



US00D668763S

(12) **United States Design Patent**  
**Schürg**

(10) **Patent No.:** **US D668,763 S**  
(45) **Date of Patent:** **\*\* Oct. 9, 2012**

(54) **HANDLE FOR ELECTRO-SURGICAL INSTRUMENT**

(75) Inventor: **Peter Schürg**, Mössingen (DE)

(73) Assignee: **Erbe Elektromedizin GmbH**, Tübingen (DE)

(\*\*) Term: **14 Years**

(21) Appl. No.: **29/394,476**

(22) Filed: **Jun. 17, 2011**

(30) **Foreign Application Priority Data**

Dec. 27, 2010 (EM) ..... 001798869

(51) **LOC (9) Cl.** ..... **24-02**

(52) **U.S. Cl.** ..... **D24/144**

(58) **Field of Classification Search** ..... D24/133,  
D24/144, 146-147, 170; 606/1, 32, 37, 39,  
606/41, 42, 45, 49-50

See application file for complete search history.

(56) **References Cited**

**U.S. PATENT DOCUMENTS**

3,799,168 A \* 3/1974 Peters ..... 606/45  
D232,591 S \* 8/1974 Haberman ..... D24/144  
D246,053 S \* 10/1977 Staub et al. .... D24/144  
D249,549 S \* 9/1978 Pike ..... D24/144  
D271,419 S \* 11/1983 Hoff ..... D24/144

D287,879 S \* 1/1987 Braxton et al. .... D24/144  
D288,359 S \* 2/1987 Hoff ..... D24/144  
D298,353 S \* 11/1988 Manno ..... D24/133  
D330,253 S \* 10/1992 Burek ..... D24/144  
5,413,575 A \* 5/1995 Haenggi ..... 606/45  
5,995,875 A \* 11/1999 Blewett et al. .... 606/41  
D453,833 S \* 2/2002 Hess ..... D24/144

\* cited by examiner

*Primary Examiner* — Wan Laymon

(74) *Attorney, Agent, or Firm* — Dickstein Shapiro LLP

(57) **CLAIM**

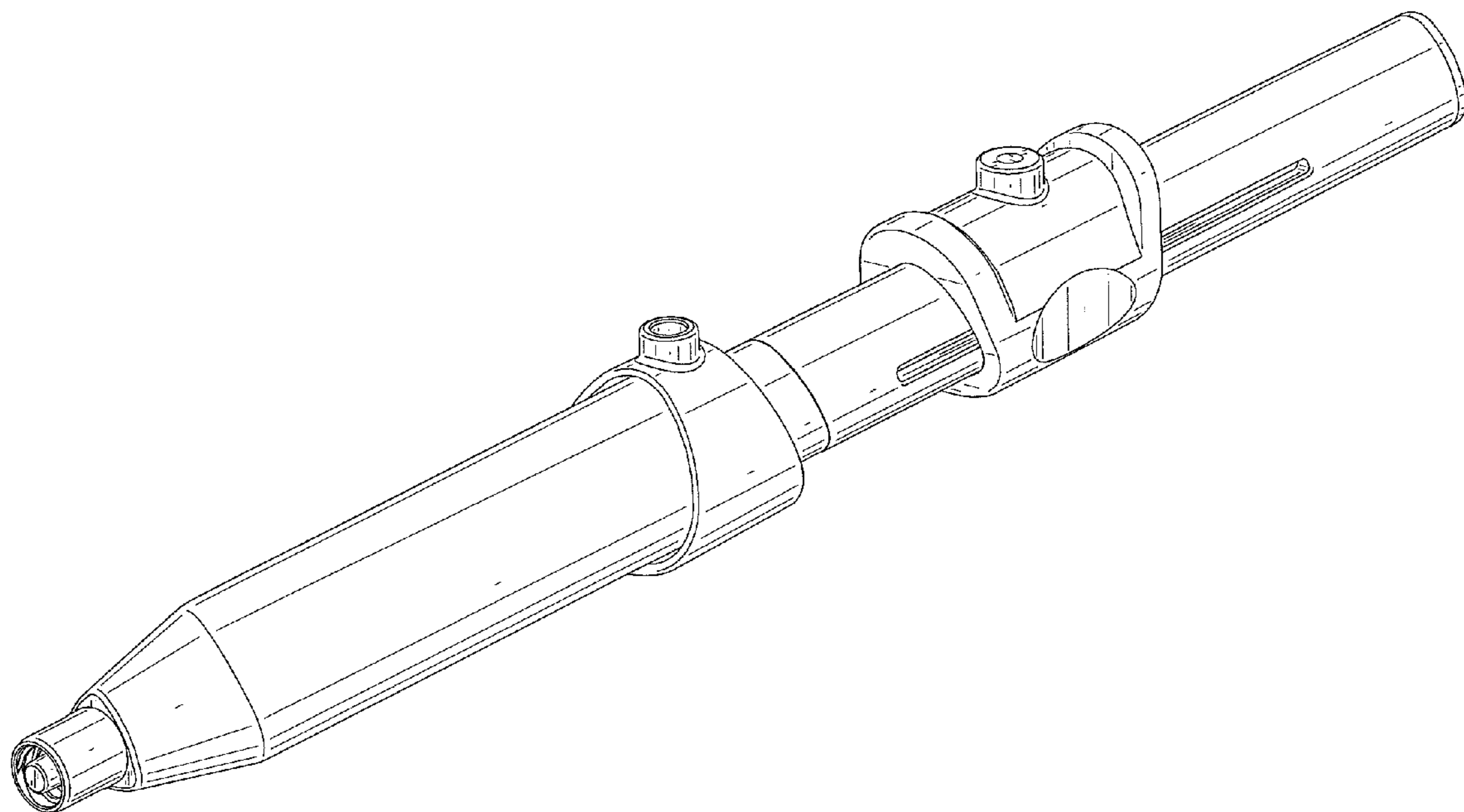
The ornamental design for handle for electro-surgical instrument, as shown and described.

**DESCRIPTION**

FIG. 1 is a front view of a handle for electro-surgical instrument, showing the new design;  
FIG. 2 is a rear view thereof;  
FIG. 3 is a top view thereof;  
FIG. 4 is a bottom view thereof;  
FIG. 5 is a left view thereof;  
FIG. 6 is a right view thereof; and,  
FIG. 7 is a perspective view thereof.

The broken lines shown in the figures represent portions of the handle for electro-surgical instrument that form no part of the claimed design.

**1 Claim, 6 Drawing Sheets**



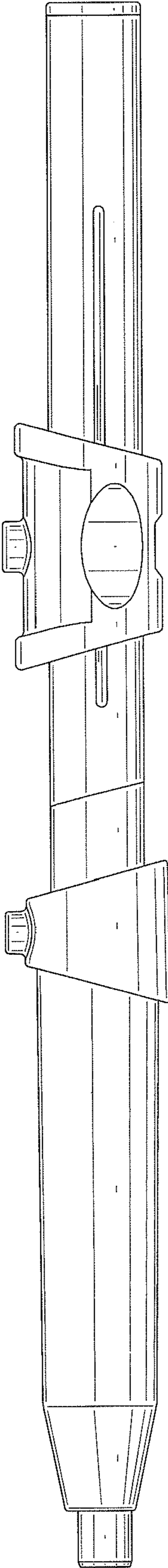


FIG. 1

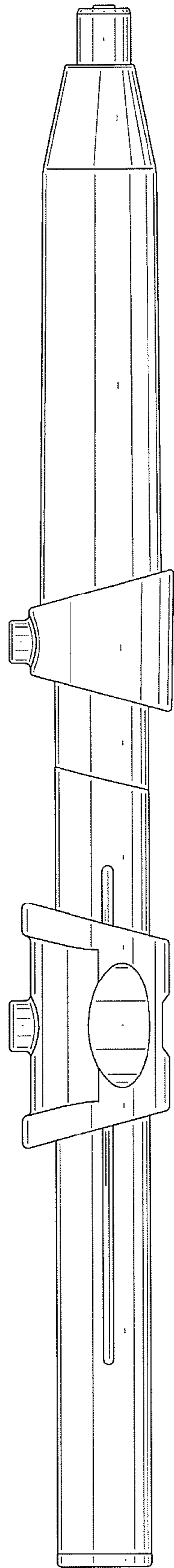


FIG. 2

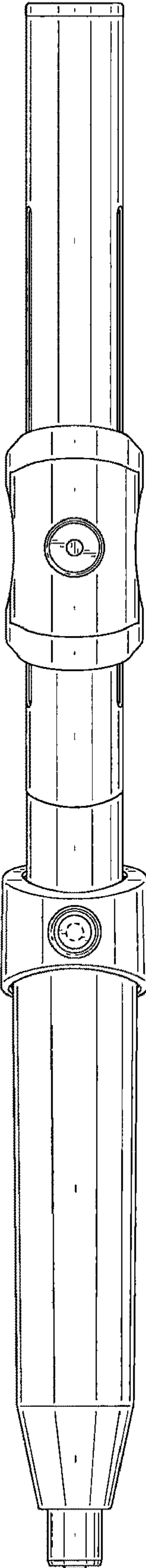


FIG. 3

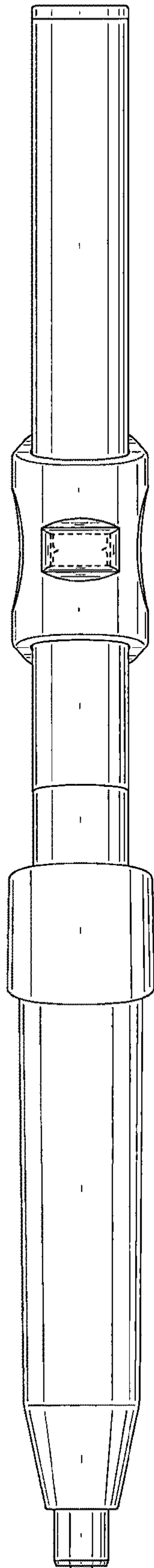


FIG. 4

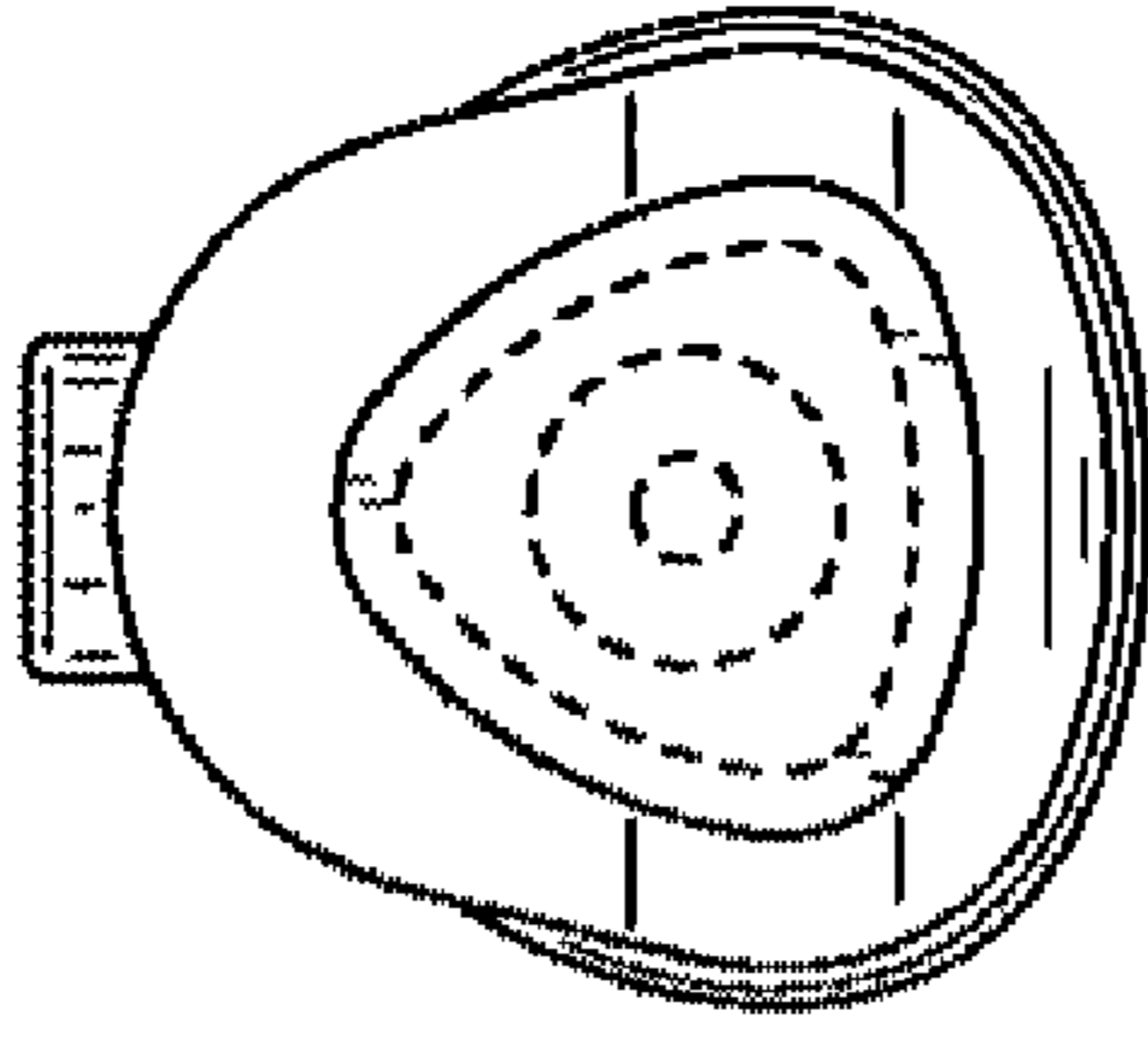


FIG. 5

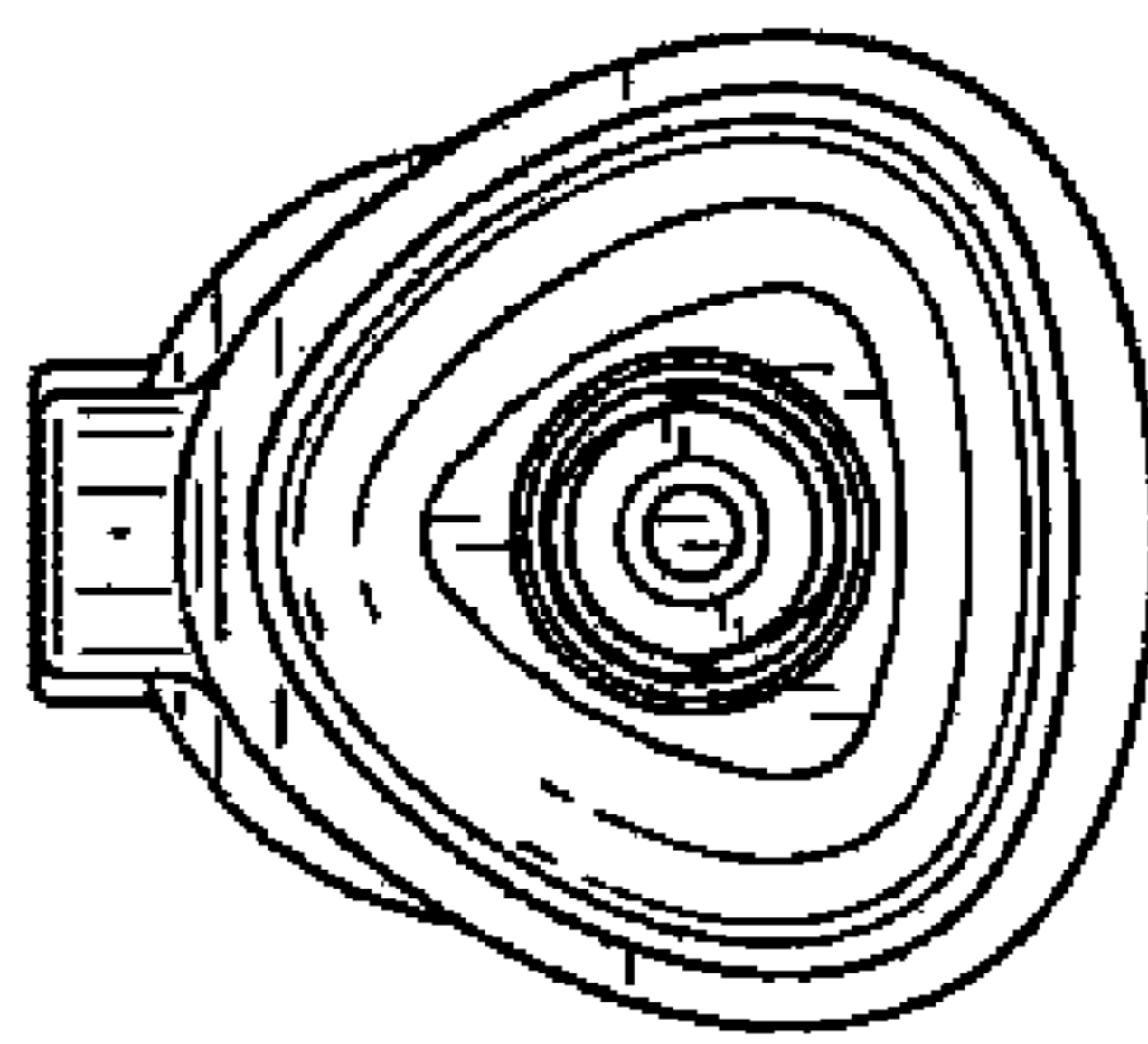


FIG. 6

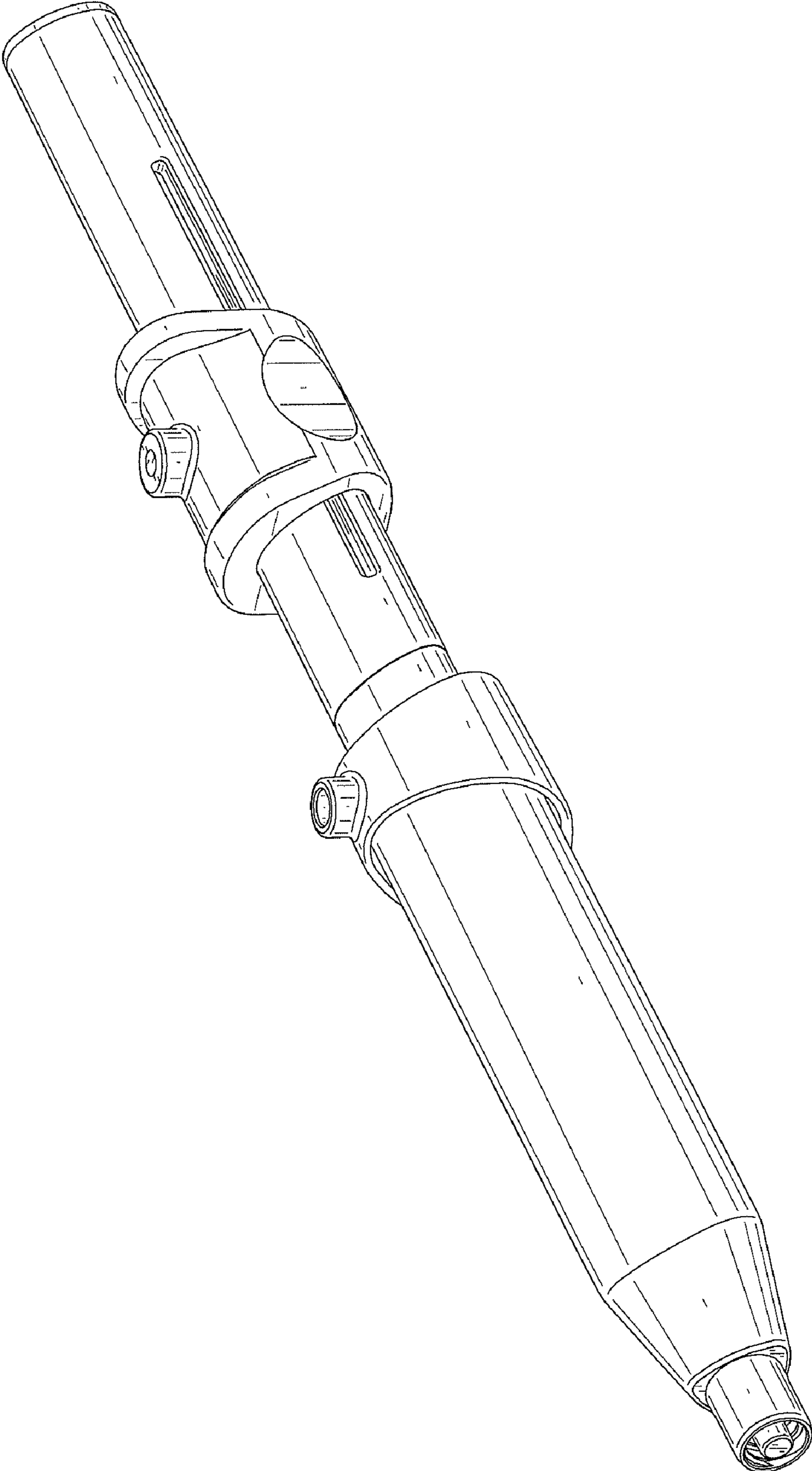


FIG. 7