



US00D668761S

(12) **United States Design Patent**
Schad

(10) **Patent No.:** **US D668,761 S**

(45) **Date of Patent:** **** Oct. 9, 2012**

(54) **HANDLE**

(75) **Inventor:** **Kurt Schad, Kolbingen (DE)**

(73) **Assignee:** **Karl Storz GmbH & Co. KG (DE)**

(**) **Term:** **14 Years**

(21) **Appl. No.:** **29/394,980**

(22) **Filed:** **Jun. 23, 2011**

(30) **Foreign Application Priority Data**

Dec. 23, 2010 (EM) 001798331-0020

(51) **LOC (9) Cl.** **24-02**

(52) **U.S. Cl.** **D24/133**

(58) **Field of Classification Search** D24/133,
D24/137, 138, 143, 144, 145, 146, 147, 148,
D24/149; D8/51, 107, 300; 606/1, 86 A,
606/86 R, 104

See application file for complete search history.

(56) **References Cited**

U.S. PATENT DOCUMENTS

D295,017 S *	4/1988	Evenson	D8/107
5,147,316 A *	9/1992	Castillenti	604/164.04
D401,334 S *	11/1998	Herman et al.	D24/133
D401,831 S *	12/1998	Moody	D8/83
D405,341 S *	2/1999	Hsu	D8/107

6,165,184 A *	12/2000	Verdura et al.	606/148
7,485,129 B2 *	2/2009	Eisenkolb	606/198
D609,550 S *	2/2010	Wan et al.	D8/307
D634,424 S *	3/2011	Morejon	D24/146
2002/0032447 A1 *	3/2002	Weikel et al.	606/86
2002/0151921 A1 *	10/2002	Kanner et al.	606/190
2004/0097929 A1 *	5/2004	Branch et al.	606/61
2005/0137607 A1 *	6/2005	Assell et al.	606/100
2006/0004398 A1 *	1/2006	Binder et al.	606/191
2007/0293788 A1 *	12/2007	Entrekin et al.	600/564
2008/0015601 A1 *	1/2008	Castro et al.	606/86

* cited by examiner

Primary Examiner — Bridget L Eland

(74) *Attorney, Agent, or Firm* — St. Onge Steward Johnston & Reens LLC

(57) **CLAIM**

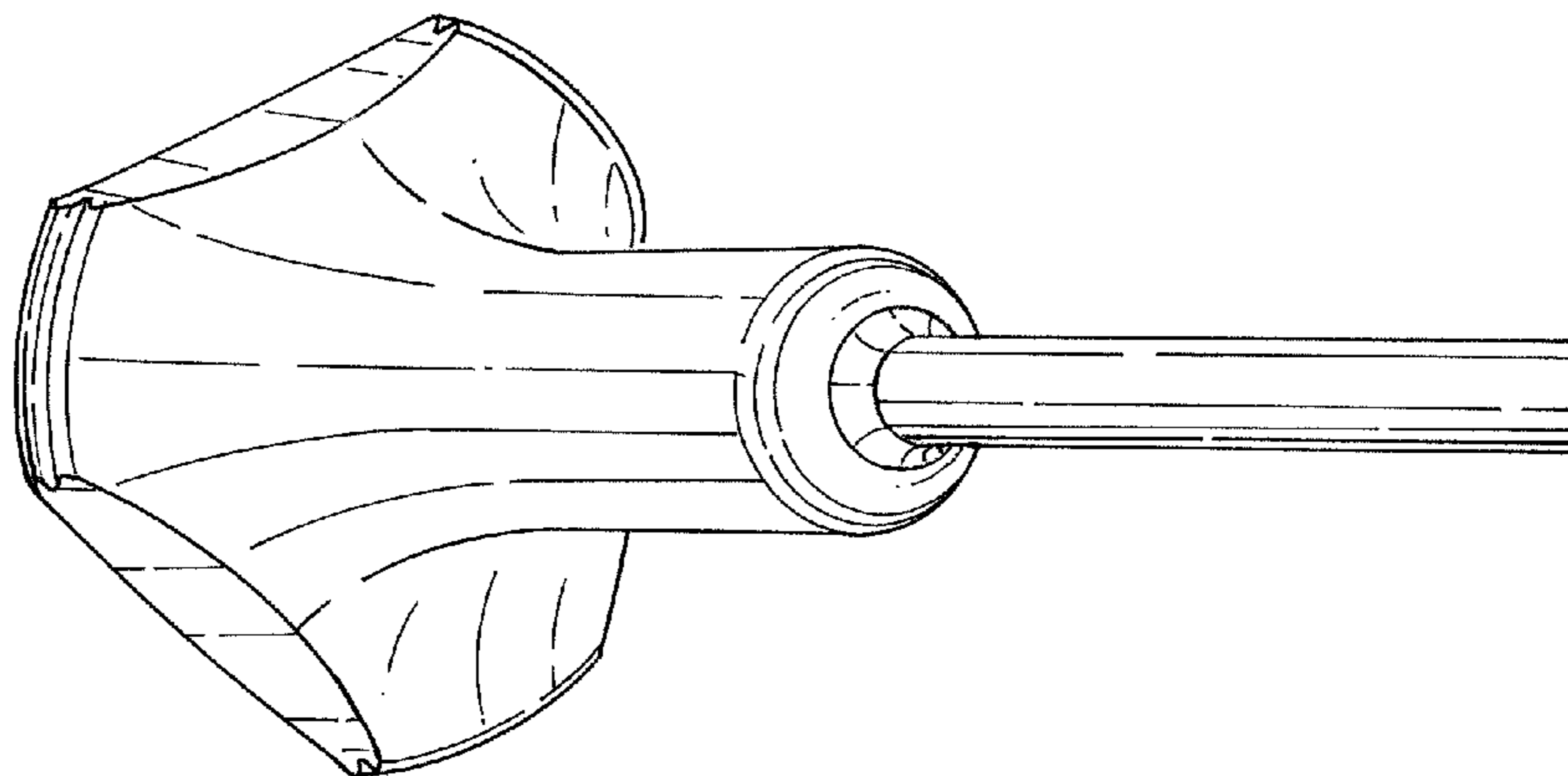
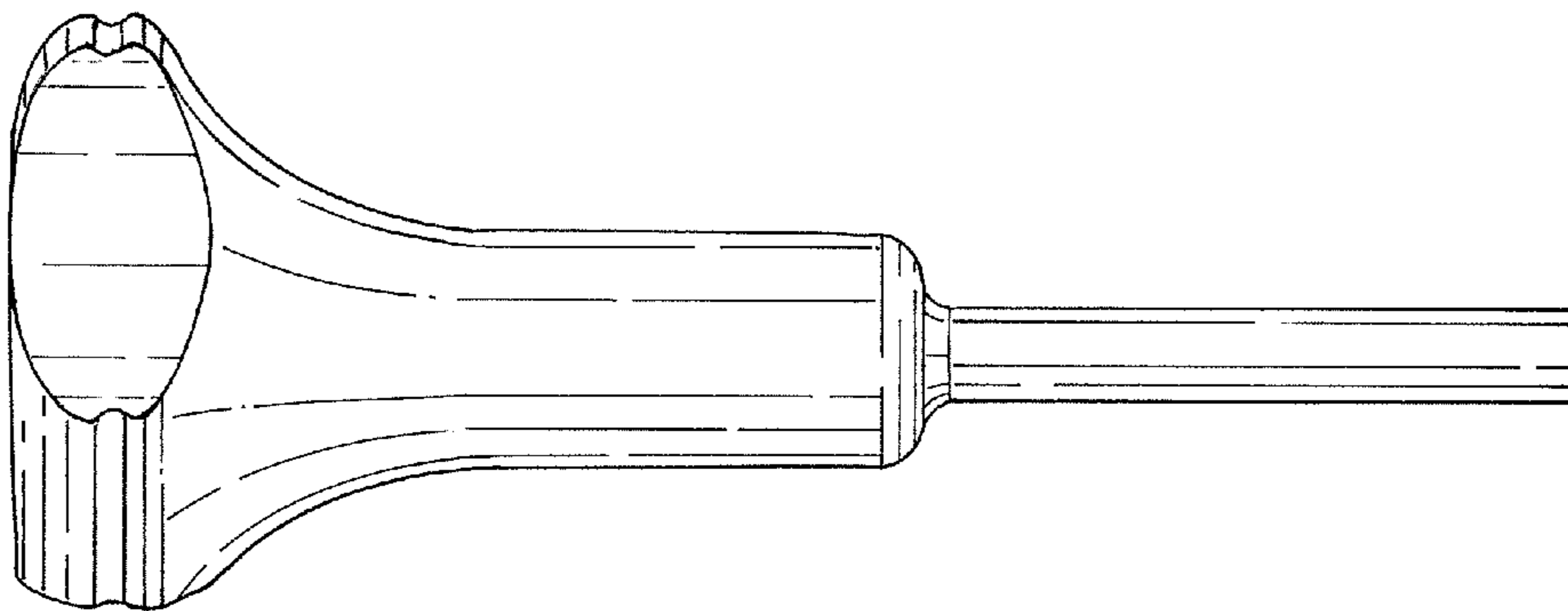
The ornamental design for a handle, as shown and described.

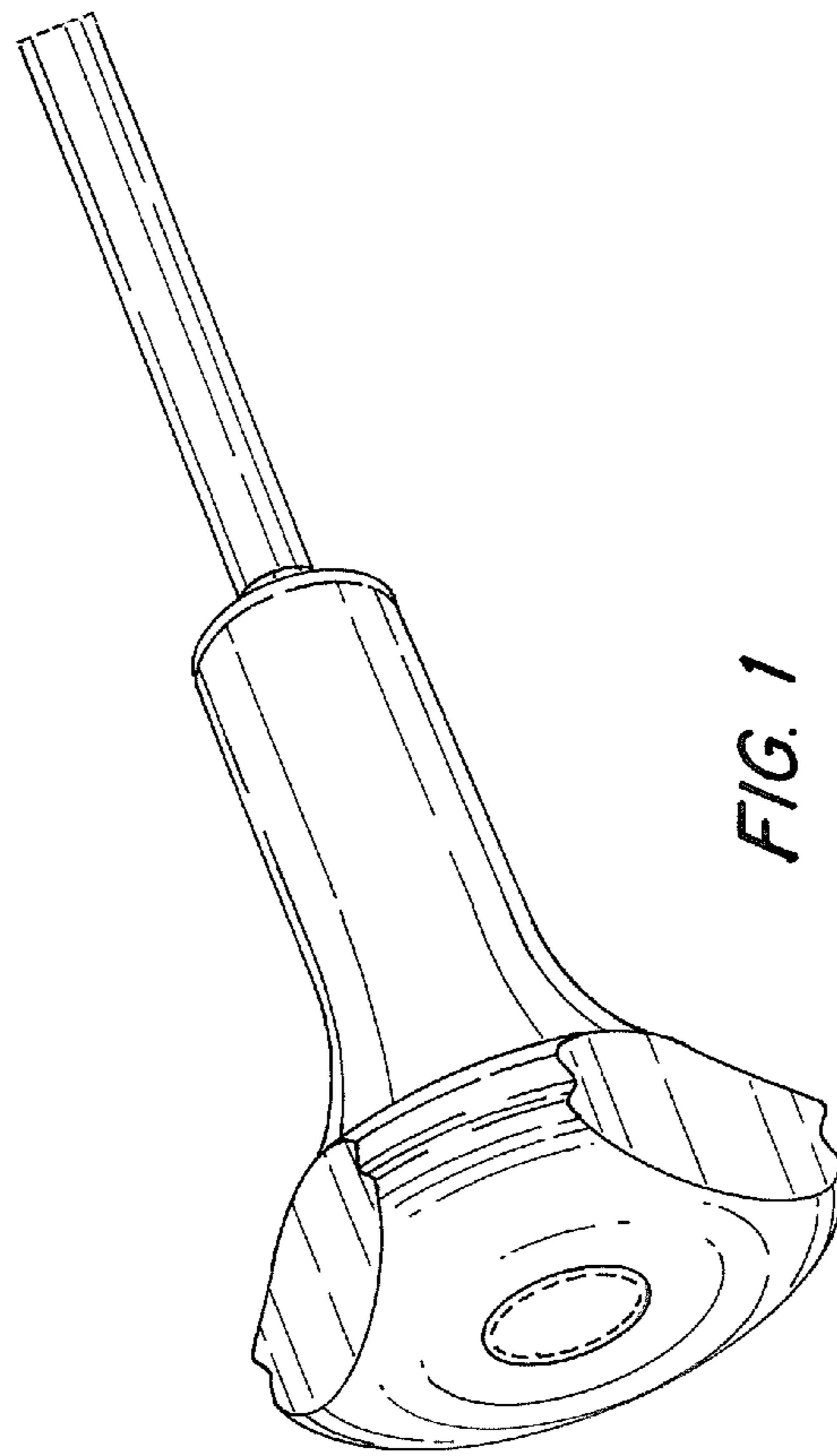
DESCRIPTION

FIG. 1 is a front right side perspective view of a resectoscope sheath in accordance with the new design; FIG. 2 is a right side isometric view thereof; FIG. 3 is a left side isometric view thereof; FIG. 4 is a top isometric view thereof; FIG. 5 is a bottom isometric view thereof; FIG. 6 is front isometric view thereof; and, FIG. 7 is rear isometric view thereof.

The broken lines shown in FIGS. 1-7 represent the bounds of the claimed design and form no part of the claimed design.

1 Claim, 7 Drawing Sheets





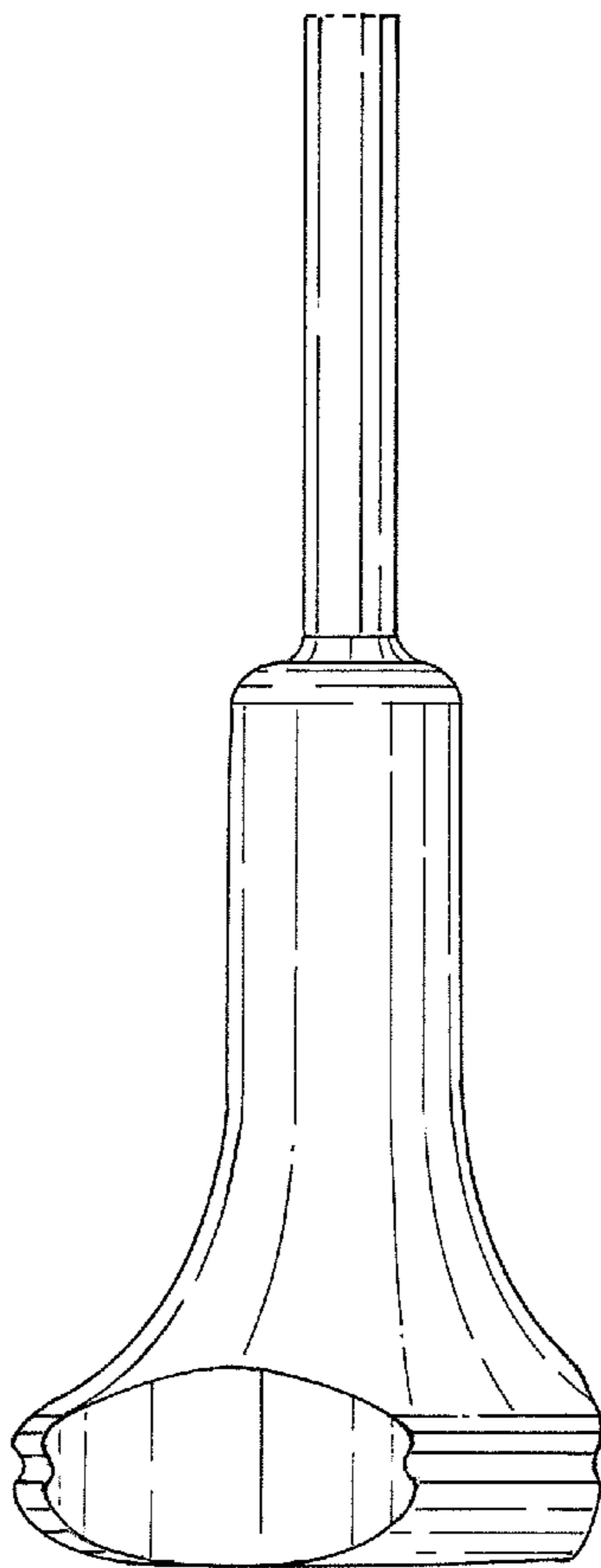


FIG. 2

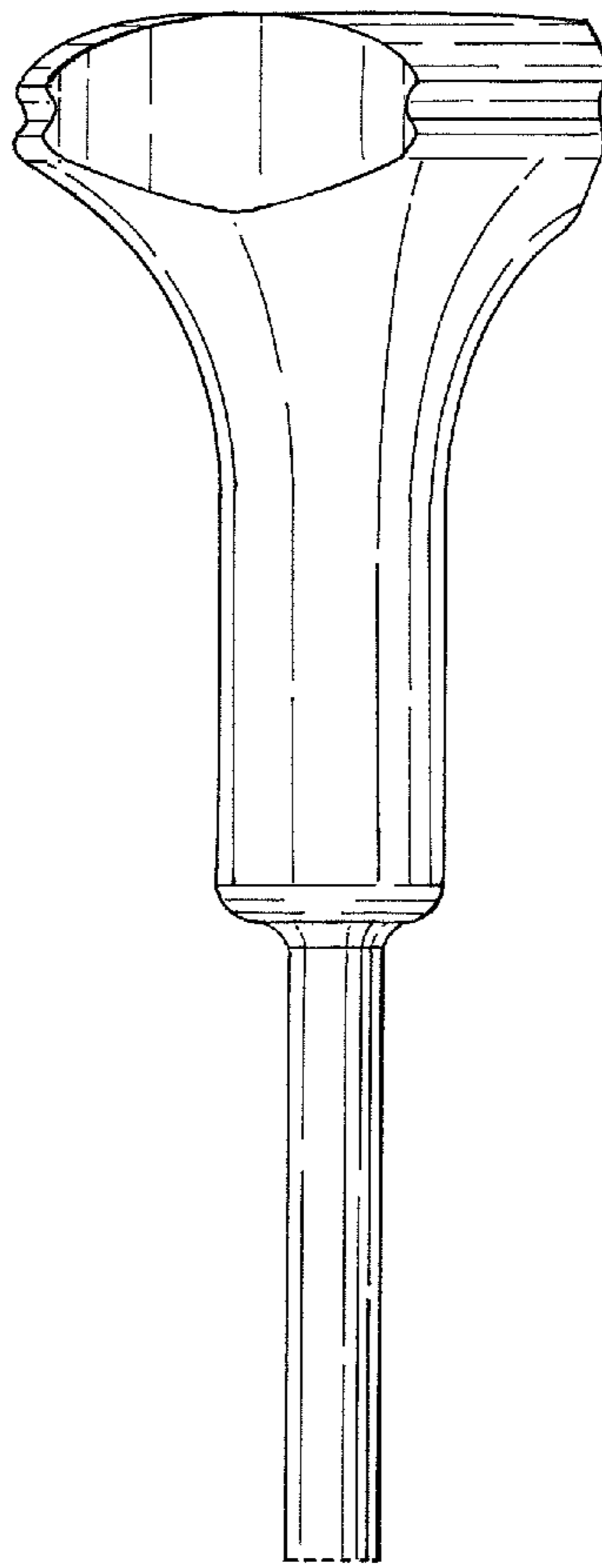


FIG. 3

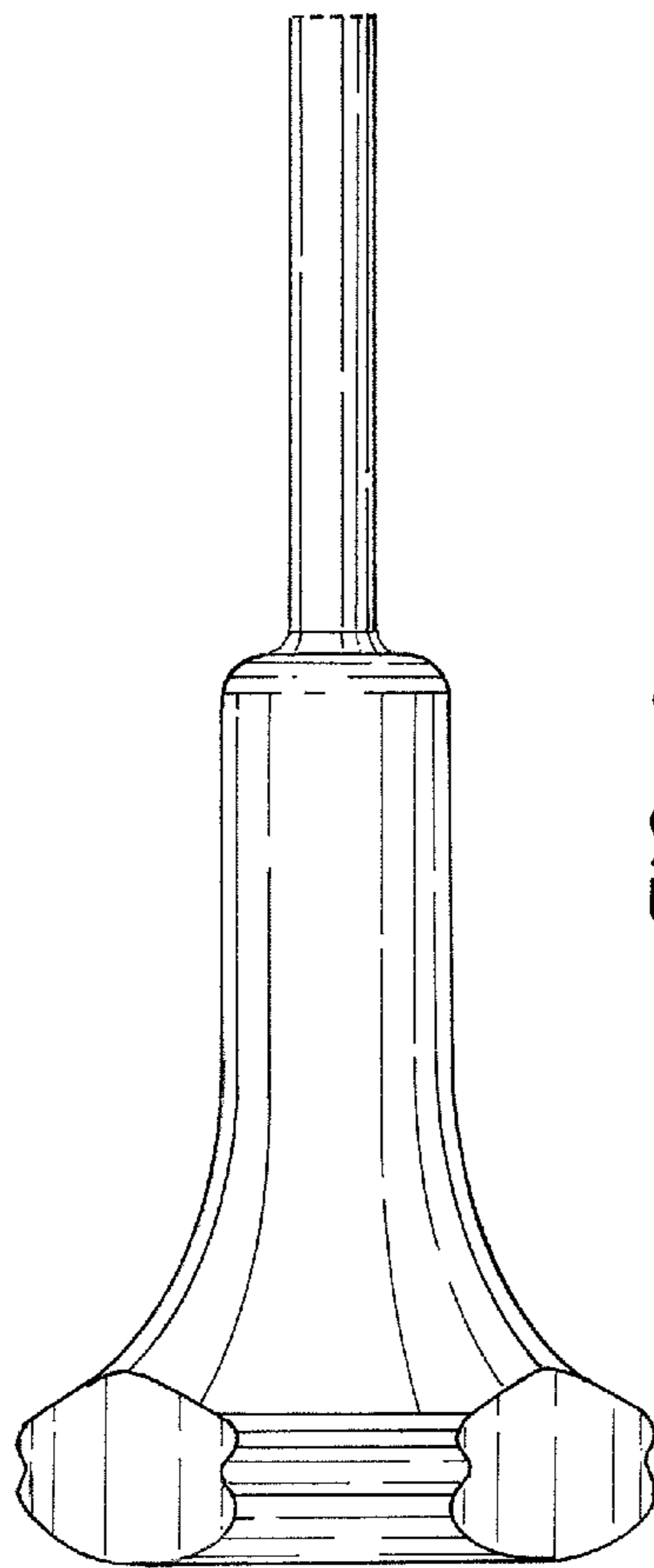


FIG. 4

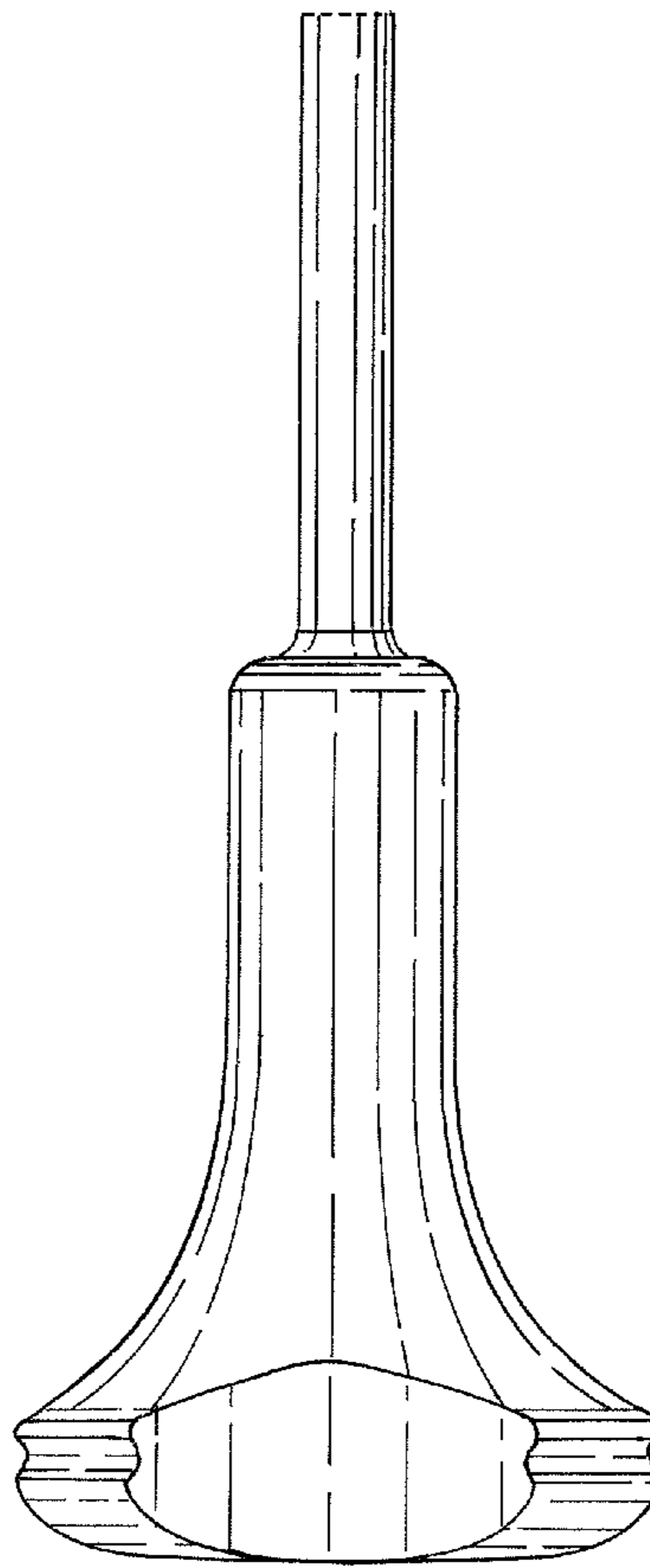


FIG. 5

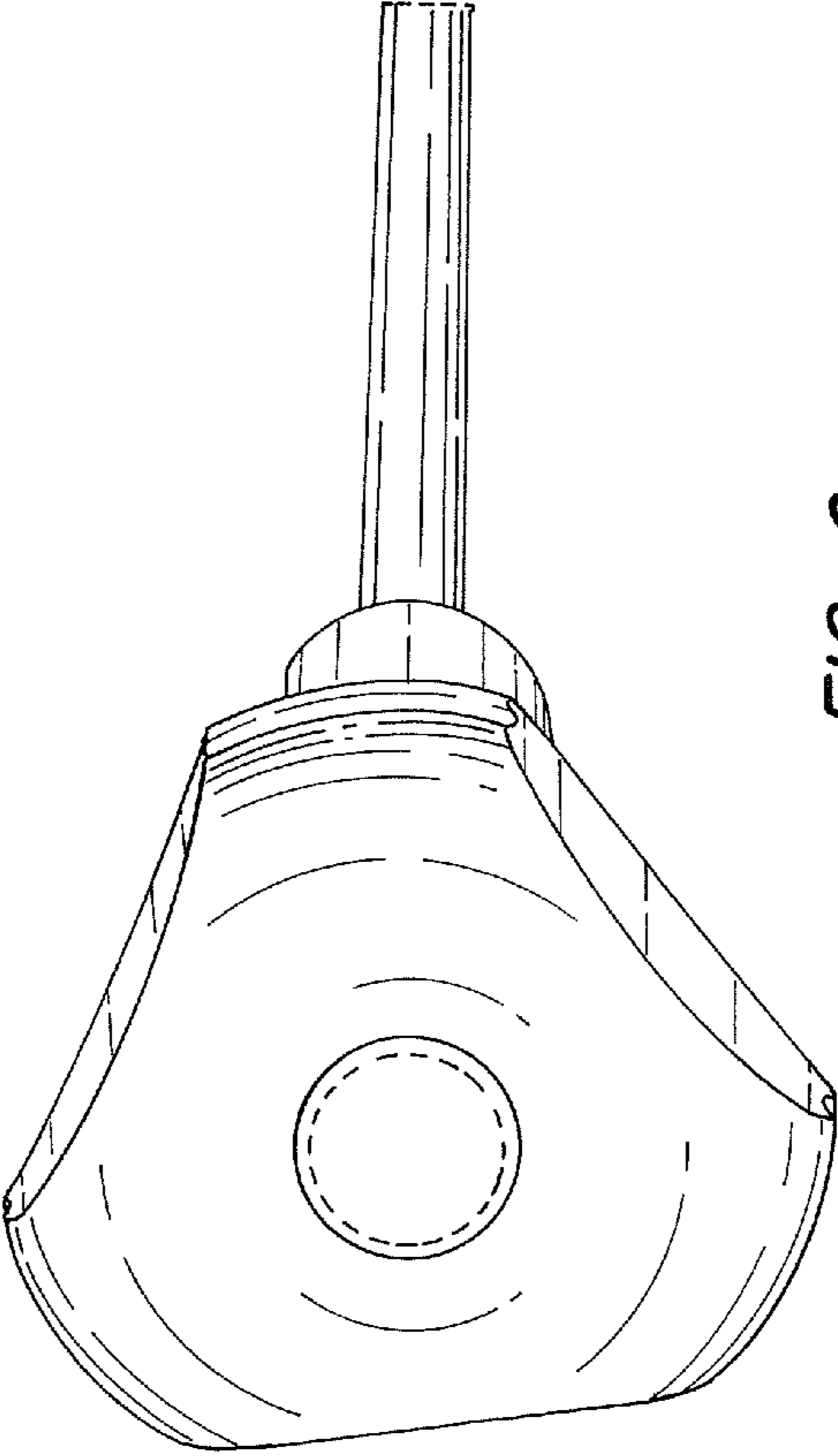


FIG. 6

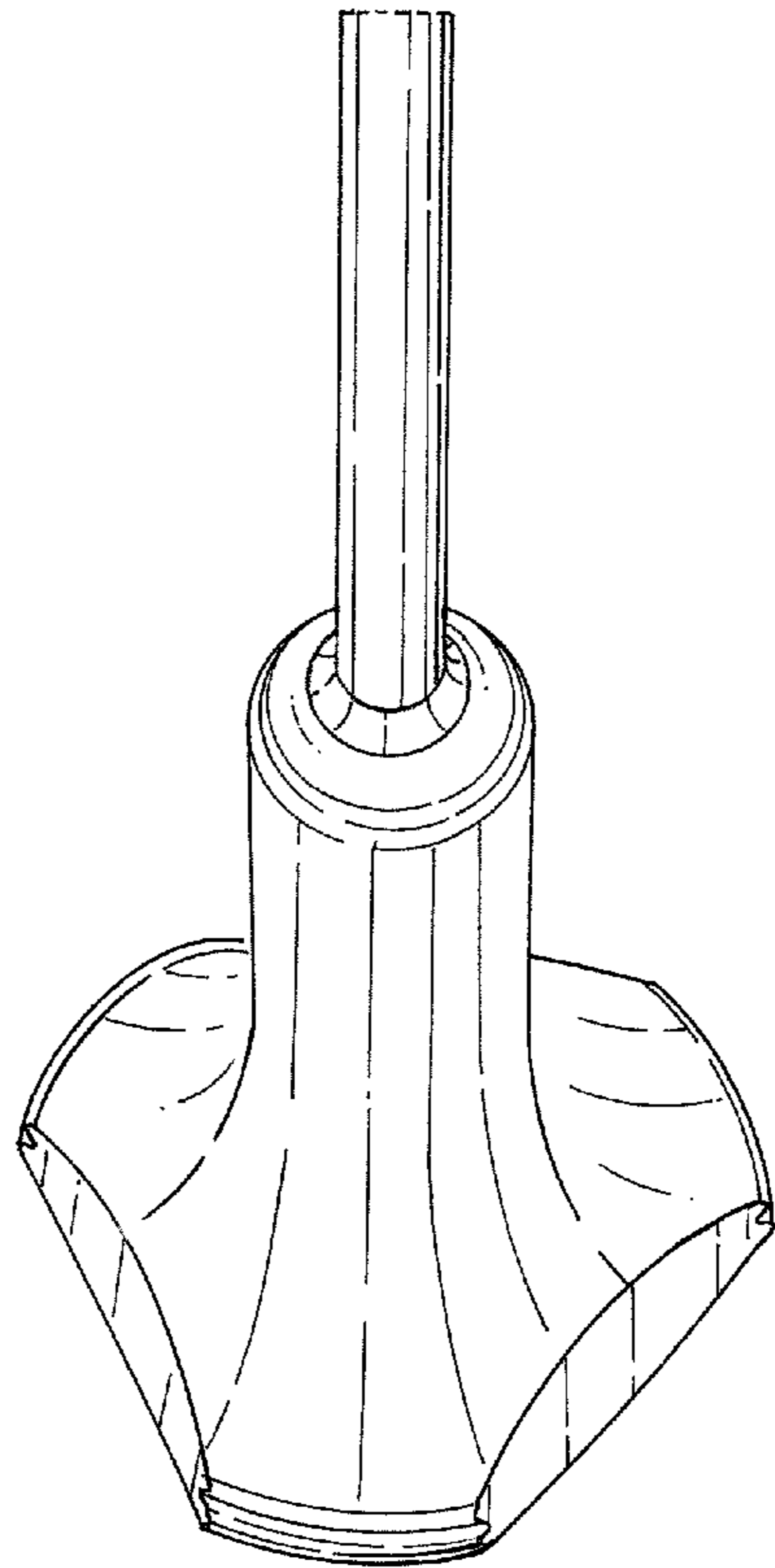


FIG. 7