



US00D668759S

(12) **United States Design Patent**
Nasir

(10) **Patent No.:** **US D668,759 S**

(45) **Date of Patent:** **** Oct. 9, 2012**

(54) **MEDICAL DEVICE**

(76) Inventor: **Muhammed Aslam Nasir**, Caddington
(GB)

(**) Term: **14 Years**

(21) Appl. No.: **29/402,009**

(22) Filed: **Sep. 19, 2011**

Related U.S. Application Data

(62) Division of application No. 29/353,658, filed on Jan. 12, 2010.

(51) **LOC (9) Cl.** **29-02**

(52) **U.S. Cl.** **D24/110.5; D24/110**

(58) **Field of Classification Search** D24/110,
D24/110.1, 110.5, 164; 128/207.14, 207.15,
128/200.26; 604/104, 174, 96.01
See application file for complete search history.

(56) **References Cited**

U.S. PATENT DOCUMENTS

| | | | | |
|-----------|---|---------|------------------|------------|
| 2,099,127 | A | 11/1937 | Leech | 128/207.15 |
| 3,734,100 | A | 5/1973 | Walker et al. | 128/351 |
| 4,509,514 | A | 4/1985 | Brain | 128/207.15 |
| 4,995,388 | A | 2/1991 | Brain | 128/207.15 |
| 5,241,956 | A | 9/1993 | Brain | 128/207.15 |
| 5,249,571 | A | 10/1993 | Brain | 128/207.14 |
| 5,282,464 | A | 2/1994 | Brain | 128/207.15 |
| 5,297,547 | A | 3/1994 | Brain | 128/207.15 |
| 5,303,697 | A | 4/1994 | Brain | 128/200.26 |
| 5,305,743 | A | 4/1994 | Brain | 128/207.15 |
| 5,355,879 | A | 10/1994 | Brain | 128/207.15 |
| 5,391,248 | A | 2/1995 | Brain | 156/242 |
| 5,477,851 | A | 12/1995 | Callaghan et al. | 128/207.15 |
| 5,584,290 | A | 12/1996 | Brain | 128/207.15 |
| 5,623,921 | A | 4/1997 | Kinsinger et al. | 128/200.26 |
| 5,632,271 | A | 5/1997 | Brain | 128/207.15 |
| 5,655,519 | A | 8/1997 | Alfery | 128/200.26 |

| | | | | |
|-----------|---|---------|---------|------------|
| 5,682,880 | A | 11/1997 | Brain | 128/207.15 |
| 5,711,293 | A | 1/1998 | Brain | 128/200.24 |
| 5,791,341 | A | 8/1998 | Bullard | 128/207.15 |
| 5,878,745 | A | 3/1999 | Brain | 128/207.15 |
| 5,881,726 | A | 3/1999 | Neame | 128/207.15 |

(Continued)

Primary Examiner — Ian Simmons

Assistant Examiner — Carissa Fitts

(74) *Attorney, Agent, or Firm* — Hayes Soloway P.C.

(57) **CLAIM**

I claim the ornamental design for a medical device, as shown and described.

DESCRIPTION

FIG. 1 is front plan view of a medical device in accordance with a first embodiment of my invention;

FIG. 2 is a rear plan view of the embodiment shown in FIG. 1;

FIG. 3 is a side elevational view of the embodiment shown in FIG. 1, the other side being a mirror image thereof;

FIG. 4 is a top plan view of the embodiment shown in FIG. 1;

FIG. 5 is a bottom plan view of the embodiment shown in FIG. 1;

FIG. 6 is a front plan view of a medical device in accordance with a second embodiment of my invention;

FIG. 7 is a rear plan view of the embodiment shown in FIG. 6;

FIG. 8 is a side elevational view of the embodiment shown in FIG. 6, the other side being a mirror image thereof;

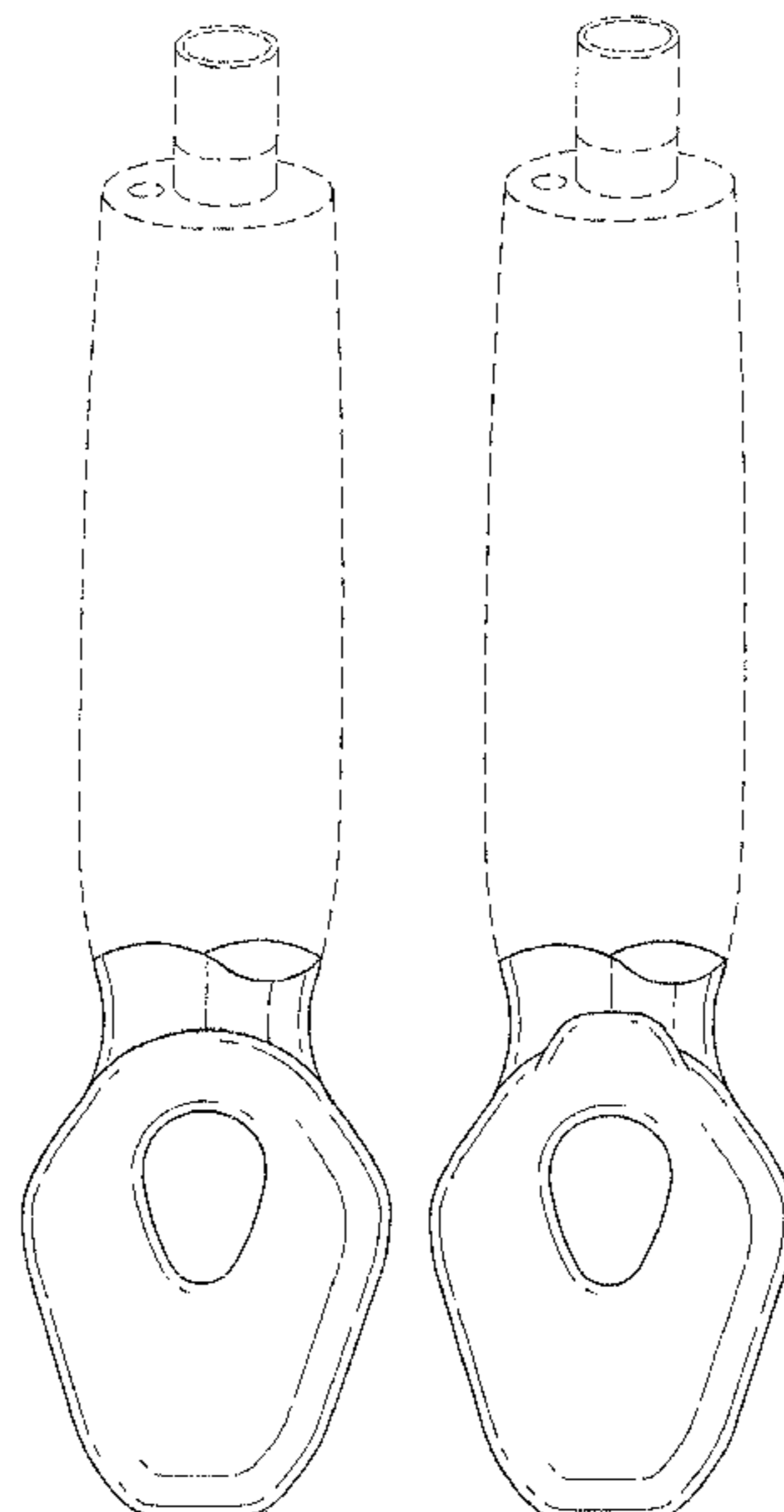
FIG. 9 is top plan view of the embodiment shown in FIG. 6; and,

FIG. 10 is a bottom plan view of the embodiment shown in FIG. 6.

The broken lines showing the medical device are for illustrative purposes only and form no part of the claimed design.

The broken lines in FIGS. 4 and 9 illustrate environmental structure of the medical device, which forms no part of the claimed design.

1 Claim, 2 Drawing Sheets



US D668,759 S

Page 2

U.S. PATENT DOCUMENTS

| | | | | | | | | | |
|-----------|------|---------|------------------|------------|--------------|------|---------|--------------|------------|
| 5,896,858 | A | 4/1999 | Brain | 128/207.15 | 7,096,868 | B2 * | 8/2006 | Tateo et al. | 128/207.15 |
| 5,921,988 | A | 7/1999 | Legrand | 606/87 | 7,134,431 | B2 | 11/2006 | Brain | 128/200.26 |
| 5,937,859 | A | 8/1999 | Augustine et al. | 128/207.15 | 7,263,998 | B2 | 9/2007 | Miller | 128/207.15 |
| 5,937,860 | A | 8/1999 | Cook | 128/207.15 | RE39,938 | E * | 12/2007 | Brain | 128/207.15 |
| 5,964,217 | A | 10/1999 | Christopher | 128/200.26 | 7,305,985 | B2 * | 12/2007 | Brain | 128/200.26 |
| 5,979,445 | A | 11/1999 | Neame et al. | 128/207.15 | D611,138 | S | 3/2010 | Nasir | D24/110.5 |
| 5,988,167 | A | 11/1999 | Kamen | 128/207.15 | D615,188 | S | 5/2010 | Nasir | D24/110.5 |
| 6,003,514 | A | 12/1999 | Pagan | 128/207.15 | D618,788 | S | 6/2010 | Dubach | D24/110.5 |
| 6,055,984 | A | 5/2000 | Brain | 128/207.14 | 7,806,119 | B2 | 10/2010 | Nasir | 128/205.25 |
| 6,070,581 | A | 6/2000 | Augustine et al. | 128/207.15 | 2001/0015207 | A1 | 8/2001 | Pagan | 128/207.15 |
| 6,079,409 | A | 6/2000 | Brain | 128/200.26 | 2002/0010417 | A1 | 1/2002 | Bertram | 604/96.01 |
| D429,811 | S | 8/2000 | Bermudez | D24/110.5 | 2002/0078961 | A1 | 6/2002 | Collins | 128/207.15 |
| 6,095,144 | A | 8/2000 | Pagan | 128/207.15 | 2002/0112728 | A1 | 8/2002 | Landuyt | 128/207.15 |
| 6,152,136 | A | 11/2000 | Pagan | 128/207.15 | 2002/0170556 | A1 | 11/2002 | Gaitini | 128/200.14 |
| 6,280,675 | B1 | 8/2001 | Legrand | 264/262 | 2003/0037790 | A1 | 2/2003 | Brain | 128/207.14 |
| 6,318,367 | B1 | 11/2001 | Mongeon | 128/207.15 | 2003/0066532 | A1 | 4/2003 | Gobel | 128/207.15 |
| 6,439,232 | B1 | 8/2002 | Brain | 128/207.15 | 2003/0101998 | A1 | 6/2003 | Zocca et al. | 128/207.15 |
| 6,474,332 | B2 | 11/2002 | Arndt | 128/200.26 | 2003/0136413 | A1 | 7/2003 | Brain et al. | 128/207.15 |
| 6,604,525 | B2 | 8/2003 | Pagan | 128/207.15 | 2003/0172925 | A1 | 9/2003 | Zocca et al. | 128/202.22 |
| 6,631,720 | B1 | 10/2003 | Brain | 128/207.14 | 2003/0172933 | A1 | 9/2003 | Nimmo | 128/207.14 |
| 6,679,263 | B2 | 1/2004 | Luchetti et al. | 128/207.15 | 2004/0020488 | A1 | 2/2004 | Kniewasser | 128/204.18 |
| 6,698,430 | B2 | 3/2004 | Van Landuyt | 128/207.15 | 2004/0020491 | A1 | 2/2004 | Fortuna | 128/207.15 |
| 6,705,318 | B1 | 3/2004 | Brain | 128/207.14 | 2005/0051173 | A1 | 3/2005 | Brain | 128/207.14 |
| 6,792,948 | B2 | 9/2004 | Brain | 128/207.14 | 2005/0051175 | A1 | 3/2005 | Brain | 128/207.14 |
| 6,918,388 | B2 | 7/2005 | Brain | 128/200.26 | 2005/0066975 | A1 | 3/2005 | Brain | 128/207.15 |
| 7,004,169 | B2 * | 2/2006 | Brain | 128/207.14 | 2005/0081861 | A1 | 4/2005 | Nasir | 128/207.14 |
| D518,572 | S | 4/2006 | Nasir | D24/110.5 | 2005/0103345 | A1 | 5/2005 | Brain | 128/207.15 |
| D518,890 | S | 4/2006 | Nasir | D24/110.5 | 2006/0081245 | A1 | 4/2006 | Gould | 128/200.26 |
| 7,040,312 | B2 | 5/2006 | Alfery et al. | 128/200.26 | 2006/0207601 | A1 | 9/2006 | Nasir | 128/207.14 |
| 7,047,973 | B2 | 5/2006 | Chang | 128/207.15 | | | | | |

* cited by examiner

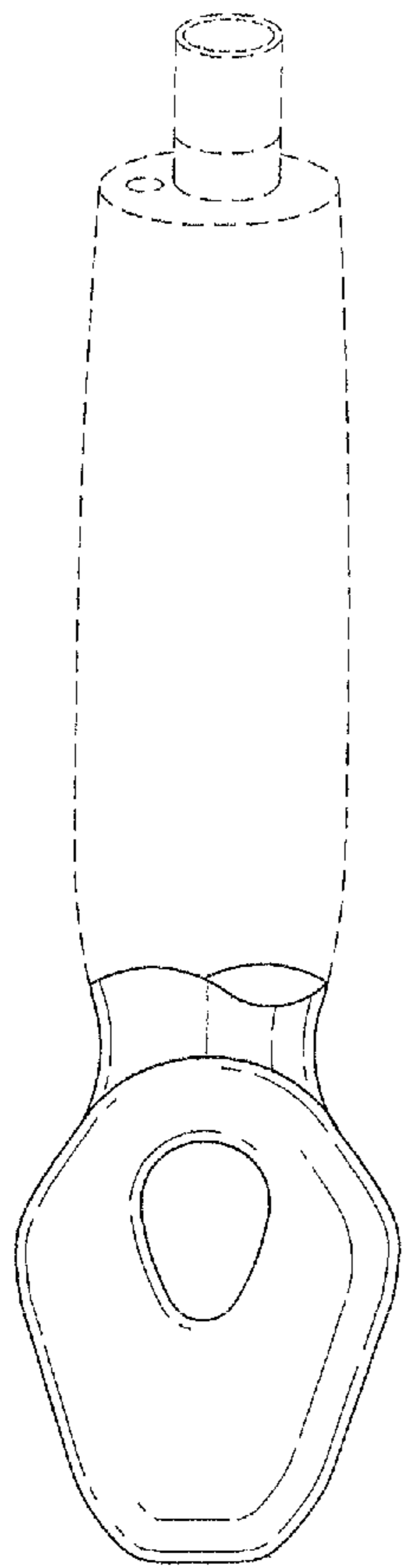


Fig.1

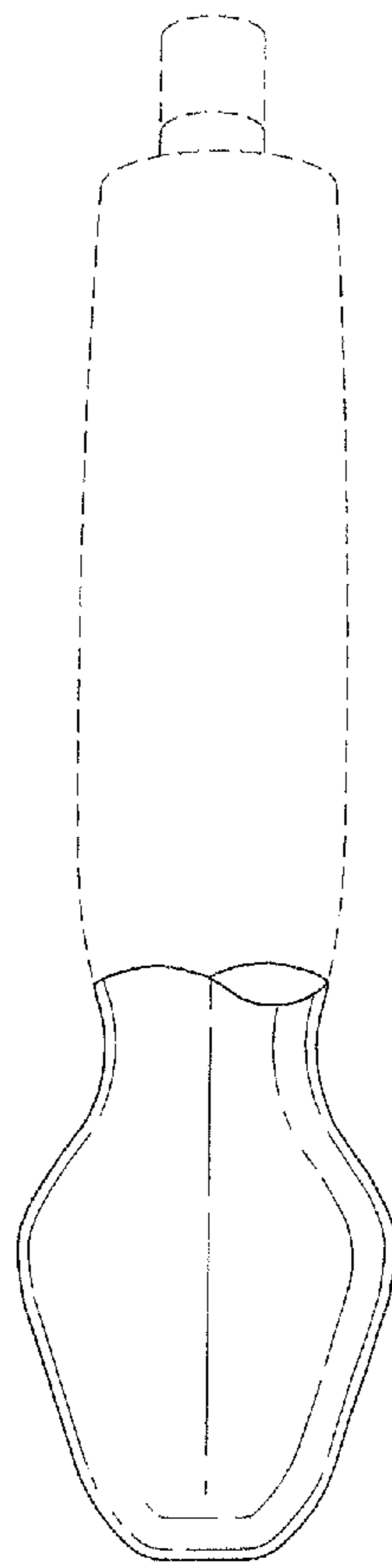


Fig.2



Fig.3

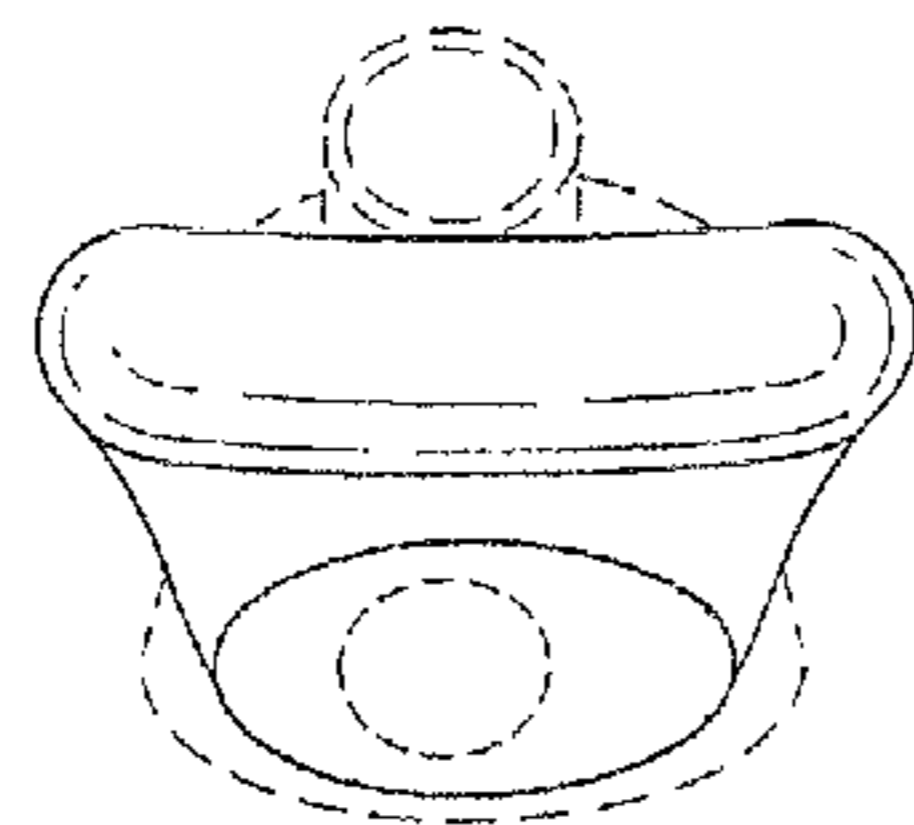


Fig.4

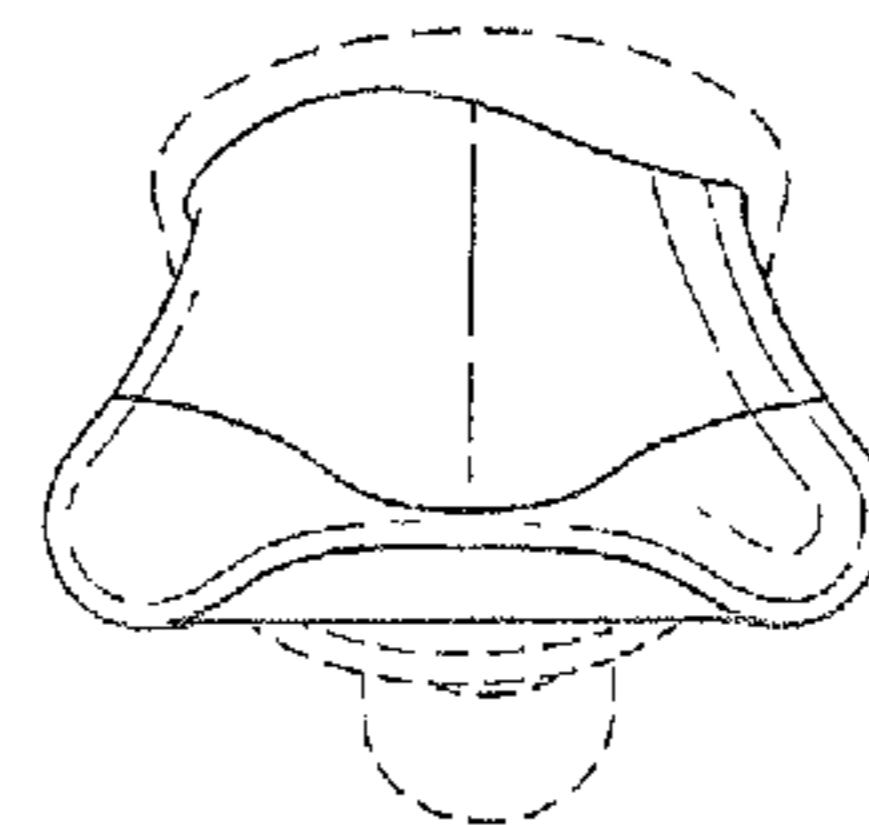


Fig.5

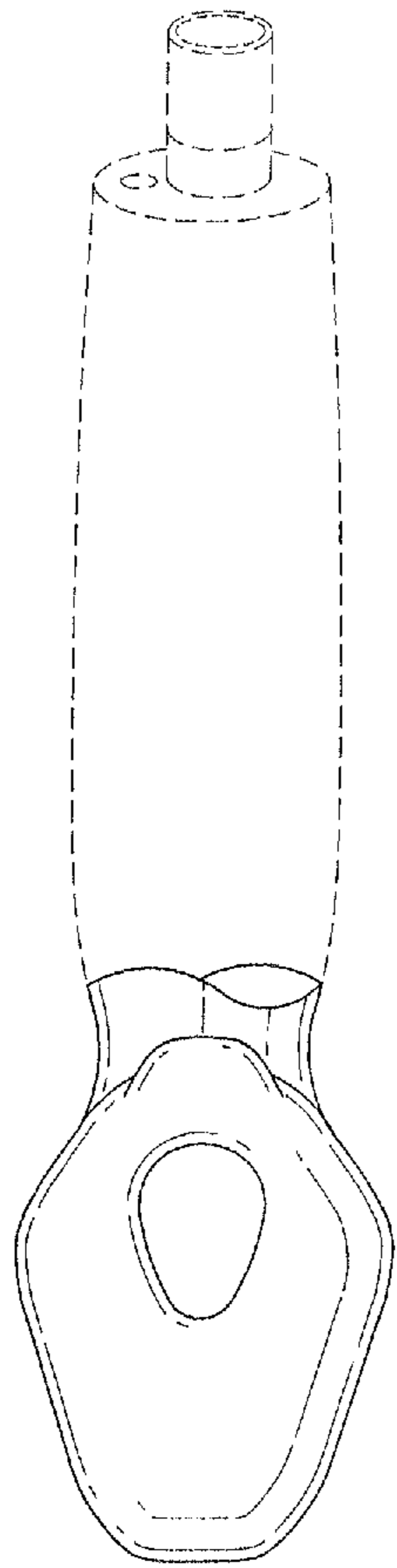


Fig. 6

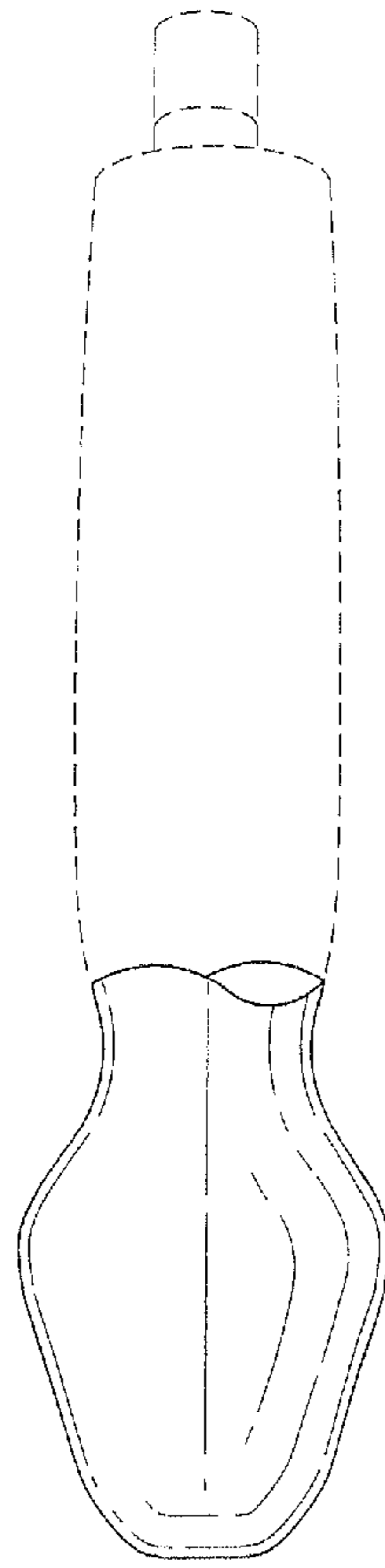


Fig. 7



Fig. 8

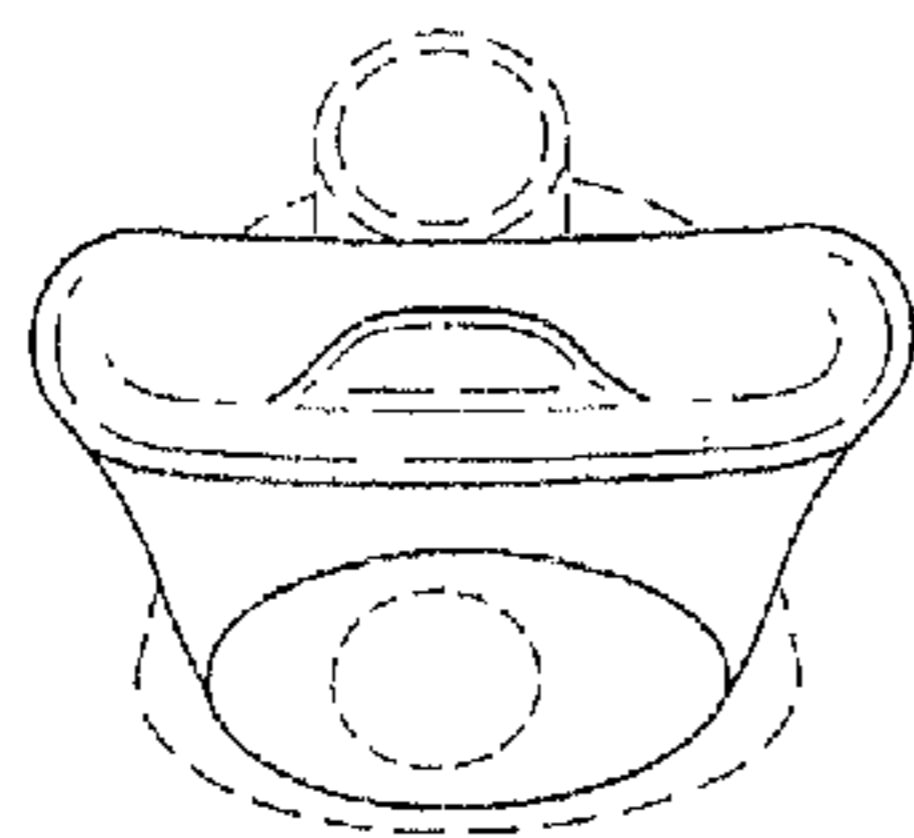


Fig. 9

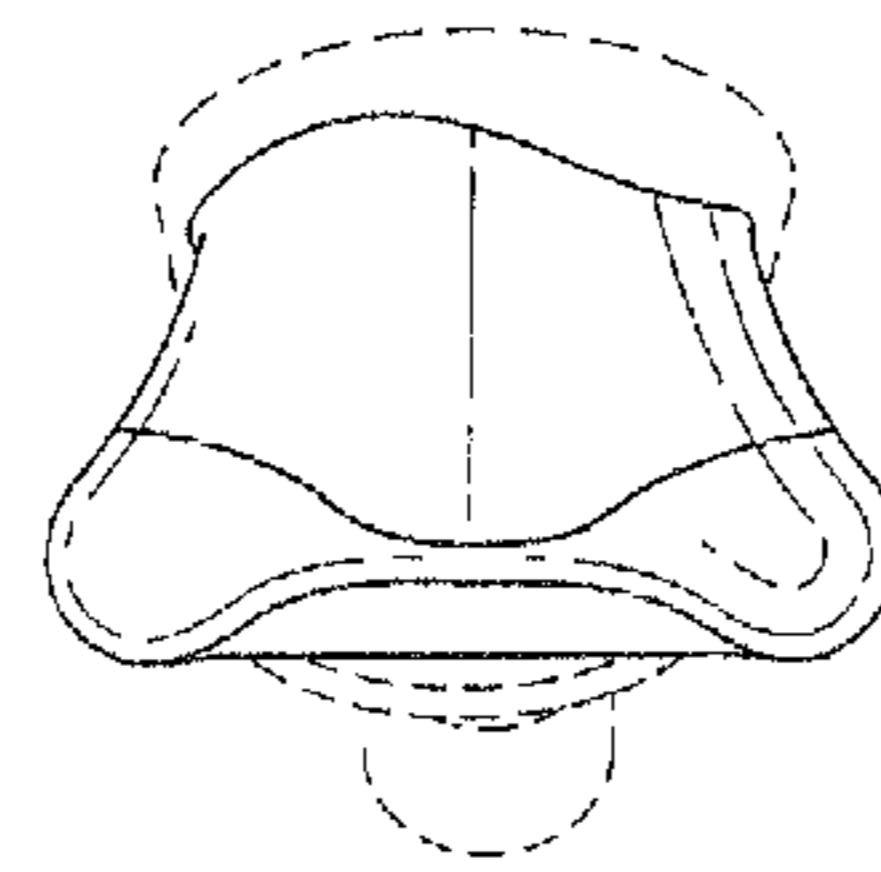


Fig. 10