

US00D668751S

(12) **United States Design Patent**  
**Fitton et al.**

(10) **Patent No.:** **US D668,751 S**  
(45) **Date of Patent:** **\*\* Oct. 9, 2012**

(54) **FILTER**

(75) Inventors: **Nicholas Gerald Fitton**, Malmesbury (GB); **Kevin John Simmonds**, Malmesbury (GB)

(73) Assignee: **Dyson Limited**, Malmesbury, Wiltshire (GB)

(\*\*) Term: **14 Years**

(21) Appl. No.: **29/385,598**

(22) Filed: **Feb. 16, 2011**

(30) **Foreign Application Priority Data**

Sep. 11, 2010 (GB) ..... 4016990

(51) **LOC (9) Cl.** ..... **23-04**

(52) **U.S. Cl.** ..... **D23/365**

(58) **Field of Classification Search** ..... D23/365, D23/209, 363, 358, 386, 354, 341, 364; 55/356, 55/385.3, 502, 497, 506, 505, 521, 495, 422, 55/493, DIG. 30; 210/435, 130, 136, 248, 210/339, 448, 452, 497.1; D32/31; D15/5  
See application file for complete search history.

(56) **References Cited**

**U.S. PATENT DOCUMENTS**

4,419,110 A \* 12/1983 Ansite et al. .... 55/356  
4,647,373 A \* 3/1987 Tokar et al. .... 210/232  
4,822,386 A \* 4/1989 Duchesneau ..... 55/502

5,275,636 A \* 1/1994 Dudley et al. .... 55/385.3  
D393,705 S \* 4/1998 Dure ..... D23/365  
D403,414 S \* 12/1998 Shelton et al. .... D23/365  
D410,064 S \* 5/1999 Hunter et al. .... D23/209  
D440,294 S \* 4/2001 Bilek ..... D23/365  
D466,969 S \* 12/2002 Druga ..... D23/209  
D517,183 S \* 3/2006 Huang ..... D23/365  
D541,399 S \* 4/2007 Khalil ..... D23/365  
7,374,595 B2 \* 5/2008 Gierer ..... 55/502  
7,964,011 B2 \* 6/2011 DeLillo ..... 55/505

\* cited by examiner

*Primary Examiner* — David Muller

(74) *Attorney, Agent, or Firm* — Morrison & Foerster LLP

(57) **CLAIM**

We claim the ornamental design for a filter, as shown and described.

**DESCRIPTION**

FIG. 1 is a perspective view of a filter showing our new design;

FIG. 2 is a front view thereof;

FIG. 3 is a rear view thereof;

FIG. 4 is a side view thereof;

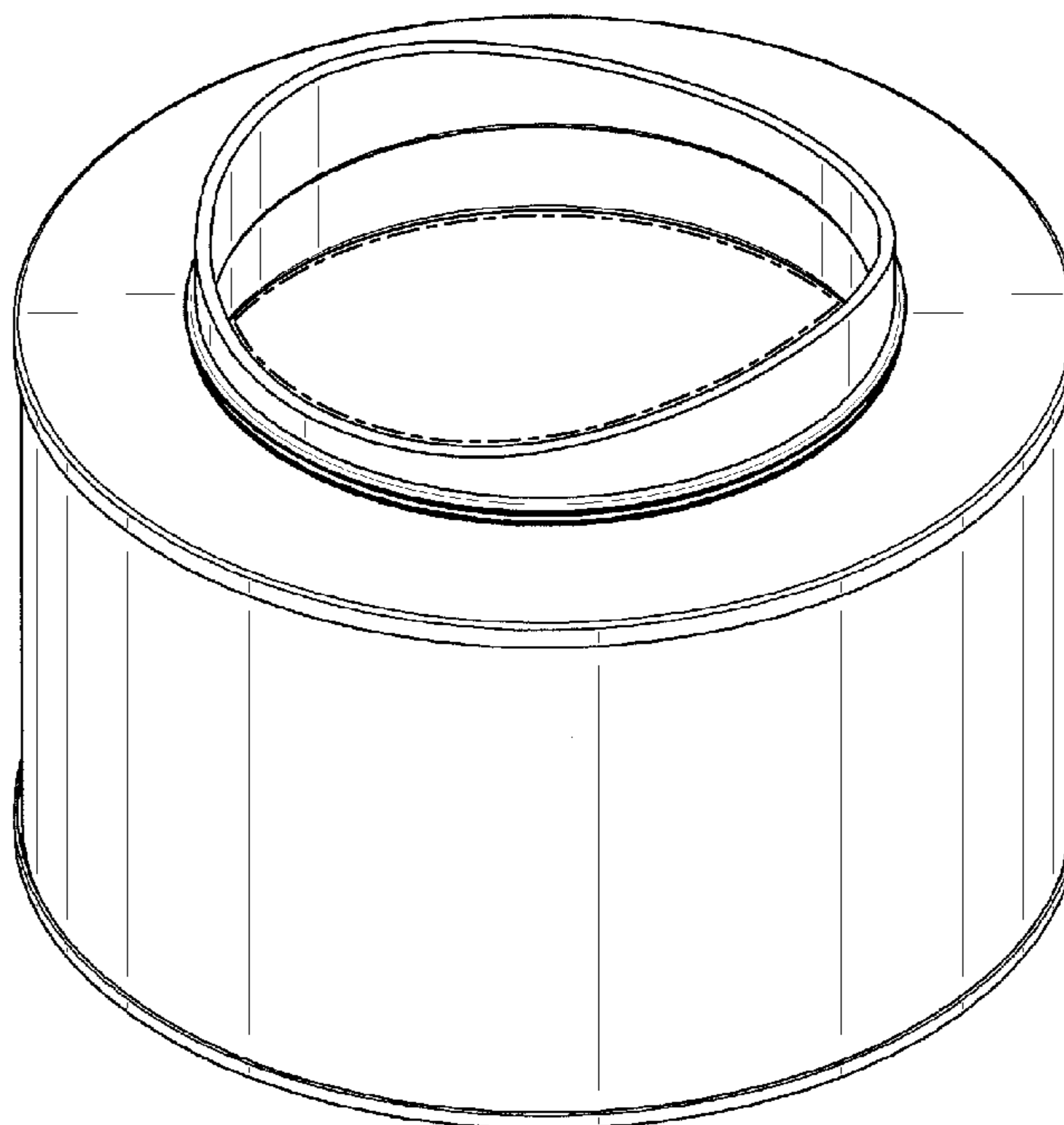
FIG. 5 is a side view from the side opposite that of FIG. 4;

FIG. 6 is a plan view thereof from above; and,

FIG. 7 is a plan view thereof from below.

The dash dot lines immediately adjacent to the claimed areas in FIG. 1 represent the boundaries of the claimed design and form no part of the claimed design.

**1 Claim, 7 Drawing Sheets**



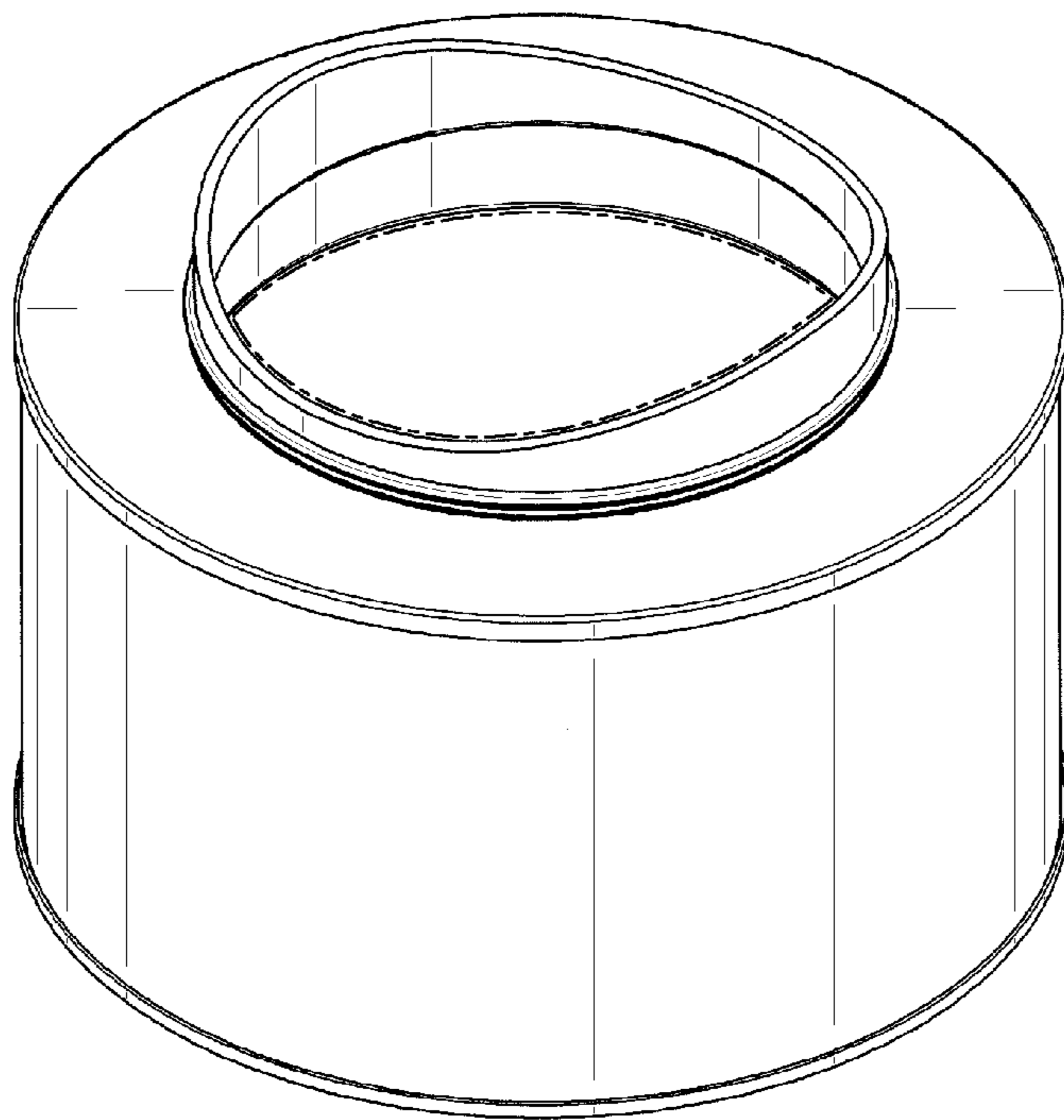


FIG. 1

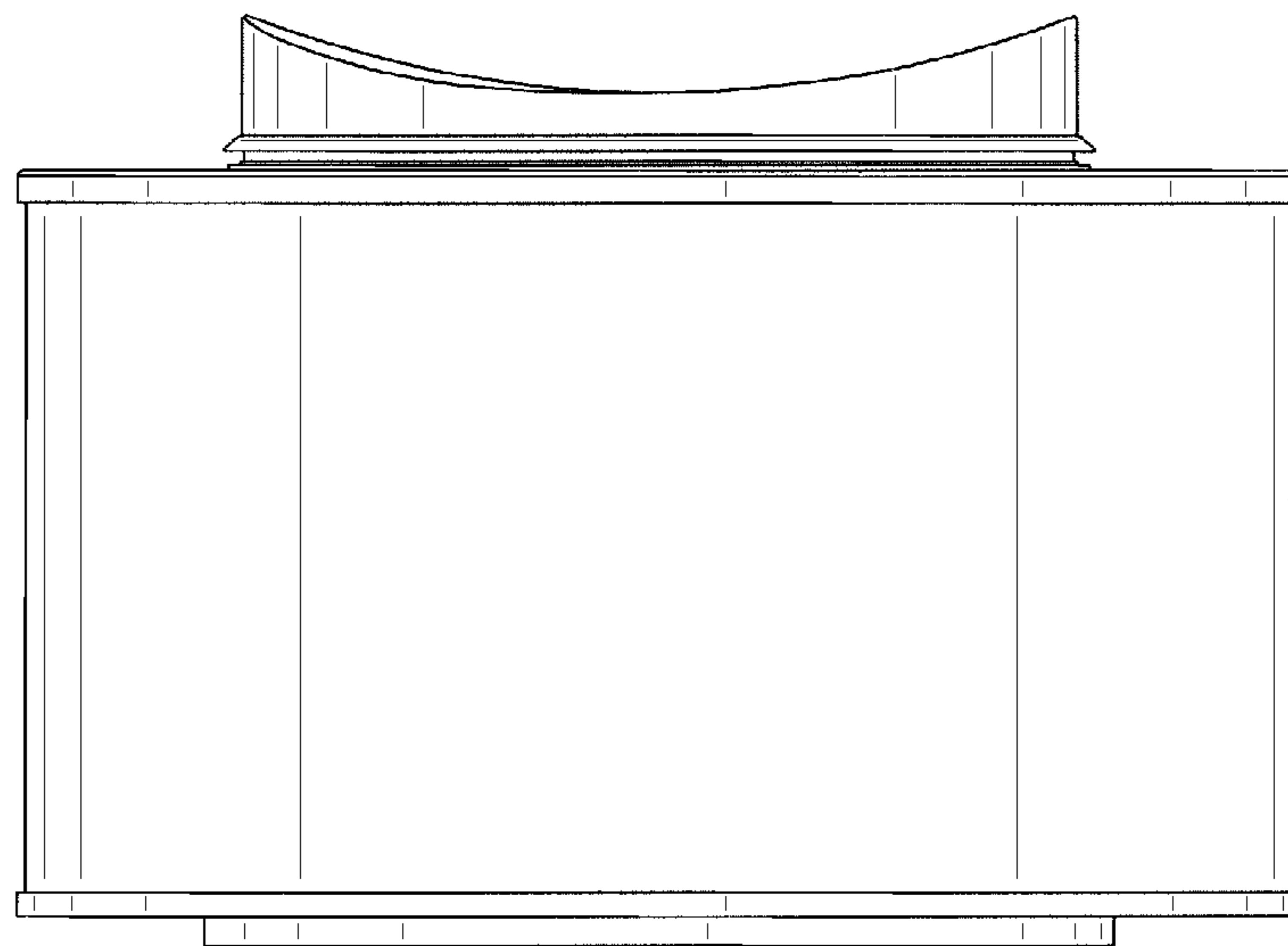


FIG. 2

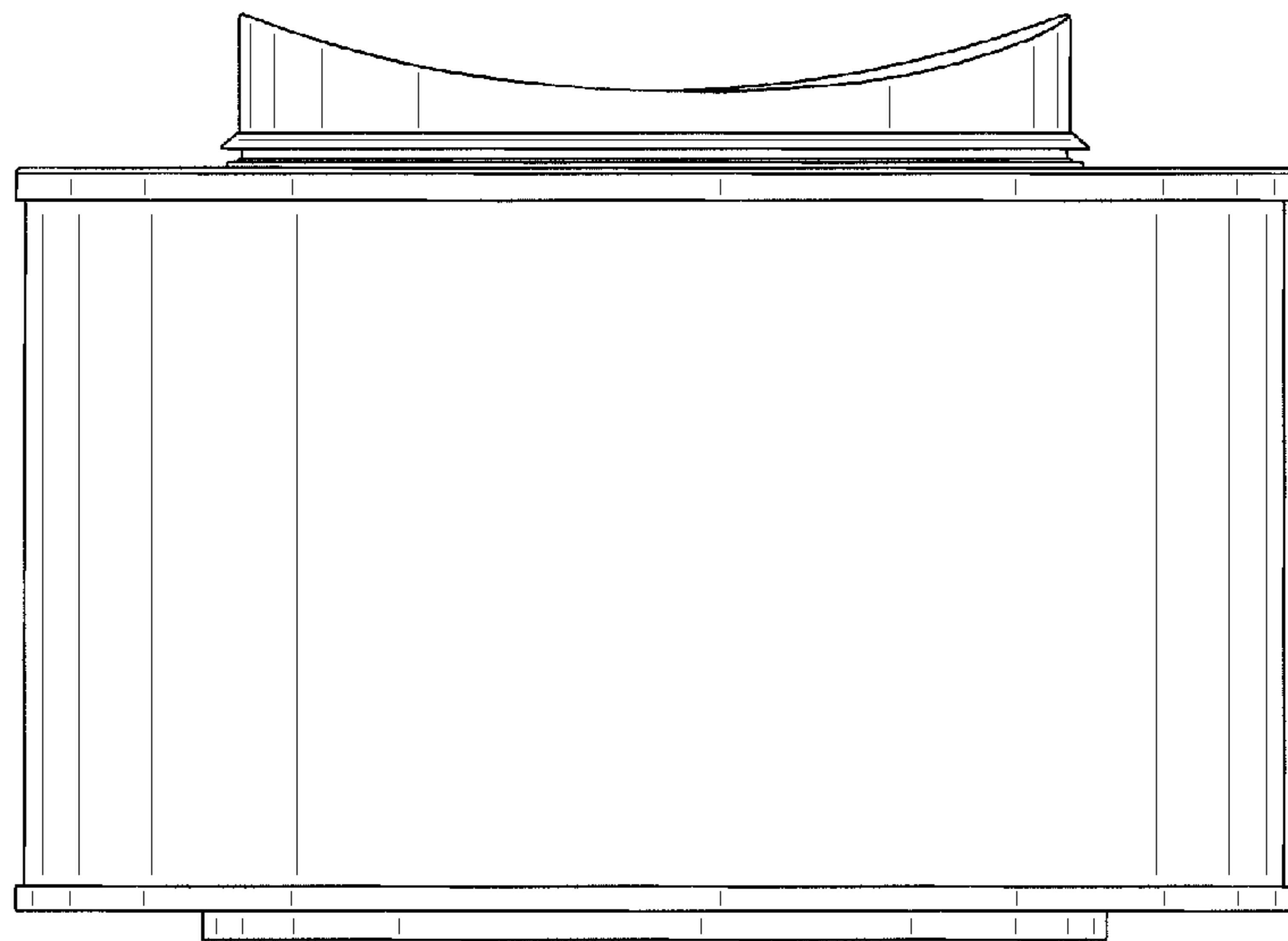


FIG. 3

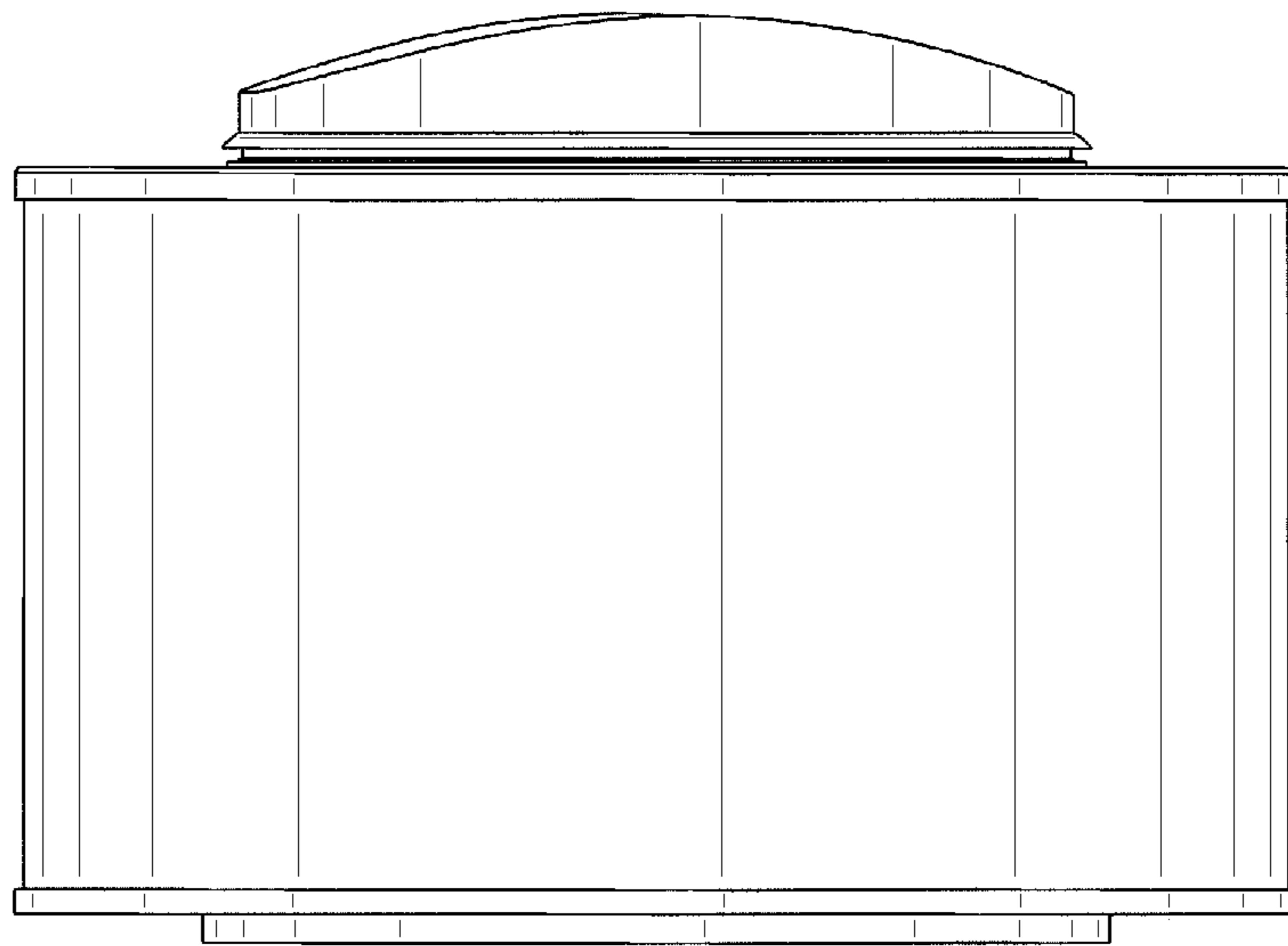


FIG. 4

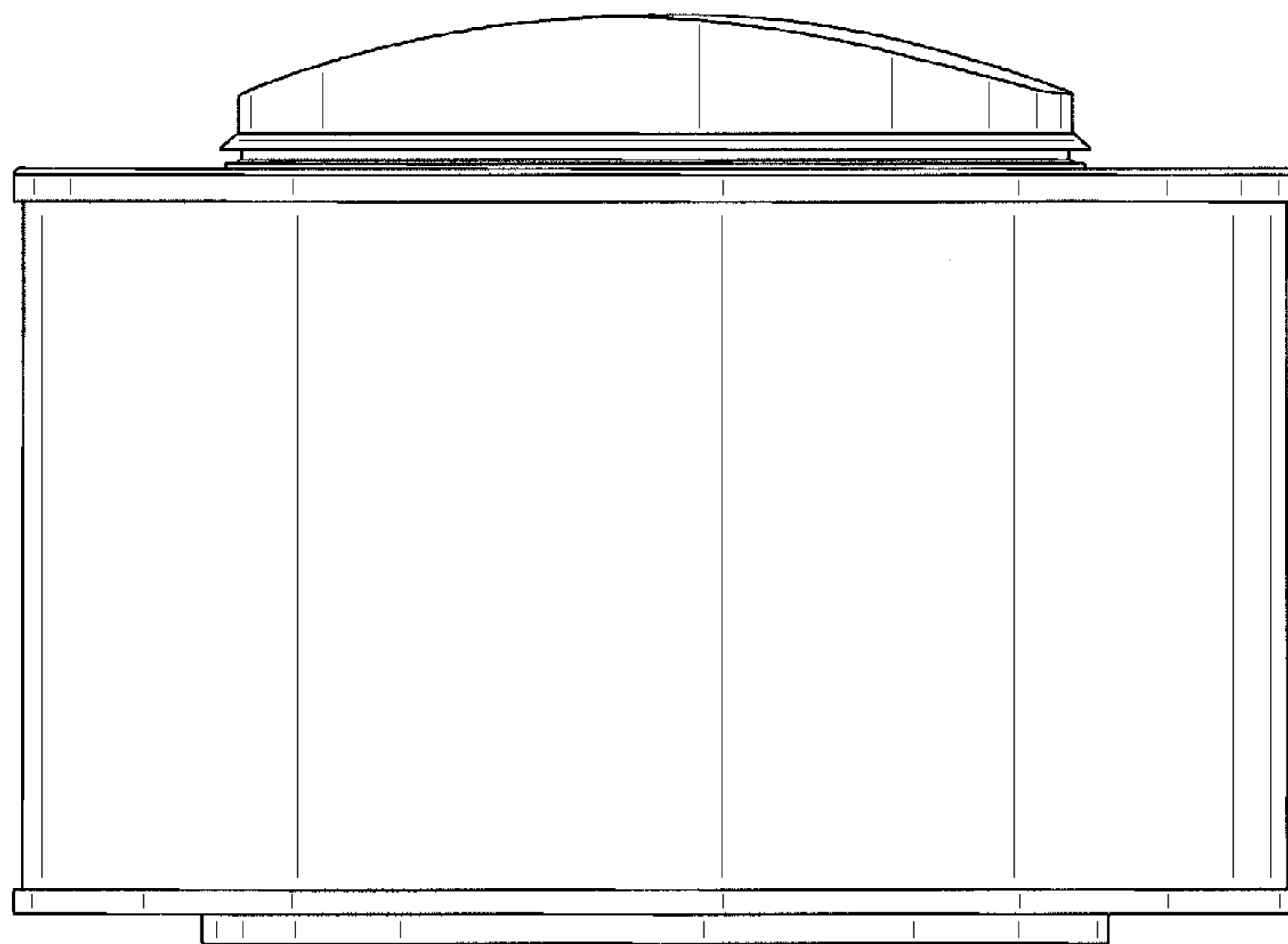


FIG. 5

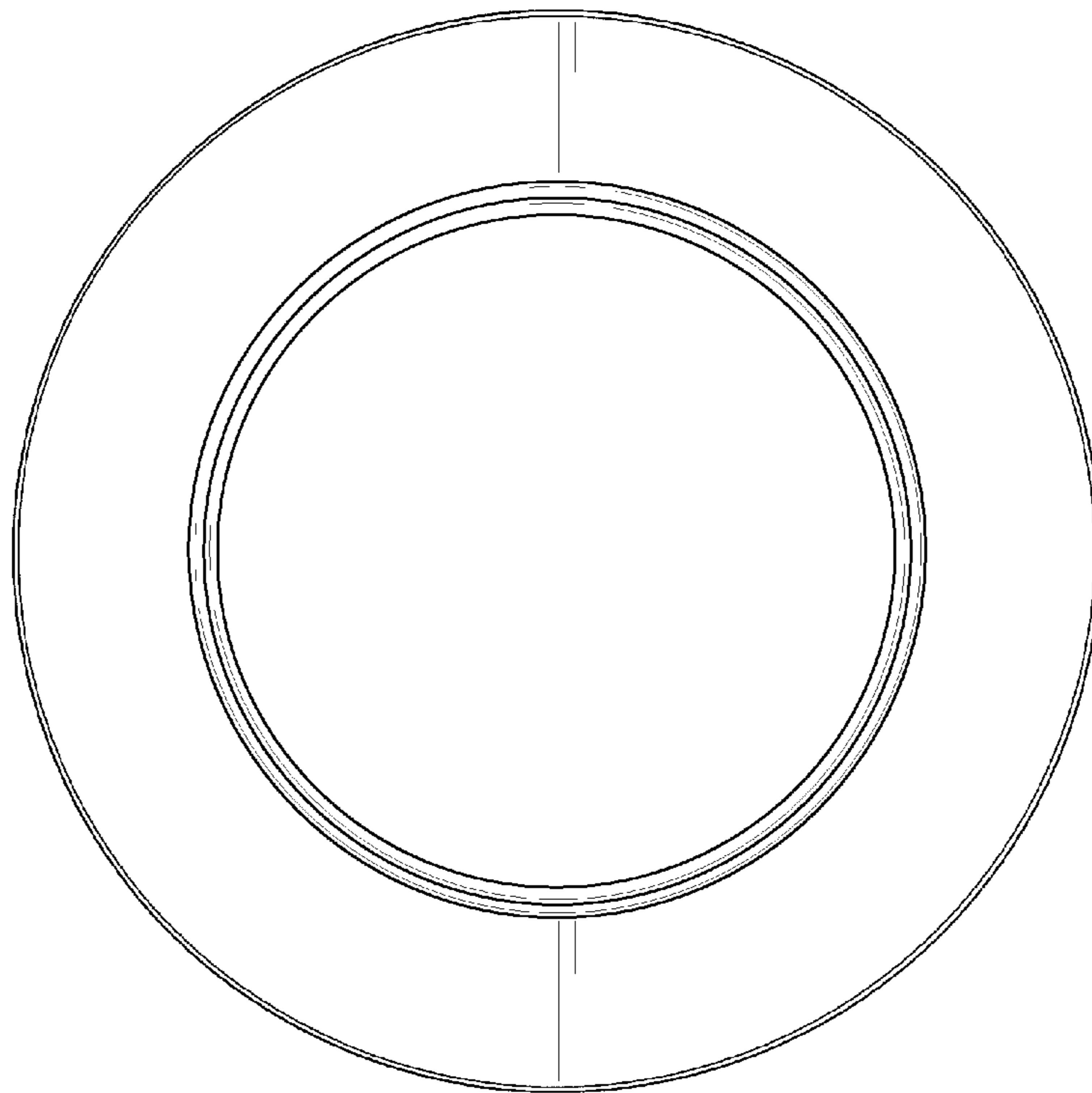


FIG. 6

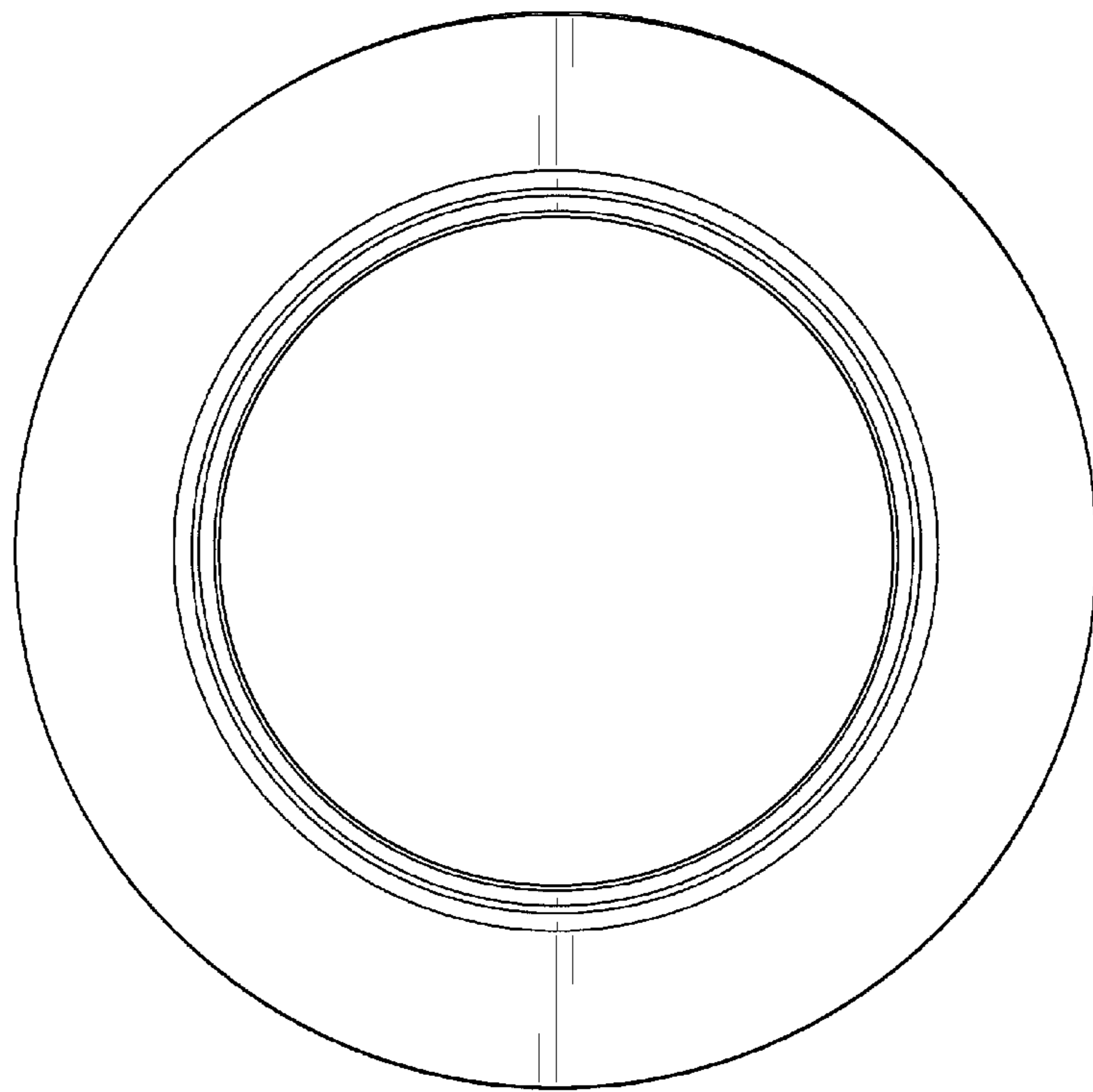


FIG. 7