



US00D668750S

(12) **United States Design Patent**  
**Renfrew et al.**

(10) **Patent No.:** **US D668,750 S**  
(45) **Date of Patent:** **\*\* Oct. 9, 2012**

(54) **AIR DECONTAMINATION MACHINE WITH  
REMOVABLE CONTROL PANEL**

(75) Inventors: **Bruce Renfrew**, Leicester (GB); **Ken  
Poberezny**, Loughborough (GB); **James  
Williamson**, Leicester (GB)

(73) Assignee: **Steritrox Limited**, Birlingham, Pershore  
(GB)

(\*\*) Term: **14 Years**

(21) Appl. No.: **29/357,971**

(22) Filed: **Mar. 19, 2010**

(30) **Foreign Application Priority Data**

Sep. 21, 2009 (EM) ..... 001166763

(51) **LOC (9) Cl.** ..... **23-04**

(52) **U.S. Cl.** ..... **D23/364**

(58) **Field of Classification Search** ..... D23/364,  
D23/355, 356, 359, 360, 366, 369, 332, 333,  
D23/335, 342, 351, 365; 422/120, 122; 55/356,  
55/473, 504, 429; 96/97; D14/188, 170,  
D14/172; 261/DIG. 17, DIG. 65, DIG. 88,  
261/DIG. 31; D18/34.6; 62/285; D34/24;  
D32/21, 22, 16

See application file for complete search history.

(56) **References Cited**

**U.S. PATENT DOCUMENTS**

D325,252 S \* 4/1992 Morris et al. .... D23/364  
D338,292 S \* 8/1993 Schmitz et al. .... D32/21  
D343,706 S \* 1/1994 Gurstein ..... D32/22  
D397,197 S \* 8/1998 Ito et al. .... D23/364  
D411,001 S \* 6/1999 Pinchuk ..... D23/364  
D419,230 S \* 1/2000 Ciccone ..... D23/333  
D420,438 S \* 2/2000 Pinchuk ..... D23/364  
D420,473 S \* 2/2000 Shero ..... D32/16

D431,644 S \* 10/2000 Huang ..... D23/364  
D434,128 S \* 11/2000 Huang ..... D23/364  
D435,097 S \* 12/2000 Huang ..... D23/364  
D445,116 S \* 7/2001 Evans et al. .... D23/332  
D508,735 S \* 8/2005 Klein ..... D23/359  
D568,452 S \* 5/2008 Gebhardt ..... D23/364  
D572,353 S \* 7/2008 Xu ..... D23/355  
D572,356 S \* 7/2008 Harber ..... D23/364  
D595,823 S \* 7/2009 Parr ..... D23/360  
D611,134 S \* 3/2010 Borgi ..... D23/355  
D612,032 S \* 3/2010 Gildersleeve et al. .... D23/333  
D615,179 S \* 5/2010 Borgi ..... D23/355  
D617,436 S \* 6/2010 Chen et al. .... D23/364

\* cited by examiner

*Primary Examiner* — David Muller

(74) *Attorney, Agent, or Firm* — Renner, Otto, Boisselle &  
Sklar, LLP

(57) **CLAIM**

We claim the ornamental design for the air decontamination machine with removable control panel, as shown and described.

**DESCRIPTION**

FIG. 1 is a front elevation view of an air decontamination machine with removable control panel showing our new design.

FIG. 2 is a side, front, and top perspective view thereof;

FIG. 3 is a rear elevation view thereof;

FIG. 4 is a side, rear, and top perspective view thereof;

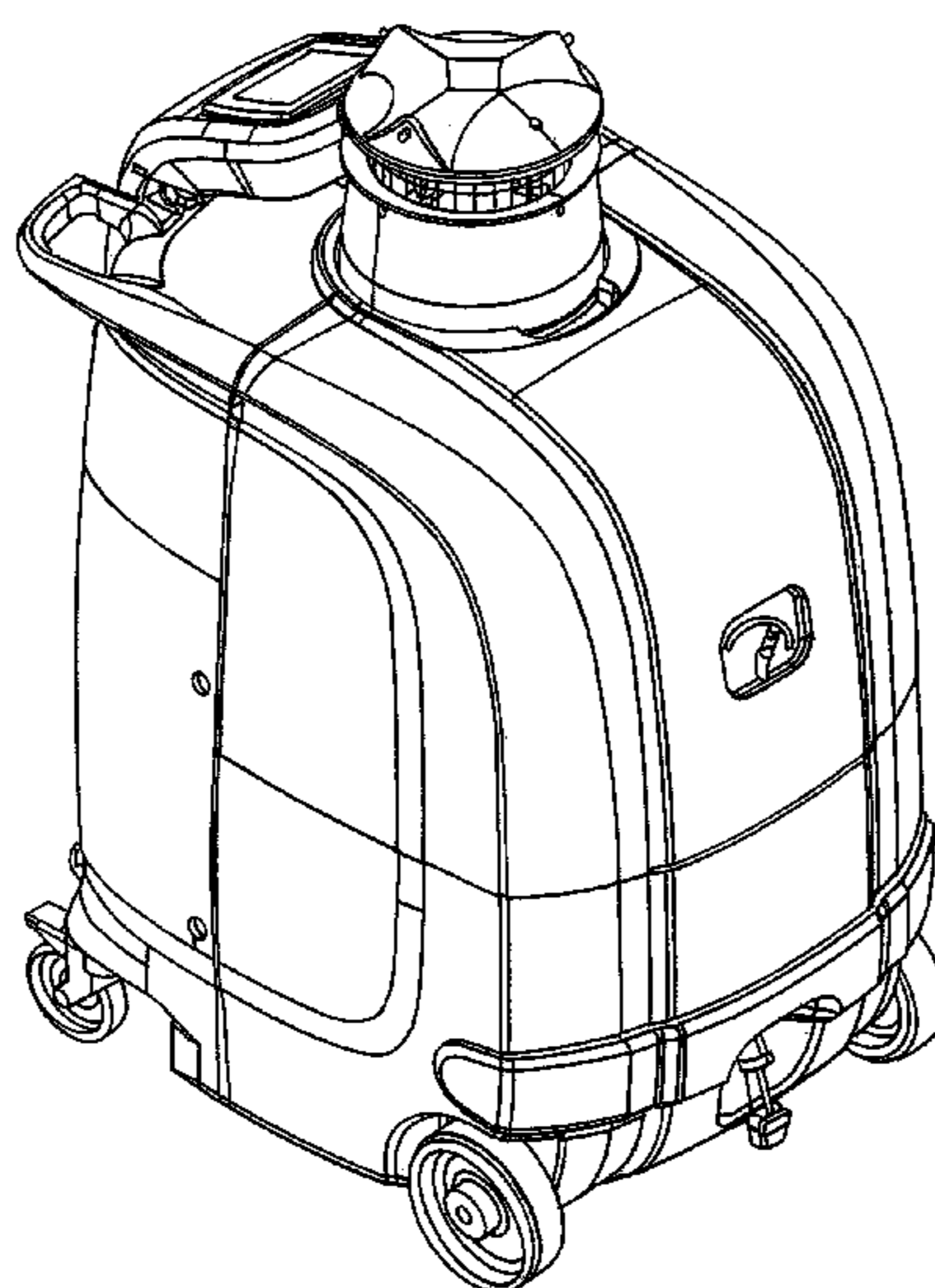
FIG. 5 is a side elevation view thereof, with the control panel removed;

FIG. 6 is a front, side, and top perspective view thereof, with the control panel removed; and,

FIG. 7 is a side elevation view, opposite that shown in FIG. 5, with the control panel attached.

The bottom surface is unornamented and does not form part of the claimed design.

**1 Claim, 7 Drawing Sheets**



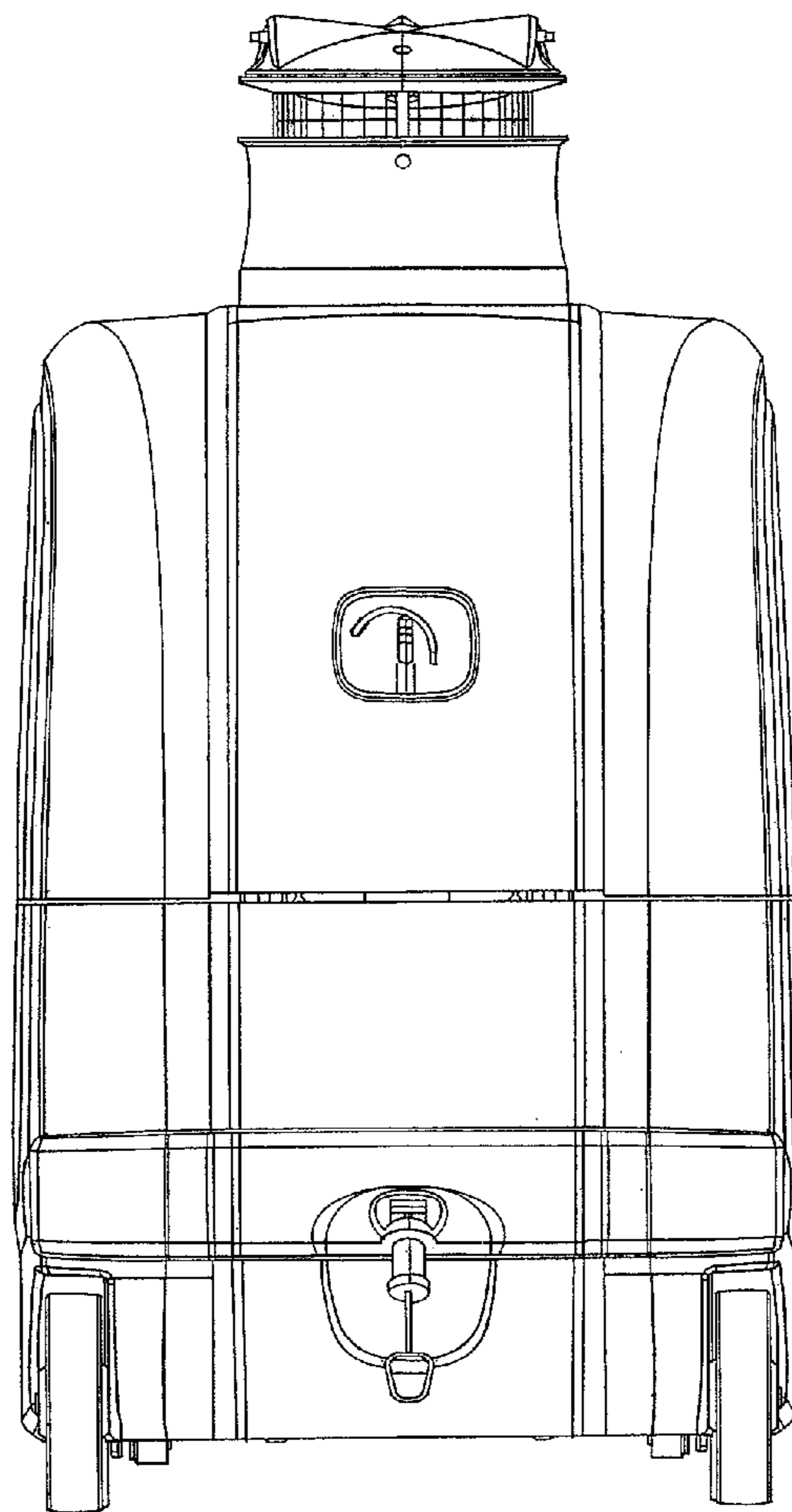


FIG. 1

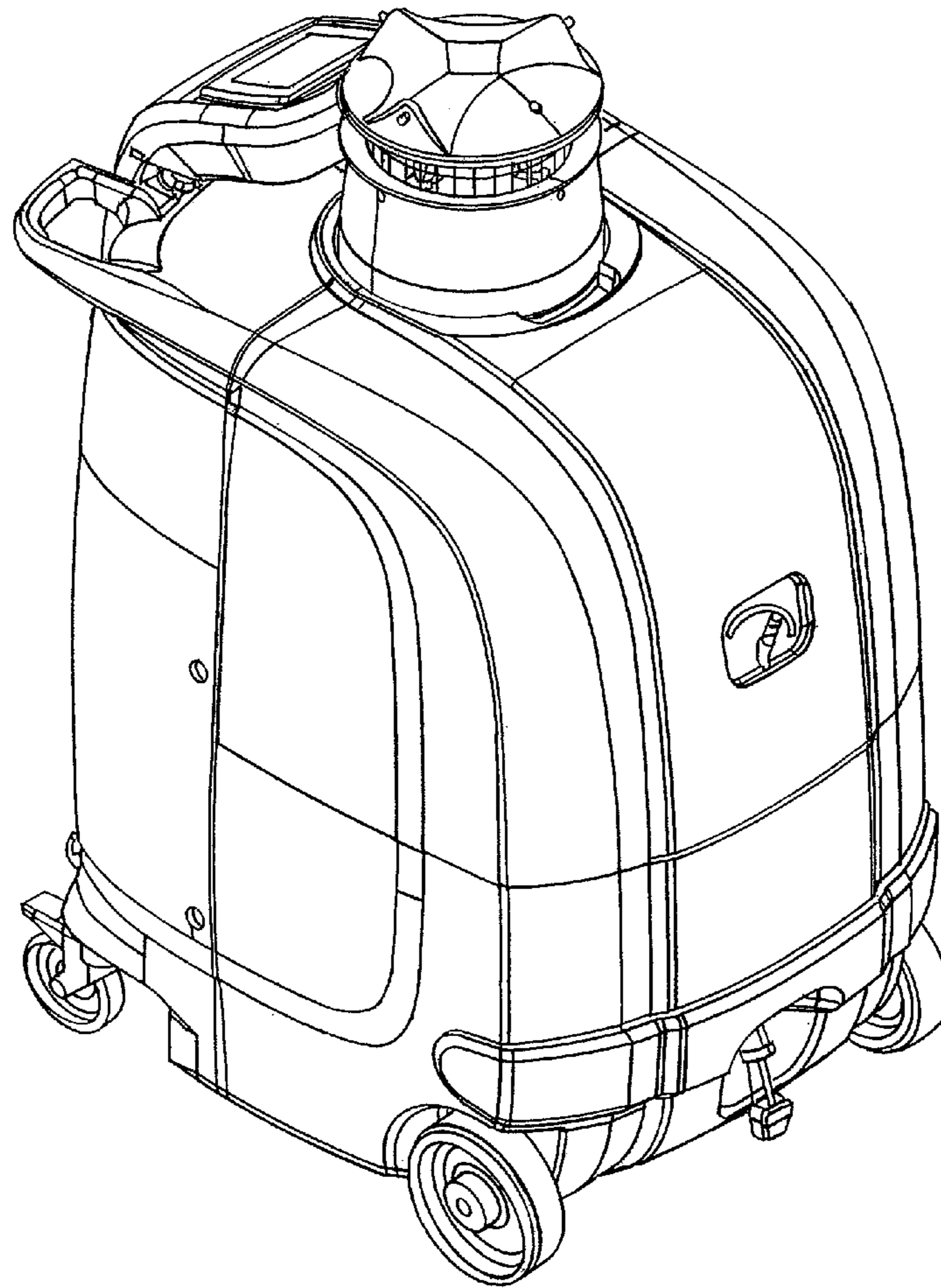


FIG. 2

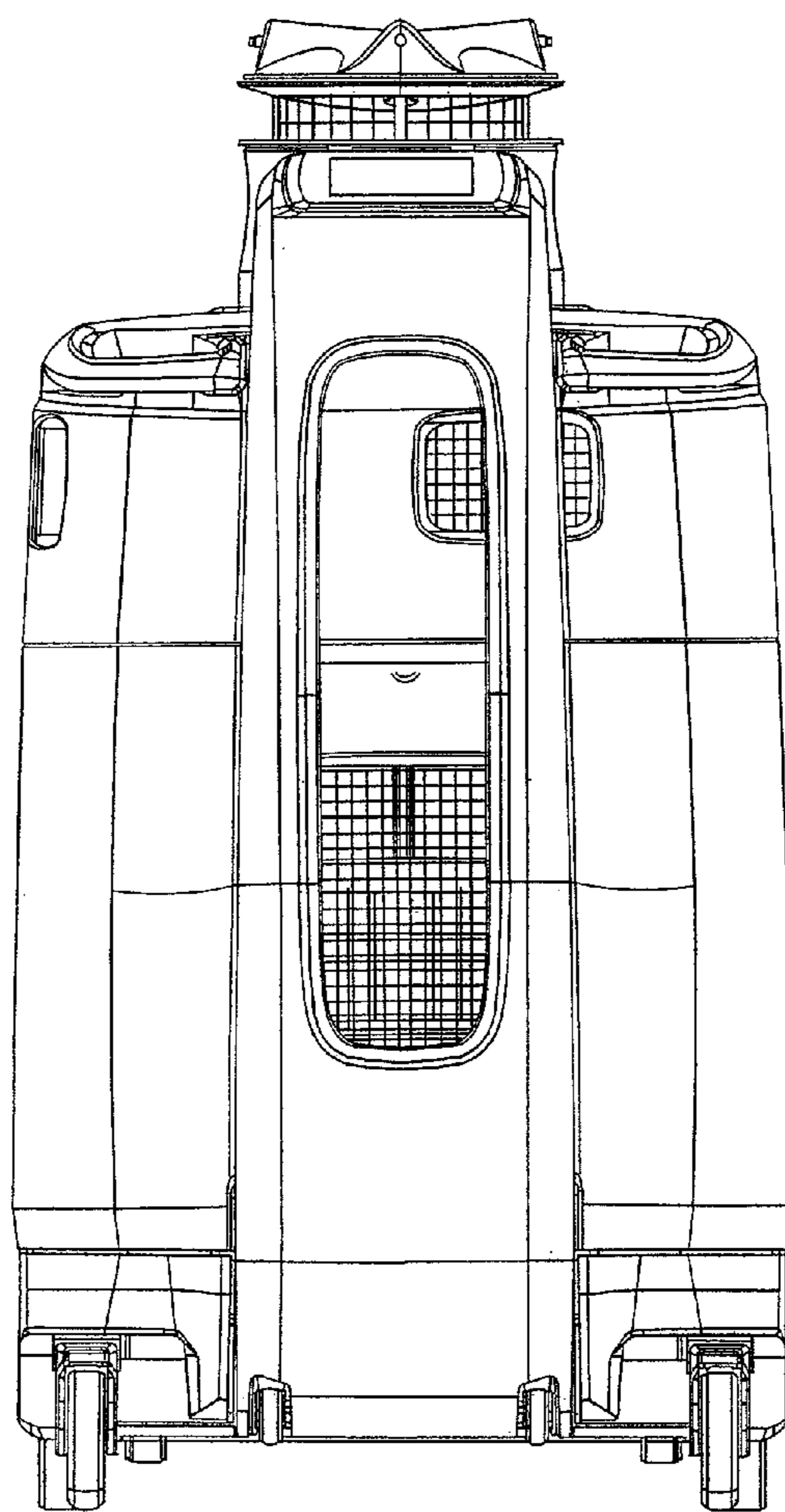


FIG. 3

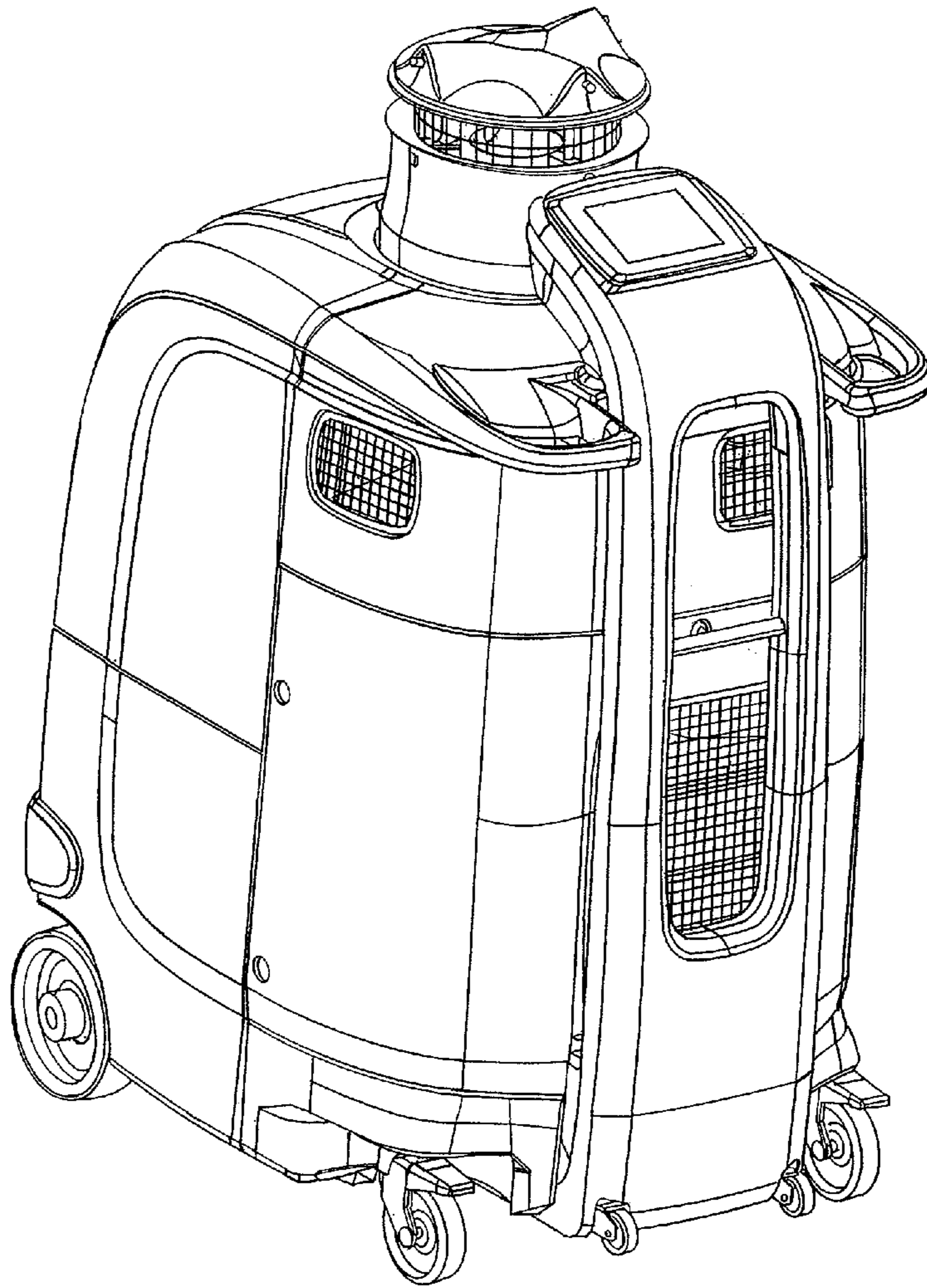


FIG. 4

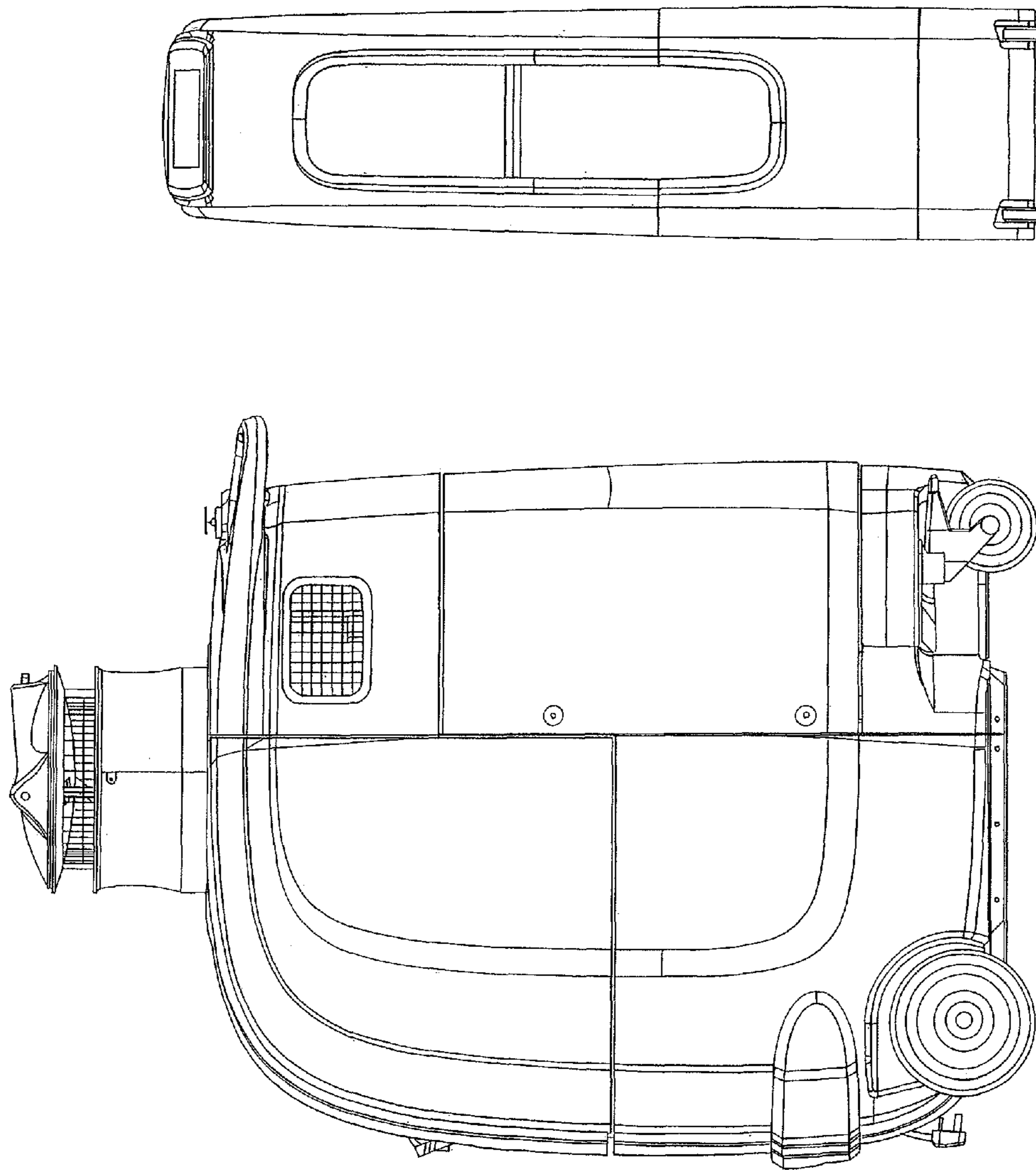


FIG. 5

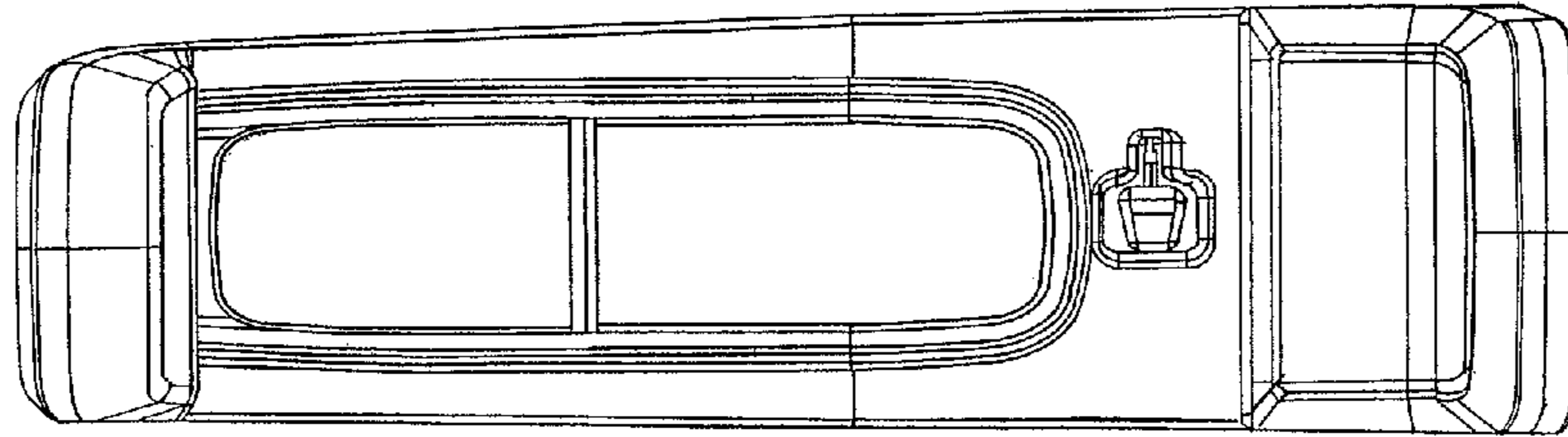
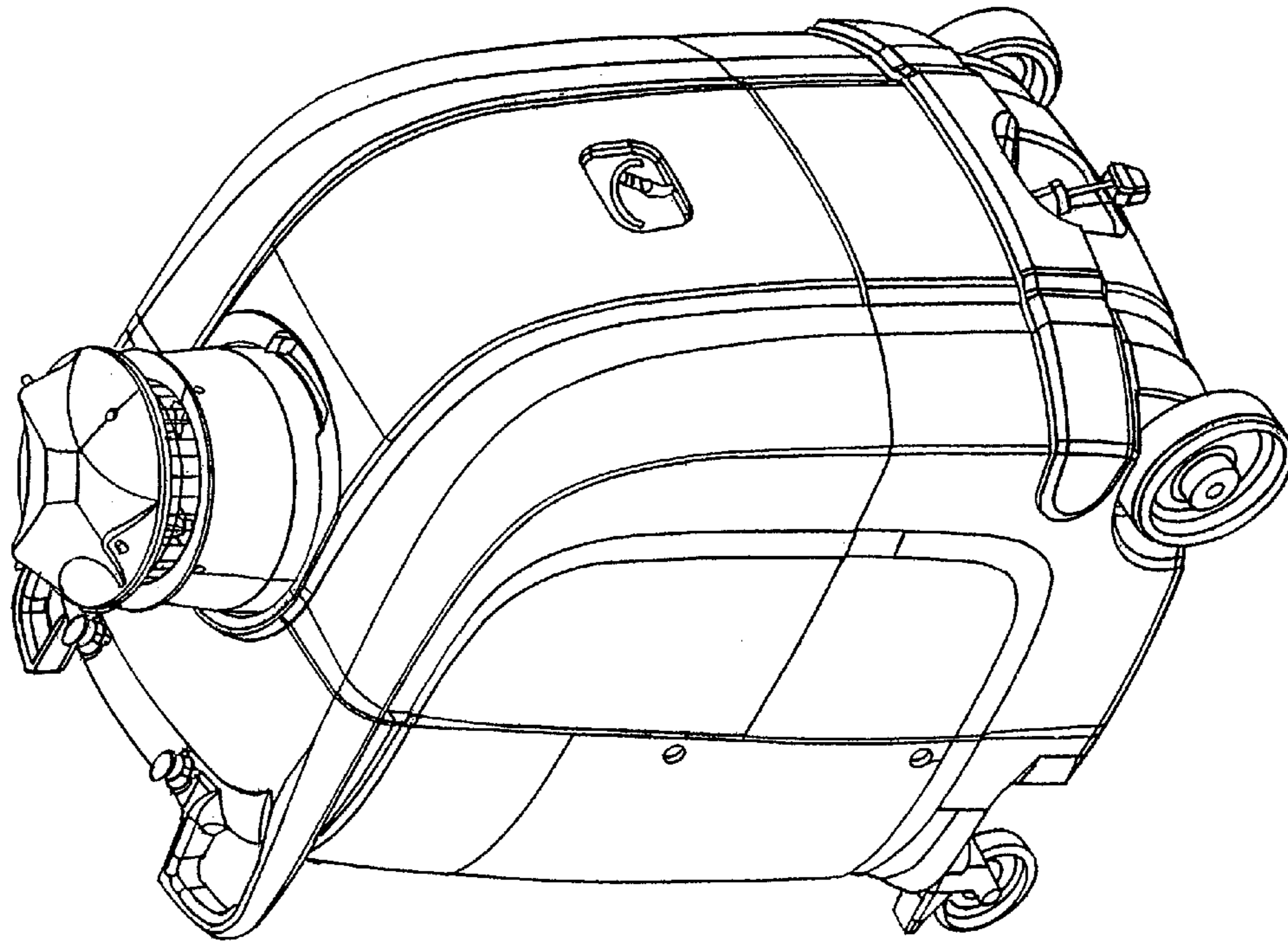


FIG. 6



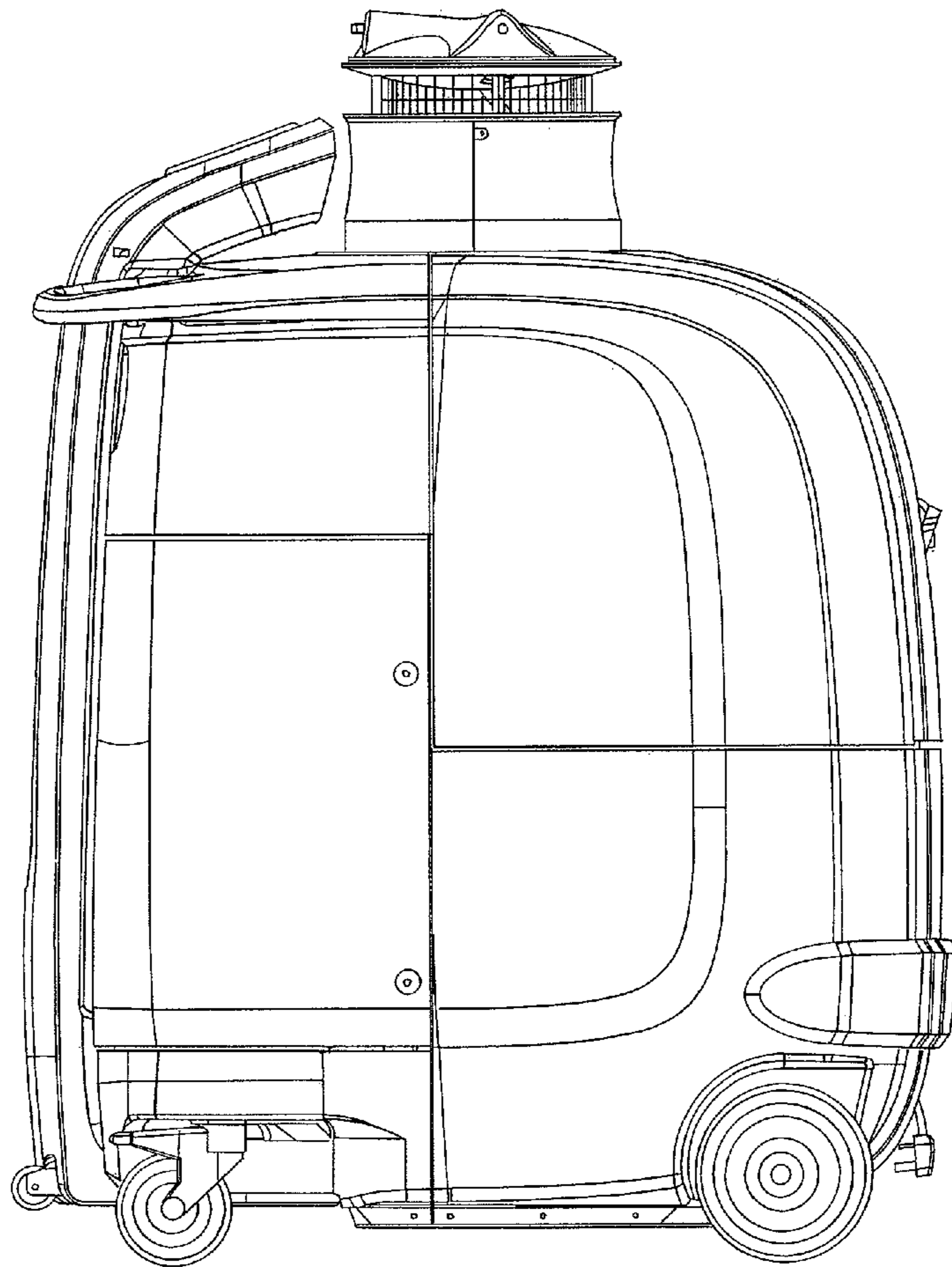


FIG. 7