

US00D668748S

(12) **United States Design Patent**
Asofsky et al.

(10) **Patent No.:** **US D668,748 S**
(45) **Date of Patent:** **** Oct. 9, 2012**

- (54) **ELECTRIC FIREPLACE**
- (75) Inventors: **Mark Asofsky**, Delray Beach, FL (US);
Tyler Nemes, Boynton Beach, FL (US)
- (73) Assignee: **Twin-Star International, Inc.**, Delray Beach, FL (US)

- 5,924,784 A 7/1999 Chliwnyj et al.
- 6,050,011 A 4/2000 Hess et al.
- 6,053,165 A 4/2000 Butler et al.
- 6,162,047 A 12/2000 Hess
- 6,340,868 B1 1/2002 Lys et al.
- 6,350,498 B1 2/2002 Hess et al.

(Continued)

(**) Term: **14 Years**

FOREIGN PATENT DOCUMENTS

CA 920111 1/1973

(Continued)

(21) Appl. No.: **29/339,734**

(22) Filed: **Jul. 7, 2009**

Primary Examiner — David Muller

(51) **LOC (9) Cl.** **23-03**

(74) *Attorney, Agent, or Firm* — Johnson & Martin, P.A.;
James David Johnson

(52) **U.S. Cl.** **D23/344**

(58) **Field of Classification Search** D23/344,
D23/343, 342, 332, 397, 398, 403; 392/365,
392/347, 360; 126/500, 523, 527, 536, 555
See application file for complete search history.

(57) **CLAIM**

The ornamental designs for an electric fireplace, as shown and described.

DESCRIPTION

(56) **References Cited**

U.S. PATENT DOCUMENTS

- 1,867,740 A 7/1932 Guy
- 3,499,239 A 3/1970 Mungo
- 3,603,013 A 9/1971 Reed et al.
- 3,636,307 A 1/1972 Pearce
- 3,699,697 A 10/1972 Painton
- 3,978,598 A 9/1976 Rose et al.
- 4,240,401 A * 12/1980 Chesnut et al. D23/344
- 4,573,905 A 3/1986 Meyers
- 4,890,600 A 1/1990 Meyers
- 4,971,030 A * 11/1990 Thow et al. 126/523
- 5,033,455 A * 7/1991 Eiklor et al. 126/500
- 5,067,476 A * 11/1991 Rhodes, Jr. 126/555
- 5,114,336 A * 5/1992 Karabin et al. 126/500
- 5,195,820 A 3/1993 Rehberg
- 5,311,686 A 5/1994 Christensen
- D348,726 S * 7/1994 Wilson D23/344
- 5,513,625 A * 5/1996 Landman 126/555
- D371,835 S * 7/1996 Kempf et al. D23/344
- 5,839,427 A 11/1998 Shorts
- D408,075 S * 4/1999 Walters D23/403

FIG. 1 is a front perspective view of an electric fireplace of the invention.

FIG. 2 is a front elevational view of the electric fireplace of FIG. 1.

FIG. 3 is a rear elevational view of the electric fireplace of FIG. 1.

FIG. 4 is a left side elevational view of the electric fireplace of FIG. 1.

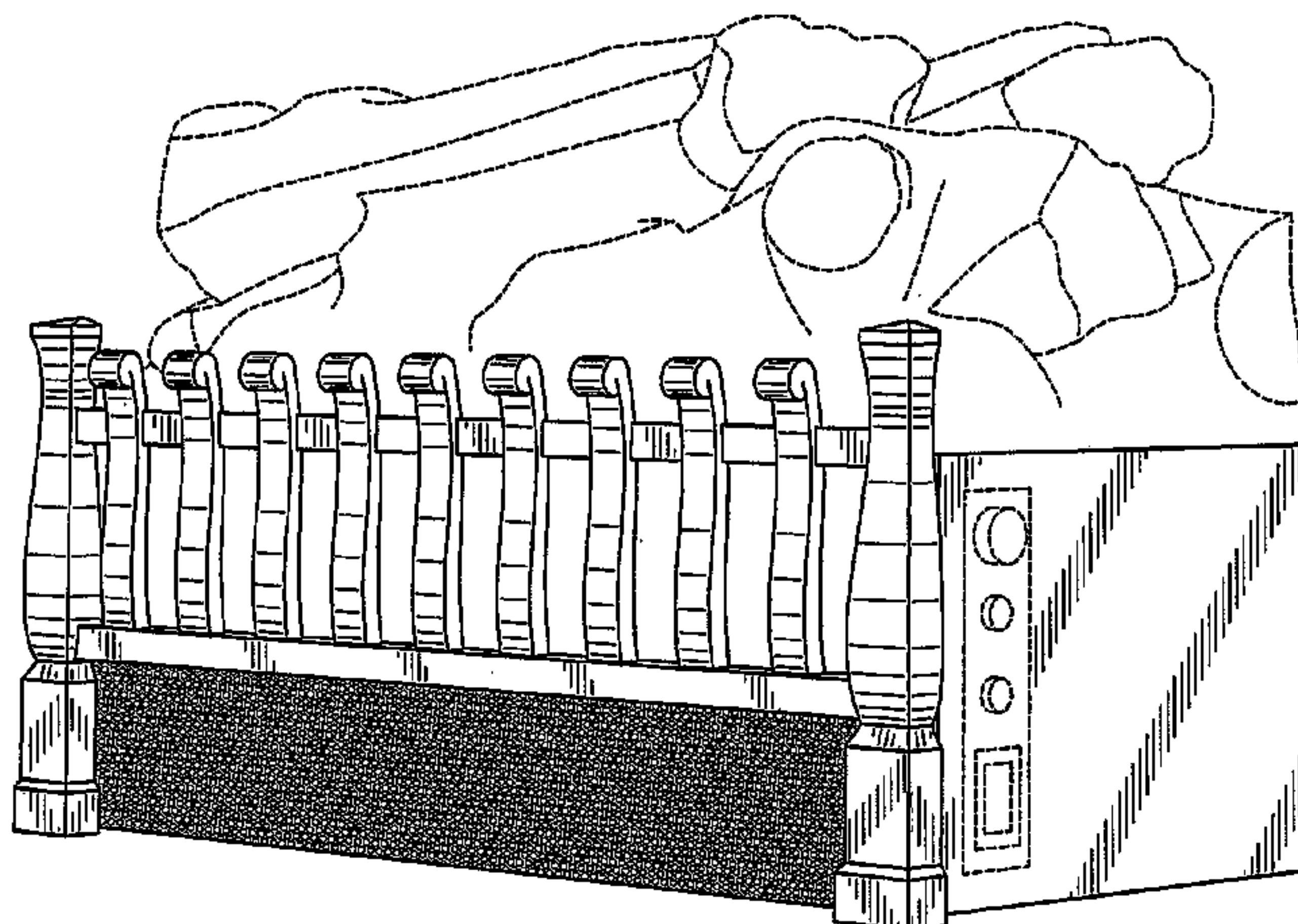
FIG. 5 is a right side elevational view of the electric fireplace of FIG. 1.

FIG. 6 is a top plan view of the electric fireplace of FIG. 1; and,

FIG. 7 is a bottom plan view of the electric fireplace of FIG. 1.

The broken line showing of parts of the drawings is included for the purpose of illustrating use and environment and forms no part of the claimed design.

1 Claim, 6 Drawing Sheets



US D668,748 S

Page 2

U.S. PATENT DOCUMENTS

| | | | | |
|--------------|------|---------|----------------------|---------|
| 6,385,881 | B1 | 5/2002 | Hess | |
| 6,393,207 | B1 | 5/2002 | Martin et al. | |
| 6,413,079 | B1 | 7/2002 | Lyons et al. | |
| 6,564,485 | B1 | 5/2003 | Hess | |
| 6,615,519 | B2 | 9/2003 | Hess | |
| 6,672,860 | B2 | 1/2004 | Bachinski | |
| 6,691,440 | B1 | 2/2004 | Petz et al. | |
| 6,718,665 | B2 | 4/2004 | Hess et al. | |
| D489,444 | S * | 5/2004 | Chandaria | D23/398 |
| 6,736,133 | B2 | 5/2004 | Bachinski et al. | |
| 6,757,487 | B2 | 6/2004 | Martin et al. | |
| 6,792,319 | B1 | 9/2004 | Bilger | |
| 6,880,275 | B2 | 4/2005 | Mix et al. | |
| 6,944,982 | B2 | 9/2005 | Schroeter et al. | |
| D513,796 | S * | 1/2006 | Borowske et al. | D23/343 |
| 7,111,421 | B2 | 9/2006 | Corry et al. | |
| 7,134,229 | B2 | 11/2006 | Hess et al. | |
| 7,162,820 | B2 | 1/2007 | Hess et al. | |
| 7,210,256 | B2 | 5/2007 | Rosserot | |
| 7,219,456 | B1 | 5/2007 | Wei et al. | |
| 7,236,693 | B2 | 6/2007 | Haugom | |
| D616,977 | S * | 6/2010 | Asofsky et al. | D23/403 |
| 7,886,736 | B2 * | 2/2011 | Eiklor | 126/523 |
| 2002/0139021 | A1 | 10/2002 | Hess et al. | |
| 2002/0152655 | A1 | 10/2002 | Merrill et al. | |
| 2002/0166554 | A1 | 11/2002 | Berg | |
| 2002/0174579 | A1 | 11/2002 | Corry | |
| 2003/0041491 | A1 | 3/2003 | Mix | |
| 2003/0046837 | A1 | 3/2003 | Hess | |
| 2003/0049024 | A1 | 3/2003 | Chen | |
| 2003/0156828 | A1 | 8/2003 | Jamieson et al. | |
| 2003/0201957 | A1 | 10/2003 | Mix et al. | |
| 2004/0173202 | A1 | 9/2004 | Lyons et al. | |
| 2004/0181989 | A1 | 9/2004 | Miller | |
| 2004/0255931 | A1 | 12/2004 | Bachinski et al. | |
| 2004/0264949 | A1 | 12/2004 | Deng | |
| 2005/0066960 | A1 | 3/2005 | Harp | |
| 2005/0086841 | A1 | 4/2005 | Schroeter et al. | |
| 2005/0090915 | A1 | 4/2005 | Geiwitz | |
| 2005/0097792 | A1 | 5/2005 | Naden | |
| 2005/0155262 | A1 | 7/2005 | Mix et al. | |
| 2005/0252051 | A1 | 11/2005 | Chen | |
| 2006/0101681 | A1 | 5/2006 | Hess et al. | |
| 2006/0150966 | A1 | 7/2006 | Jamieson | |
| 2006/0153547 | A1 | 7/2006 | O'Neill | |
| 2006/0185664 | A1 | 8/2006 | Butler | |
| 2006/0188831 | A1 | 8/2006 | Hess et al. | |
| 2006/0191529 | A1 | 8/2006 | McDonald | |
| 2006/0213097 | A1 | 9/2006 | Haugom | |
| 2006/0242870 | A1 | 11/2006 | Atemboski et al. | |

| | | | |
|--------------|----|--------|-------------|
| 2007/0094903 | A1 | 5/2007 | Hess et al. |
| 2007/0125367 | A1 | 6/2007 | Lim et al. |
| 2007/0224561 | A1 | 9/2007 | Hess et al. |

FOREIGN PATENT DOCUMENTS

| | | |
|----|------------|---------|
| CA | 1030833 | 5/1978 |
| CA | 1055796 | 6/1979 |
| CA | 1065221 | 10/1979 |
| CA | 1068736 | 12/1979 |
| CA | 1110940 | 10/1981 |
| CA | 1125127 | 6/1982 |
| CA | 1225427 | 8/1987 |
| CA | 2009379 | 8/1990 |
| CA | 1290208 | 10/1991 |
| CA | 2108300 | 4/1995 |
| CA | 2188244 | 4/1998 |
| CA | 2291014 | 12/1998 |
| CA | 2227951 | 7/1999 |
| CA | 2259866 | 7/1999 |
| CA | 2356146 | 7/1999 |
| CA | 2252213 | 4/2000 |
| CA | 2299816 | 9/2000 |
| CA | 2313972 | 1/2001 |
| CA | 2406557 | 4/2003 |
| CA | 2428411 | 7/2004 |
| CA | 2459898 | 9/2004 |
| CA | 2562462 | 10/2004 |
| CA | 2475527 | 1/2005 |
| CA | 2470739 | 2/2005 |
| CA | 2459788 | 5/2005 |
| CA | 2488243 | 8/2005 |
| CA | 2459849 | 9/2005 |
| CA | 2500939 | 9/2005 |
| CA | 2511081 | 1/2006 |
| CA | 2579444 | 3/2006 |
| CA | 2579778 | 3/2006 |
| CA | 2526747 | 5/2006 |
| CA | 2528761 | 6/2006 |
| CA | 2531304 | 7/2006 |
| CA | 2597577 | 8/2006 |
| CA | 2561120 | 3/2007 |
| EP | 1225389 | 7/2002 |
| EP | 1703211 | 9/2006 |
| GB | 2372805 | 9/2002 |
| GB | 2391614 | 2/2004 |
| GB | 2430487 | 3/2007 |
| WO | 8404018 | 10/1984 |
| WO | 0057109 | 9/2000 |
| WO | 2005028962 | 3/2005 |
| WO | 2006040167 | 4/2006 |
| WO | 2007069143 | 6/2007 |

* cited by examiner

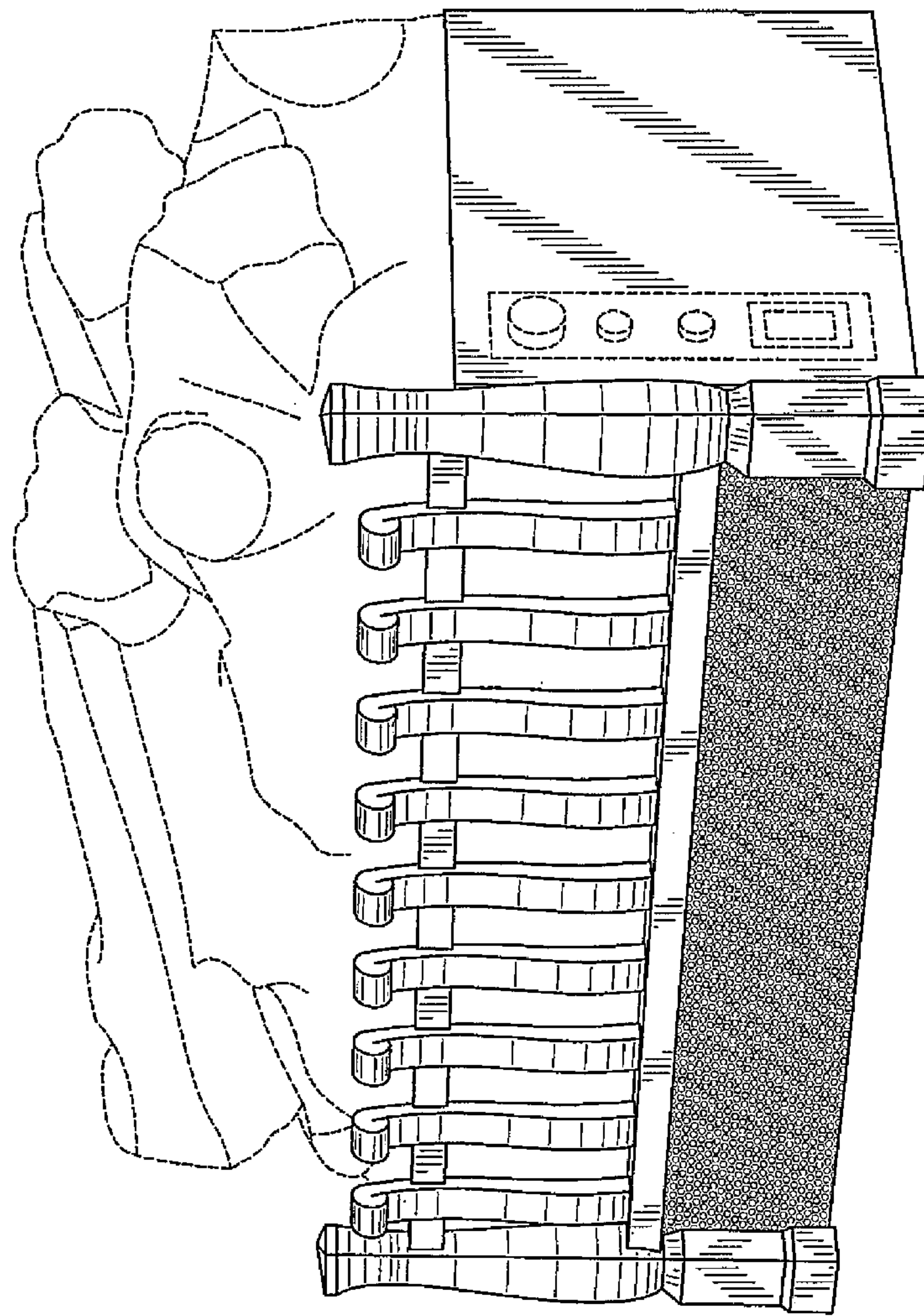


FIG. 1

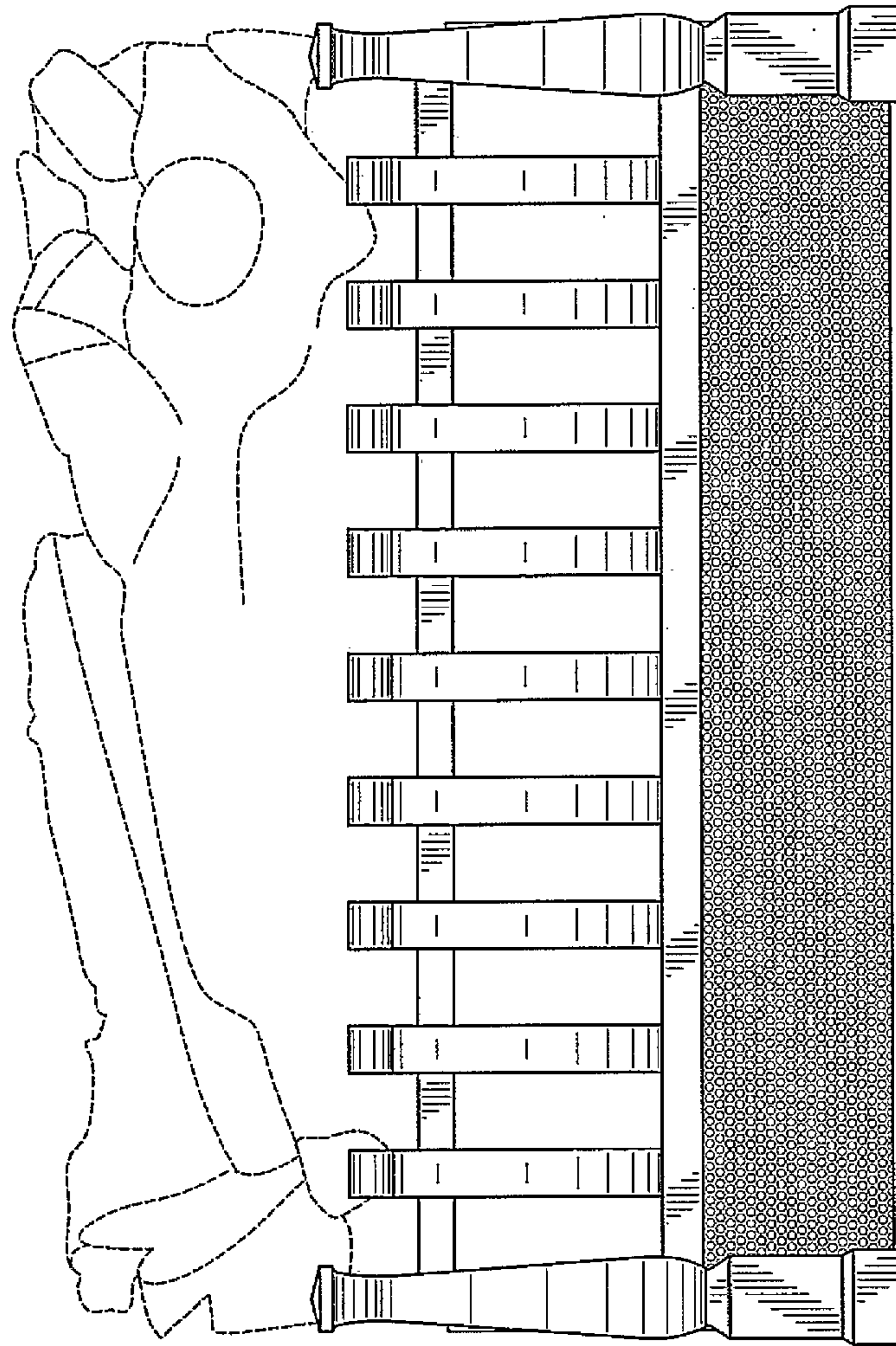


FIG. 2

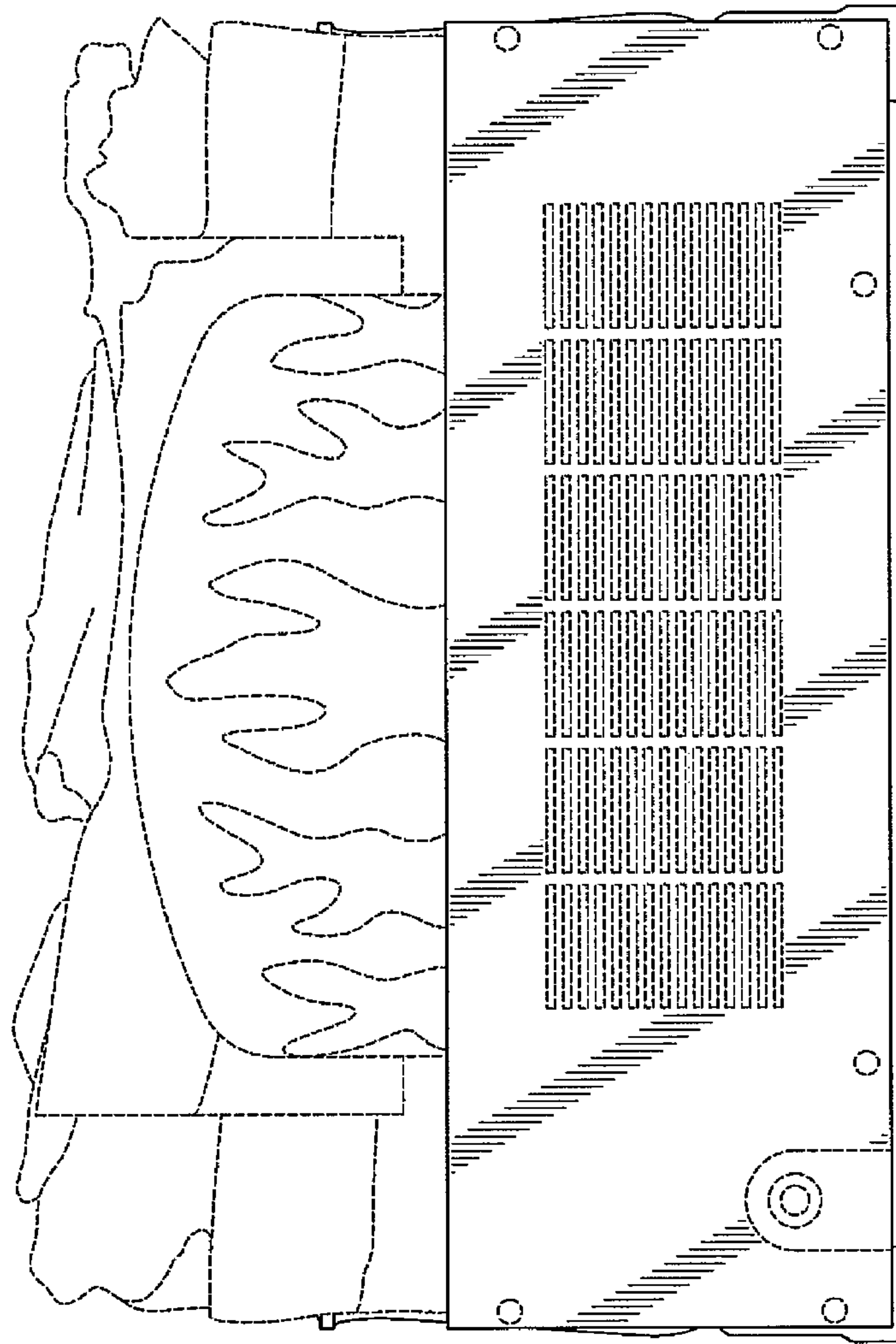


FIG. 3

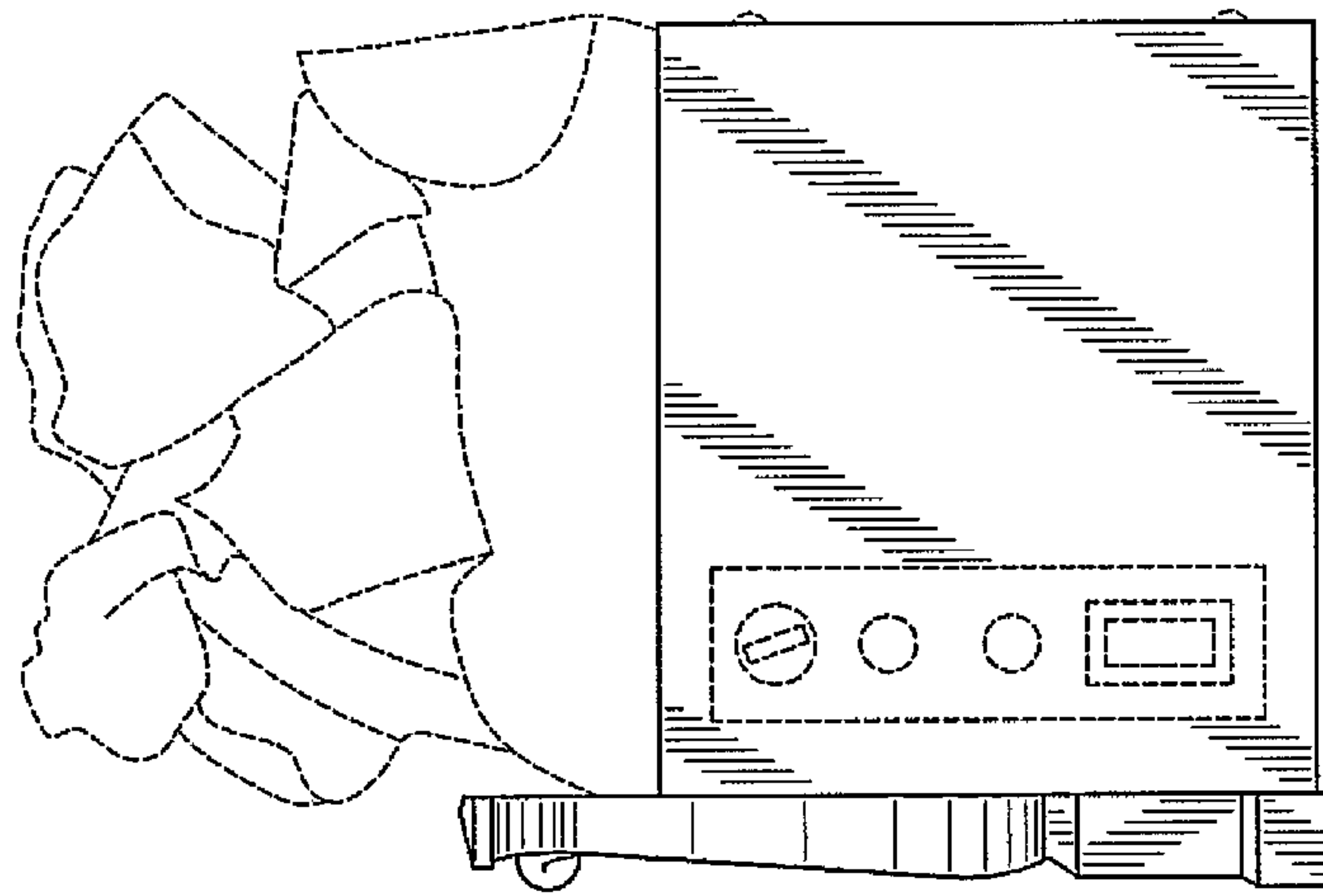


FIG. 5

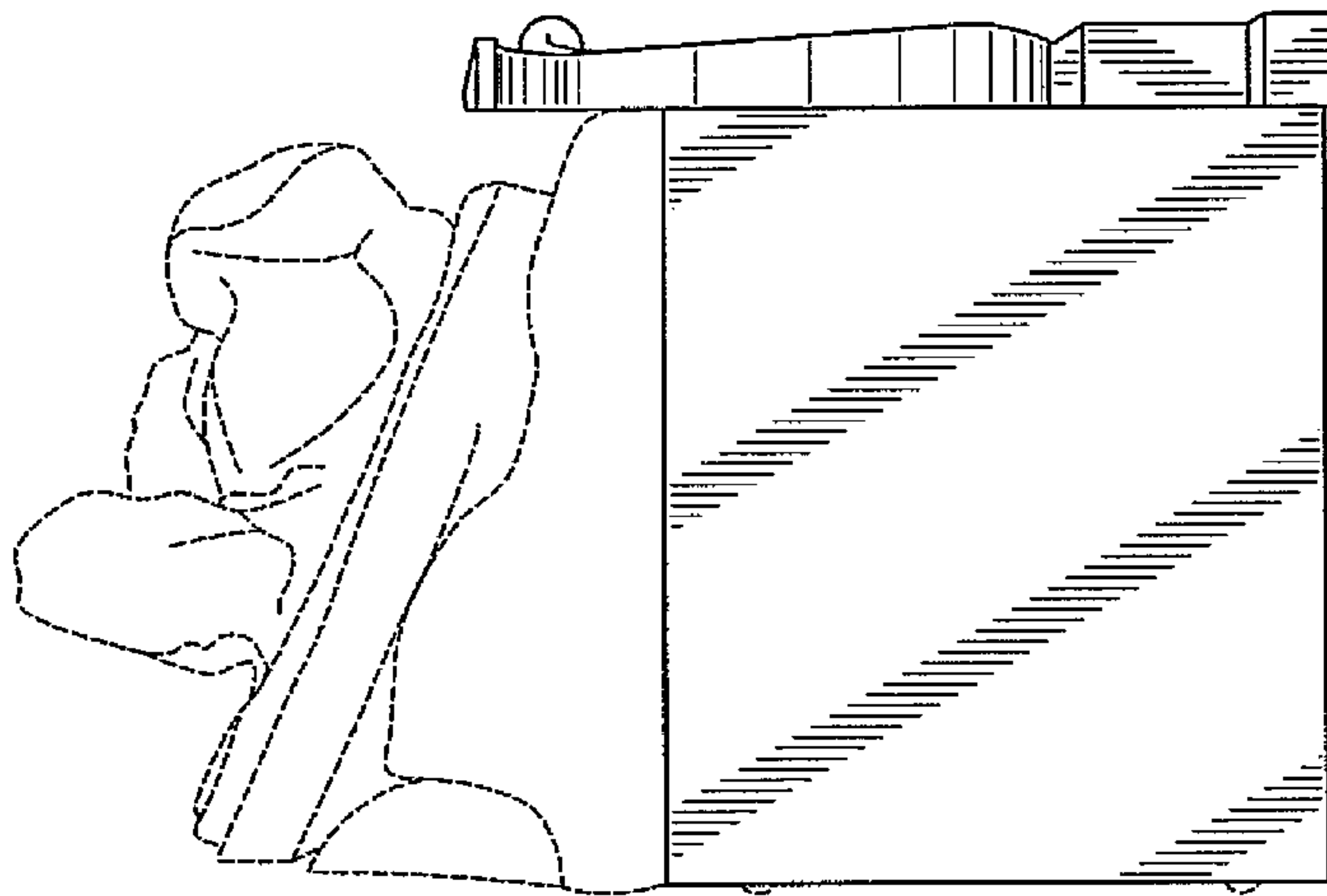


FIG. 4

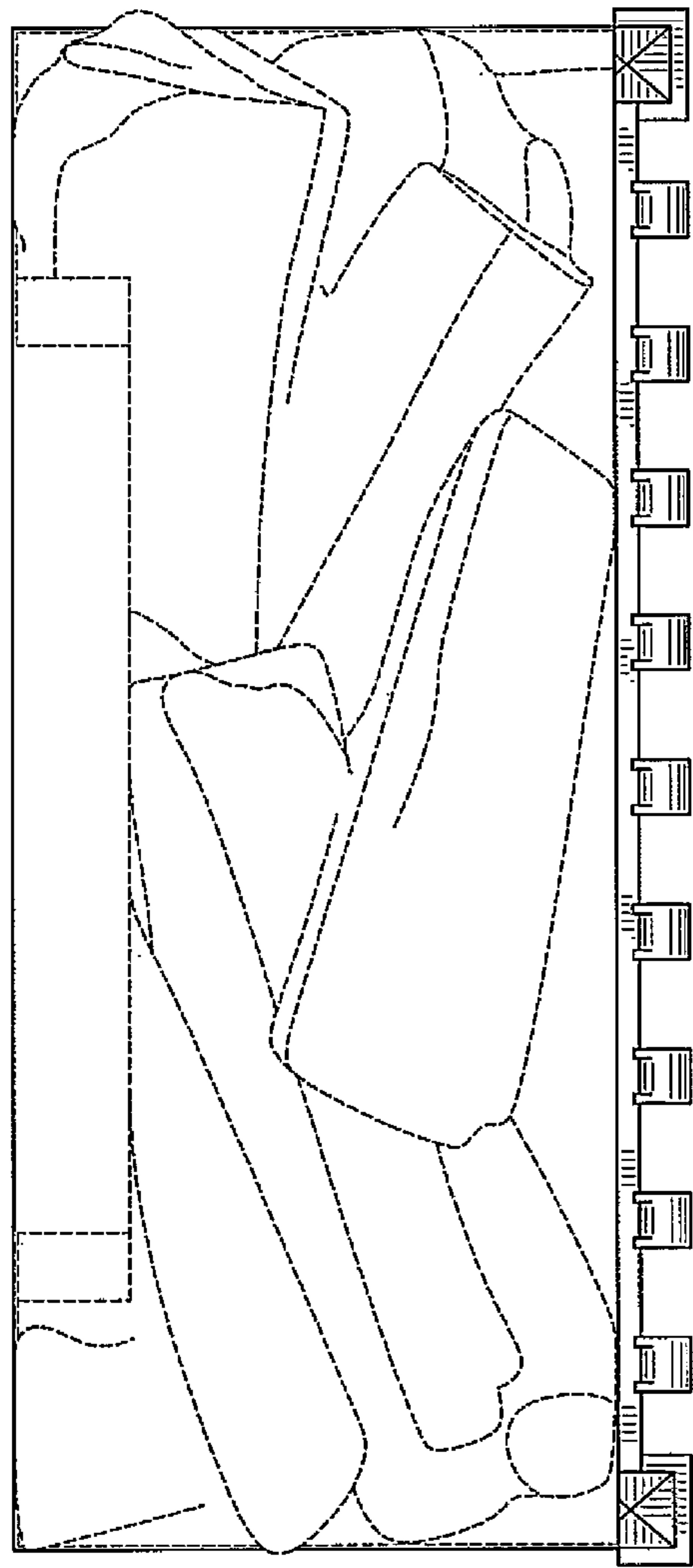


FIG. 6

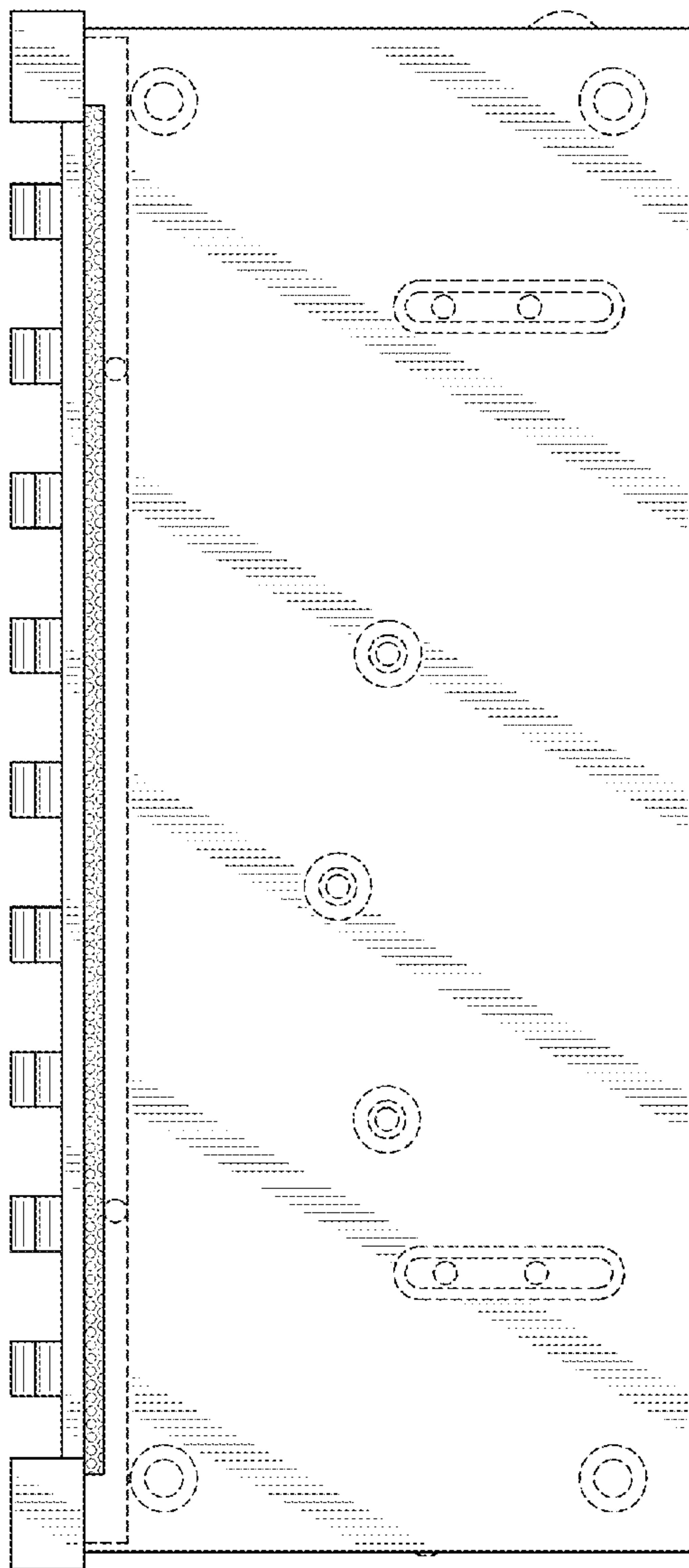


FIG. 7