

US00D668747S

(12) **United States Design Patent**
Smith

(10) **Patent No.:** **US D668,747 S**

(45) **Date of Patent:** **** Oct. 9, 2012**

(54) **TOILET ASSISTIVE DEVICE FOR THE PHYSICALLY HANDICAPPED**

6,418,567 B1 7/2002 Brinkman
7,146,655 B2 12/2006 Karnopp et al.
2006/0207002 A1 9/2006 Bradshaw et al.

(76) Inventor: **Kimm Smith**, Stockton, CA (US)

* cited by examiner

(**) Term: **14 Years**

Primary Examiner — Robert Delehanty

(21) Appl. No.: **29/413,420**

(57) **CLAIM**

The ornamental design for a toilet assistive device for the physically handicapped, as shown and described.

(22) Filed: **Feb. 15, 2012**

DESCRIPTION

(51) **LOC (9) Cl.** **23-02**

(52) **U.S. Cl.** **D23/309**

(58) **Field of Classification Search** D23/271,
D23/303, 309; 4/465, 467, 480, 664; D6/369,
D6/379-380, 500

See application file for complete search history.

FIG. 1 is a front view of toilet assistive device for the physically handicapped showing my new design;
FIG. 2 is a back view thereof;
FIG. 3 is a side view thereof;
FIG. 4 is an opposite side view thereof;
FIG. 5 is a top view thereof;
FIG. 6 is a bottom view thereof;
FIG. 7 is a perspective view of the present invention; and,
FIG. 8 is another perspective view of the present invention in a condition of use.

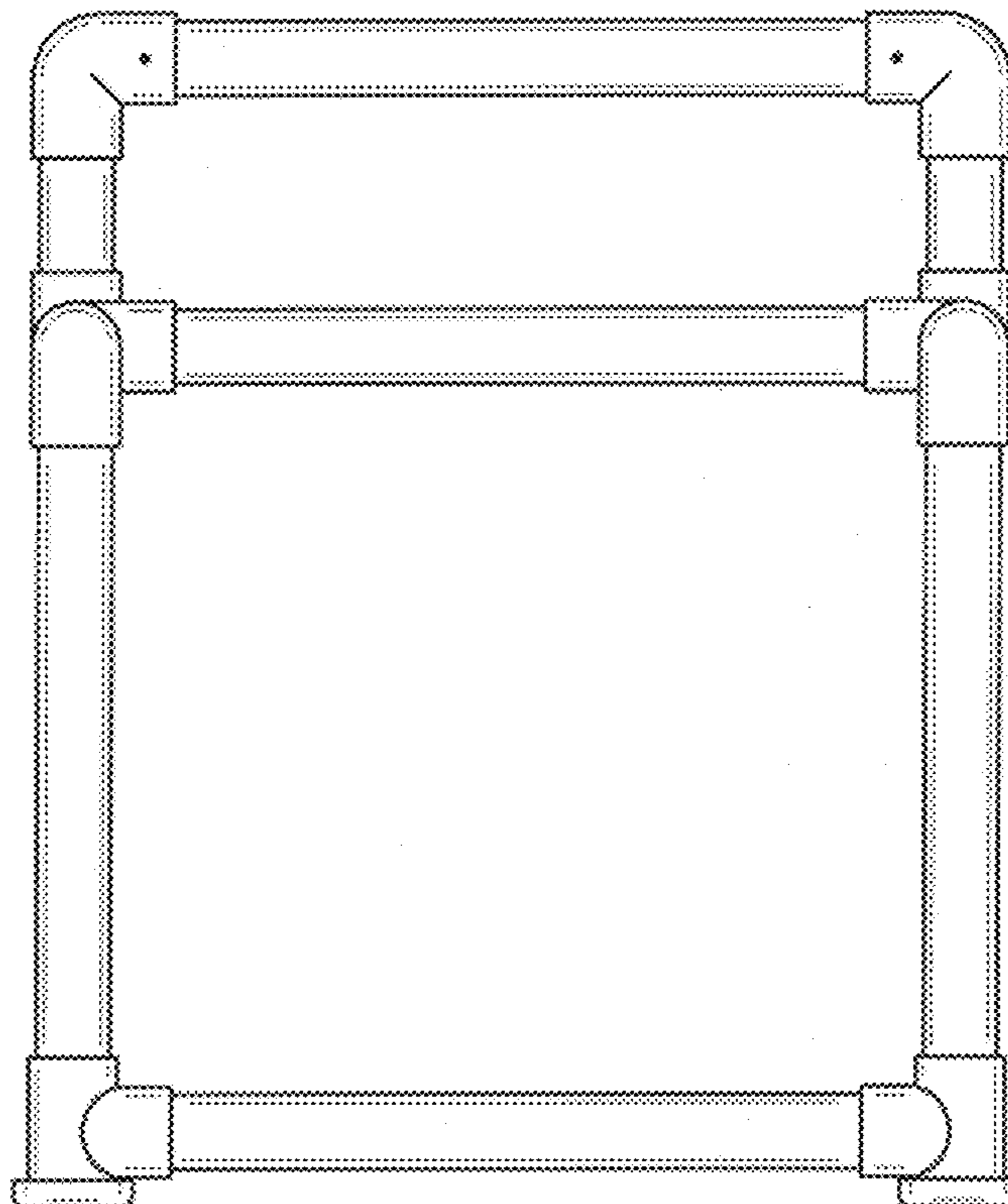
In FIG. 8, the broken lines showing of environmental structure for purposes of illustrating the toilet assistive device for the physically handicapped in a condition of use. The broken lines and the structure they depict form no part of the claimed design.

(56) **References Cited**

U.S. PATENT DOCUMENTS

D179,394 S	12/1956	Mills	
2,773,542 A	12/1956	Chasin	
2,903,714 A	9/1959	Grondona	
4,144,597 A	3/1979	Guenther et al.	
D279,848 S *	7/1985	Kusiak D23/309
4,587,678 A *	5/1986	Love et al. 4/667
4,685,157 A	8/1987	James	
4,894,871 A	1/1990	Schmerler	
5,526,537 A *	6/1996	Conrad 4/483
6,286,154 B1	9/2001	Pitts et al.	

1 Claim, 8 Drawing Sheets



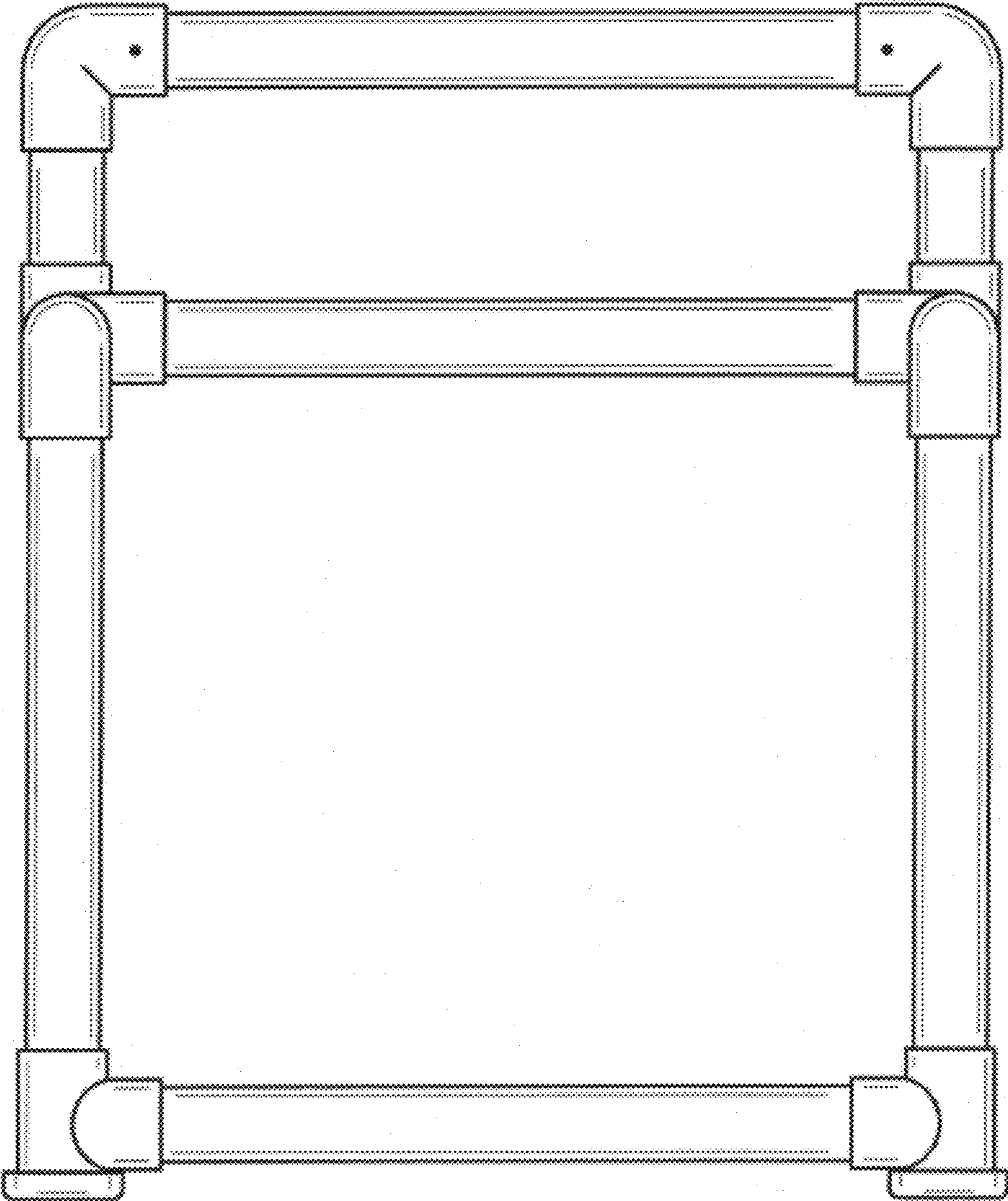


FIG. 1

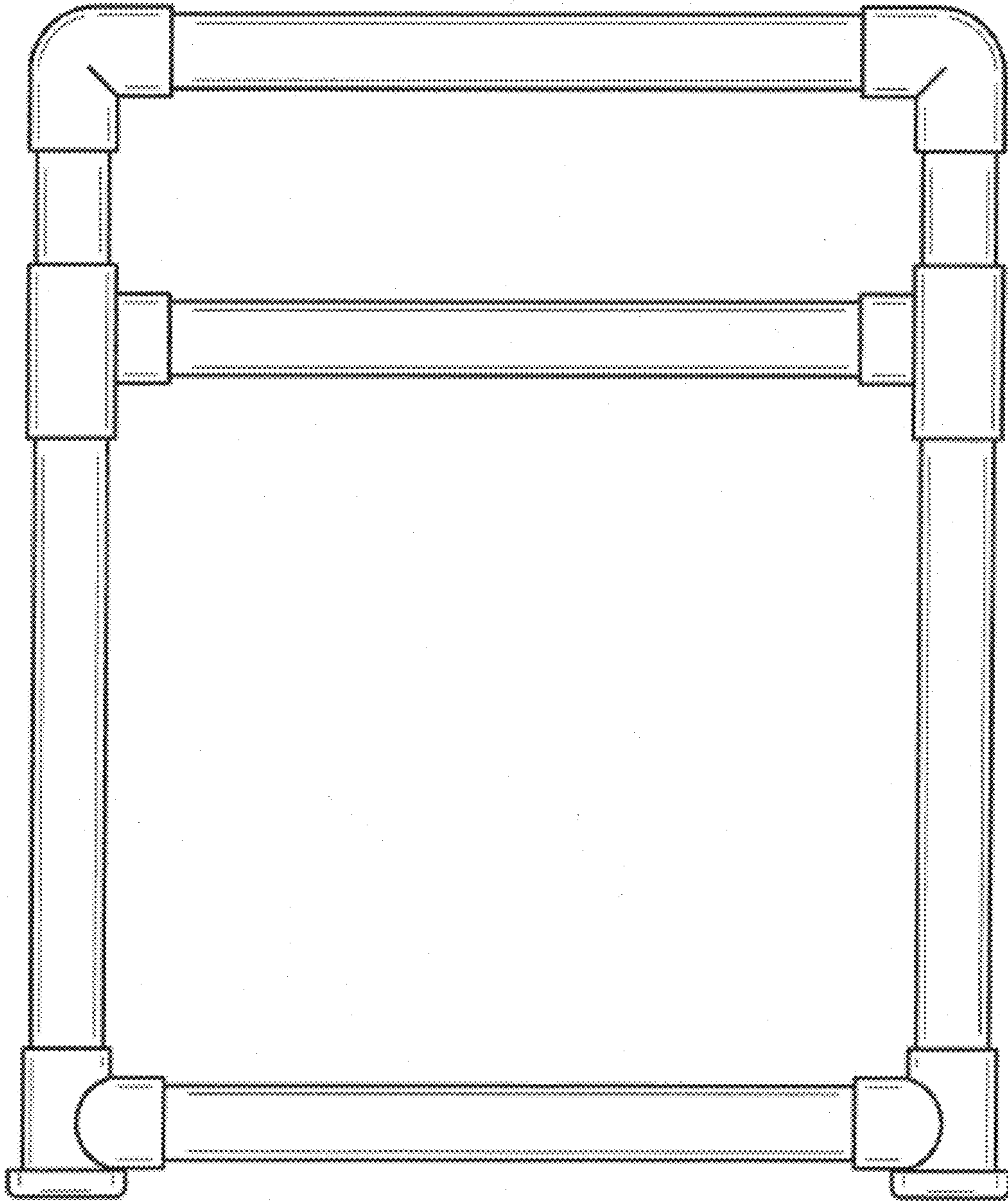


FIG. 2

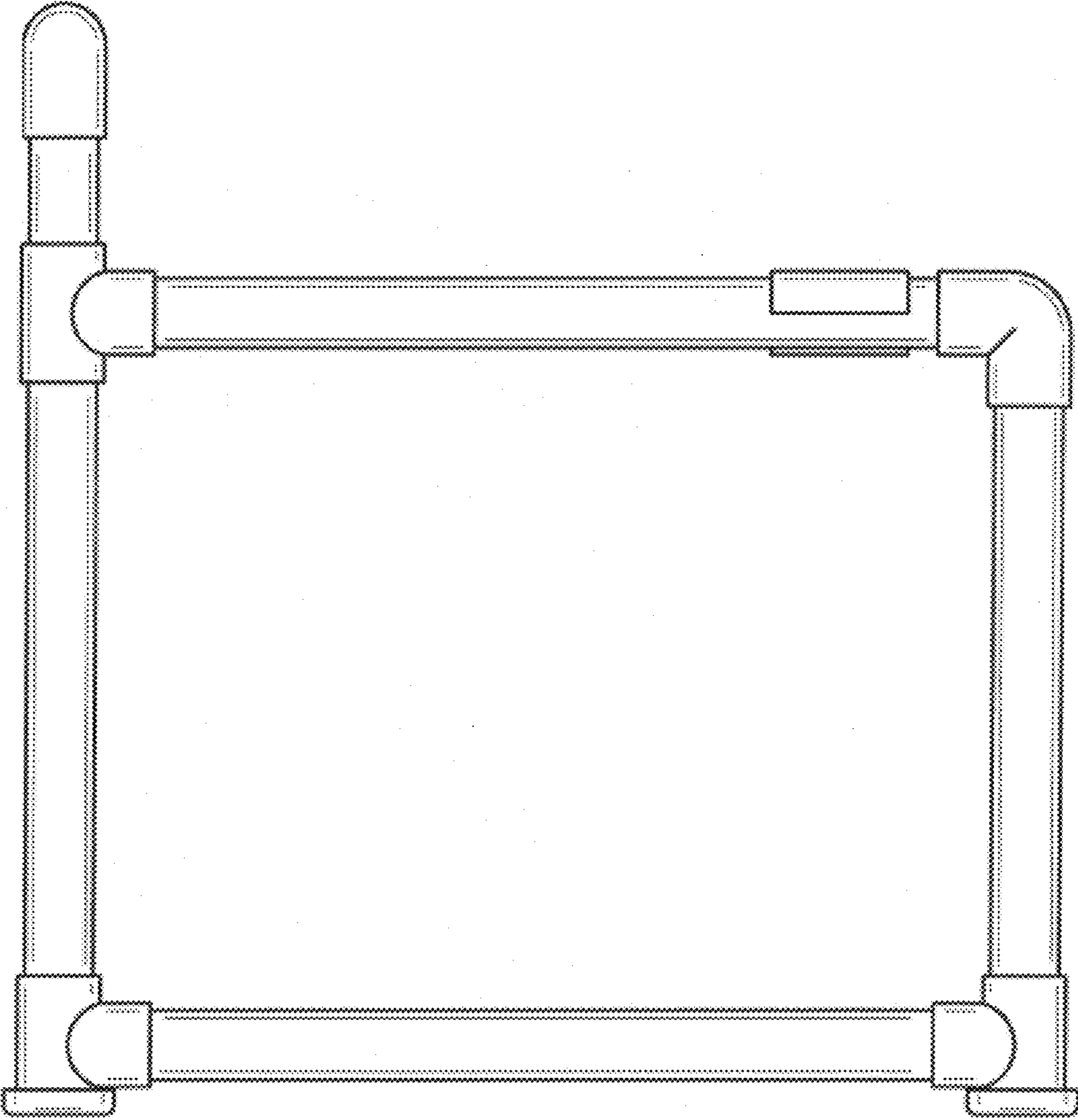


FIG. 3

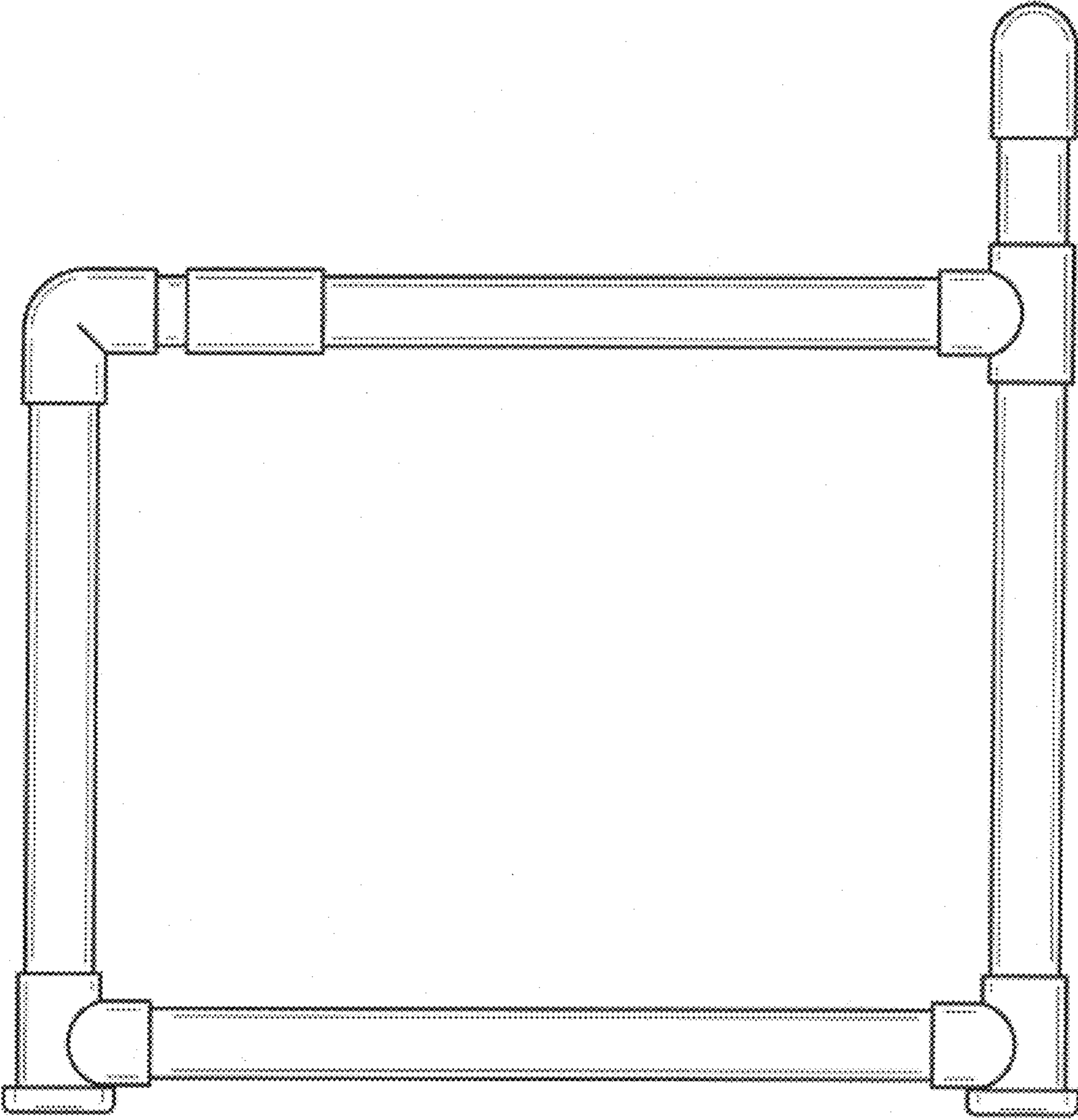


FIG. 4

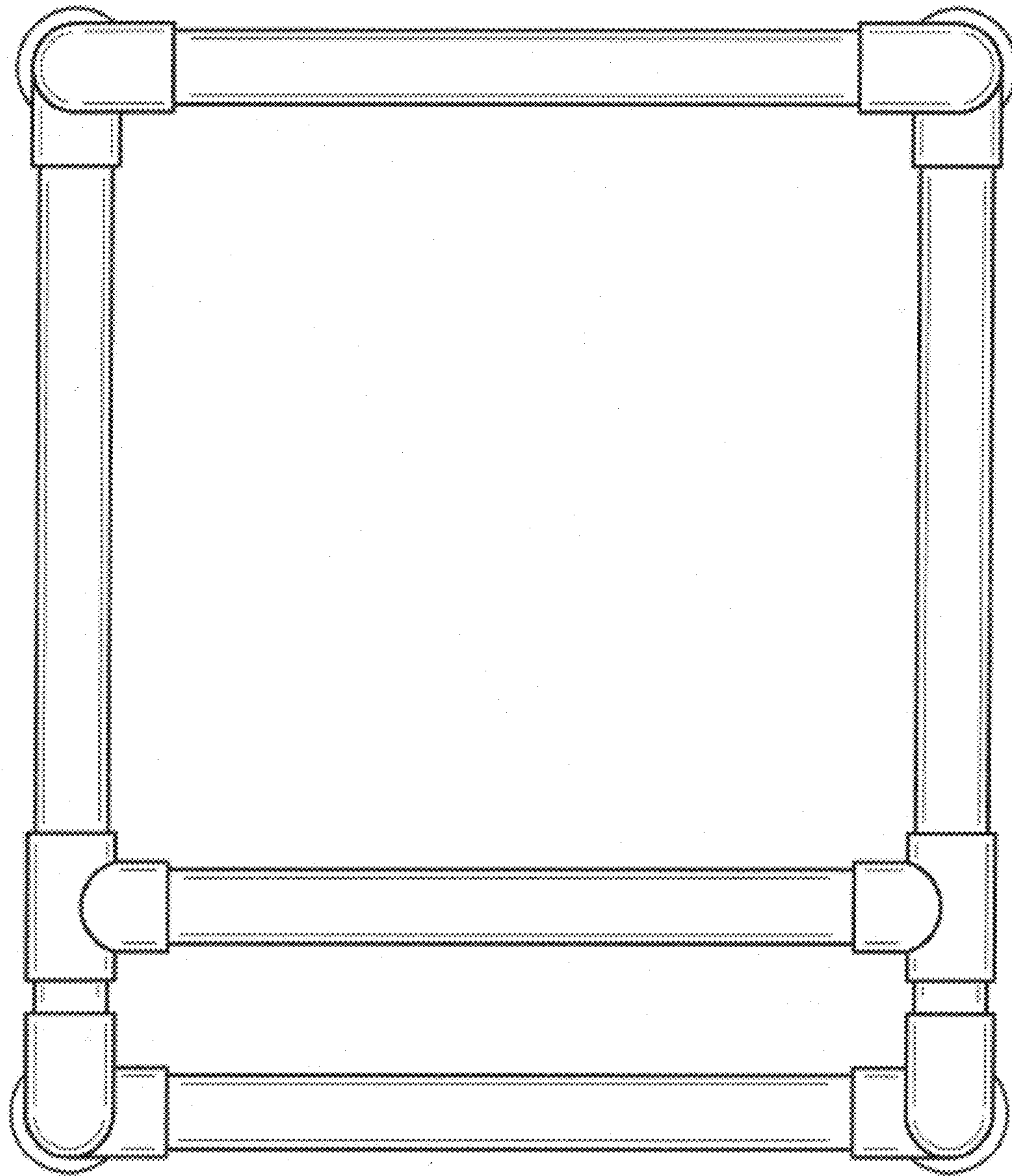


FIG. 5

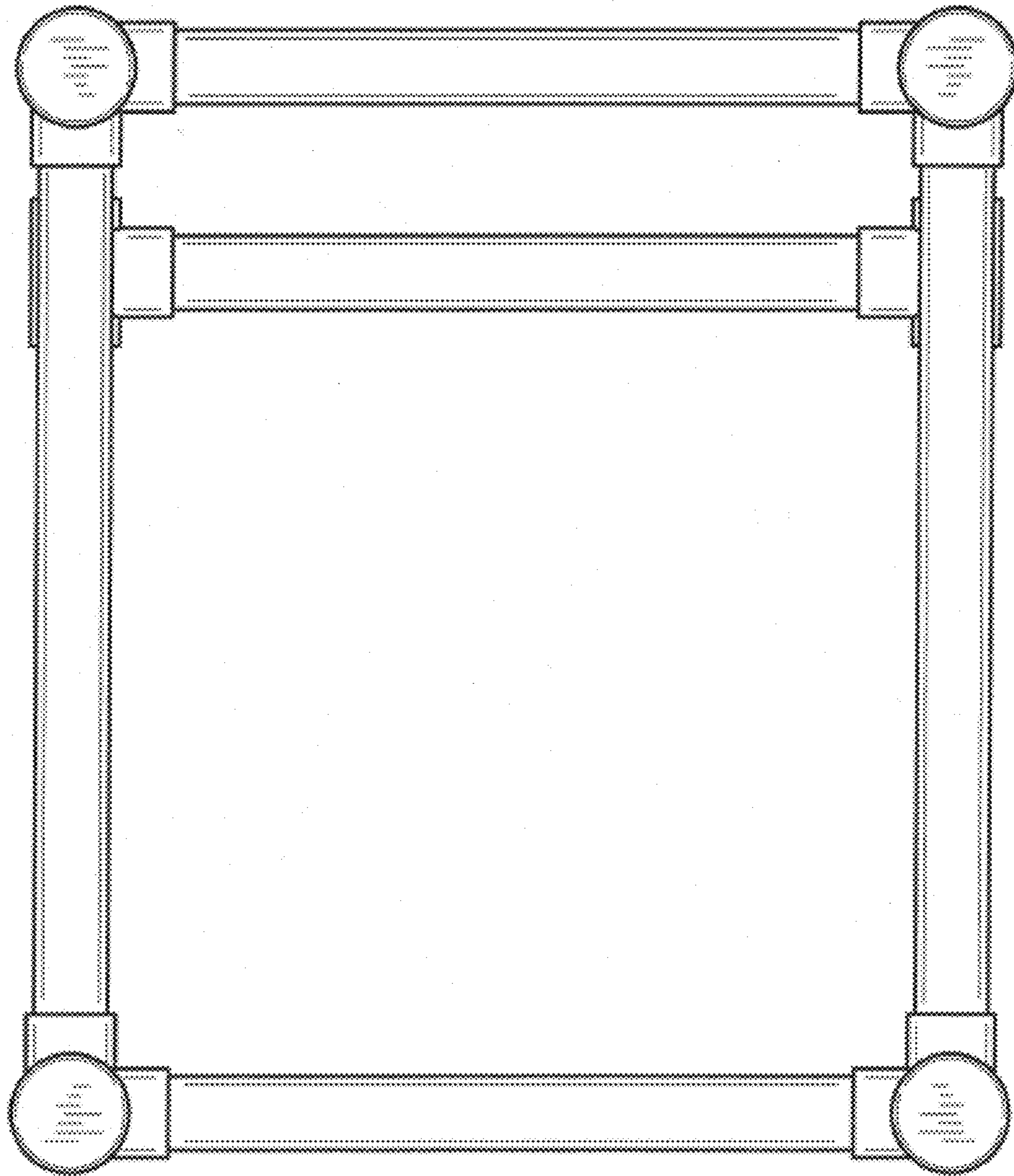


FIG. 6

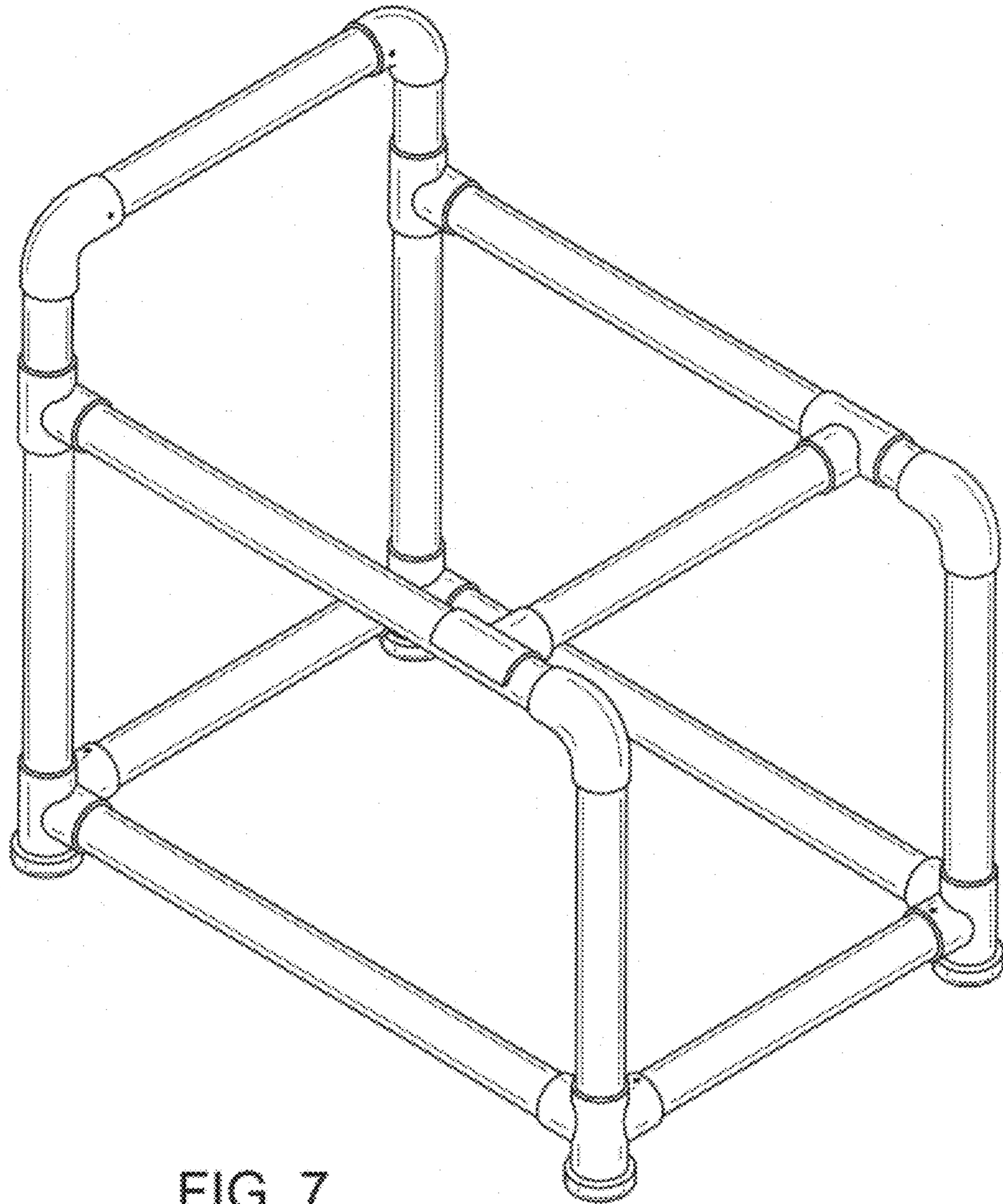


FIG. 7

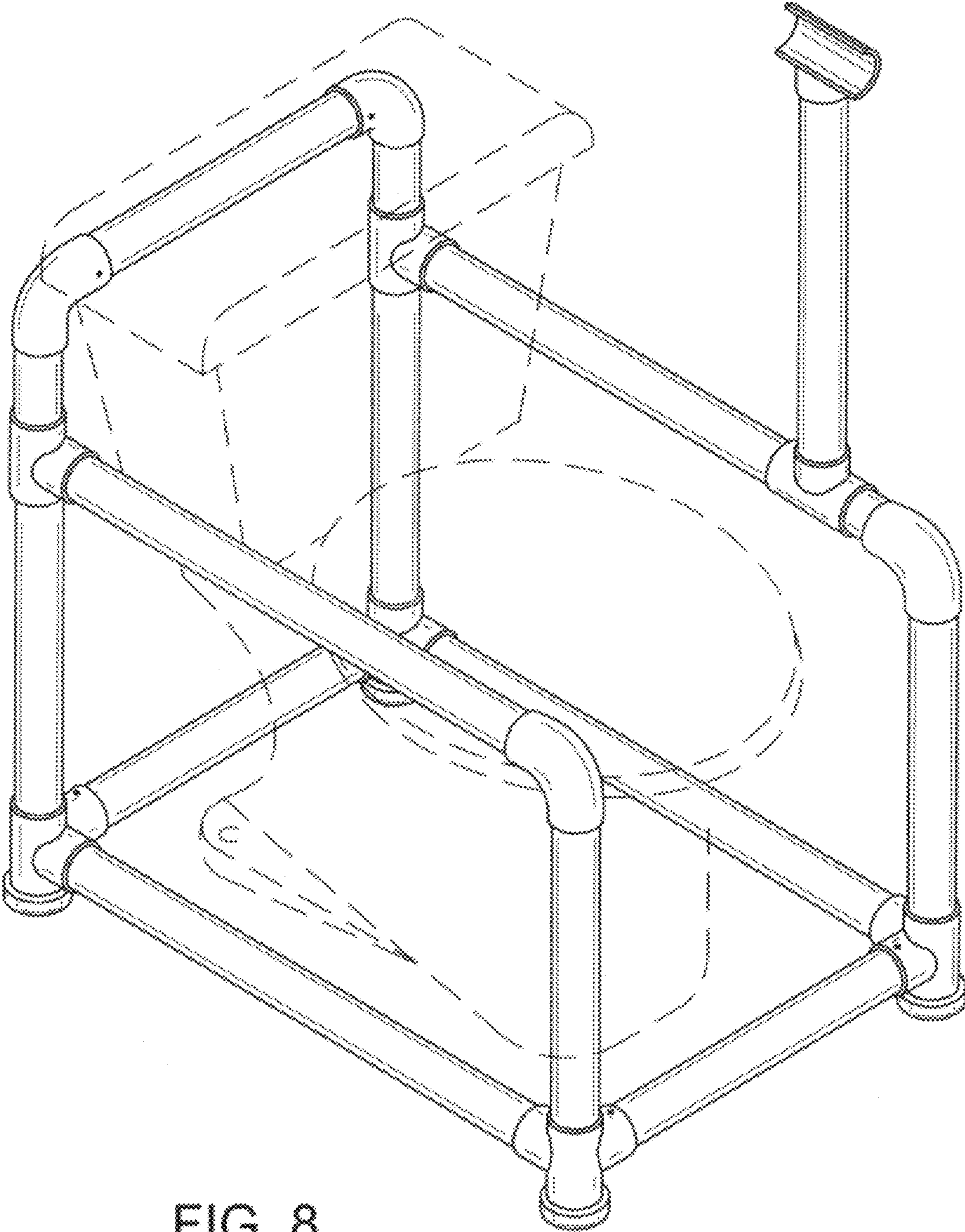


FIG. 8