



US00D668743S

(12) **United States Design Patent**
Kennedy et al.

(10) **Patent No.:** **US D668,743 S**

(45) **Date of Patent:** **** Oct. 9, 2012**

(54) **KITCHEN AERATOR**

(75) Inventors: **Kevin Kennedy**, Parsippany, NJ (US);
Kyle Cutler, Far Hills, NJ (US); **David Denker**, Woodcliff Lake, NJ (US)

(73) Assignee: **Niagara Conservation Corp.**, Cedar Knolls, NJ (US)

(**) Term: **14 Years**

(21) Appl. No.: **29/405,680**

(22) Filed: **Nov. 4, 2011**

(51) **LOC (9) Cl.** **23-01**

(52) **U.S. Cl.** **D23/213**

(58) **Field of Classification Search** D23/213,
D23/249; 239/428.5; 261/DIG. 22
See application file for complete search history.

(56) **References Cited**

U.S. PATENT DOCUMENTS

D191,691	S *	10/1961	Shanes et al.	D23/230
3,362,648	A *	1/1968	Aghnides	239/428.5
3,635,405	A *	1/1972	Shames et al.	239/428.5
6,513,731	B2 *	2/2003	Griffin et al.	239/394

* cited by examiner

Primary Examiner — Robin V Webster

(74) *Attorney, Agent, or Firm* — Lerner, David, Littenberg, Krumholz & Mentlik, LLP

(57) **CLAIM**

We claim the ornamental design for a kitchen aerator, as shown and described.

DESCRIPTION

FIG. 1 is a right side perspective view of a kitchen aerator in accordance with the present invention; FIG. 2 is a front elevational view of the kitchen aerator in accordance with the present invention; FIG. 3 is a rear elevational view of the kitchen aerator in accordance with the present invention; and, FIG. 4 is a left side elevational view of the kitchen aerator in accordance with the present invention, the right side elevational view being the mirror image thereof.

1 Claim, 2 Drawing Sheets

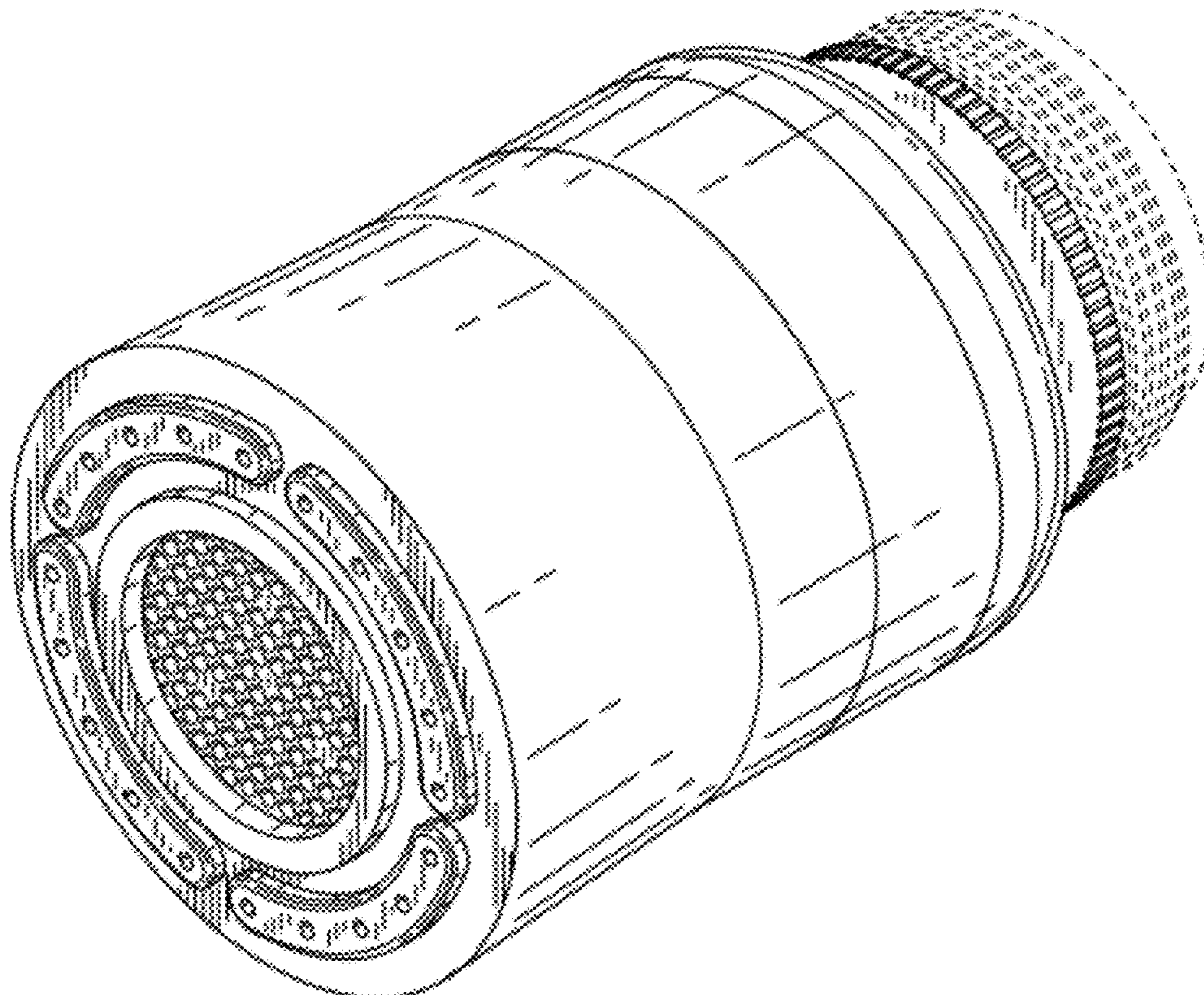


FIG. 1

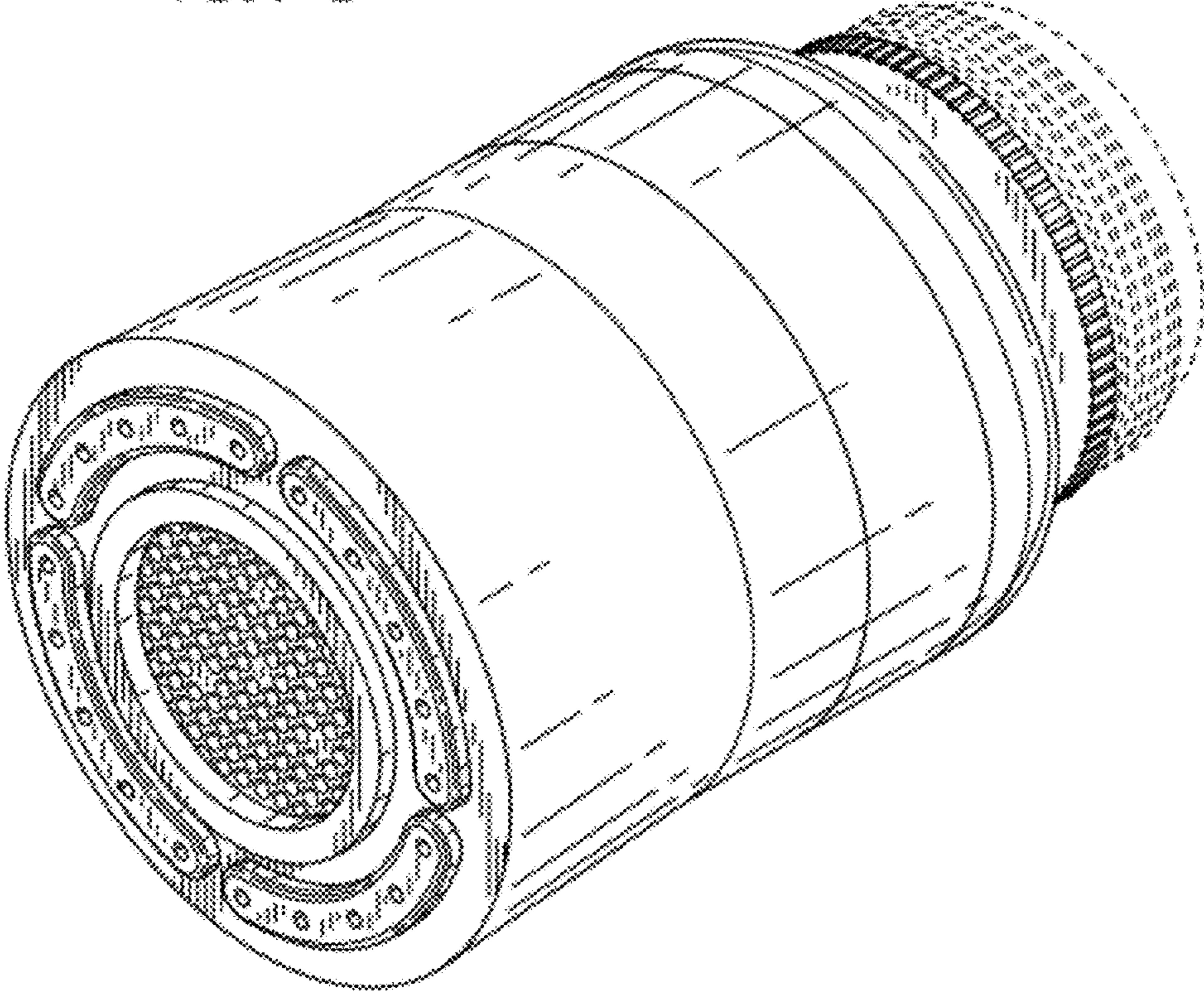


FIG. 2

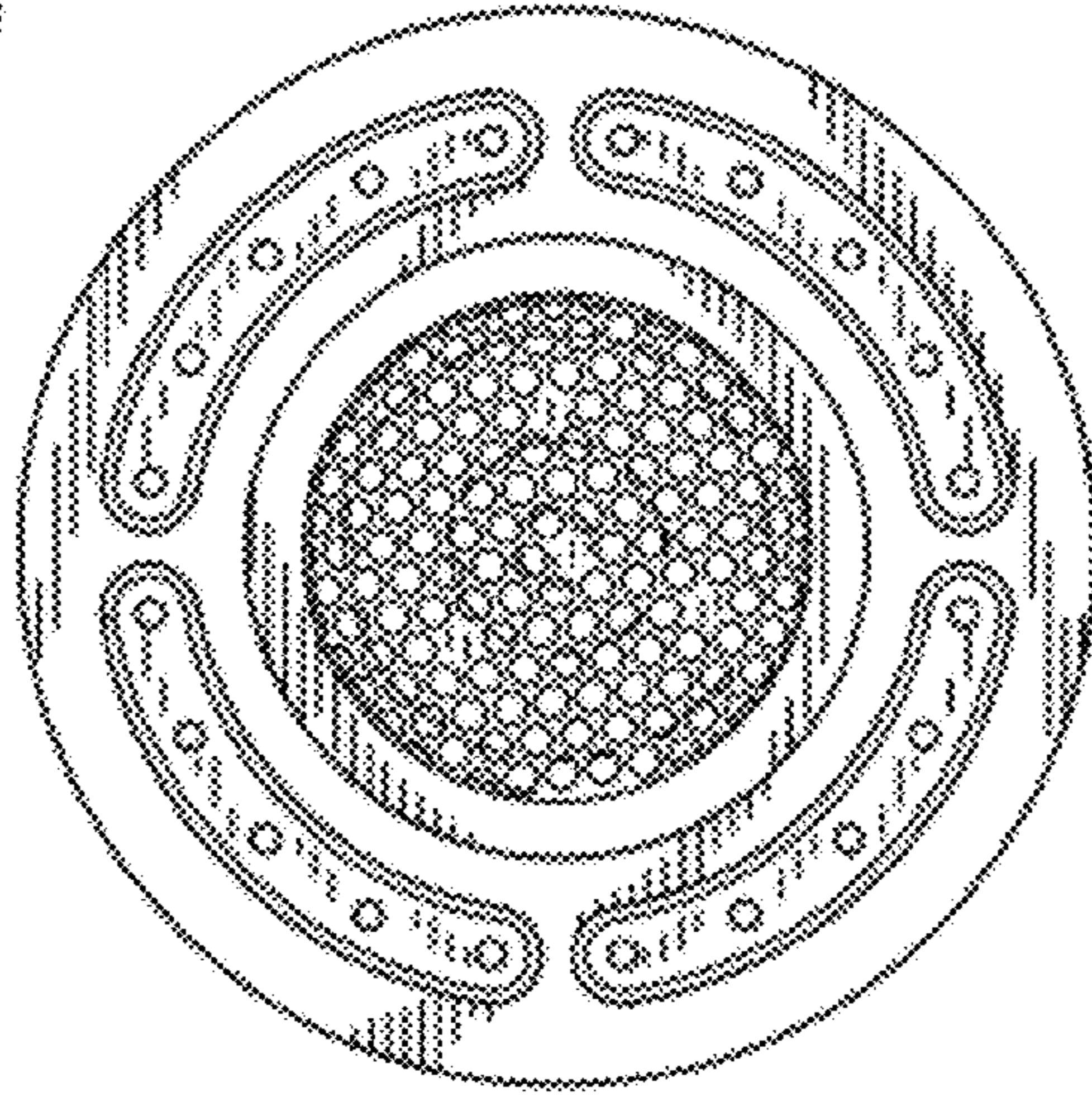


FIG. 3

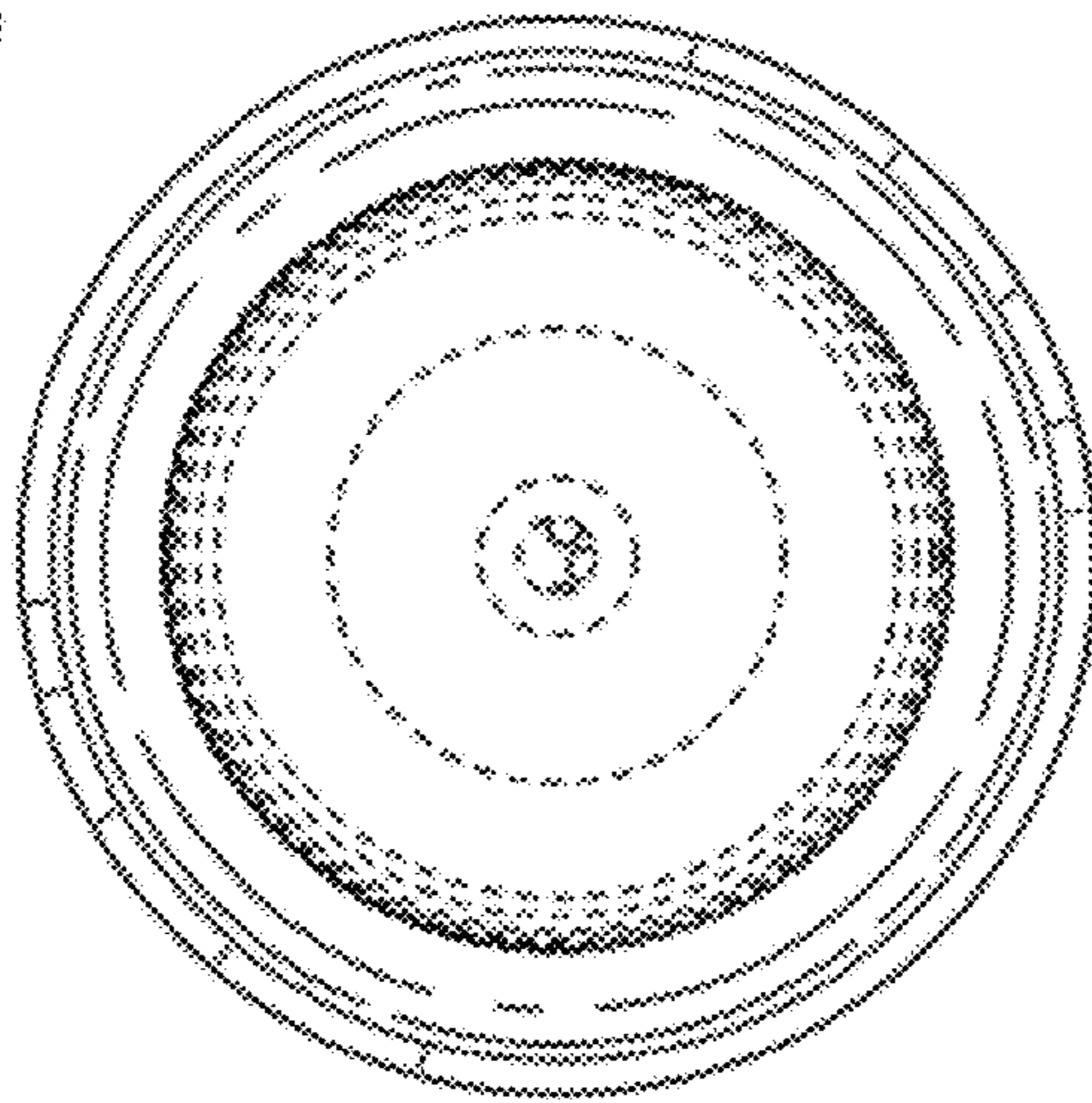


FIG. 4

