



US00D668742S

(12) **United States Design Patent**
English

(10) **Patent No.:** **US D668,742 S**

(45) **Date of Patent:** **** Oct. 9, 2012**

(54) **PORTABLE PLUMBING SPRINKLER HEAD
ARRAY**

7,384,183 B2 * 6/2008 Smith 366/162.1
D645,118 S * 9/2011 Shepherd D23/213
D645,936 S * 9/2011 Shepherd D23/213
D655,782 S * 3/2012 Gill D23/214

(76) Inventor: **Philip English**, South Amboy, NJ (US)

* cited by examiner

(**) Term: **14 Years**

Primary Examiner — Robin V Webster

(21) Appl. No.: **29/402,140**

(74) *Attorney, Agent, or Firm* — Pharmaceutical Patent
Atty's, LLC

(22) Filed: **Sep. 21, 2011**

(51) **LOC (9) Cl.** **23-01**

(52) **U.S. Cl.** **D23/213**

(58) **Field of Classification Search** D23/213,
D23/201; 366/162.1; 239/556, 548, 542
See application file for complete search history.

(57) **CLAIM**

I claim the ornamental design for a portable plumbing sprin-
kler head array, as shown and described.

DESCRIPTION

FIG. 1 is a bottom perspective view of the plumbing array of
our design embodiment thereof;
FIG. 2 is a right side elevation view thereof;
FIG. 3 is a left side elevation view thereof;
FIG. 4 is an end elevation view thereof;
FIG. 5 is an end elevation view thereof;
FIG. 6 is a bottom plan view thereof; and,
FIG. 7 is a top plan view thereof.

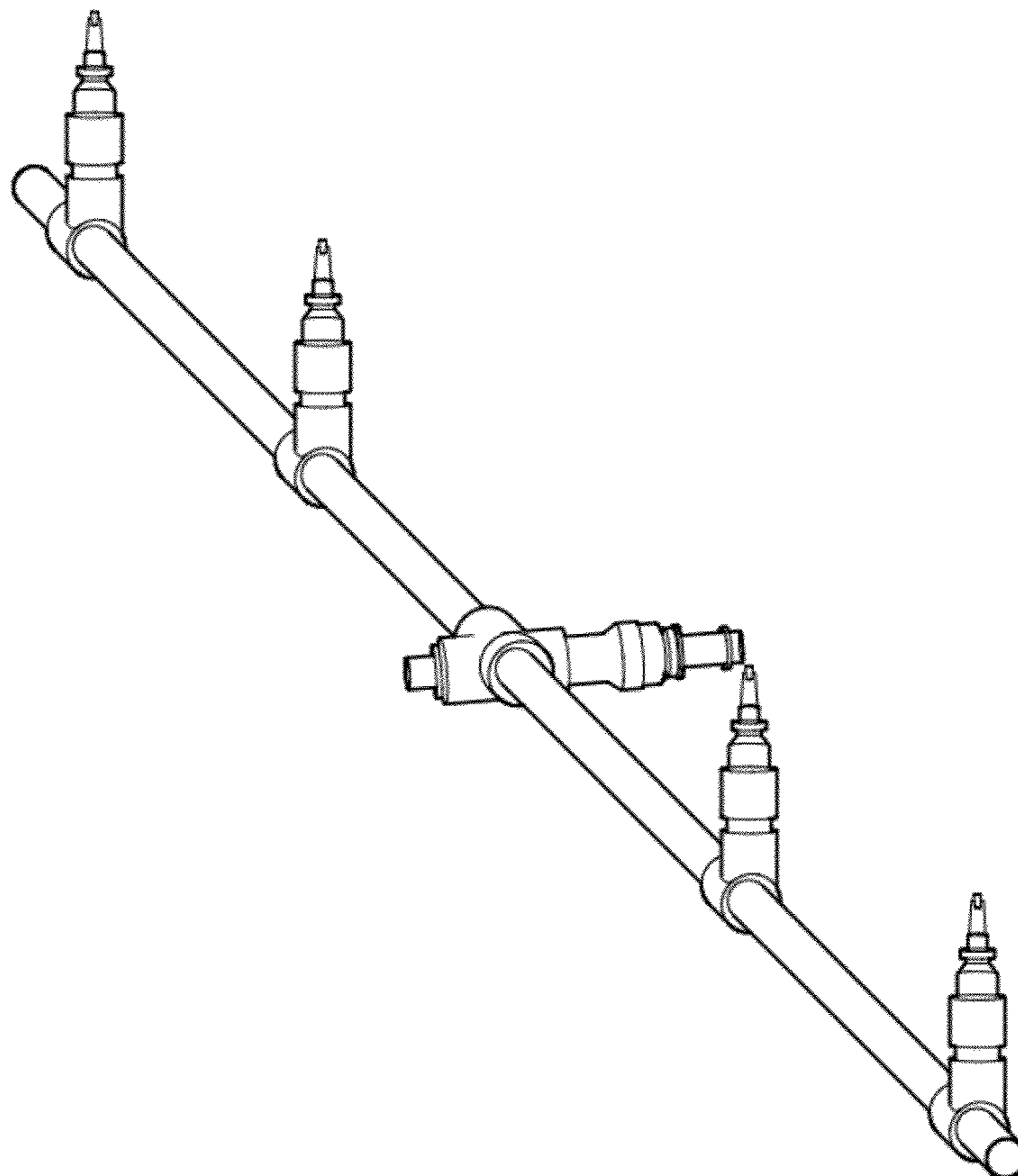
The intended use of the article in which the design is embod-
ied is to provide a portable decontamination unit to first
responders, which needs little assembly time.

1 Claim, 4 Drawing Sheets

(56) **References Cited**

U.S. PATENT DOCUMENTS

1,462,903	A *	7/1923	Finley	239/551
1,788,469	A *	1/1931	Mielke	239/505
2,629,632	A *	2/1953	Munson	239/590.3
2,775,482	A *	12/1956	Schutz	239/398
D311,053	S *	10/1990	Delepine	D23/213
D353,873	S *	12/1994	Schoeneman	D23/213
6,065,693	A *	5/2000	Lukas	239/548
D502,983	S *	3/2005	Mitjans	D23/201
6,923,716	B2 *	8/2005	Koeger	454/230
D520,101	S *	5/2006	Mitjans	D23/201



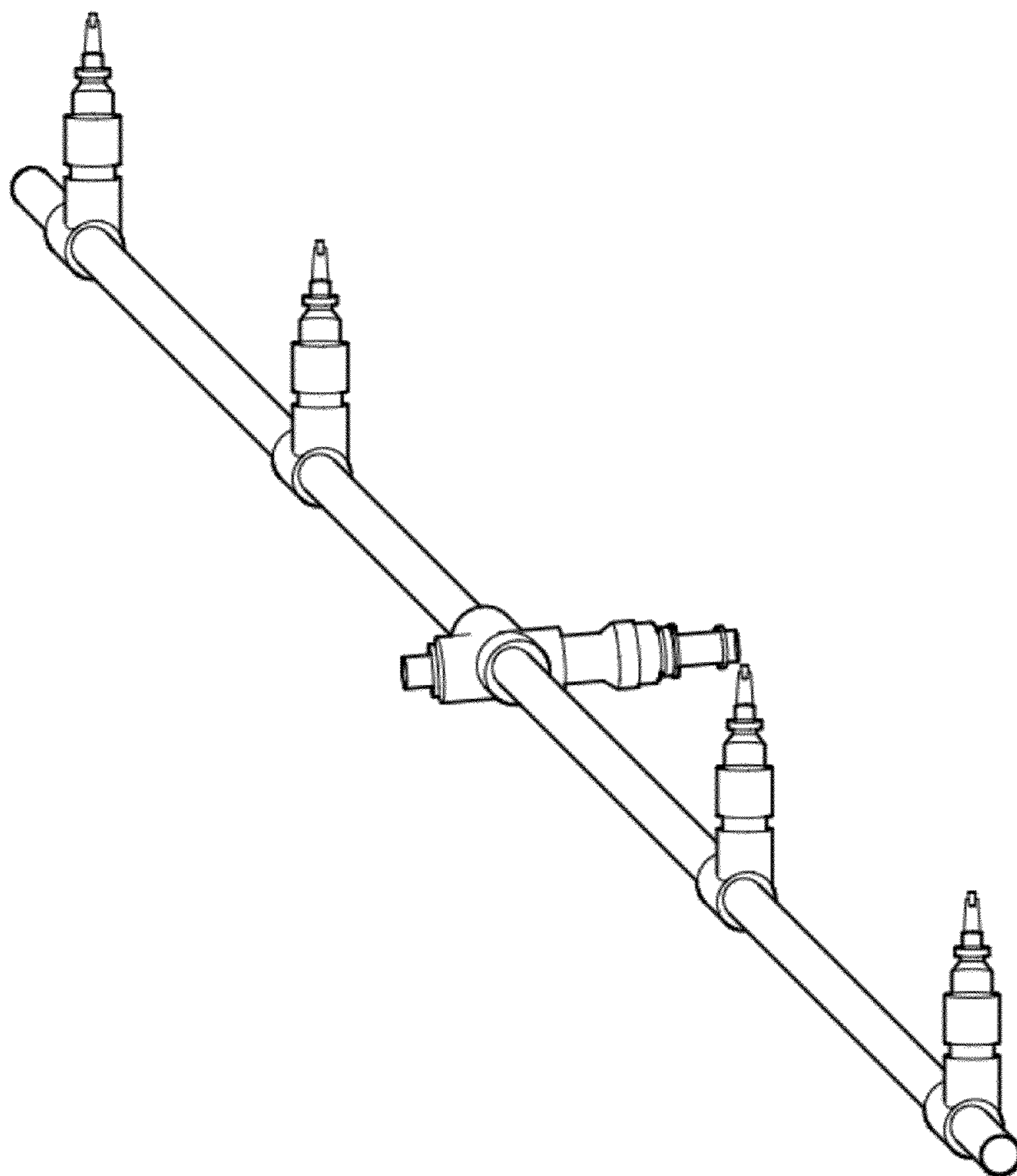


FIG. 1

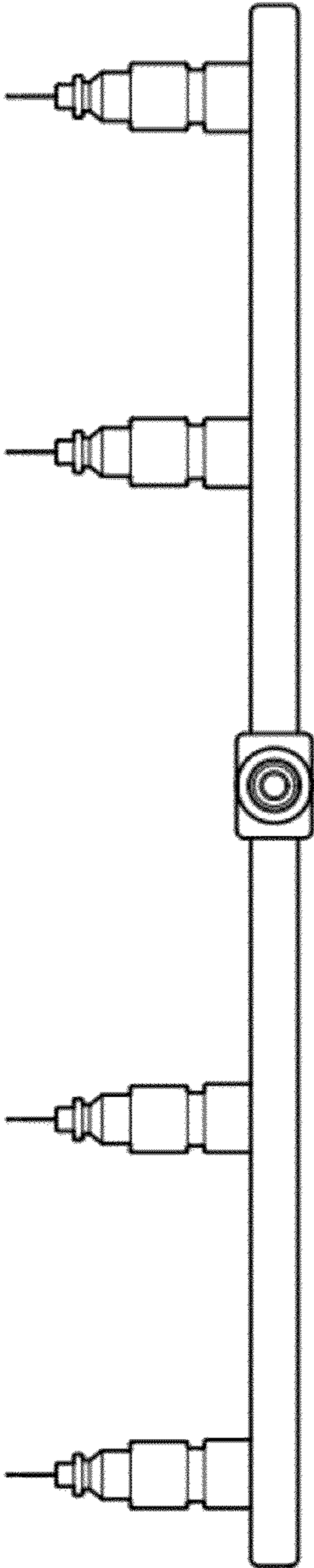


FIG. 2

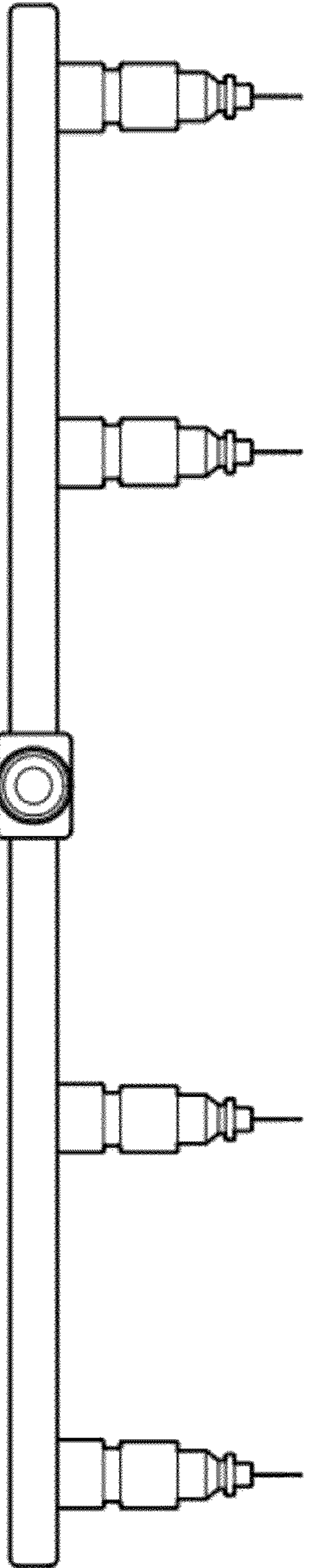


FIG. 3

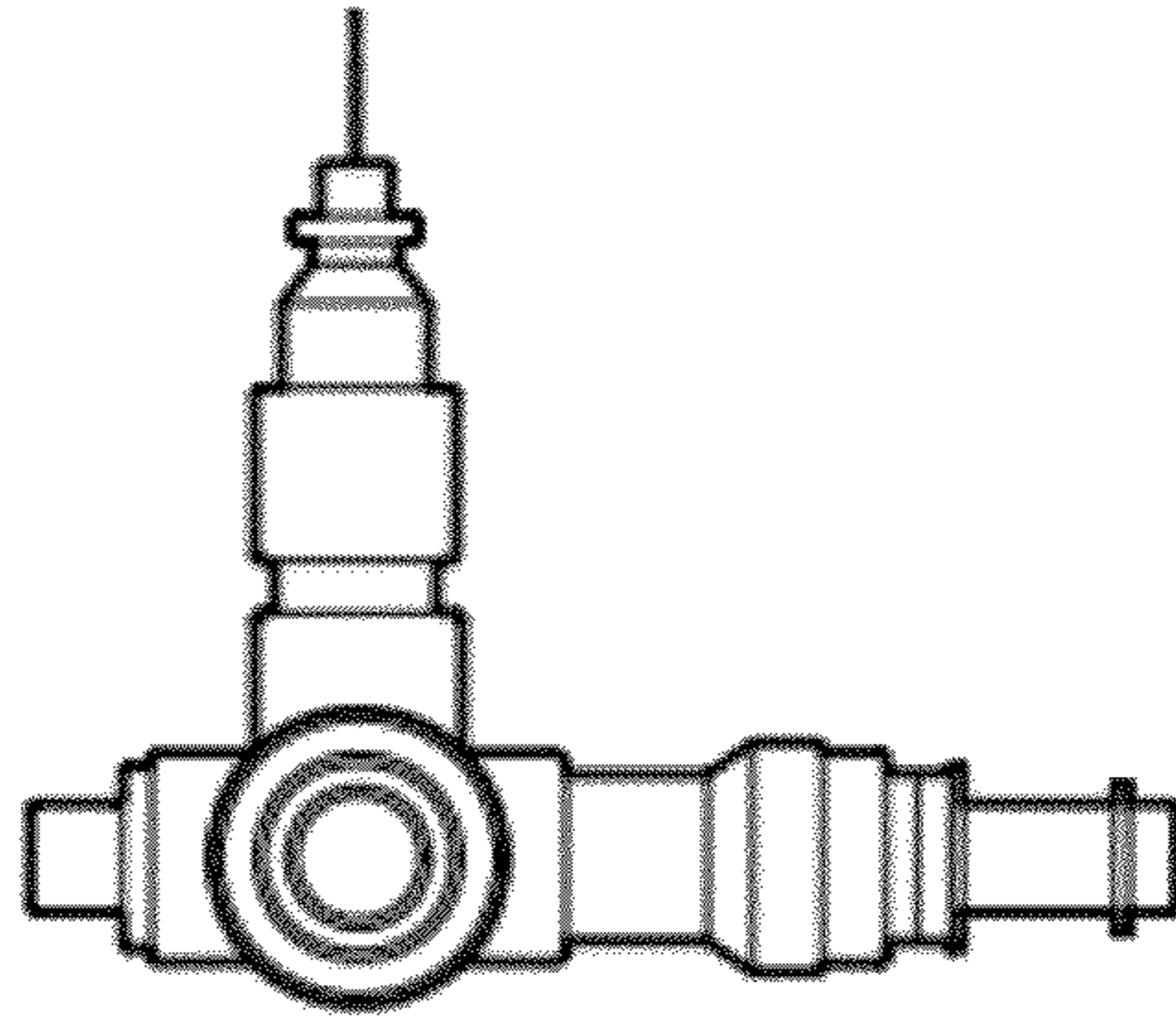


FIG. 4

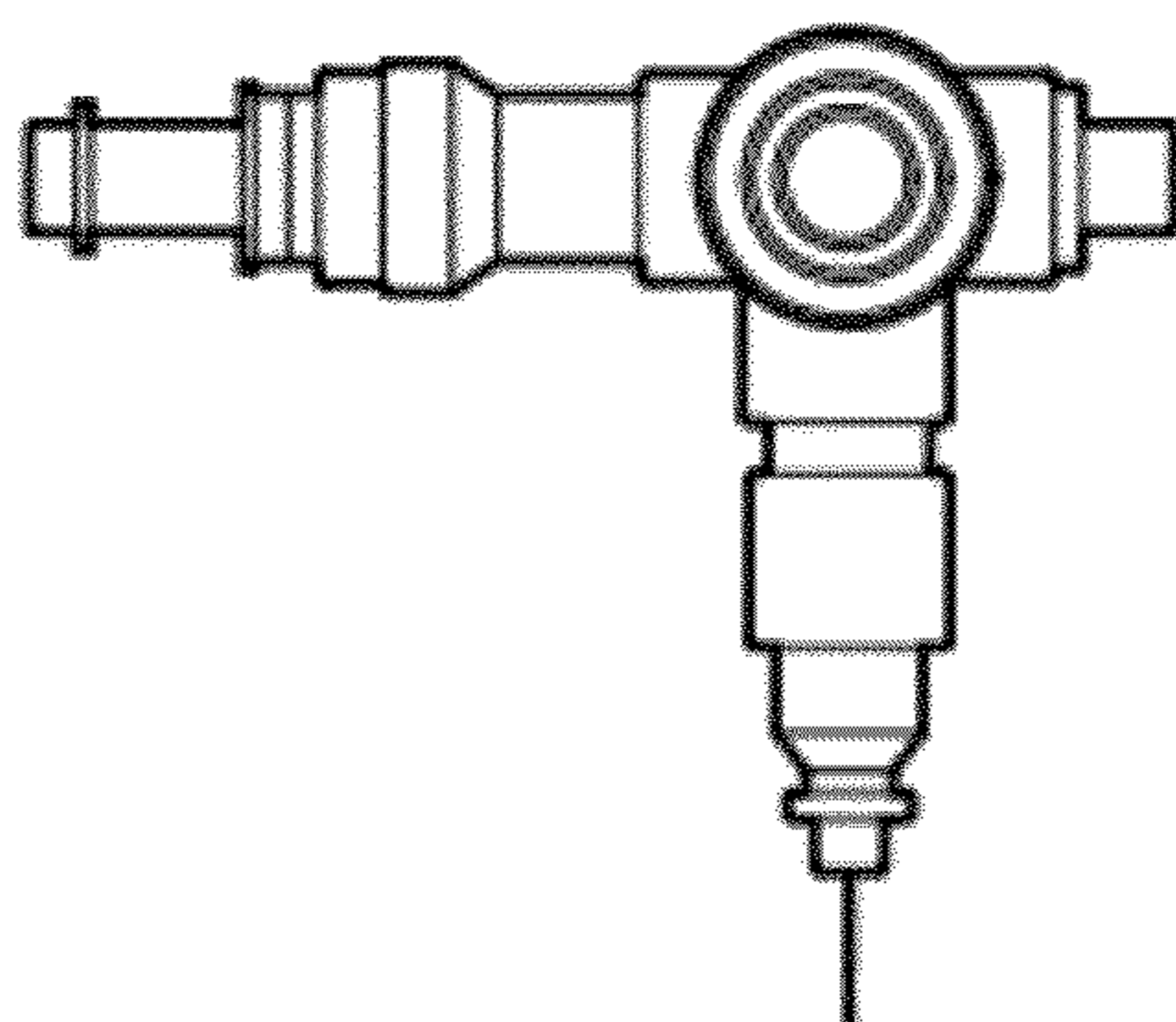


FIG. 5

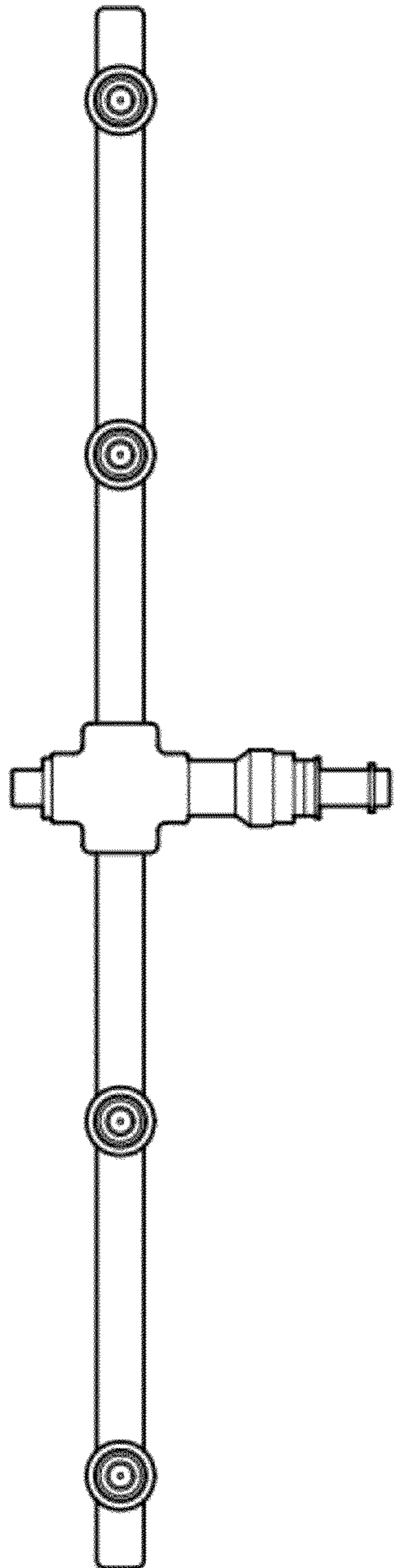


FIG. 6

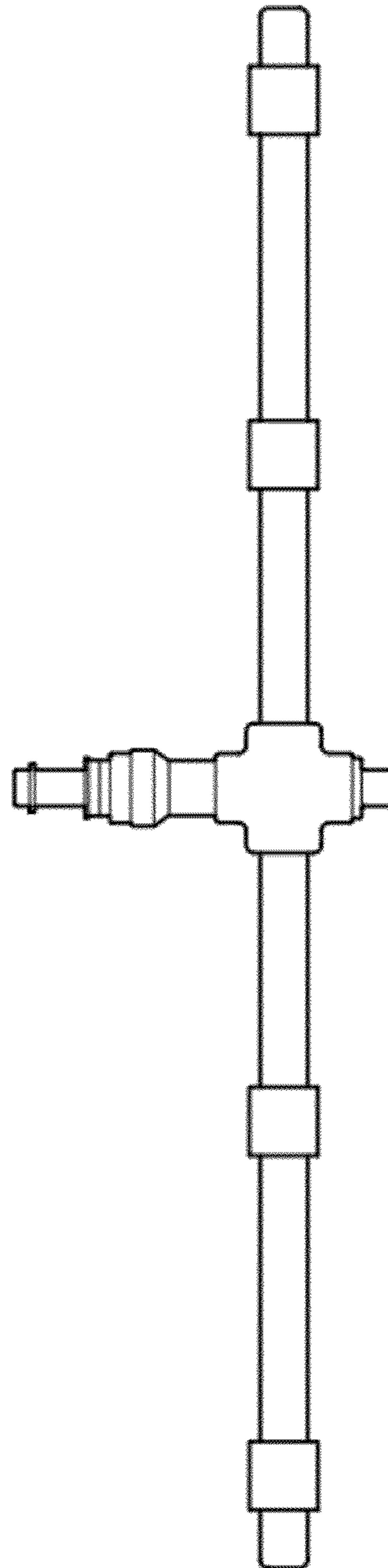


FIG. 7