



US00D668741S

(12) **United States Design Patent**
Choi

(10) **Patent No.:** **US D668,741 S**

(45) **Date of Patent:** **** Oct. 9, 2012**

(54) **WATER PURIFIER FOR A SINK**

(75) Inventor: **Hun Jung Choi**, Seoul (KR)

(73) Assignee: **Woongjin Coway Co., Ltd.**,
Choongcheongnam-do (KR)

(**) Term: **14 Years**

(21) Appl. No.: **29/409,956**

(22) Filed: **Dec. 30, 2011**

(30) **Foreign Application Priority Data**

Jul. 1, 2011 (KR) 30-2011-0027232

(51) **LOC (9) Cl.** **23-01**

(52) **U.S. Cl.** **D23/209**

(58) **Field of Classification Search** D23/207,
D23/209; 210/340, 341
See application file for complete search history.

(56) **References Cited**

U.S. PATENT DOCUMENTS

D290,638 S * 6/1987 Bishop D23/207
D314,607 S * 2/1991 Kapec et al. D23/209
D407,462 S * 3/1999 Bishop et al. D23/207
D519,186 S * 4/2006 Oranski et al. D23/209
D547,826 S * 7/2007 Kennedy et al. D23/209

D547,827 S * 7/2007 Kennedy et al. D23/209
D610,650 S * 2/2010 Kulikov et al. D23/209
D641,066 S 7/2011 Choi
D656,578 S * 3/2012 Sherman et al. D23/209
D656,579 S * 3/2012 Sherman et al. D23/209

* cited by examiner

Primary Examiner — Robin V Webster

(74) *Attorney, Agent, or Firm* — McDermott Will & Emery
LLP

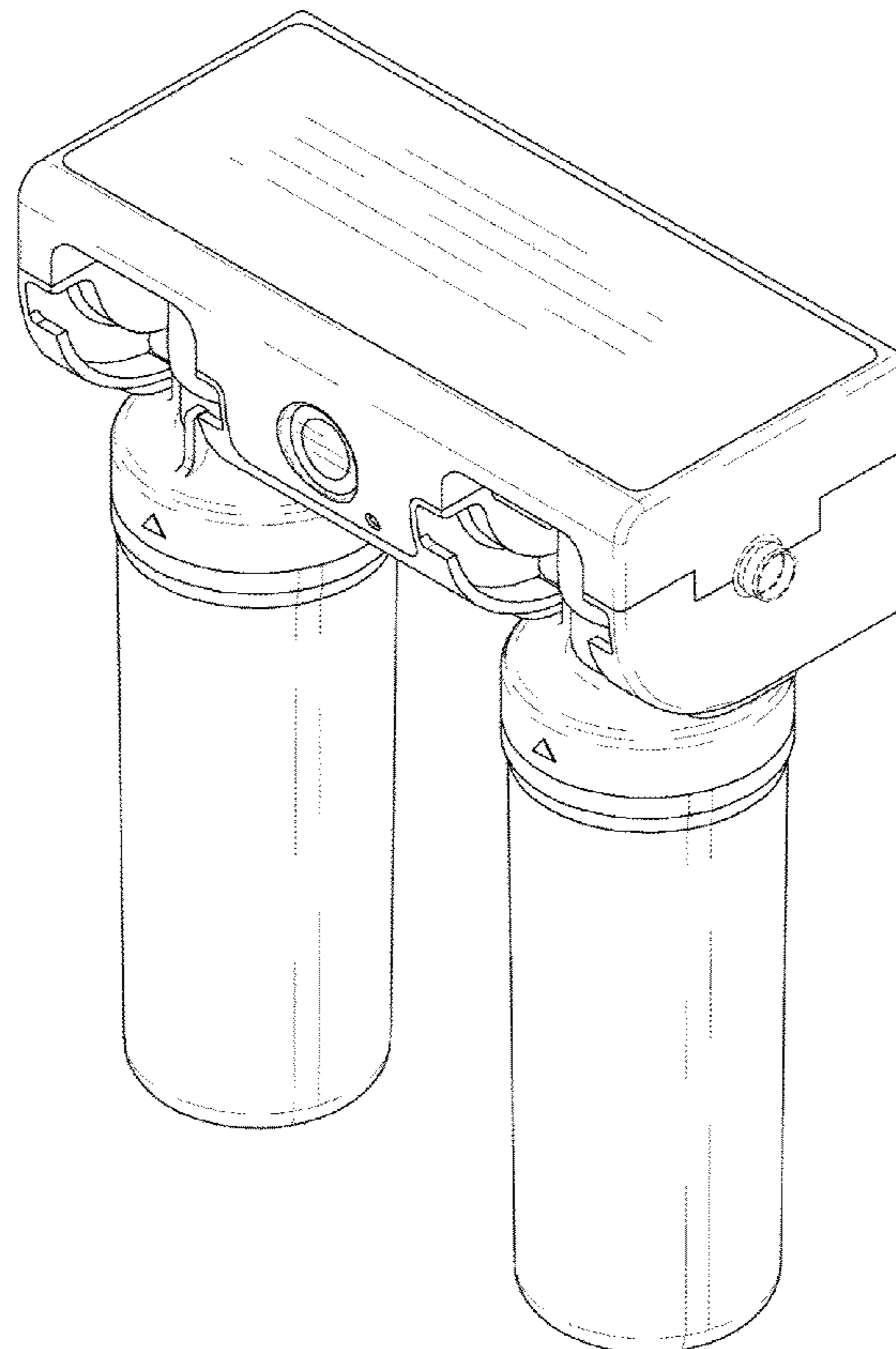
(57) **CLAIM**

The ornamental design for a water purifier for a sink, as shown and described.

DESCRIPTION

FIG. 1 is a perspective view of a water purifier for a sink in accordance with my new design;
FIG. 2 is a front view thereof;
FIG. 3 is a rear view thereof;
FIG. 4 is a right side view thereof, the left side view thereof being a mirror image of the right side view;
FIG. 5 is a top plan view thereof; and,
FIG. 6 is a bottom view thereof.
The broken line showing on the sides and bottom of the water purifier is for the purpose of illustration and forms no part of the claimed design.

1 Claim, 5 Drawing Sheets



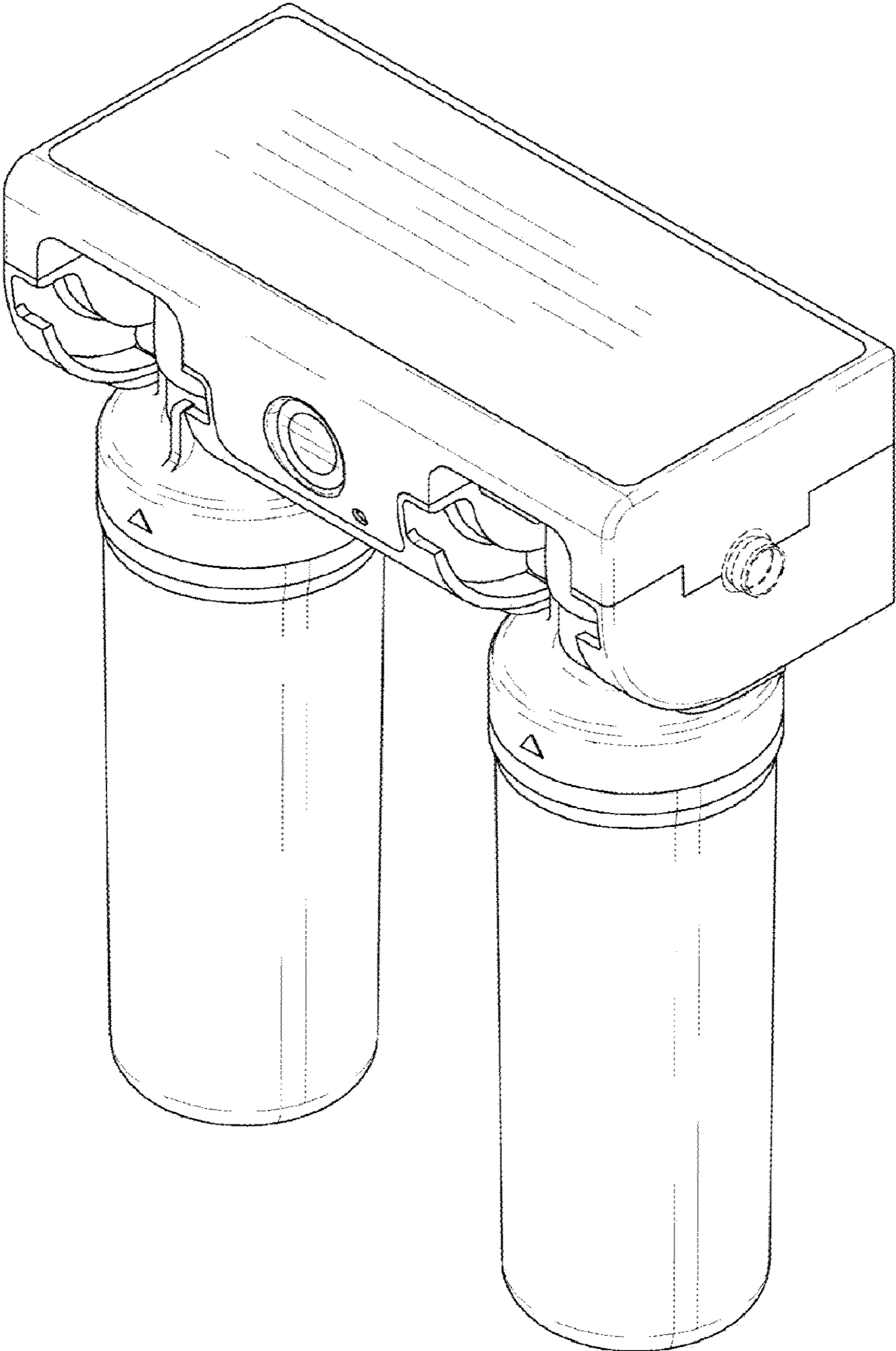


FIG. 1

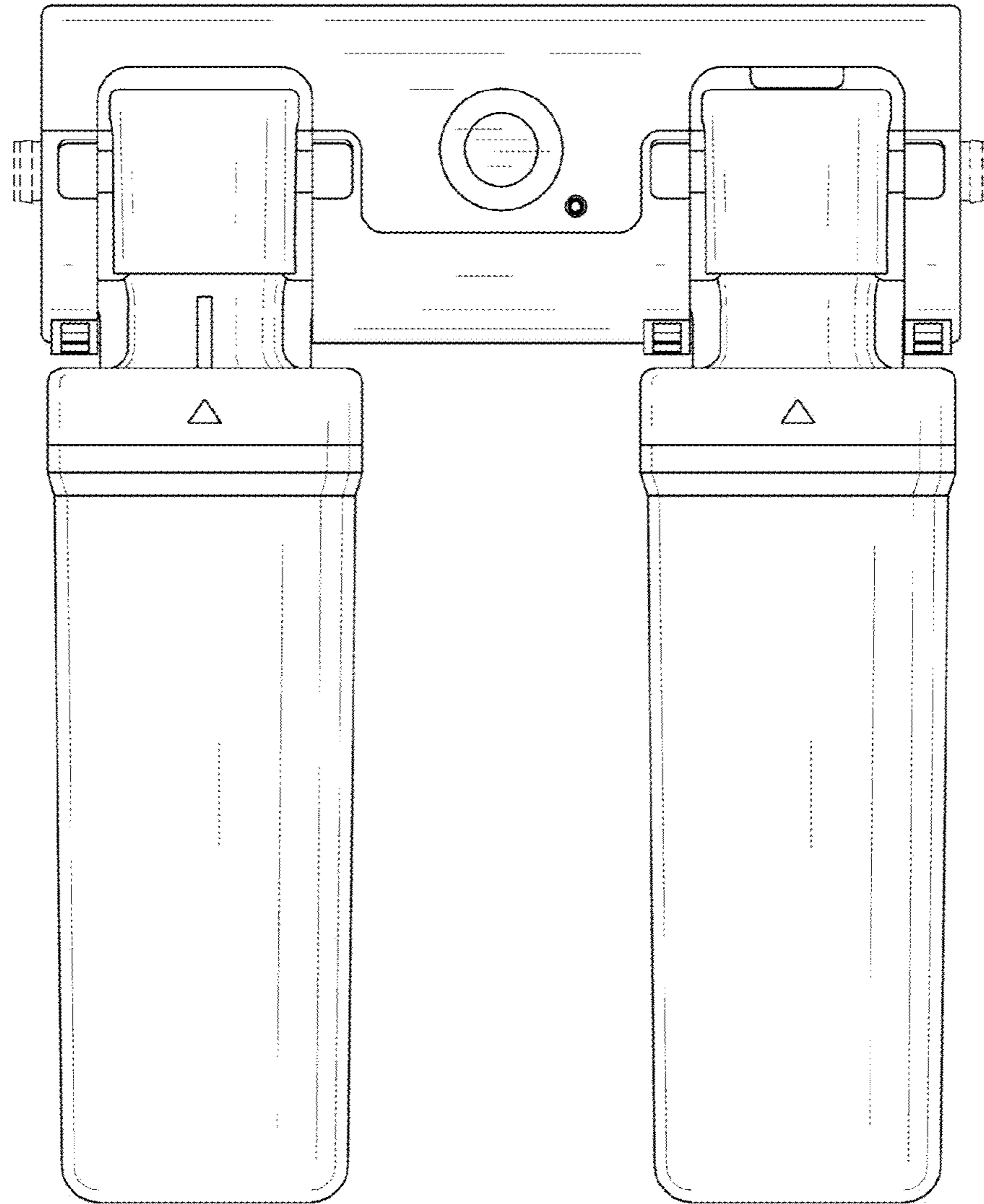


FIG. 2

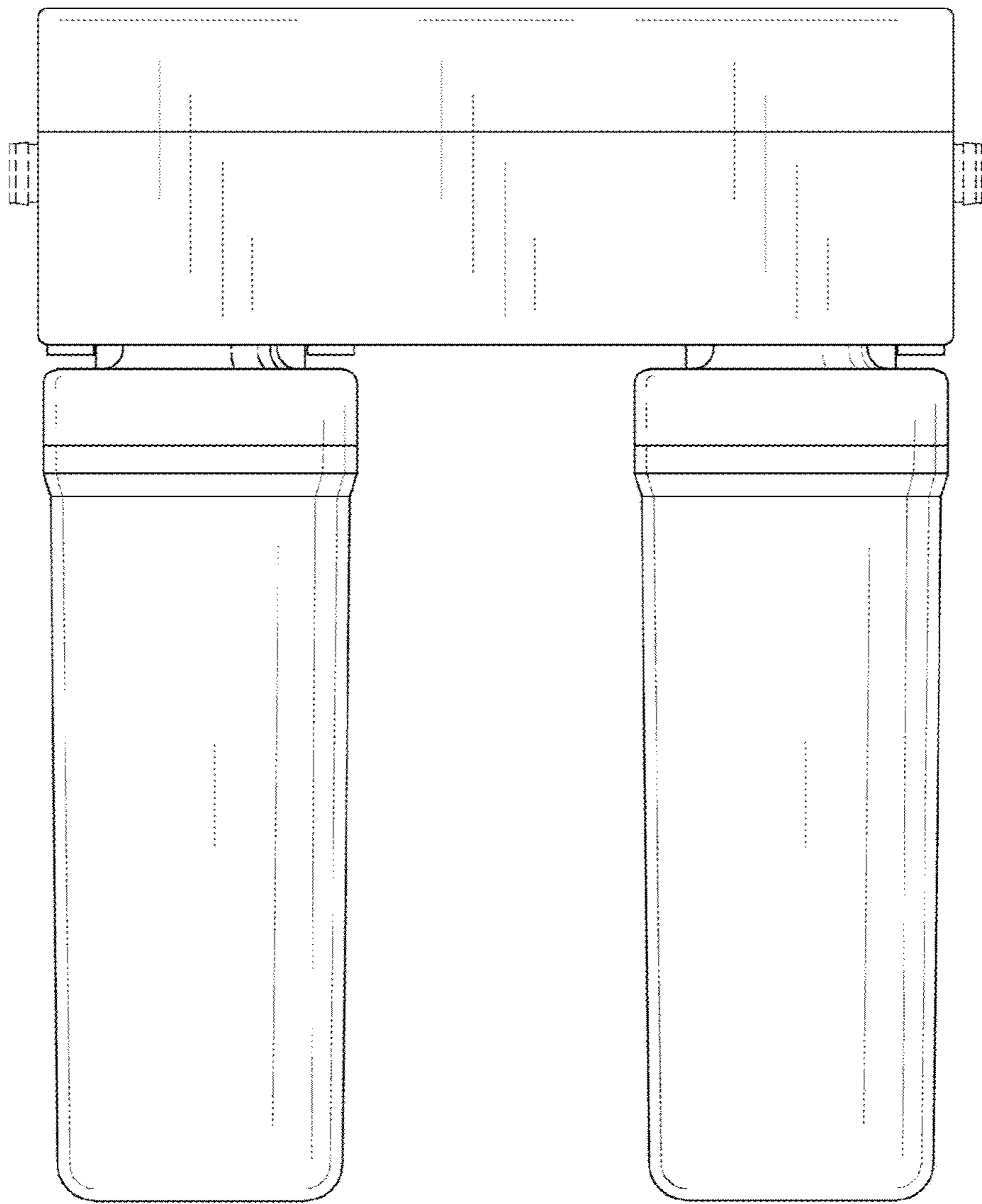


FIG. 3

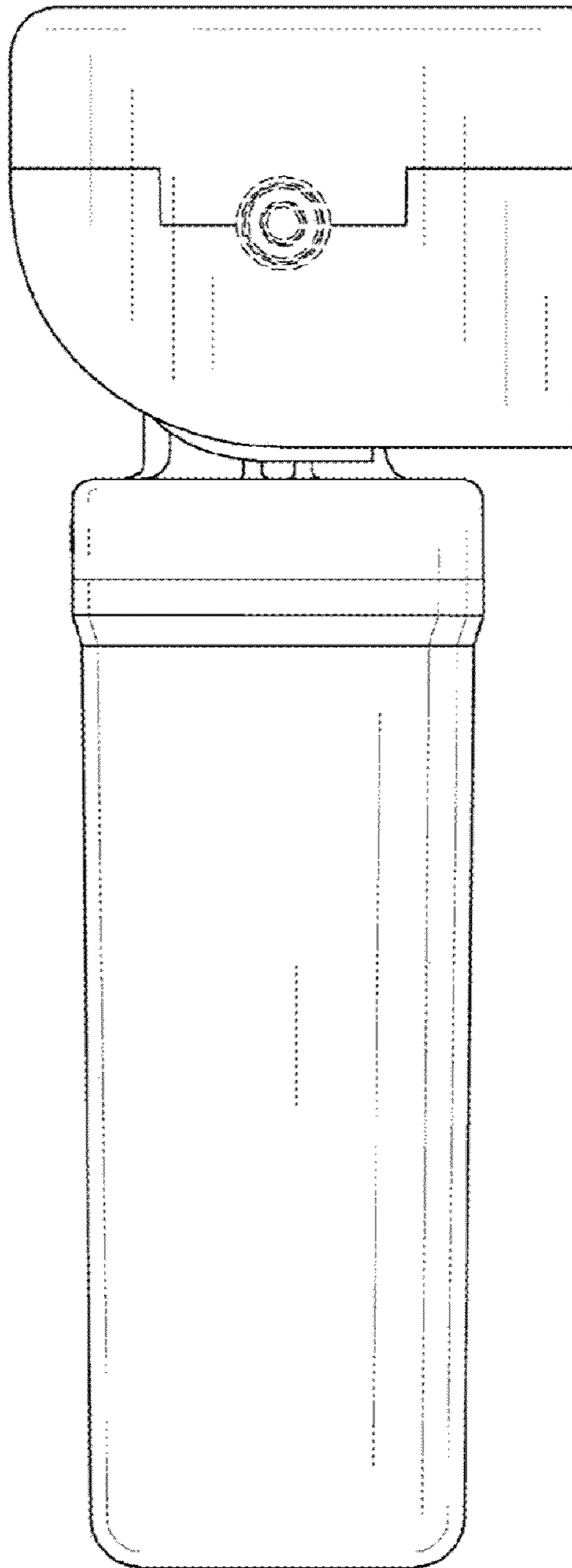


FIG. 4

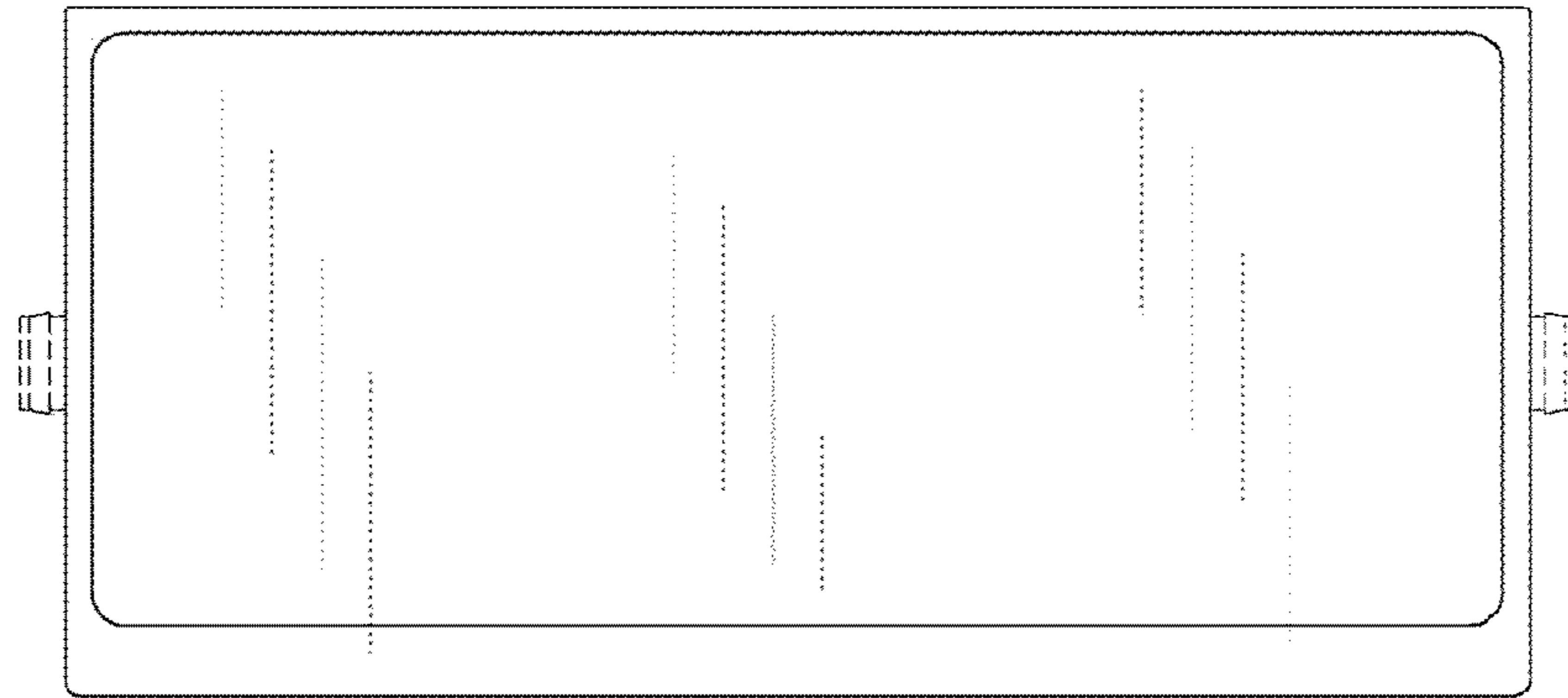


FIG. 5

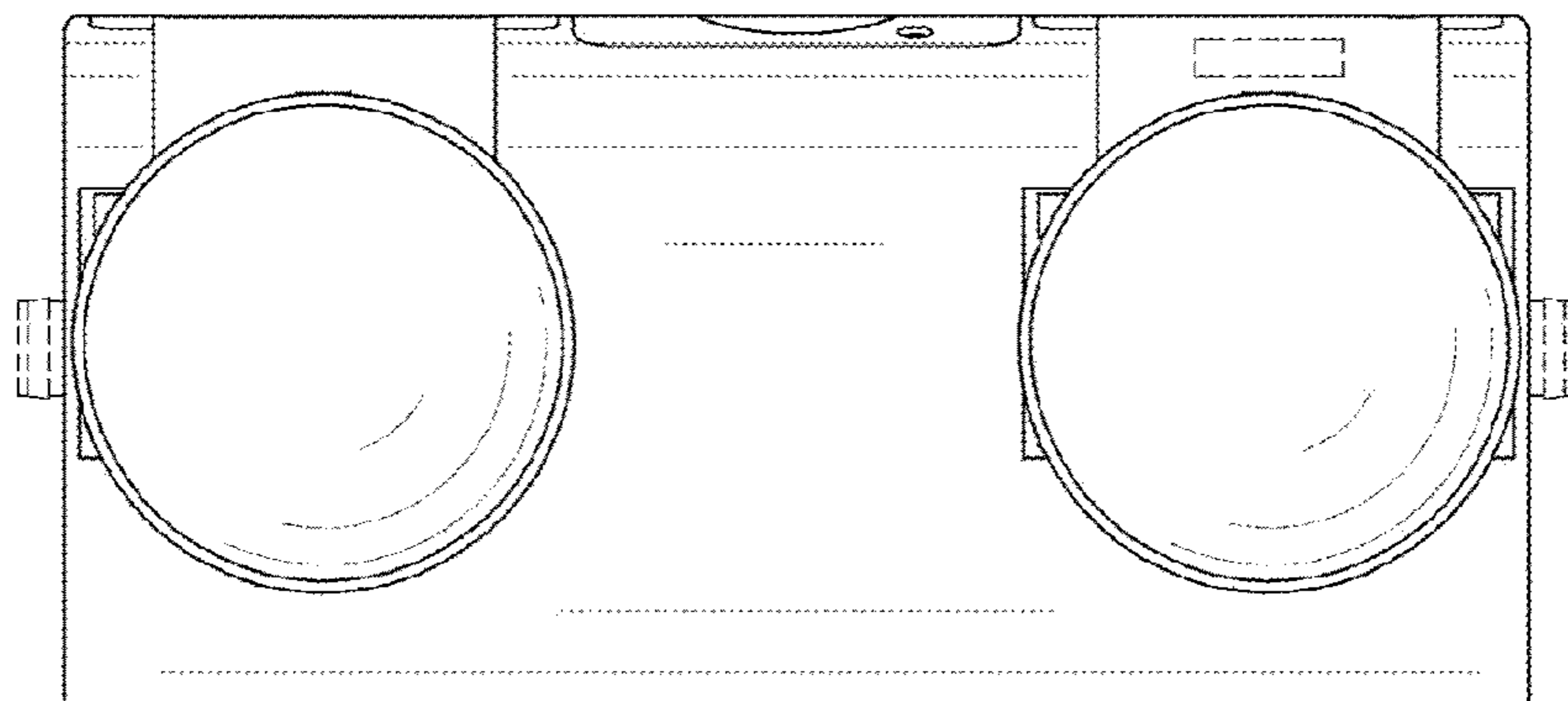


FIG. 6