

US00D668739S

(12) **United States Design Patent**
Ellis

(10) **Patent No.:** **US D668,739 S**
(45) **Date of Patent:** **** Oct. 9, 2012**

(54) **ANODIC DEVICE**

(75) Inventor: **Walter B. Ellis**, Jupiter, FL (US)

(73) Assignee: **RGF Environmental Group, Inc.**, West Palm Beach, FL (US)

(**) Term: **14 Years**

(21) Appl. No.: **29/407,257**

(22) Filed: **Nov. 25, 2011**

(51) **LOC (9) Cl.** **23-01**

(52) **U.S. Cl.** **D23/207**

(58) **Field of Classification Search** D23/207,
D23/209; 210/222, 223, 695

See application file for complete search history.

(56) **References Cited**

U.S. PATENT DOCUMENTS

4,367,143	A *	1/1983	Carpenter	210/222
D289,674	S *	5/1987	Kulish	D23/207
D299,266	S *	1/1989	Kulish	D23/207
D323,699	S *	2/1992	Ambrose	D23/207
D342,304	S *	12/1993	Kashani	D23/207
6,758,968	B2 *	7/2004	Ashton	210/222
6,831,540	B1 *	12/2004	Lin	335/284
6,849,188	B2 *	2/2005	Sacs	210/695
7,090,776	B2 *	8/2006	Mochizai	210/695

D599,878	S *	9/2009	Costanzo	D23/207
D601,657	S *	10/2009	Costanzo	D23/207
D603,933	S *	11/2009	Costanzo	D23/207

* cited by examiner

Primary Examiner — Robin V Webster

(74) *Attorney, Agent, or Firm* — Rothwell, Figg, Ernst & Manbeck, P.C.

(57) **CLAIM**

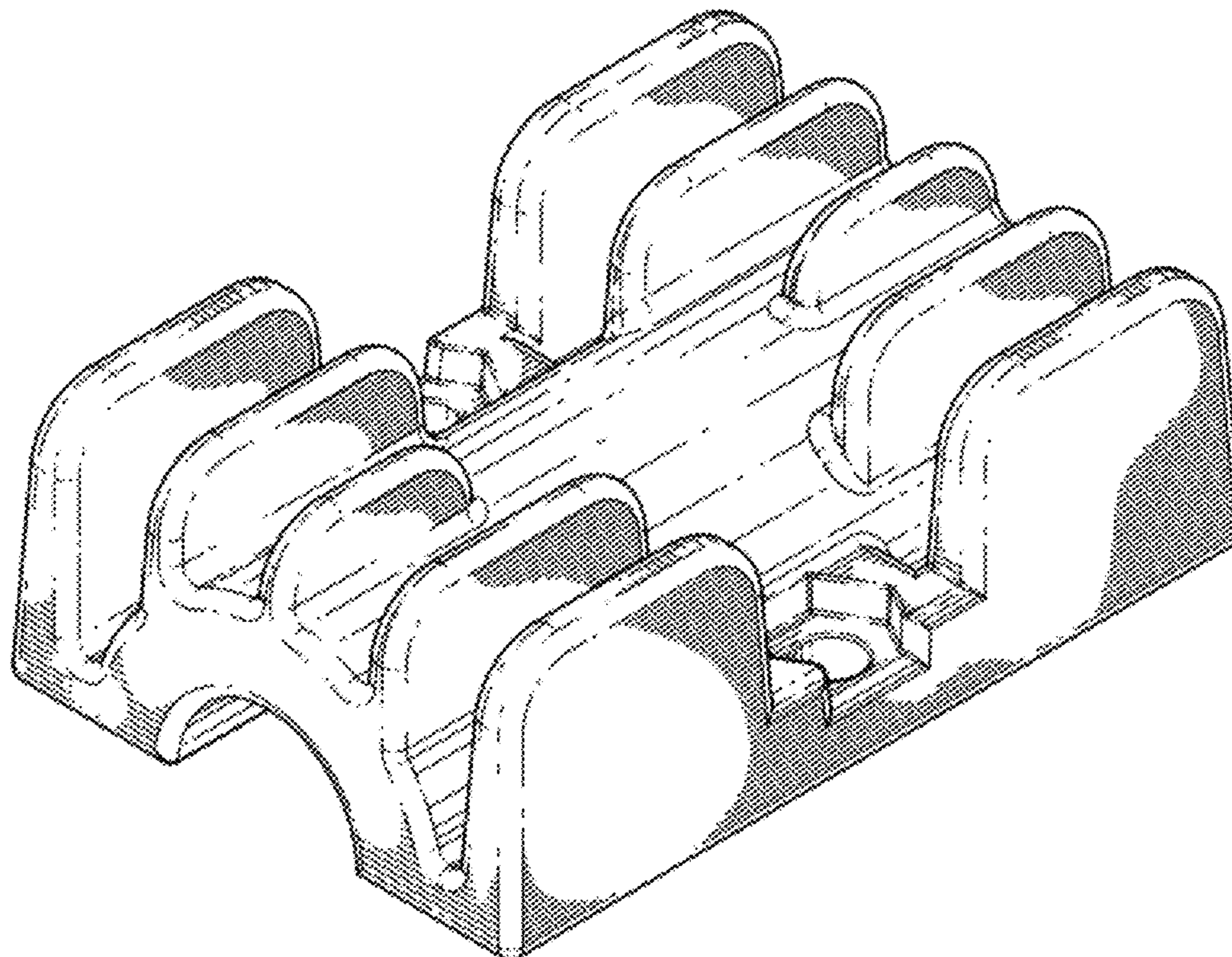
The ornamental design for a anodic device, as shown and described.

DESCRIPTION

FIG. 1 shows a front elevation view of the anodic device. FIG. 2 shows a rear elevation view of the anodic device. FIG. 3 shows a right side elevation of the anodic device. FIG. 4 shows a left side elevation view of the anodic device. FIG. 5 shows a top plan view of the anodic device. FIG. 6 shows a bottom plan view of the anodic device. FIG. 7 shows a perspective view of the anodic device; and, FIG. 8 shows a perspective view of two anodic devices coupled together.

The broken lines shown in the drawings are for illustrating the environment for the anodic device and form no part of the claimed design. The shading lines shown in the drawings represent the three dimensional contour of the design and are not intended to indicate surface decoration.

1 Claim, 6 Drawing Sheets



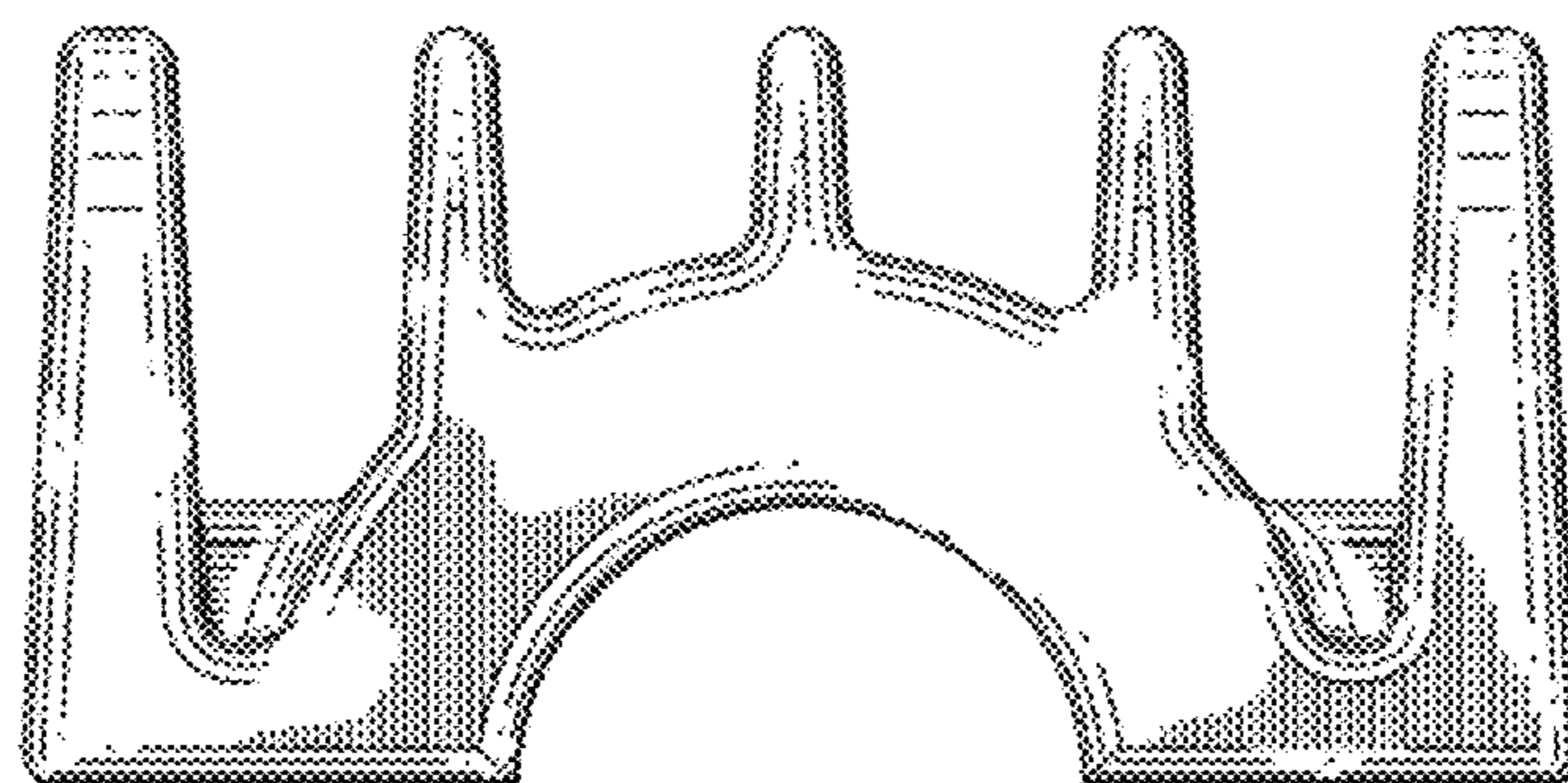


FIG. 1

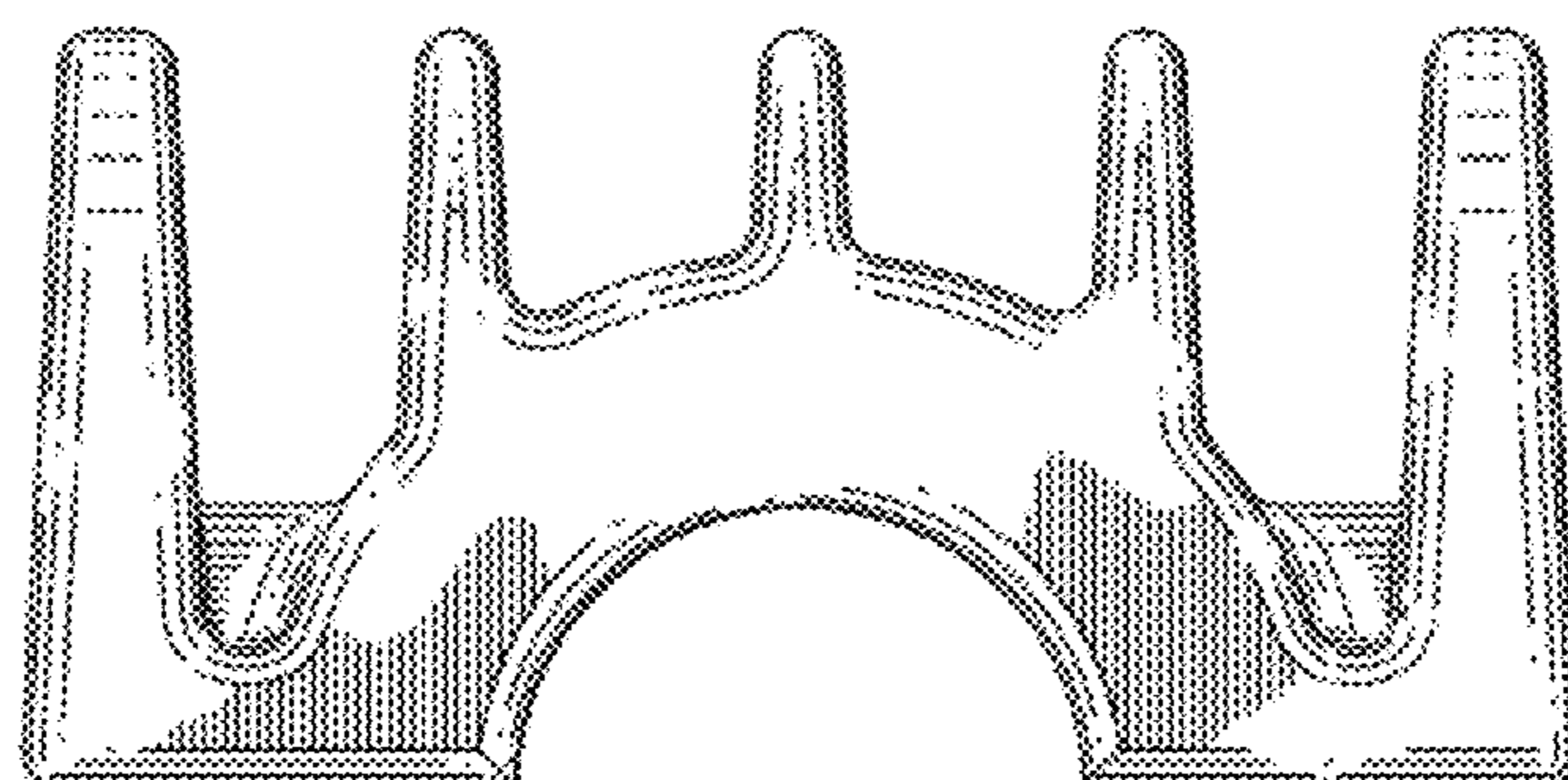


FIG. 2

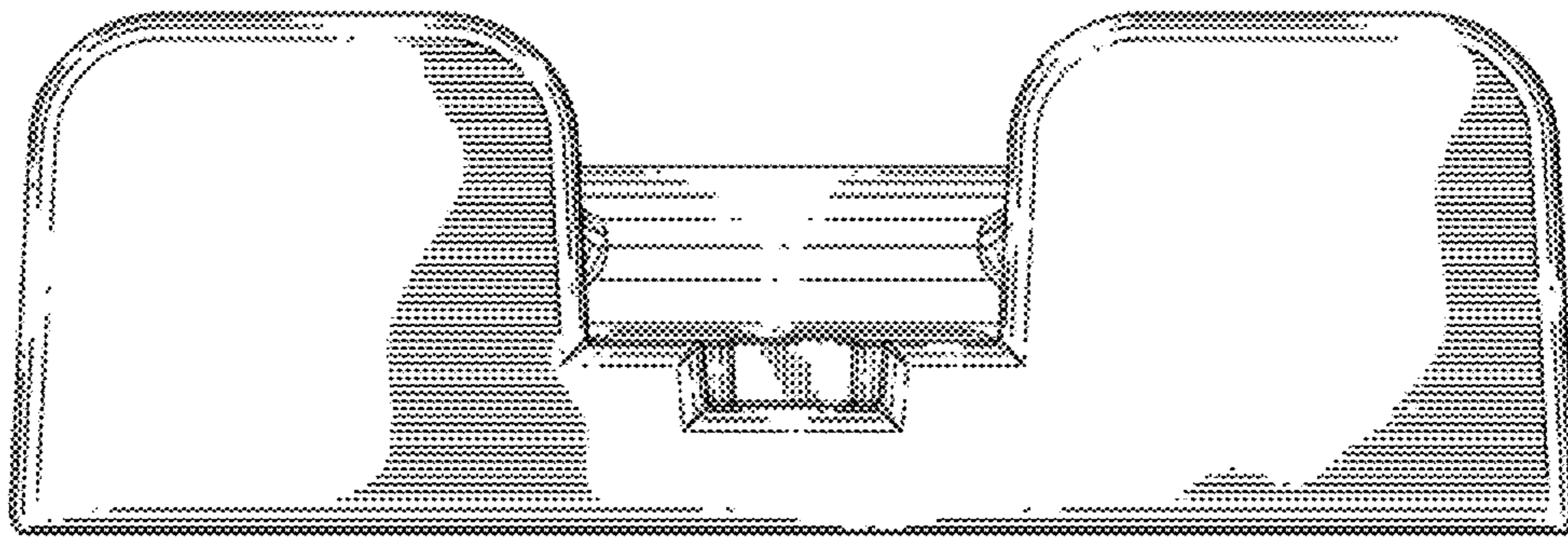


FIG. 3

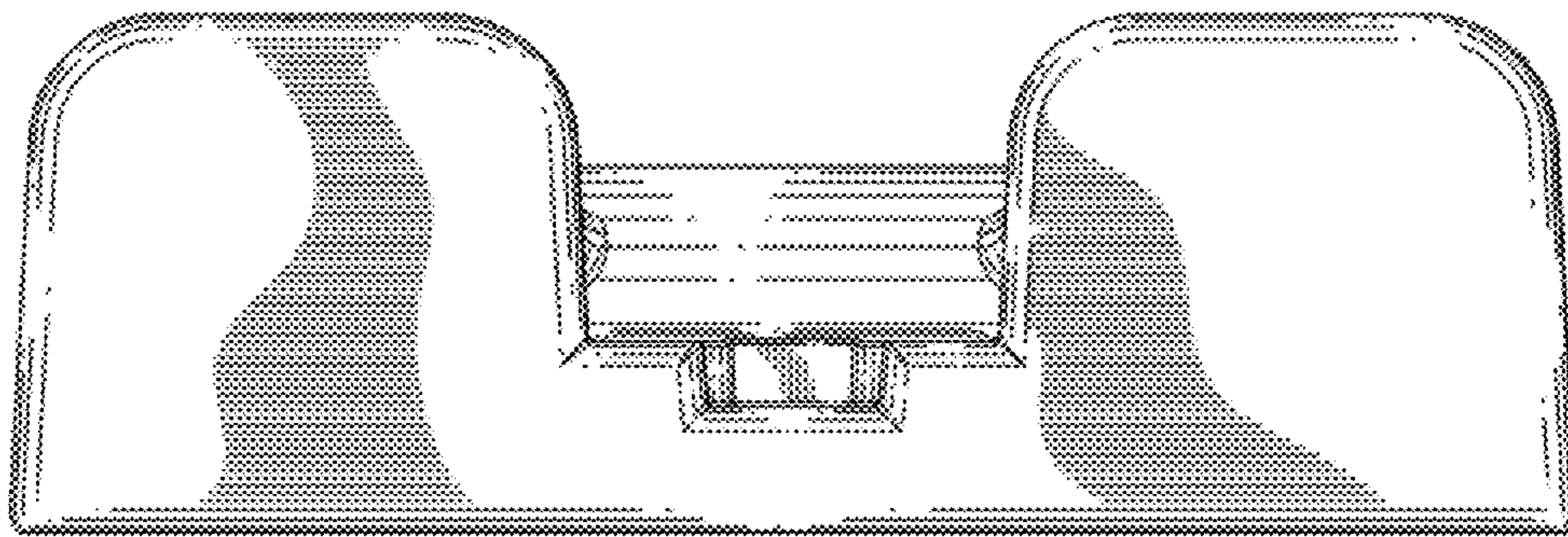


FIG. 4

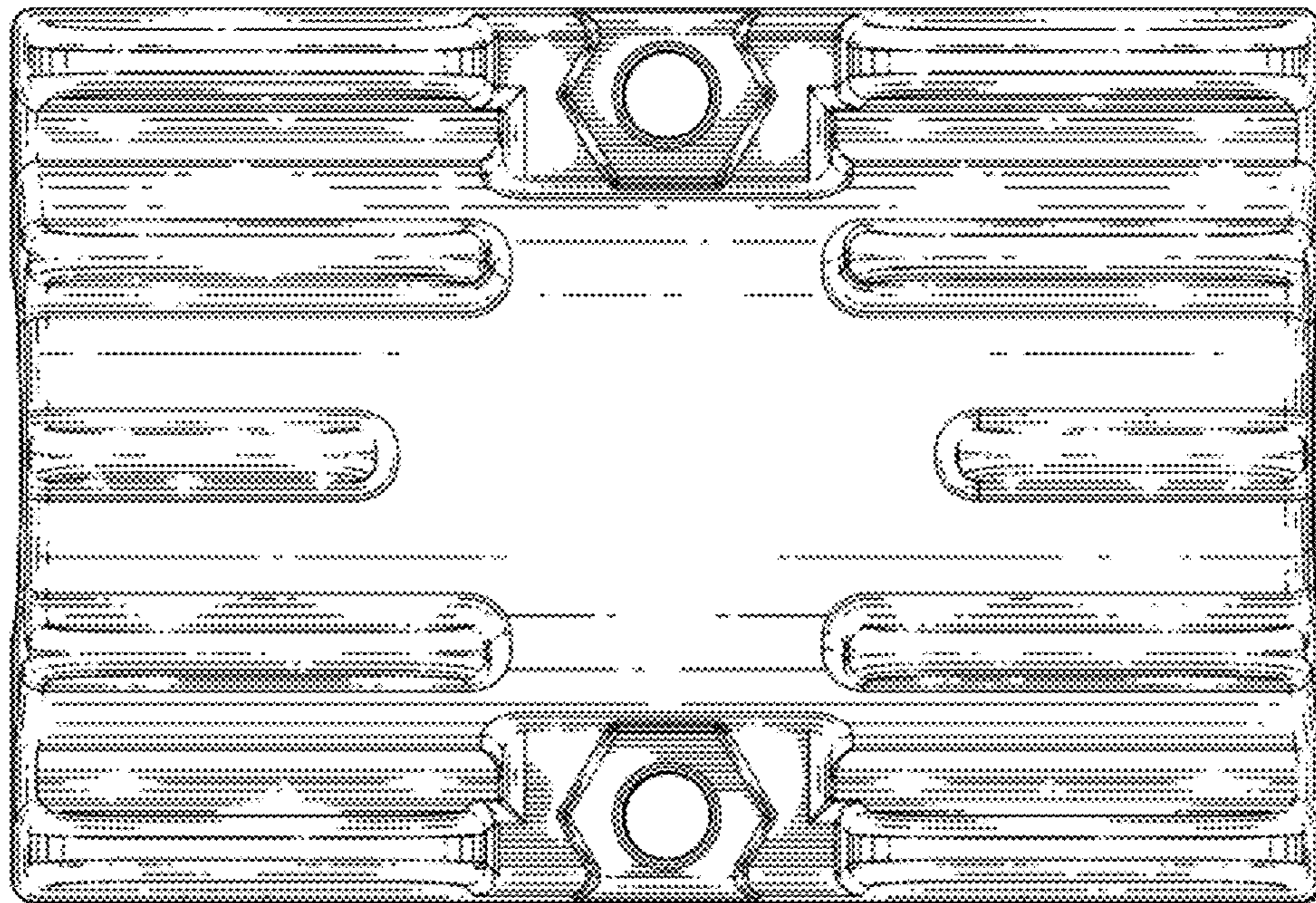


FIG. 5

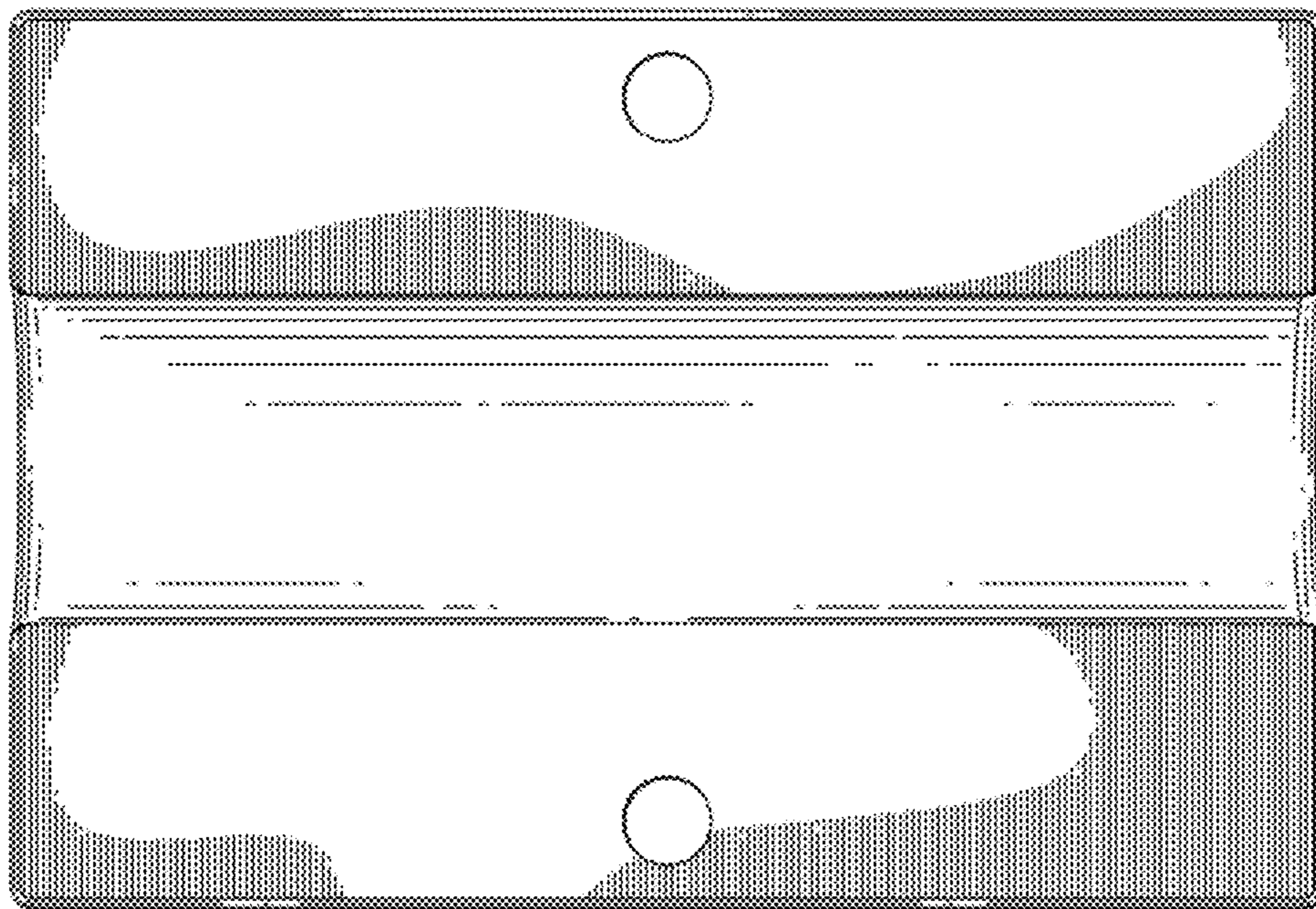


FIG. 6

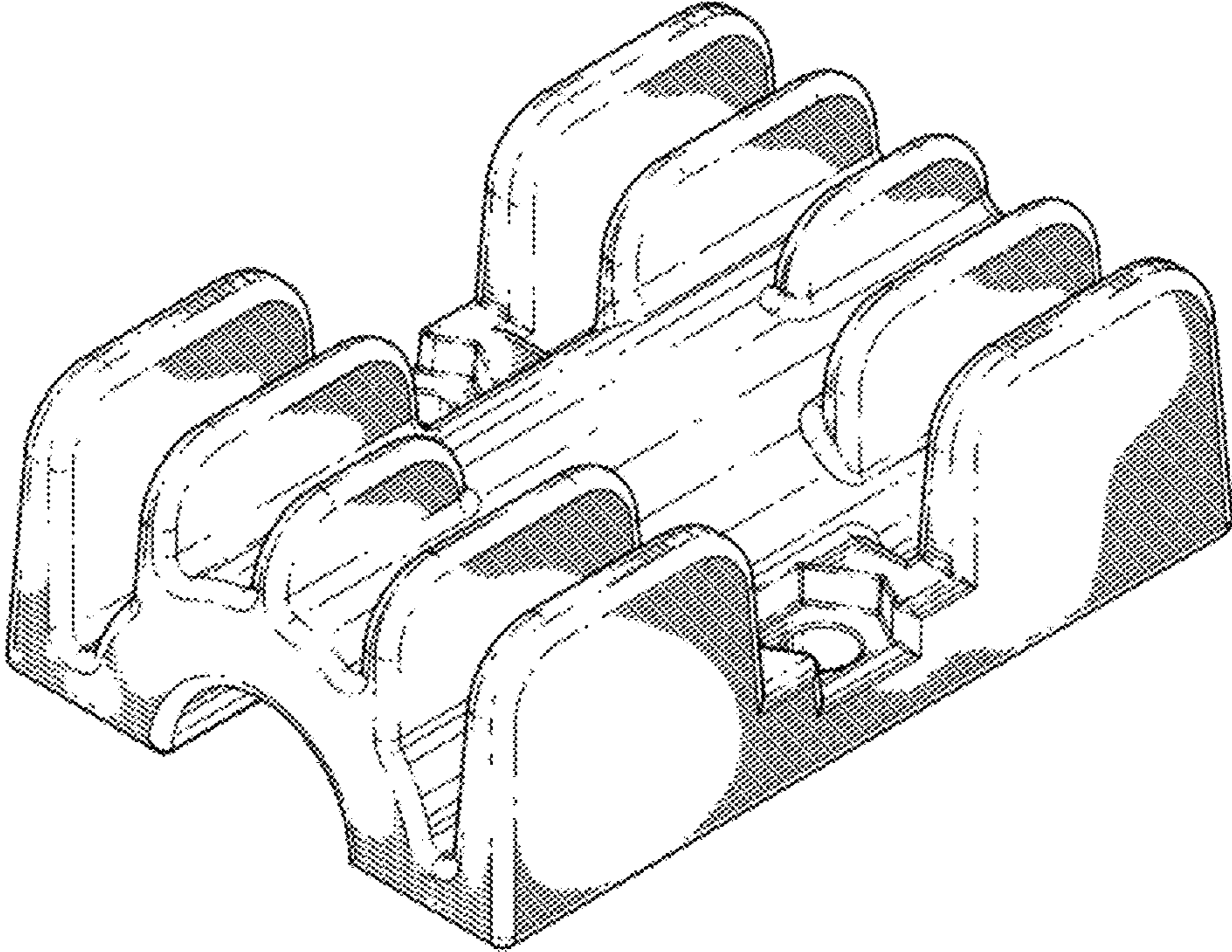


FIG. 7

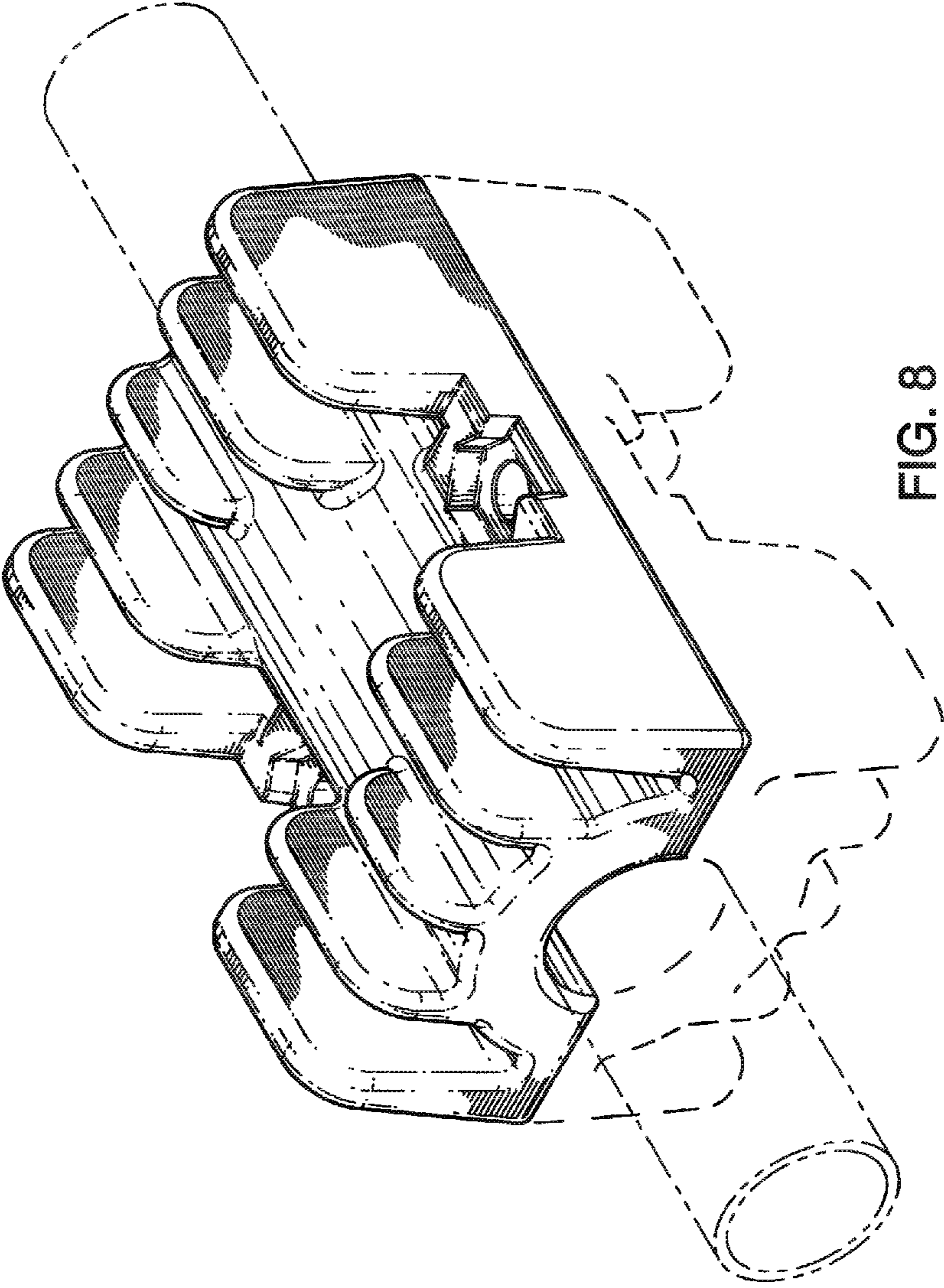


FIG. 8