

US00D668737S

(12) **United States Design Patent**
Ito

(10) **Patent No.:** **US D668,737 S**

(45) **Date of Patent:** **** Oct. 9, 2012**

(54) **REEL SEAT FOR FISHING ROD**

(75) Inventor: **Koichi Ito**, Shizuoka (JP)

(73) Assignee: **Megabass Inc.**, Hamamatsu-Shi,
Shizuoka (JP)

(**) Term: **14 Years**

(21) Appl. No.: **29/408,650**

(22) Filed: **Dec. 15, 2011**

(51) **LOC (9) Cl.** **22-05**

(52) **U.S. Cl.** **D22/142**

(58) **Field of Classification Search** D22/142,
D22/134, 137-139, 108; 43/20, 22-23
See application file for complete search history.

(56) **References Cited**

U.S. PATENT DOCUMENTS

D349,942 S *	8/1994	Oyama et al.	D22/142
D352,341 S *	11/1994	Park	D22/142
D593,634 S *	6/2009	Fitzpatrick et al.	D22/108
D607,533 S *	1/2010	Ezuka et al.	D22/142

D607,534 S * 1/2010 Akiba et al. D22/142
* cited by examiner

Primary Examiner — Catheri Oliver

(74) *Attorney, Agent, or Firm* — Birch, Stewart, Kolasch &
Birch, LLP

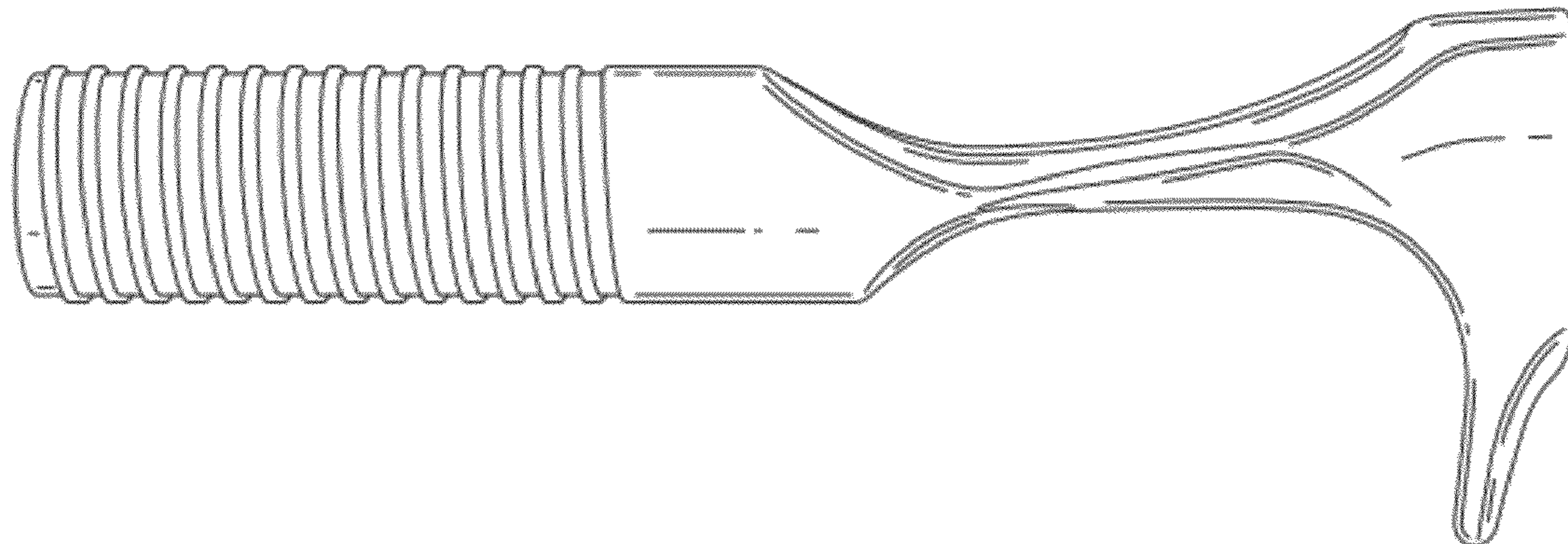
(57) **CLAIM**

The ornamental design for reel seat for fishing rod, as shown
and described.

DESCRIPTION

FIG. 1 is a top perspective view of the reel seat for fishing rod
showing my new design;
FIG. 2 is a bottom perspective view of the reel seat for fishing
rod thereof;
FIG. 3 is a front view thereof;
FIG. 4 is a rear view thereof;
FIG. 5 is a top view thereof;
FIG. 6 is a bottom view thereof;
FIG. 7 is a right side view thereof; and,
FIG. 8 is a left view thereof.

1 Claim, 5 Drawing Sheets



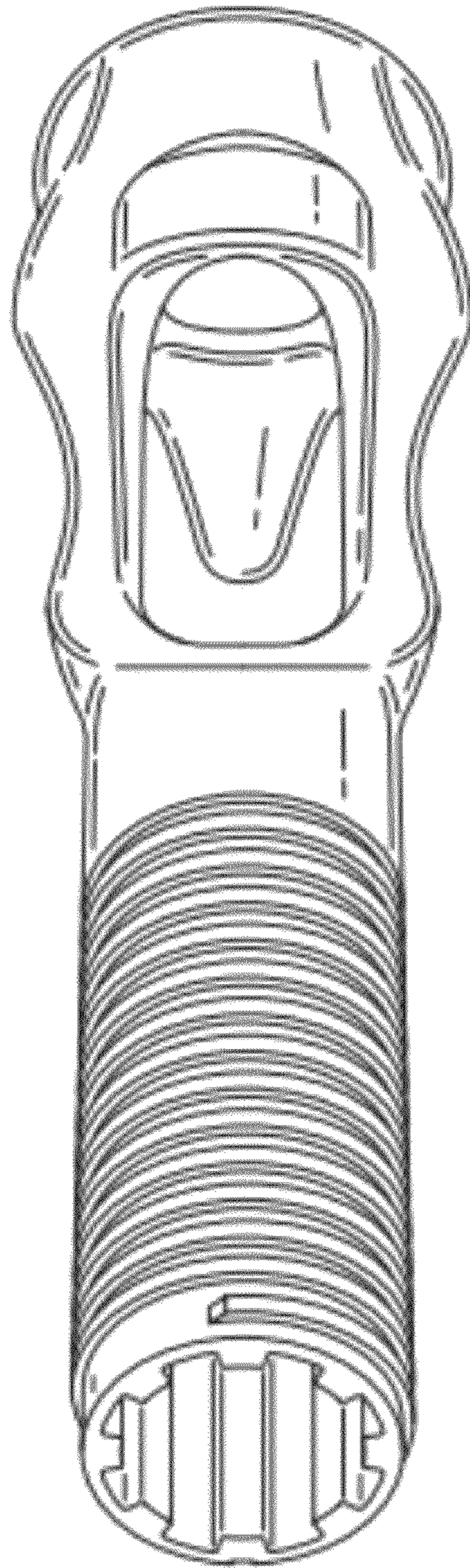


FIG. 1

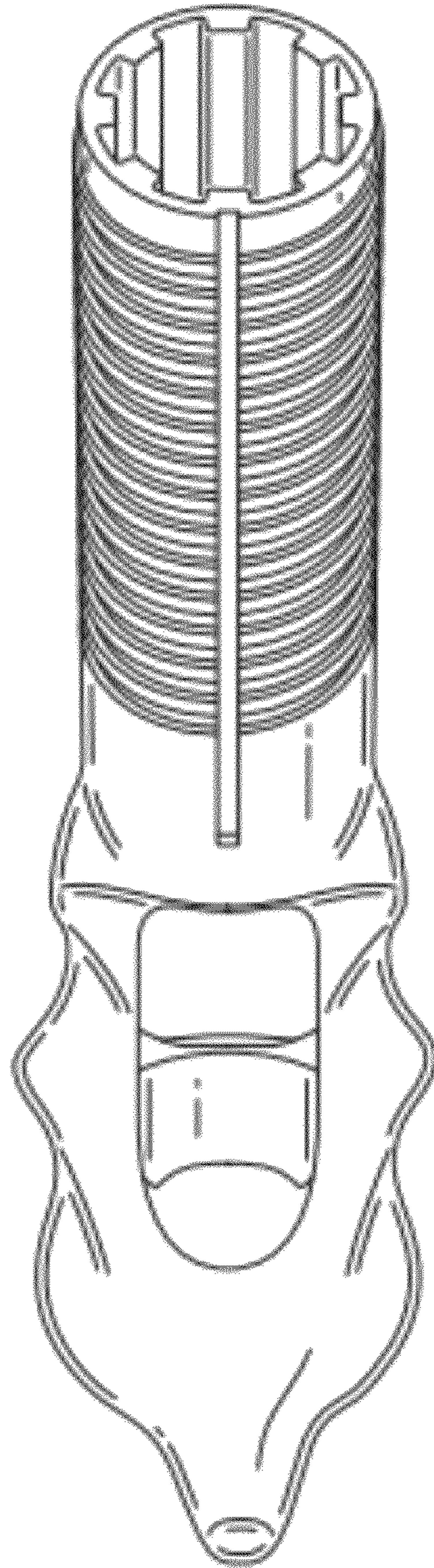


FIG. 2

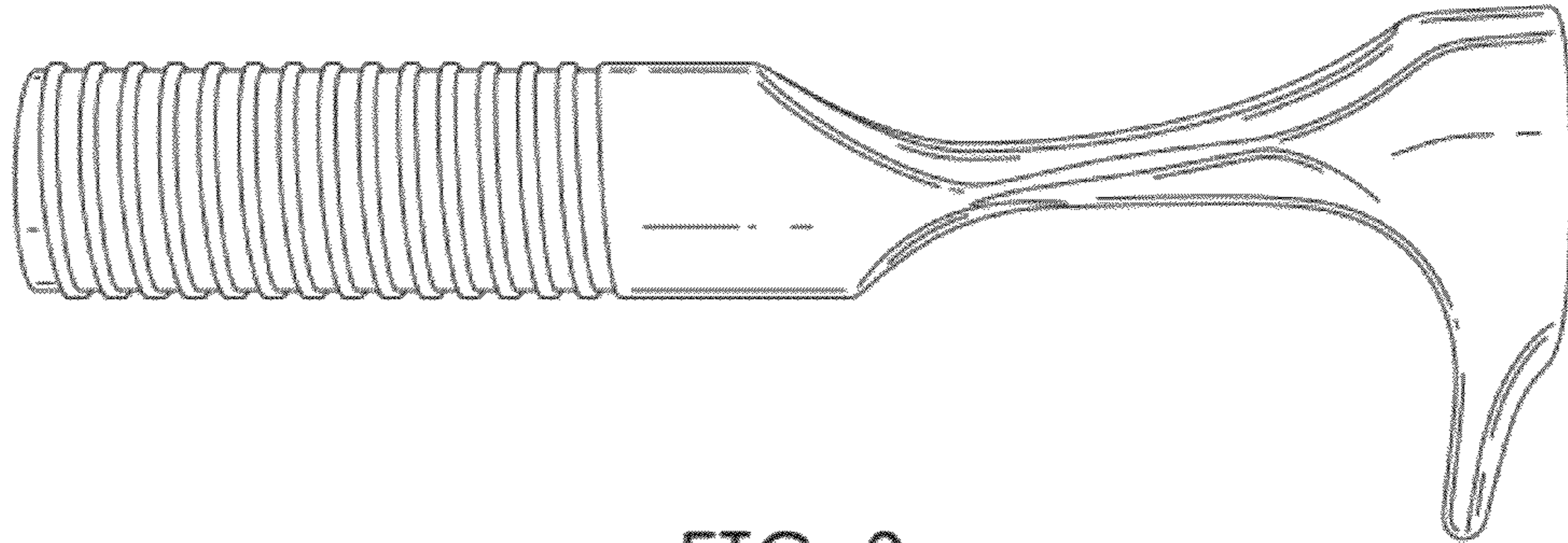


FIG. 3

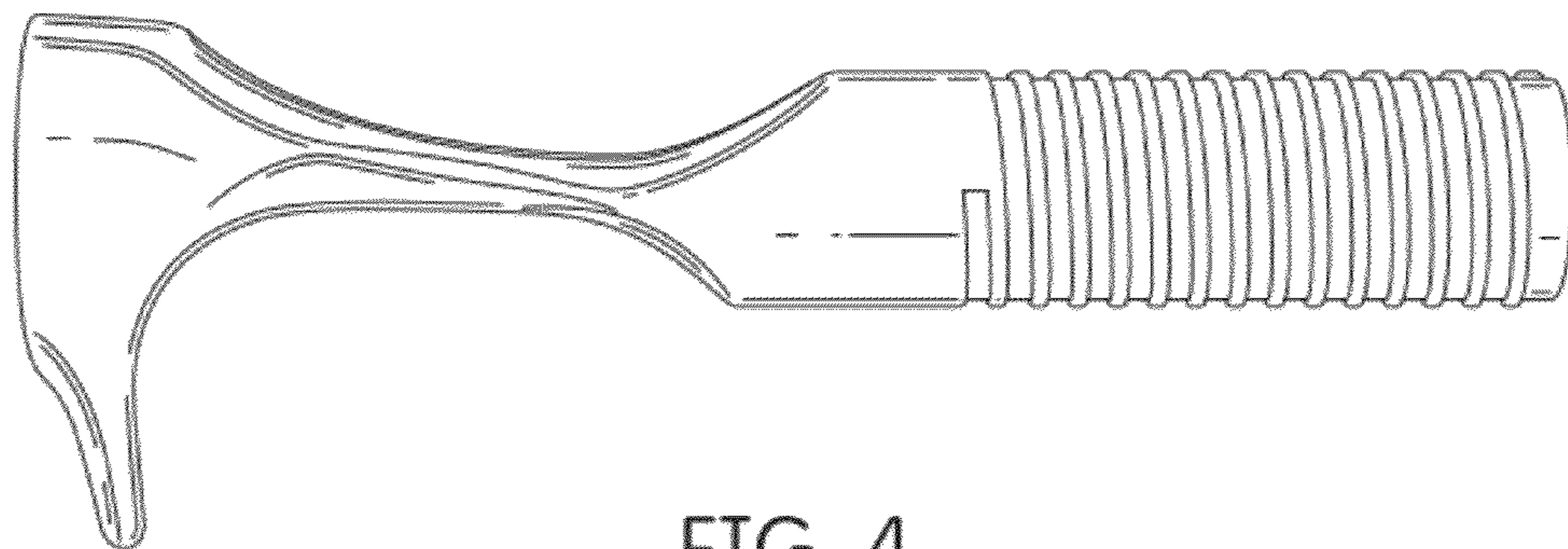


FIG. 4

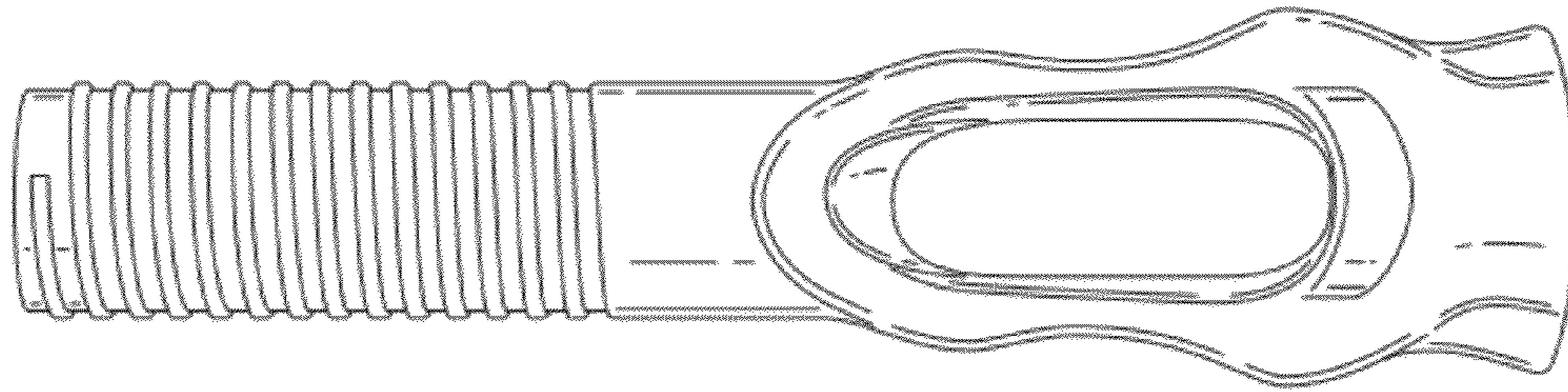


FIG. 5

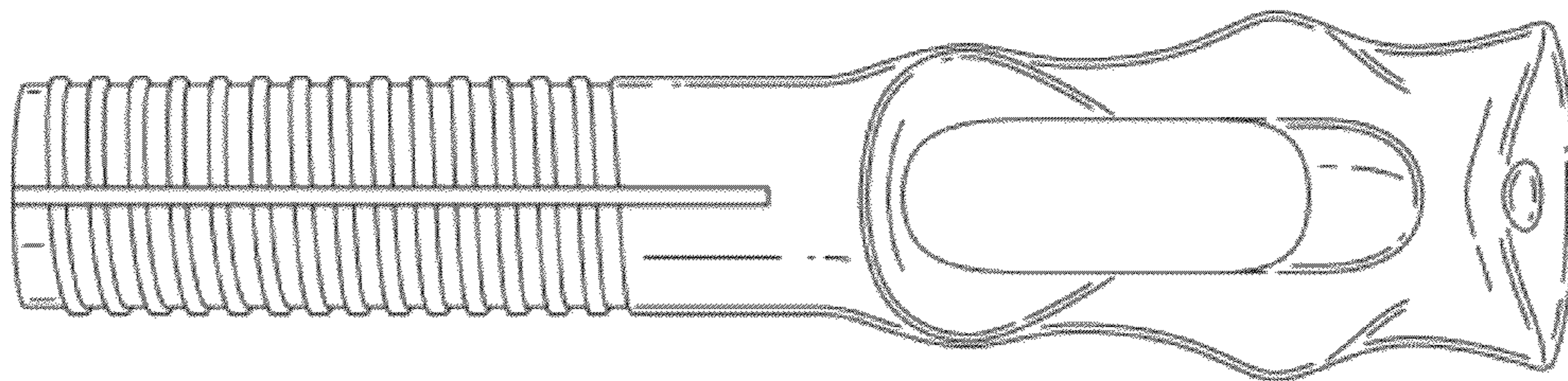


FIG. 6

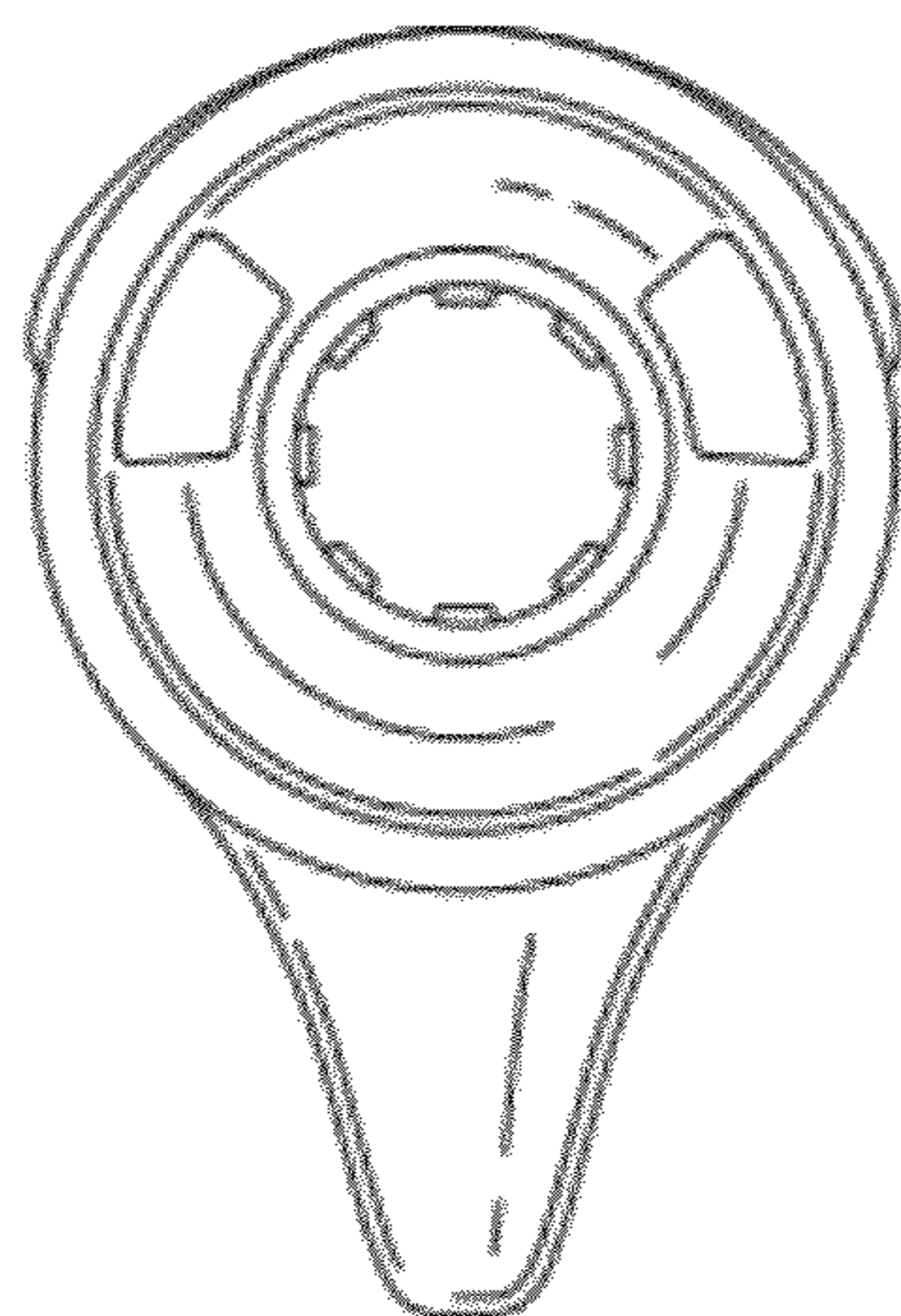


FIG. 7

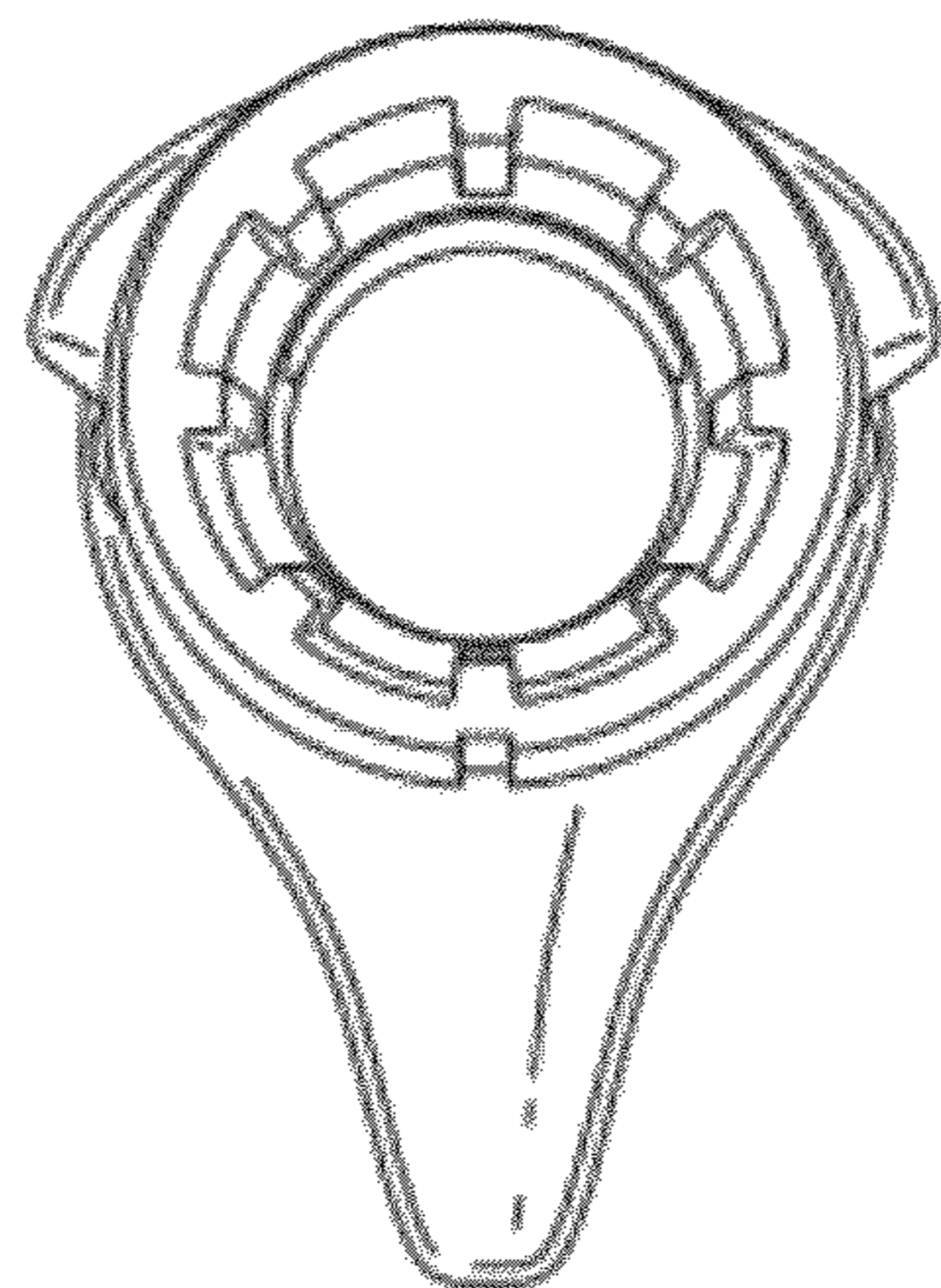


FIG. 8