



US00D668730S

(12) **United States Design Patent**  
**Casas Salva**

(10) **Patent No.:** **US D668,730 S**  
(45) **Date of Patent:** **\*\* Oct. 9, 2012**

(54) **ACCESSORY FOR THE INSTALLATION,  
POSITIONING AND CLAMPING OF SCOPE  
IN AN AIR RIFLE**

4,328,624 A 5/1982 Ross  
D318,313 S \* 7/1991 Bechtel ..... D22/110  
D322,834 S \* 12/1991 Lawlor ..... D22/110  
5,531,039 A 7/1996 Gore et al.

(76) Inventor: **Francisco Casas Salva**, Sant Bio de  
Llobregat (ES)

**FOREIGN PATENT DOCUMENTS**

GB 2284466 A 6/1995

(\*\*) Term: **14 Years**

**OTHER PUBLICATIONS**

(21) Appl. No.: **29/399,525**

Office Action of Aug. 5, 2010 in related U.S. Appl. No. 12/278,068.  
Office Action of May 29, 2009 in related U.S. Appl. No. 12/278,068.

(22) Filed: **Aug. 15, 2011**

\* cited by examiner

**Related U.S. Application Data**

*Primary Examiner* — Michael Pratt

(63) Continuation of application No. 12/278,068, filed on  
Aug. 1, 2008, now abandoned.

(74) *Attorney, Agent, or Firm* — Kilpatrick Townsend &  
Stockton LLP

(51) **LOC (9) Cl.** ..... **22-01**

(57) **CLAIM**

(52) **U.S. Cl.** ..... **D22/108**

The ornamental design for accessory for the installation, posi-  
tioning and clamping of scope in an air rifle, as shown and  
described.

(58) **Field of Classification Search** ..... D22/108–110,  
D22/199; 89/111–133; 359/399, 823, 744;  
42/104, 105, 111–113, 116, 120, 124–126,  
42/127–129, 141–148, 133–140; 33/227,  
33/229

**DESCRIPTION**

See application file for complete search history.

FIG. 1 is a perspective view of an accessory for the installa-  
tion, positioning and clamping of scope in an air rifle showing  
my new design;

(56) **References Cited**

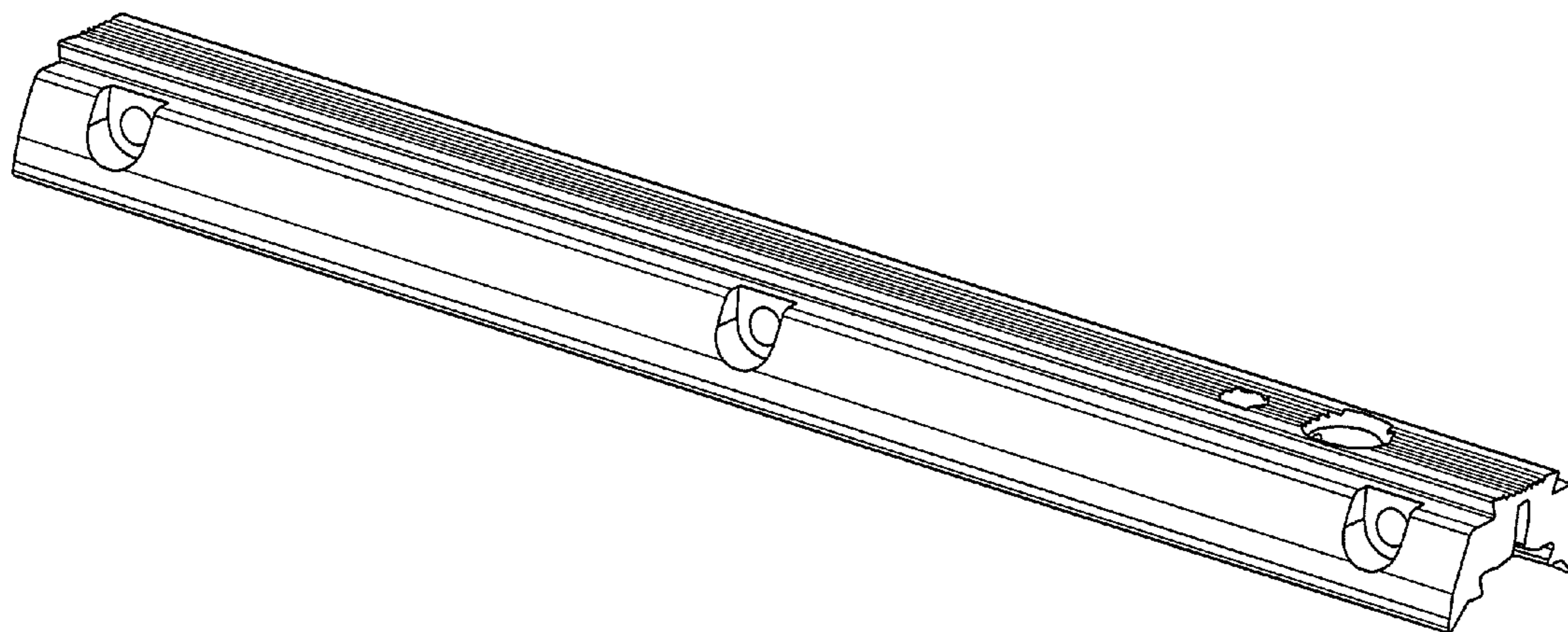
**U.S. PATENT DOCUMENTS**

D216,014 S \* 11/1969 Dupont ..... D22/110  
3,835,565 A 9/1974 Weast  
3,875,675 A 4/1975 Krisay et al.  
4,026,055 A 5/1977 Weast et al.  
4,299,044 A 11/1981 Johannsen et al.

FIG. 2 shows the accessory of FIG. 1 when positioned with a  
scope and a portion of a rifle shown in broken lines; and,  
FIG. 3 is an end view of the accessory of FIG. 1.

The broken line showing in FIG. 2 is for the purpose of  
illustrating the environment of the article only and forms no  
part of the claimed design.

**1 Claim, 3 Drawing Sheets**



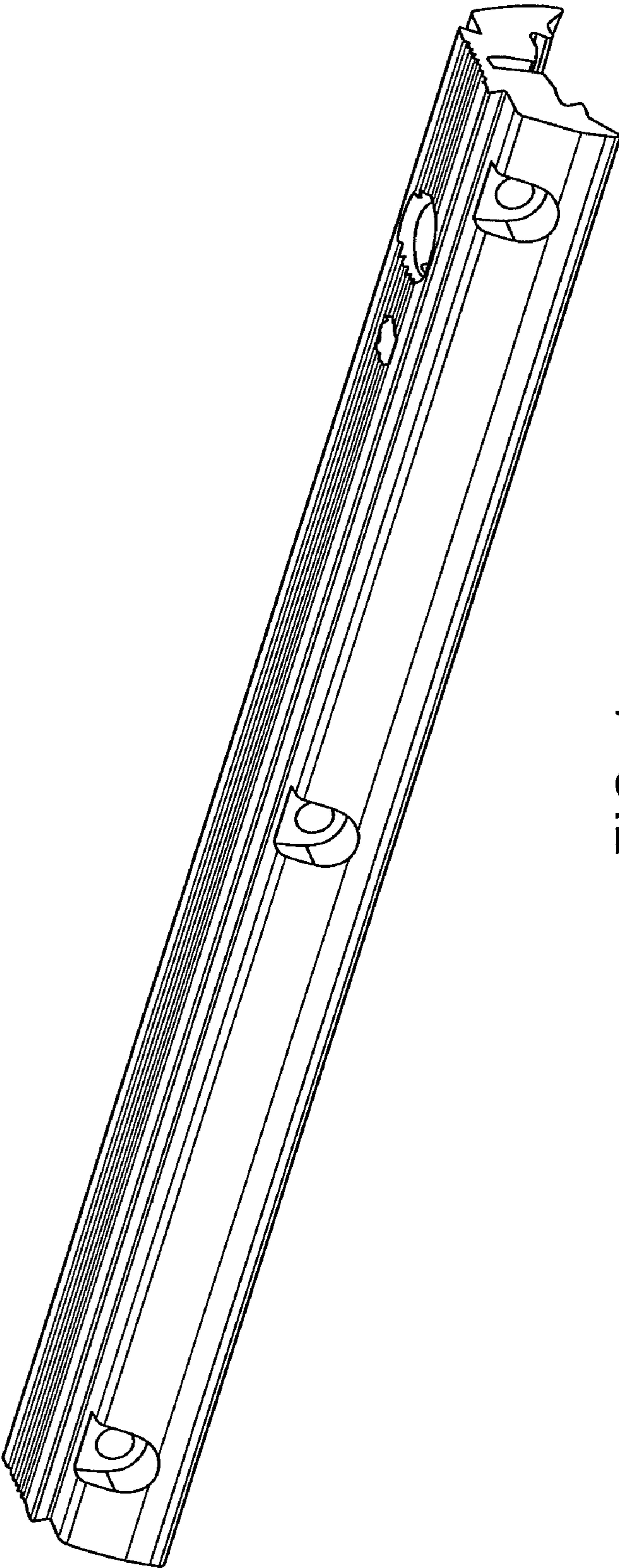


FIG. 1

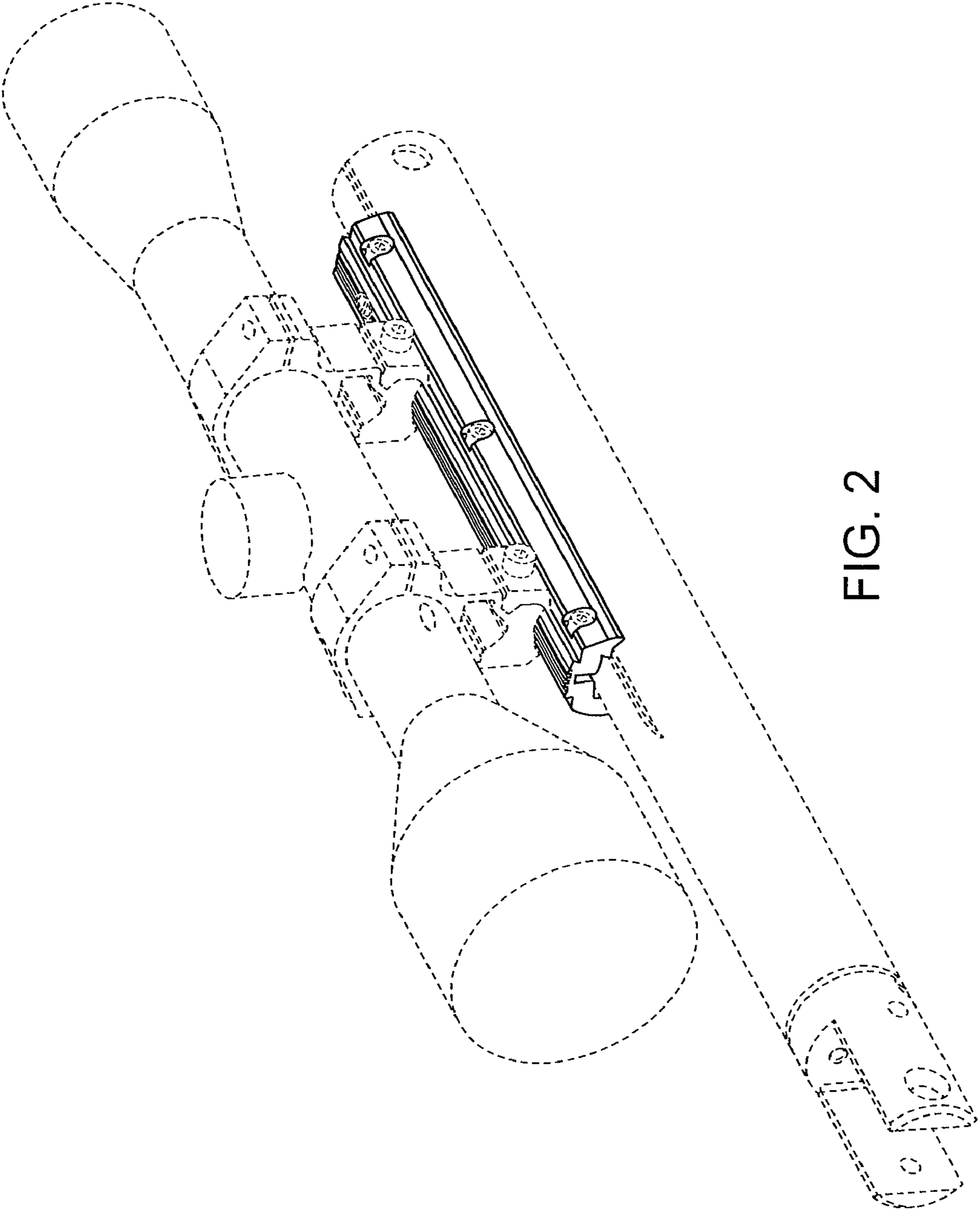


FIG. 2

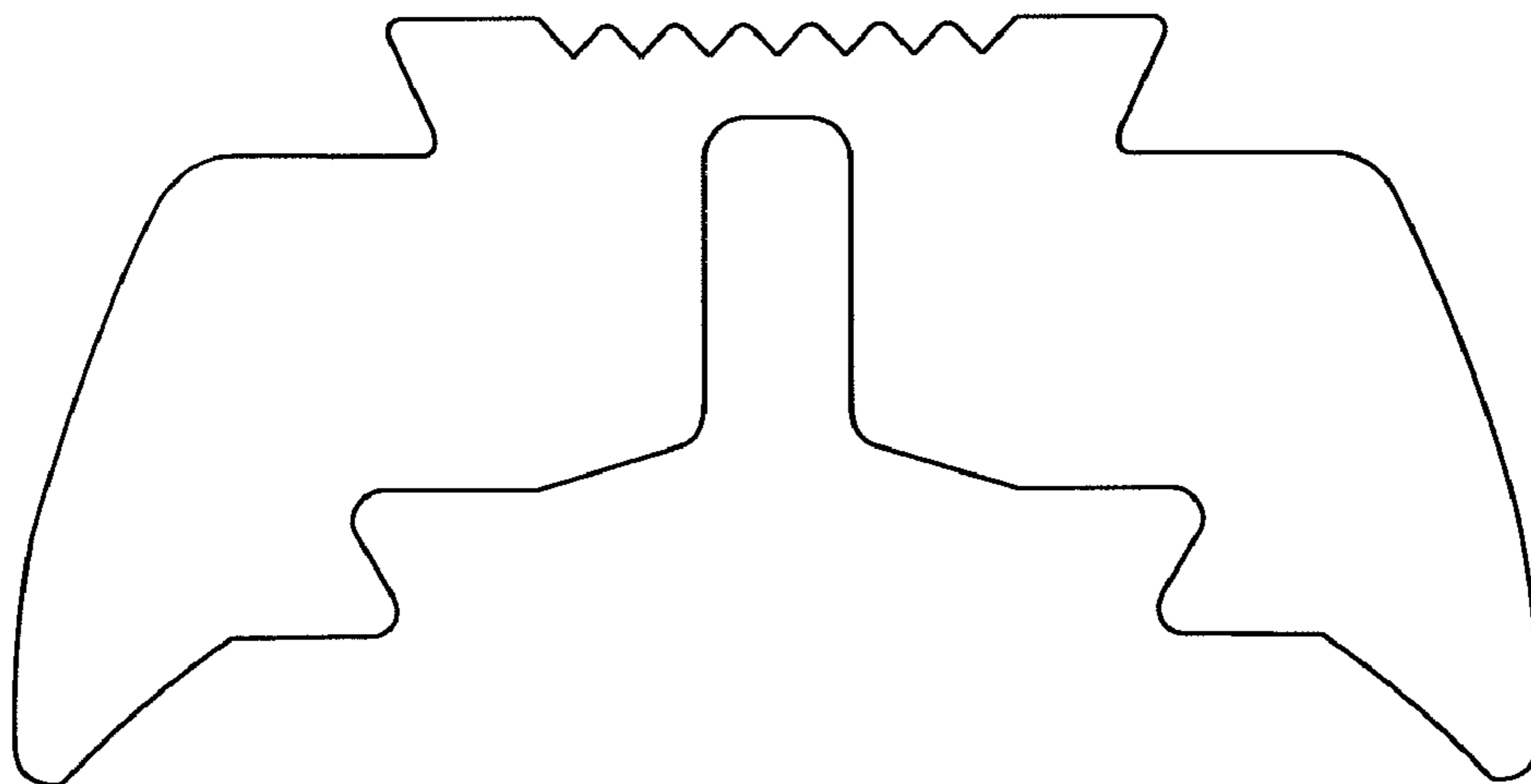


FIG. 3