



US00D668728S

(12) **United States Design Patent**  
**Savarese et al.**

(10) **Patent No.:** **US D668,728 S**  
(45) **Date of Patent:** **\*\* Oct. 9, 2012**

- (54) **GOLF CLUB END CAP**
- (75) Inventors: **Chris Savarese**, Danville, CA (US);  
**Noel H. C. Marshall**, Gerringong (AU);  
**Susan McGill**, Redwood City, CA (US);  
**Kenneth P. Gilliland**, Petaluma, CA (US)
- (73) Assignee: **Radar Corporation**, San Ramon, CA (US)
- (\*\*) Term: **14 Years**
- (21) Appl. No.: **29/380,001**
- (22) Filed: **Nov. 29, 2010**

**Related U.S. Application Data**

- (63) Continuation-in-part of application No. 29/375,140, filed on Sep. 17, 2010, now Pat. No. Des. 649,610, which is a continuation-in-part of application No. 29/358,183, filed on Mar. 23, 2010, now Pat. No. Des. 627,021.
- (51) **LOC (9) Cl.** ..... **12-02**
- (52) **U.S. Cl.** ..... **D21/759**
- (58) **Field of Classification Search** ..... D21/789,  
D21/793, 794, 756-758, 753, 460; 473/285,  
473/406, 300-303  
See application file for complete search history.

(56) **References Cited**

**U.S. PATENT DOCUMENTS**

D32,971 S	7/1900	Smith
2,446,622 A	8/1948	Turner
D212,103 S	8/1968	Myers
D216,549 S	2/1970	Dworak
D223,459 S	4/1972	Spencer
D223,461 S	4/1972	Spencer
D223,462 S	4/1972	Spencer
D235,898 S	7/1975	Spencer
D235,899 S	7/1975	Spencer
D238,381 S	1/1976	Spencer
D243,355 S	2/1977	Spencer

D244,100 S	4/1977	Spencer
D259,802 S	7/1981	Williams
4,380,337 A	4/1983	DiMatteo
D268,944 S	5/1983	Southey
D284,298 S	6/1986	Kobayashi
D307,169 S	4/1990	Aldridge
D314,600 S	2/1991	Tosti
D319,278 S	8/1991	Tosti
D319,862 S	9/1991	Lahger
D322,637 S	12/1991	Aldridge
D360,447 S	7/1995	Howe et al.
D363,963 S	11/1995	Boone et al.
D365,131 S	12/1995	Edwards et al.

(Continued)

**FOREIGN PATENT DOCUMENTS**

GB 2440027 A 1/2008

(Continued)

*Primary Examiner* — Mitchell Siegel

(74) *Attorney, Agent, or Firm* — Blakely, Sokoloff, Taylor & Zafman LLP

(57) **CLAIM**

The ornamental design for a golf club end cap, as shown and described.

**DESCRIPTION**

This application is related to U.S. patent application Ser. No. 12/813,465 filed on Jun. 10, 2010.

FIG. 1 is a side view of the golf club end cap;

FIG. 2 is a top view thereof;

FIG. 3 is a bottom view thereof;

FIG. 4 is a bottom perspective view thereof;

FIG. 5 is a top perspective view thereof;

FIG. 6 is a side view of a second embodiment of the golf club end cap;

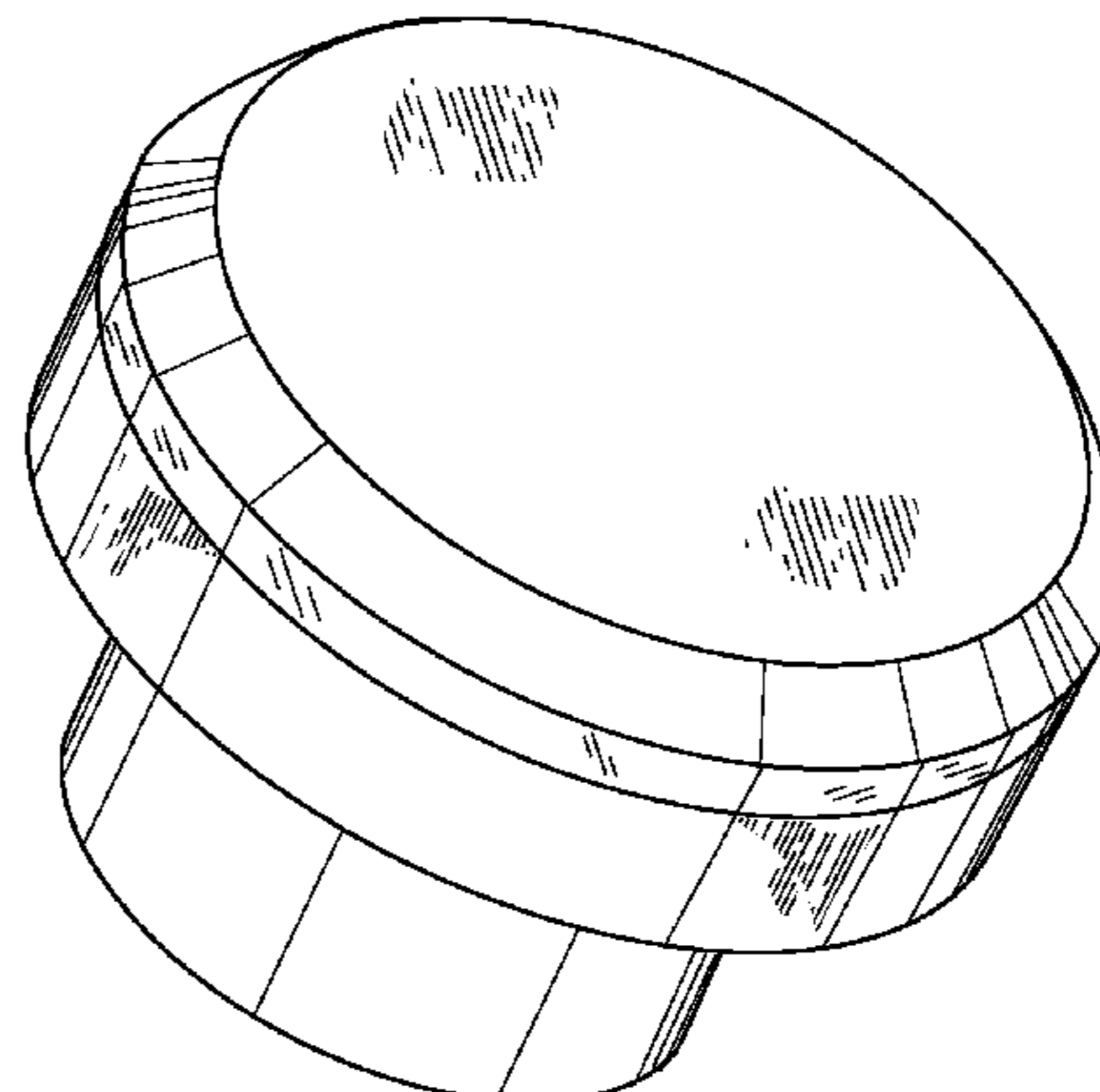
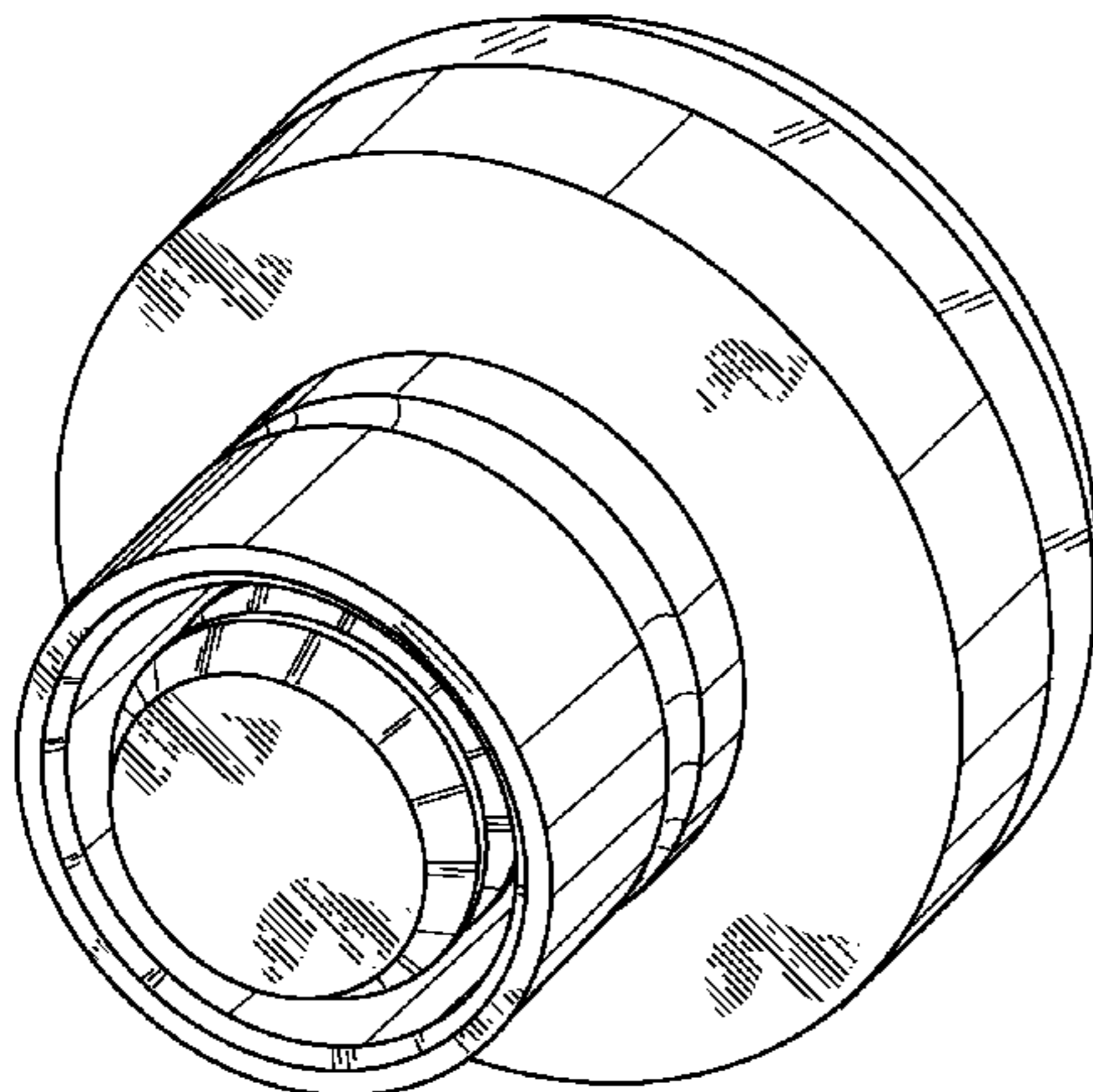
FIG. 7 is a top view of FIG. 6;

FIG. 8 is a bottom view of FIG. 6;

FIG. 9 is a bottom perspective view of FIG. 6; and,

FIG. 10 is a top perspective view of FIG. 6.

**1 Claim, 8 Drawing Sheets**



# US D668,728 S

Page 2

## U.S. PATENT DOCUMENTS

5,476,258 A 12/1995 Frisone  
D371,818 S 7/1996 Stolz  
D376,400 S 12/1996 Nakazaki  
D379,394 S 5/1997 Fortis  
D394,889 S 6/1998 Haines et al.  
D410,518 S 6/1999 Didier et al.  
6,118,376 A 9/2000 Regester  
D432,197 S 10/2000 Carr  
D445,158 S 7/2001 Stinson  
D450,364 S 11/2001 Kersten  
D462,404 S 9/2002 Huang  
D463,521 S 9/2002 Jones  
D464,694 S 10/2002 Moore  
D469,137 S 1/2003 Huang  
D469,138 S 1/2003 Huang  
D469,492 S 1/2003 Huang  
D472,703 S 4/2003 Wampler  
D478,141 S 8/2003 Huang  
D488,202 S 4/2004 Jaffe  
D489,781 S 5/2004 Lane  
D494,650 S 8/2004 Petersen et al.  
D502,750 S 3/2005 Chen  
D523,507 S 6/2006 Perry et al.

D523,512 S 6/2006 Rydzynski et al.  
D536,048 S 1/2007 Chen  
D538,869 S 3/2007 Wang et al.  
D564,610 S 3/2008 Chen  
7,399,235 B2 7/2008 Gill et al.  
D584,781 S 1/2009 Chen  
D593,172 S 5/2009 Gill et al.  
D594,523 S \* 6/2009 Uhrig et al. .... D21/794  
D595,380 S 6/2009 Koehler  
D599,871 S 9/2009 Jertson et al.  
D602,104 S 10/2009 Black et al.  
D627,023 S 11/2010 Hsu  
D629,857 S 12/2010 Gill et al.  
7,931,544 B2 4/2011 Gill  
D648,816 S 11/2011 Sun  
D649,610 S 11/2011 Savarese

## FOREIGN PATENT DOCUMENTS

JP SHO 52-041255 3/1977  
JP SHO 54-4068 1/1979  
JP SHO 59-017370 1/1984  
JP HEI 1-069563 5/1989  
JP 2000-037487 8/2000

\* cited by examiner

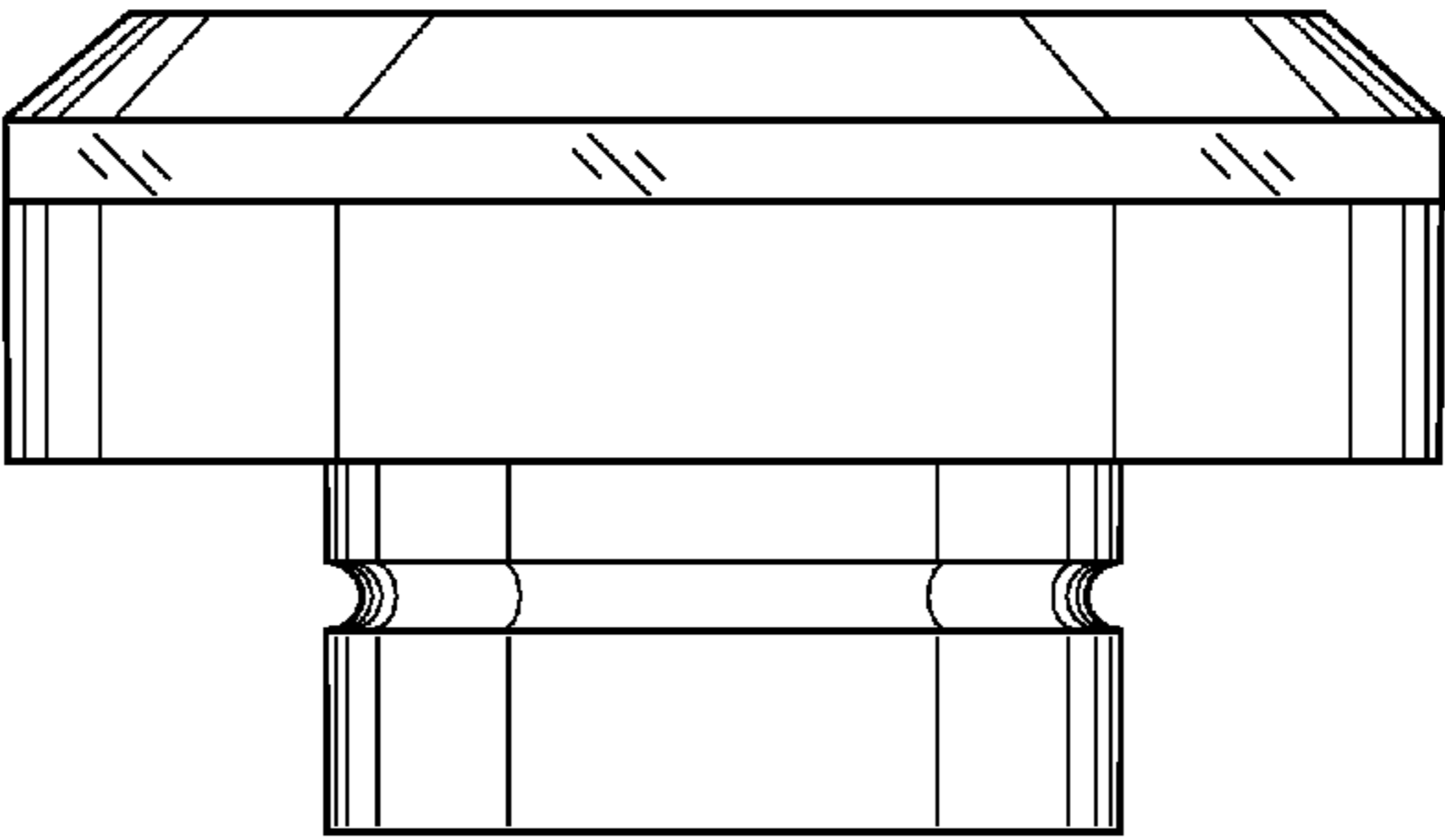


FIG. 1

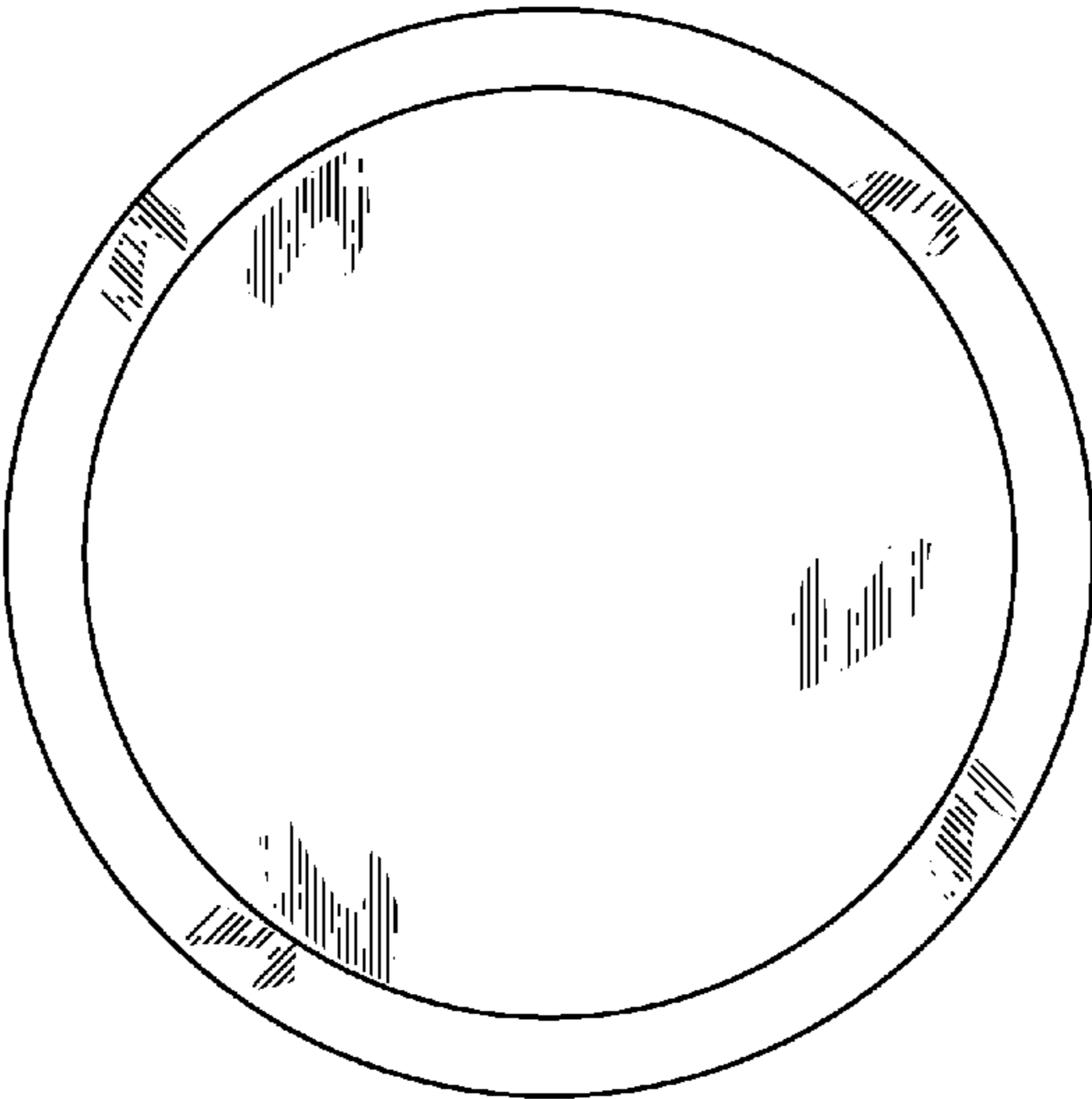


FIG. 2

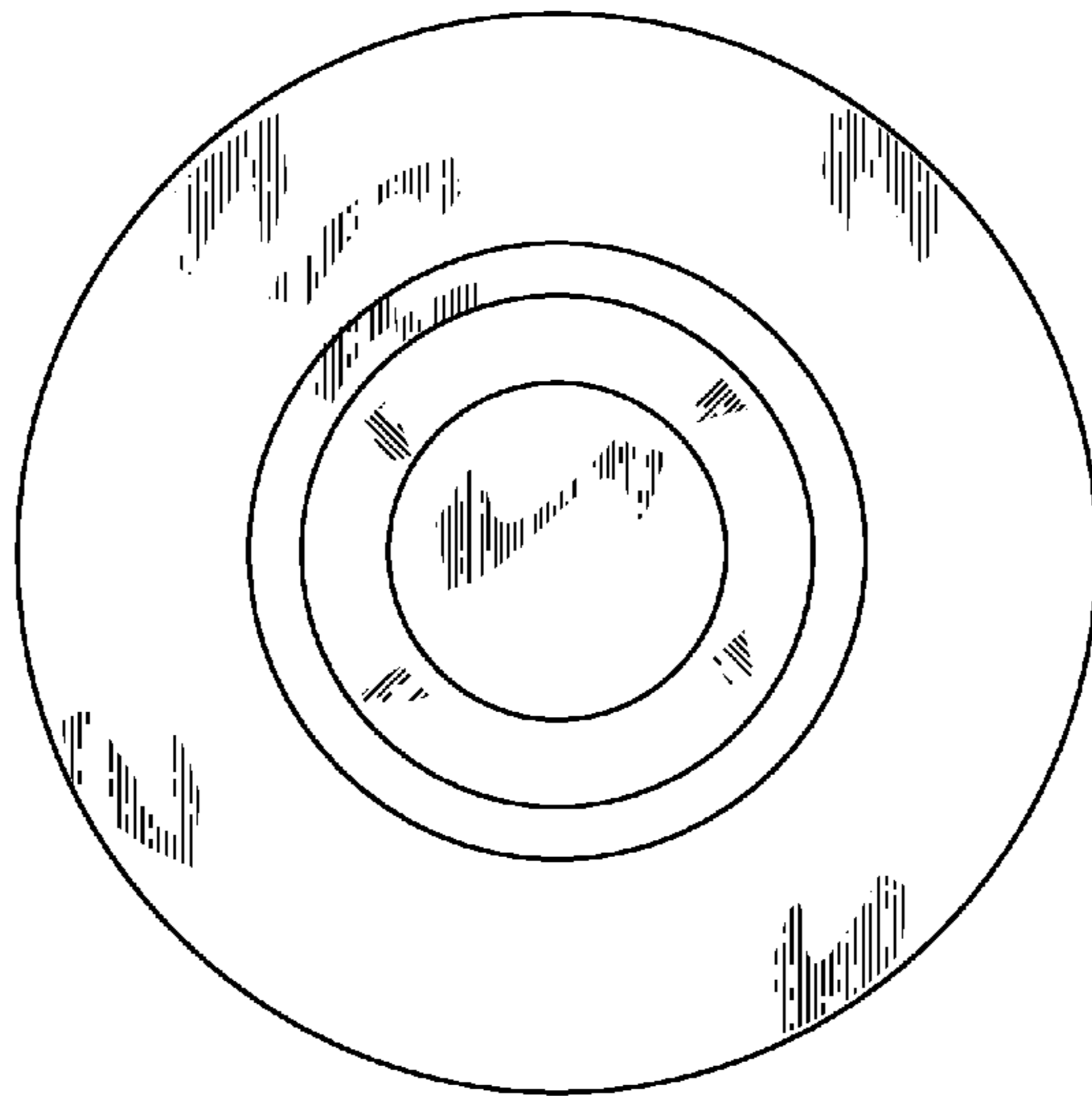


FIG. 3

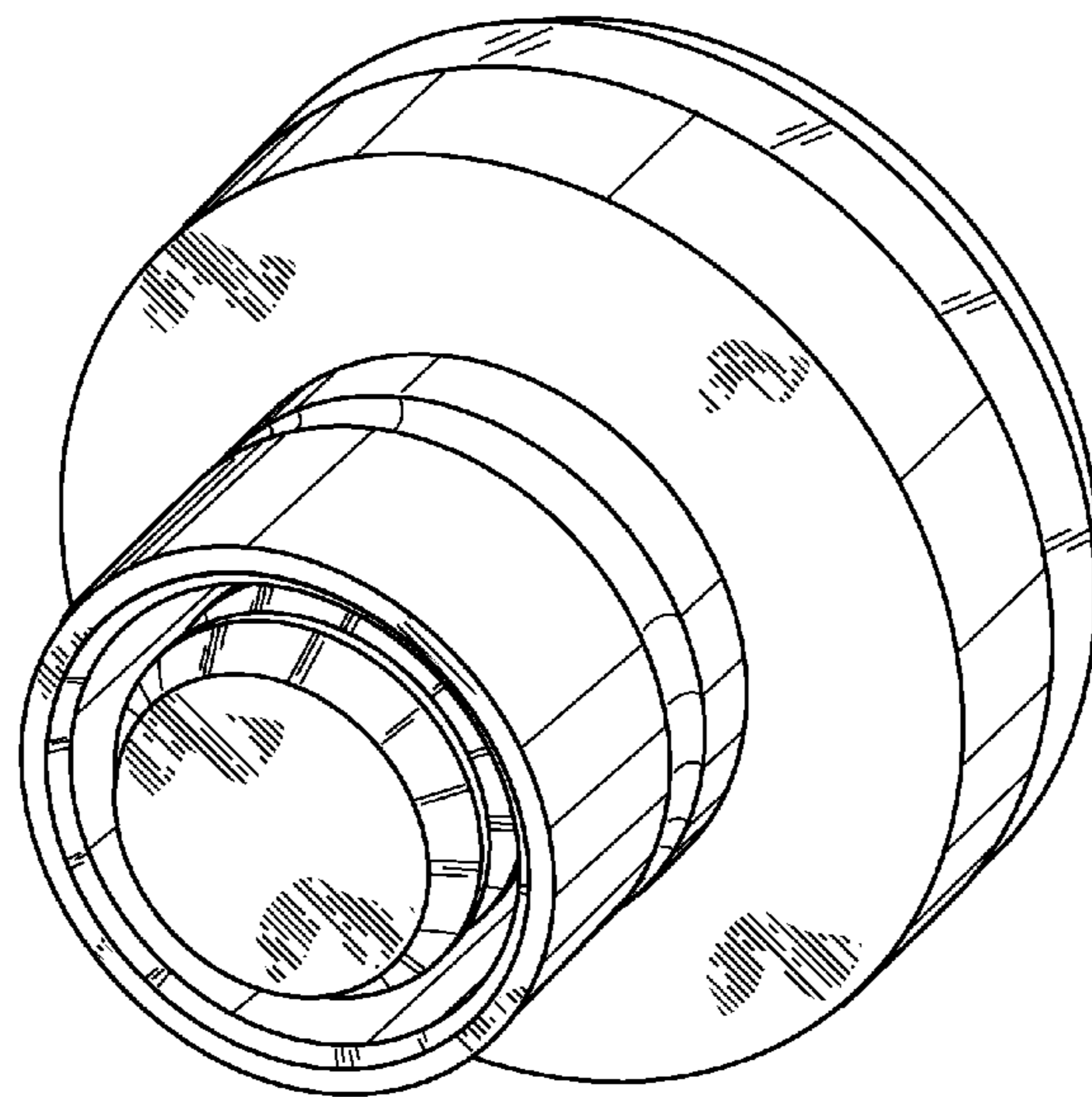


FIG. 4

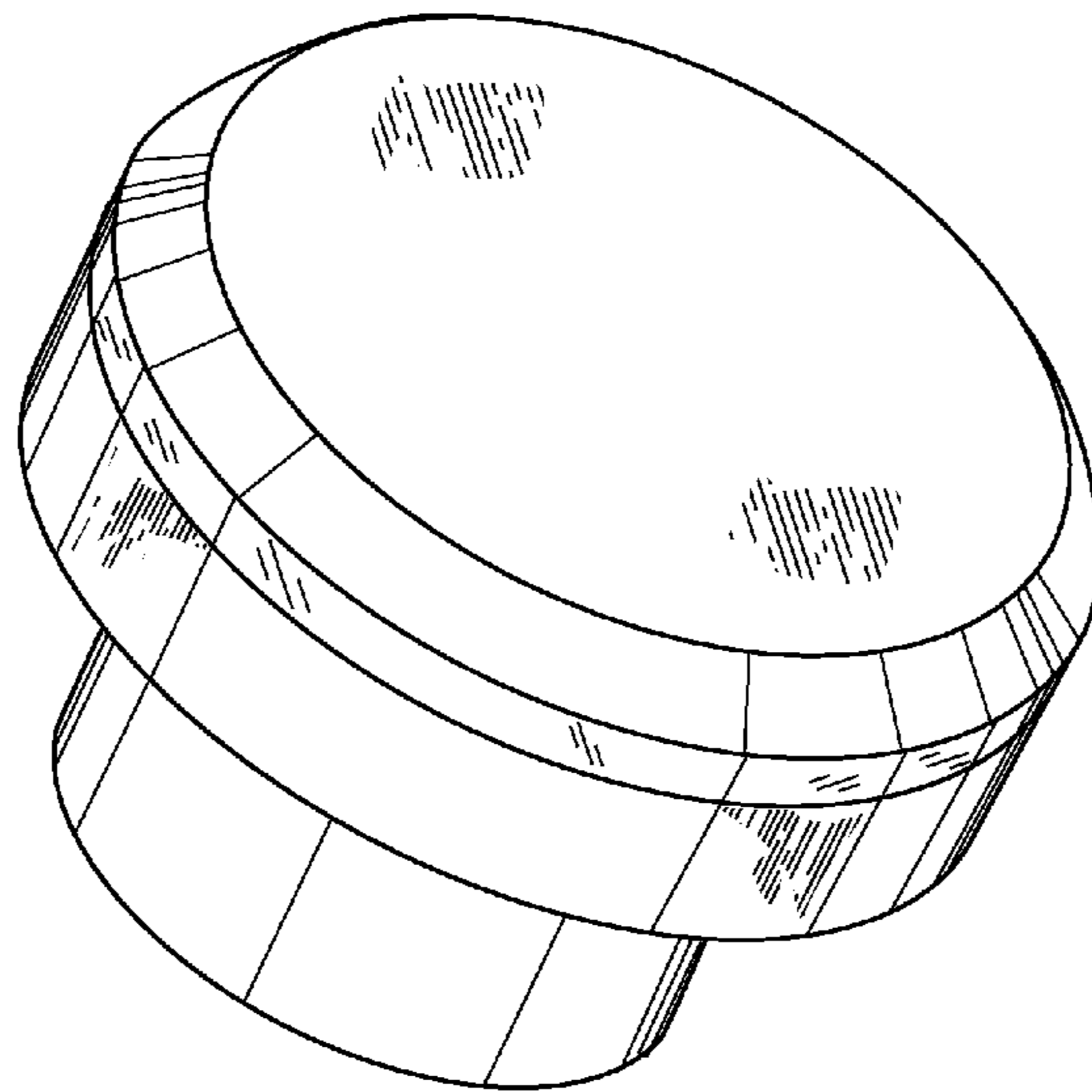


FIG. 5

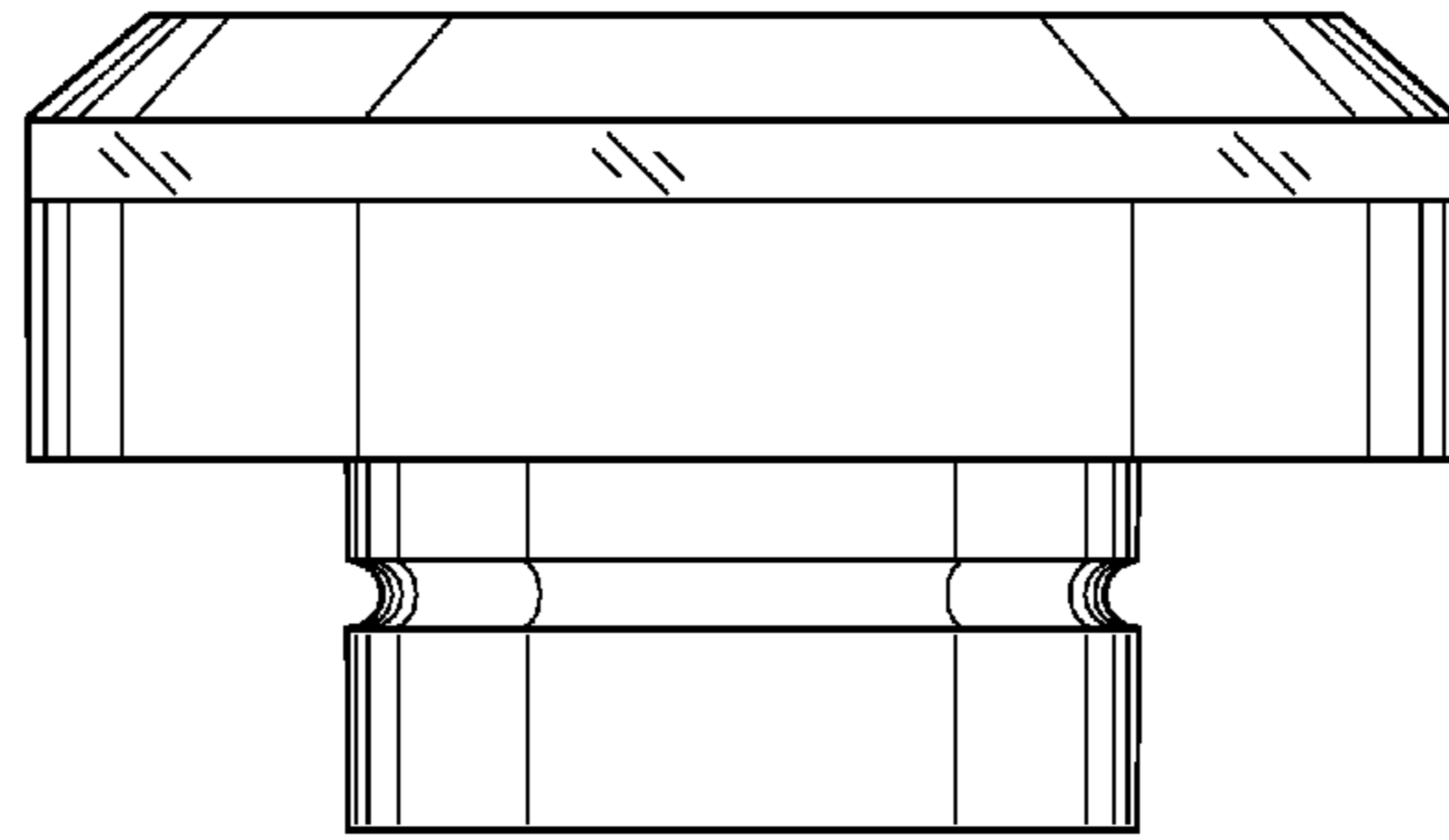


FIG. 6

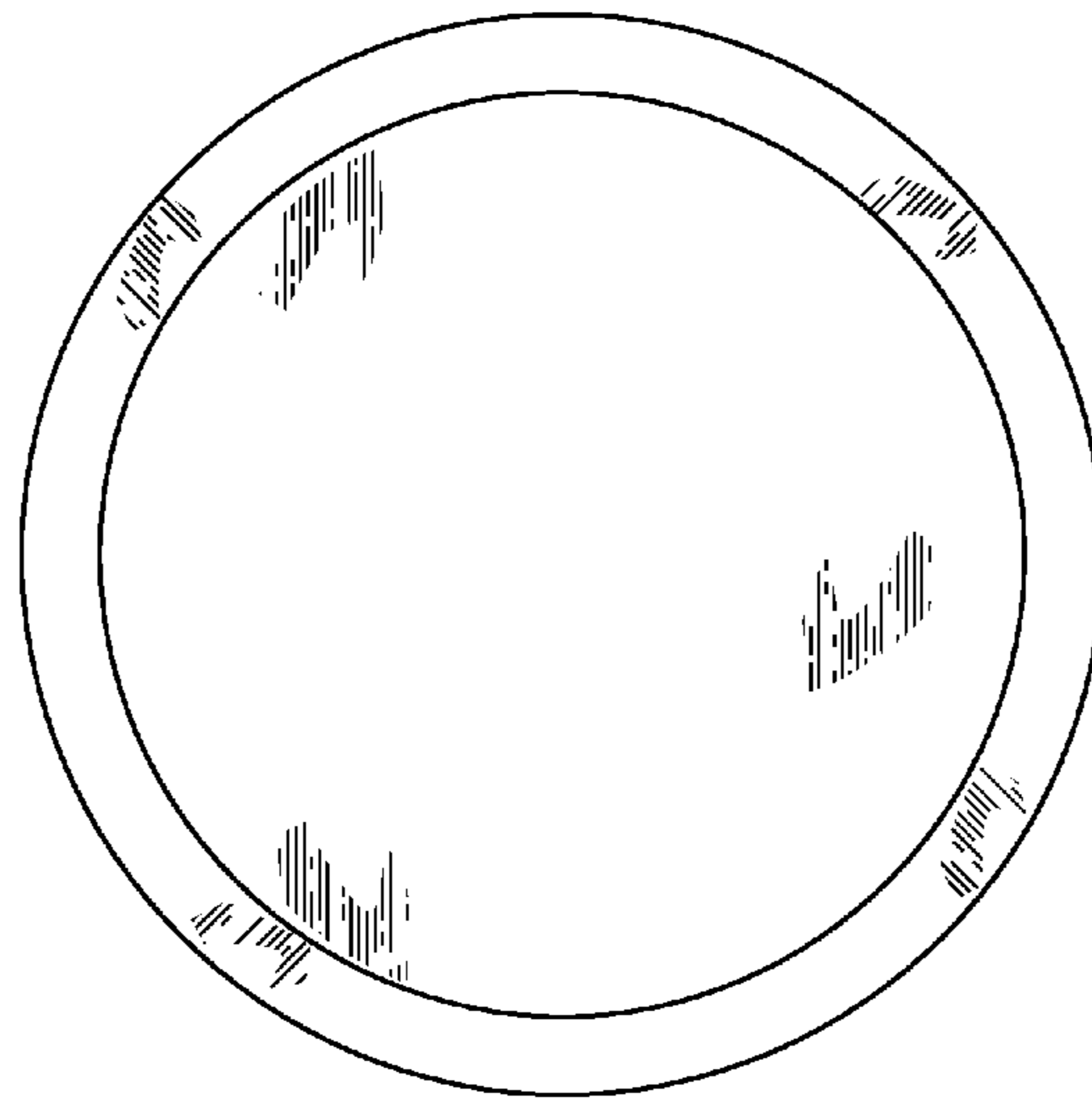


FIG. 7

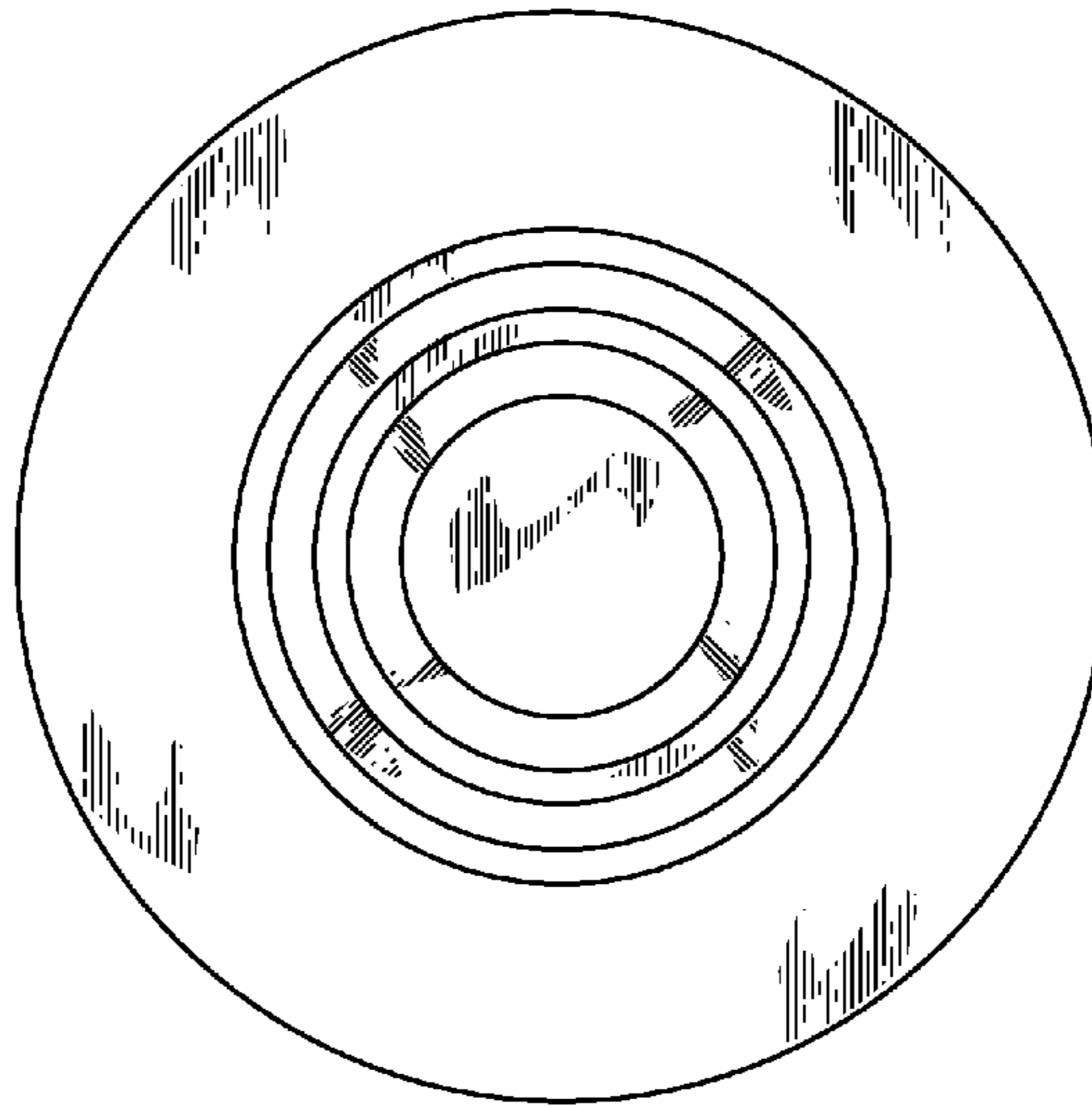


FIG. 8



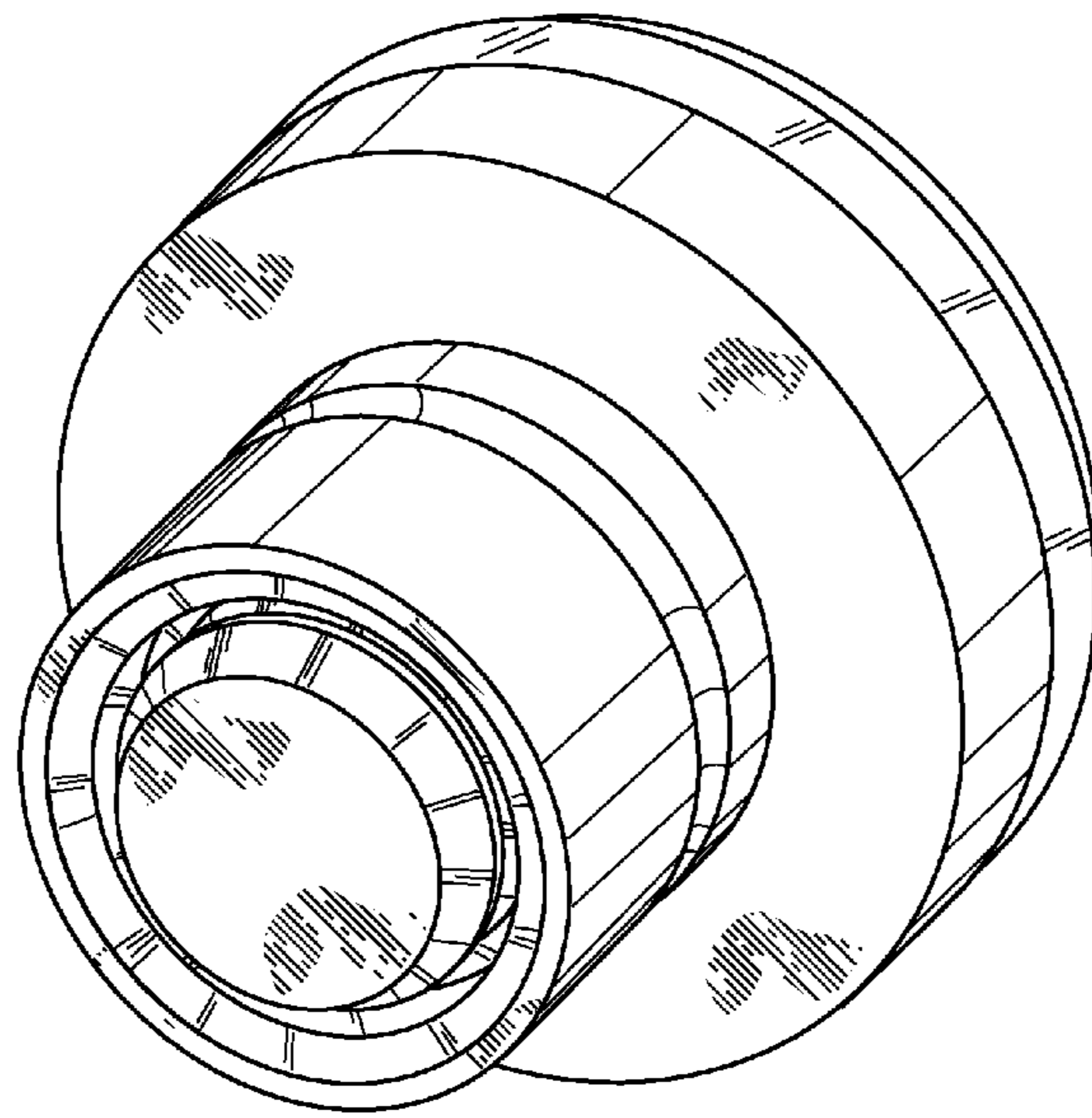


FIG. 9

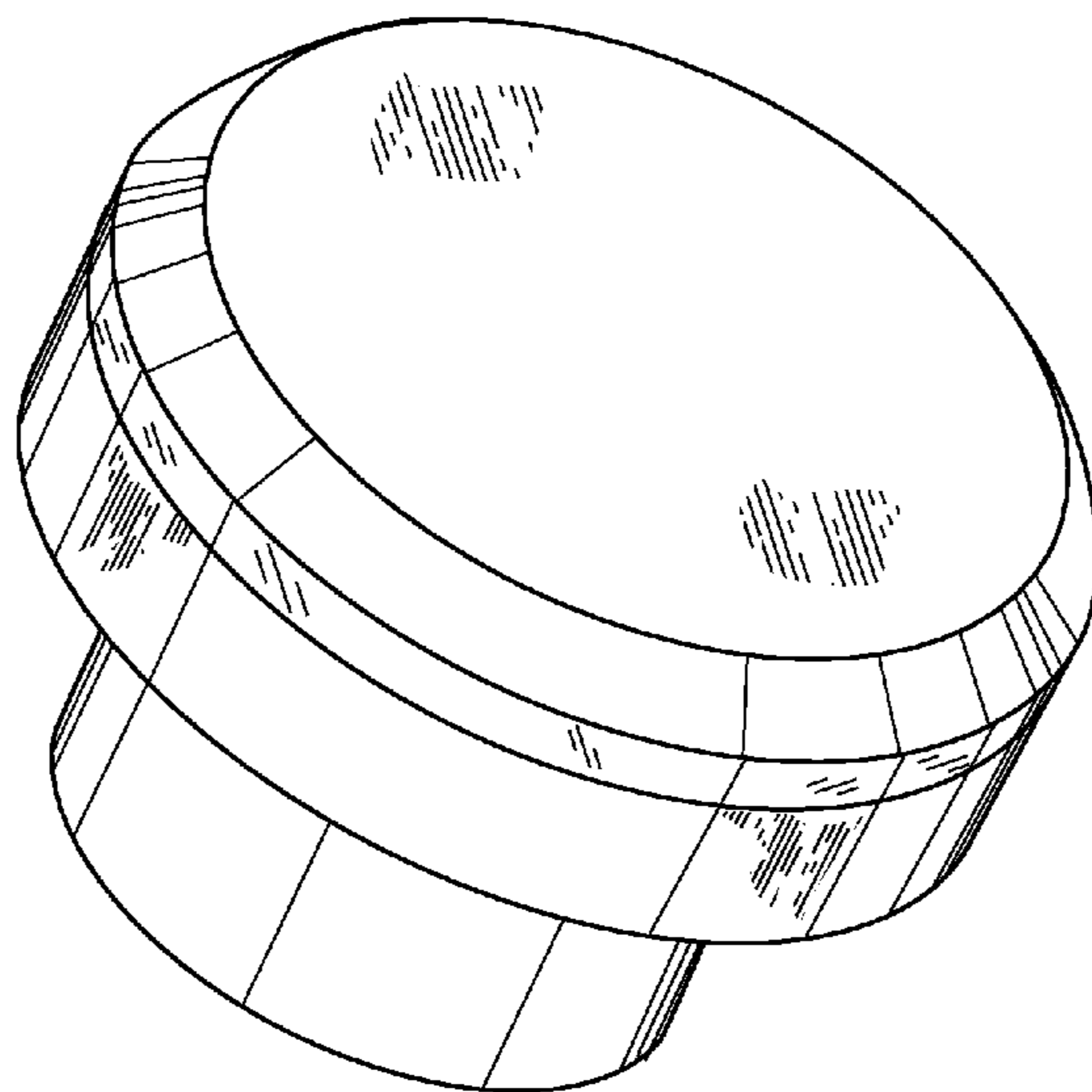


FIG. 10