



US00D668727S

(12) **United States Design Patent**
Ho

(10) **Patent No.:** **US D668,727 S**

(45) **Date of Patent:** **** Oct. 9, 2012**

(54) **CHEST DEVELOPER**

(76) Inventor: **Wei-Teh Ho**, Taipei (TW)

(**) Term: **14 Years**

(21) Appl. No.: **29/373,260**

(22) Filed: **Mar. 24, 2011**

(51) **LOC (9) Cl.** **21-02**

(52) **U.S. Cl.** **D21/688; D21/662**

(58) **Field of Classification Search** D21/662,
D21/668, 679, 680, 684, 686, 688-689, 694;
D24/211-215; D8/90, 315-317; 482/8,
482/62, 91, 92, 123, 128, 131-132, 140-142;
601/80, 113, 125

See application file for complete search history.

(56) **References Cited**

U.S. PATENT DOCUMENTS

4,111,417	A *	9/1978	Gardner	482/128
4,171,805	A *	10/1979	Abbott	482/132
4,743,014	A *	5/1988	Loane	482/71
5,205,802	A *	4/1993	Swisher	482/141
5,643,162	A *	7/1997	Landers et al.	482/131
6,186,930	B1 *	2/2001	Ignaczak	482/141
6,503,179	B2 *	1/2003	Miraflor	482/141
7,125,367	B1 *	10/2006	Stearns	482/141
7,134,987	B2 *	11/2006	Goldstein	482/141
D550,312	S *	9/2007	Summers	D21/668

D589,573	S *	3/2009	McVay et al.	D21/668
D603,001	S *	10/2009	Wong	D21/688
7,780,585	B1 *	8/2010	Rivas	482/140
D626,186	S *	10/2010	Tsai	D21/668
D627,011	S *	11/2010	Potok	D21/662
D641,810	S *	7/2011	Zhou	D21/668

* cited by examiner

Primary Examiner — Susan E Krakower

(74) *Attorney, Agent, or Firm* — Jackson IPG PLLC

(57) **CLAIM**

The ornamental design for a chest developer, as shown and described.

DESCRIPTION

FIG. 1 is a perspective view of a chest developer showing my new design;

FIG. 2 is a front view thereof;

FIG. 3 is a rear view thereof;

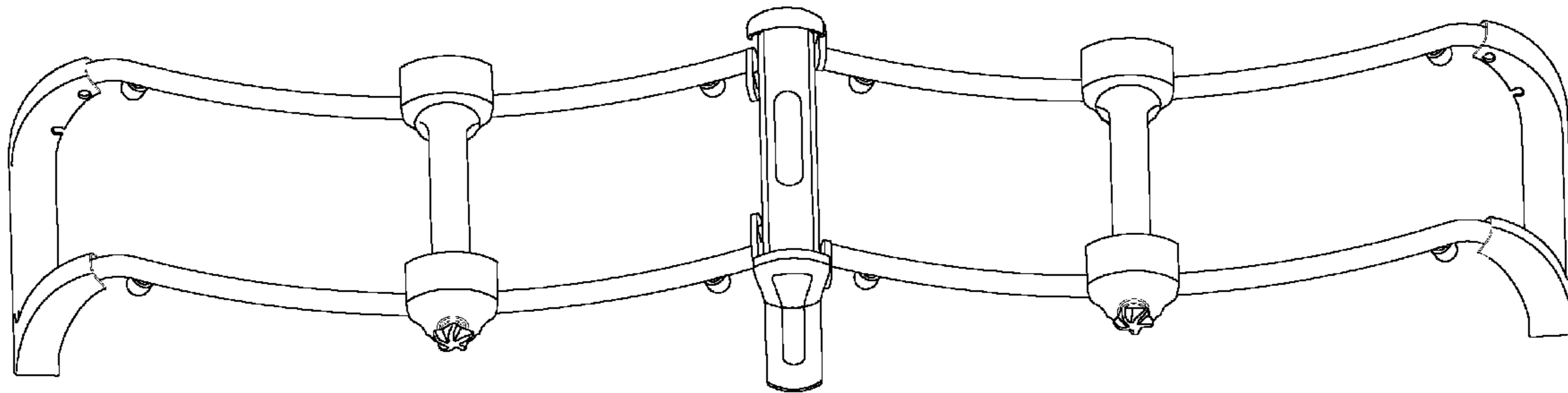
FIG. 4 is a right side view thereof;

FIG. 5 is a left side view thereof;

FIG. 6 is a top plan view thereof; and,

FIG. 7 is a bottom plan view thereof, where those portions of the design indicated by broken lines form no part of the claimed design.

1 Claim, 6 Drawing Sheets



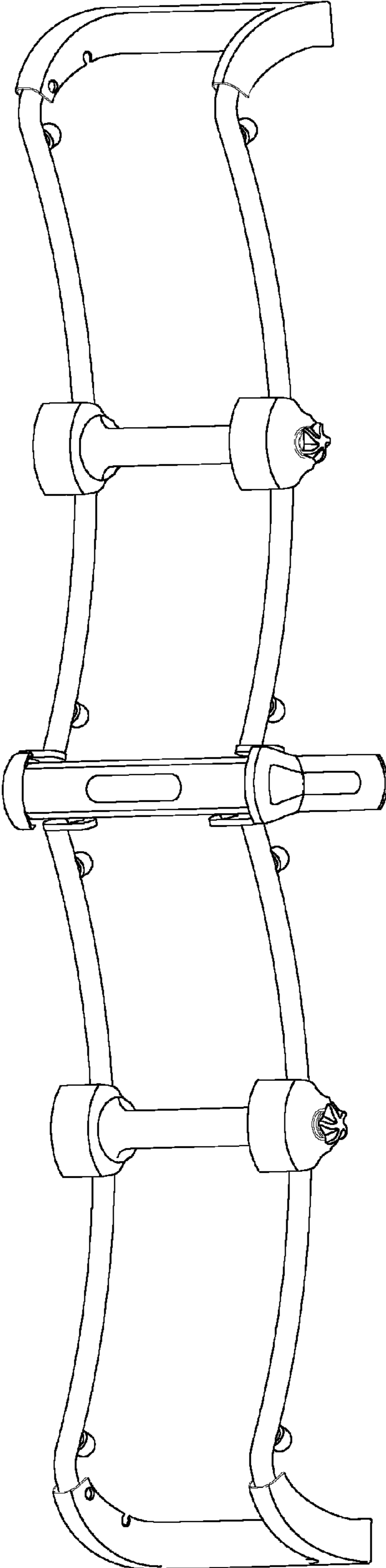


FIG. 1

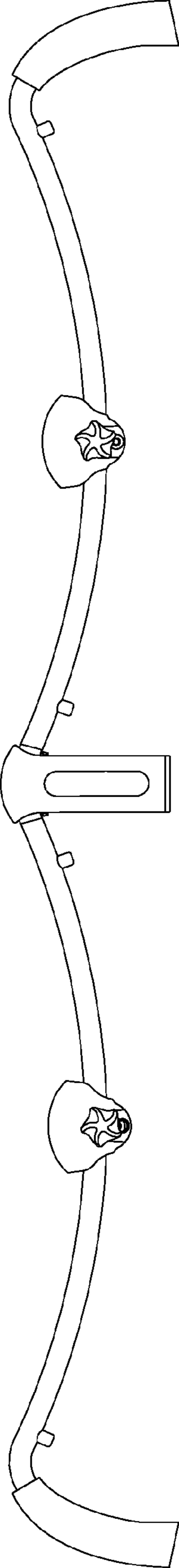


FIG. 2

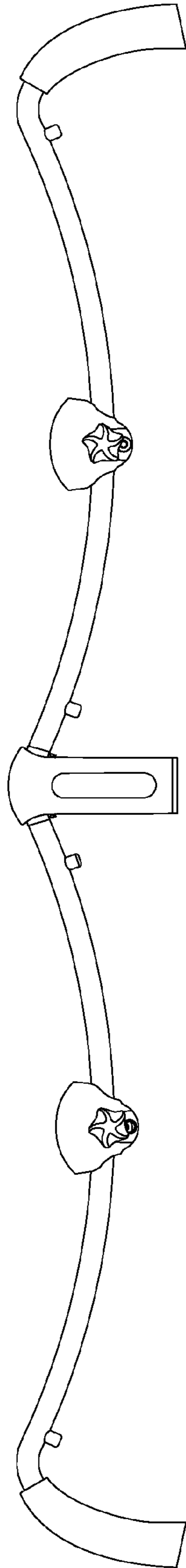


FIG. 3

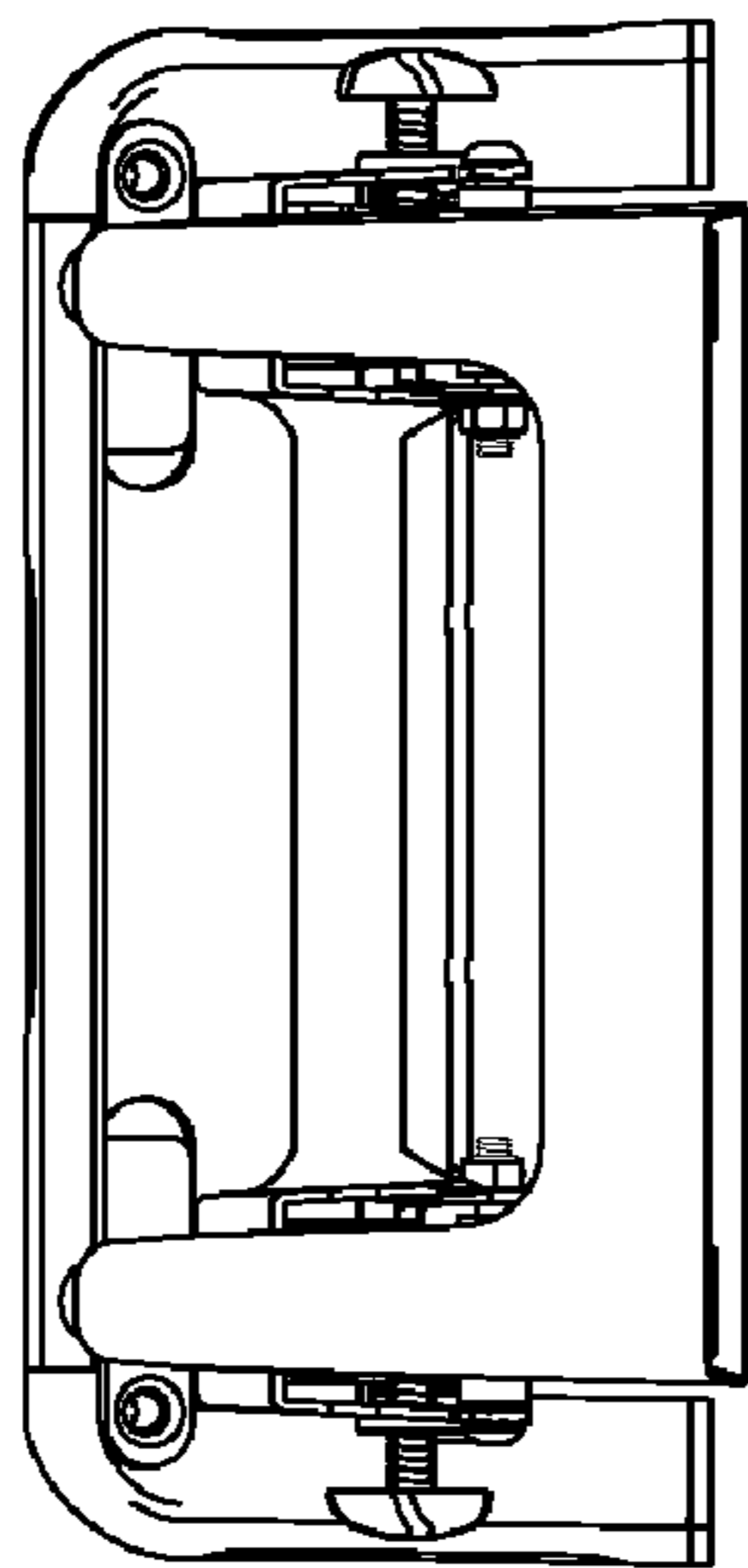


FIG. 5

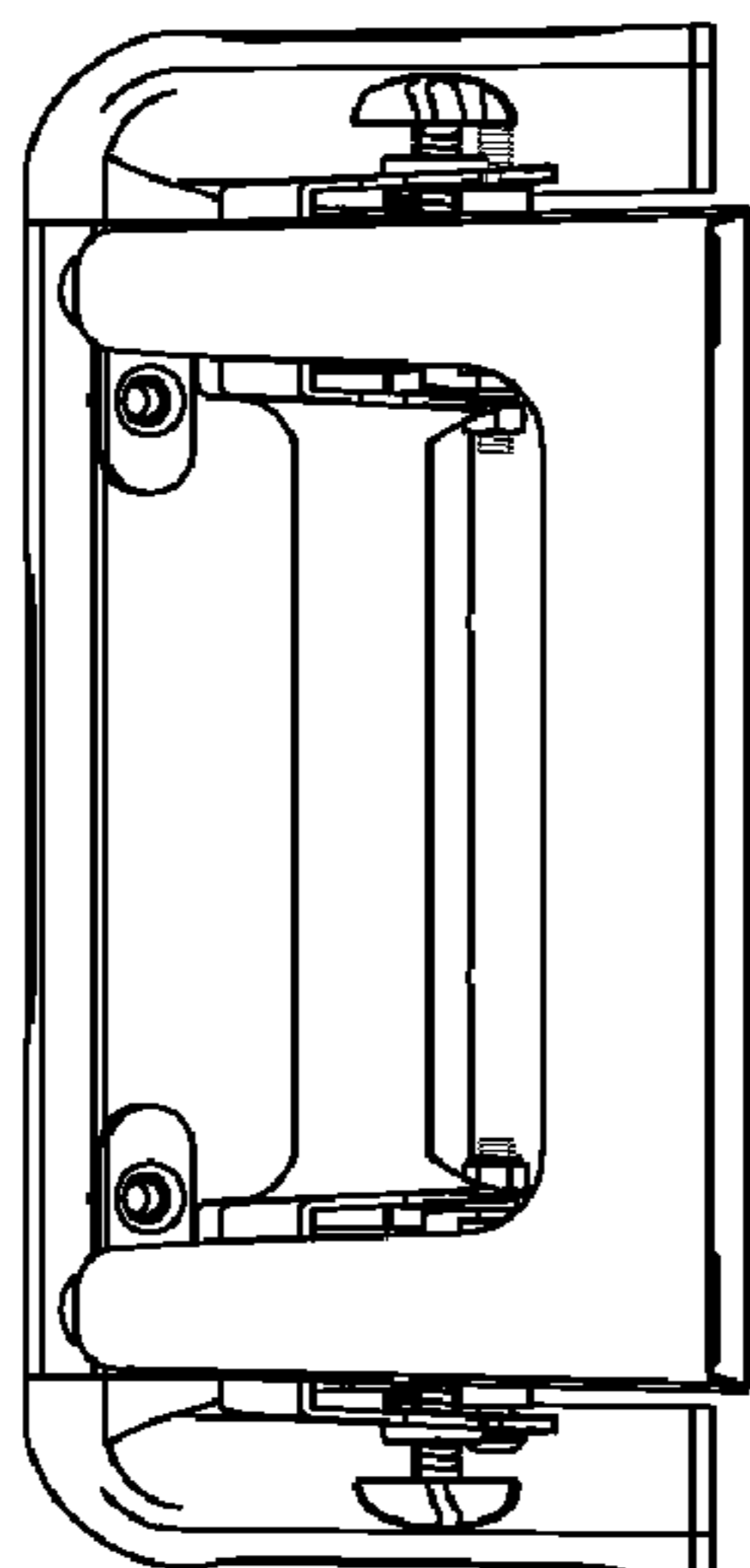


FIG. 4

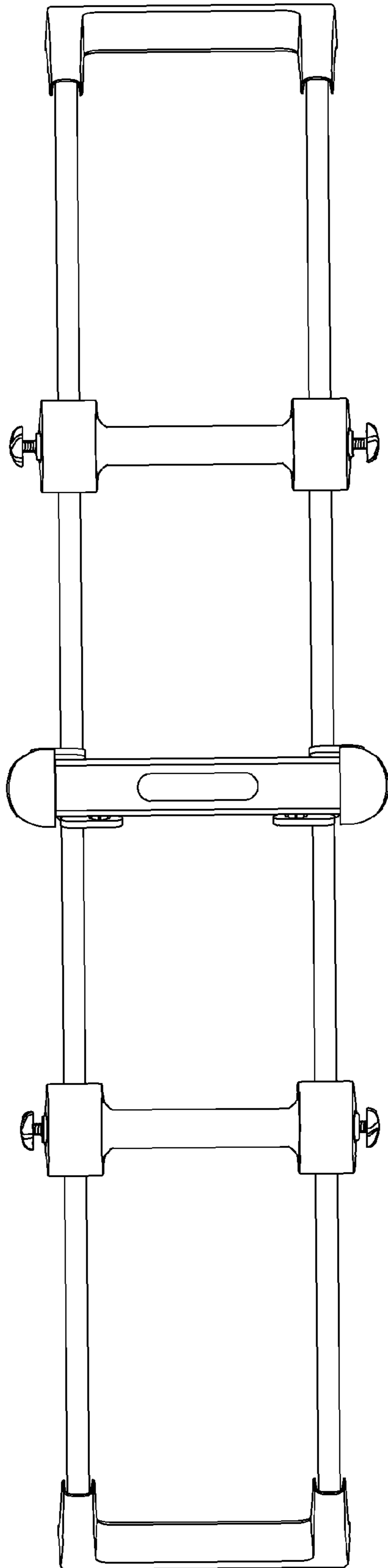


FIG. 6

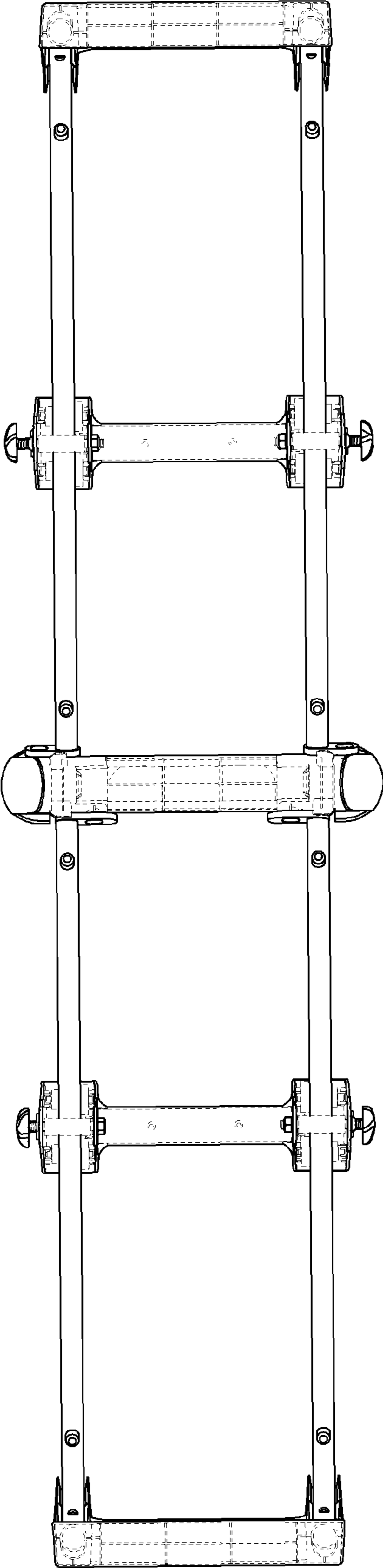


FIG. 7