

US00D668721S

(12) **United States Design Patent**
Bonnin et al.

(10) **Patent No.:** **US D668,721 S**
(45) **Date of Patent:** **** Oct. 9, 2012**

(54) **TOP SCREEN PANEL OF AN ALLEY BOWLER**

(75) Inventors: **Joshua D. Bonnin**, Green Bay, WI (US);
Gina M. Weyers, Green Bay, WI (US);
Mark B. Johnson, Green Bay, WI (US);
Gaetan J. Philippon, Manitowoc, WI (US)

(73) Assignee: **Bay Tek Games, Inc.**, Pulaski, WI (US)

(**) Term: **14 Years**

(21) Appl. No.: **29/389,027**

(22) Filed: **Apr. 6, 2011**

(51) **LOC (9) Cl.** **21-01**

(52) **U.S. Cl.** **D21/333; D21/325**

(58) **Field of Classification Search** D21/330,
D21/314, 318, 321, 322, 324-329, 369, 370;
273/148 B, 317, 108, 108.1, 118 R, 119 R,
273/121 R, 122 R, 123 R, 459-461; 463/1-5,
463/16-22, 30, 31, 46, 47

See application file for complete search history.

(56) **References Cited**

U.S. PATENT DOCUMENTS

1,221,803 A	4/1917	Johnston
1,531,880 A	3/1925	Ritter
2,010,213 A	8/1935	Bergoffen
2,724,594 A	11/1955	Anderson
2,806,701 A	9/1957	Durant

3,541,256 A *	11/1970	Anders	348/150
5,011,991 A *	4/1991	Nick et al.	564/204
D325,420 S *	4/1992	Mirando et al.	D21/325
D327,508 S *	6/1992	Mirando et al.	D21/325
5,167,413 A *	12/1992	Fulton	463/13
D333,164 S *	2/1993	Kraft et al.	D21/325
5,251,898 A *	10/1993	Dickenson et al.	273/143 R
5,584,763 A *	12/1996	Kelly et al.	463/16
D388,469 S *	12/1997	Dickenson et al.	D21/325
5,813,914 A *	9/1998	McKay et al.	463/46
5,820,460 A *	10/1998	Fulton	463/13
D463,503 S *	9/2002	Stephan	D21/325
D472,936 S *	4/2003	Ohtomi et al.	D21/325
2005/0206084 A1	9/2005	Krouse et al.		

* cited by examiner

Primary Examiner — Prabhakar Deshmukh

(74) *Attorney, Agent, or Firm* — Andrus, Scales, Starke & Sawall, LLP

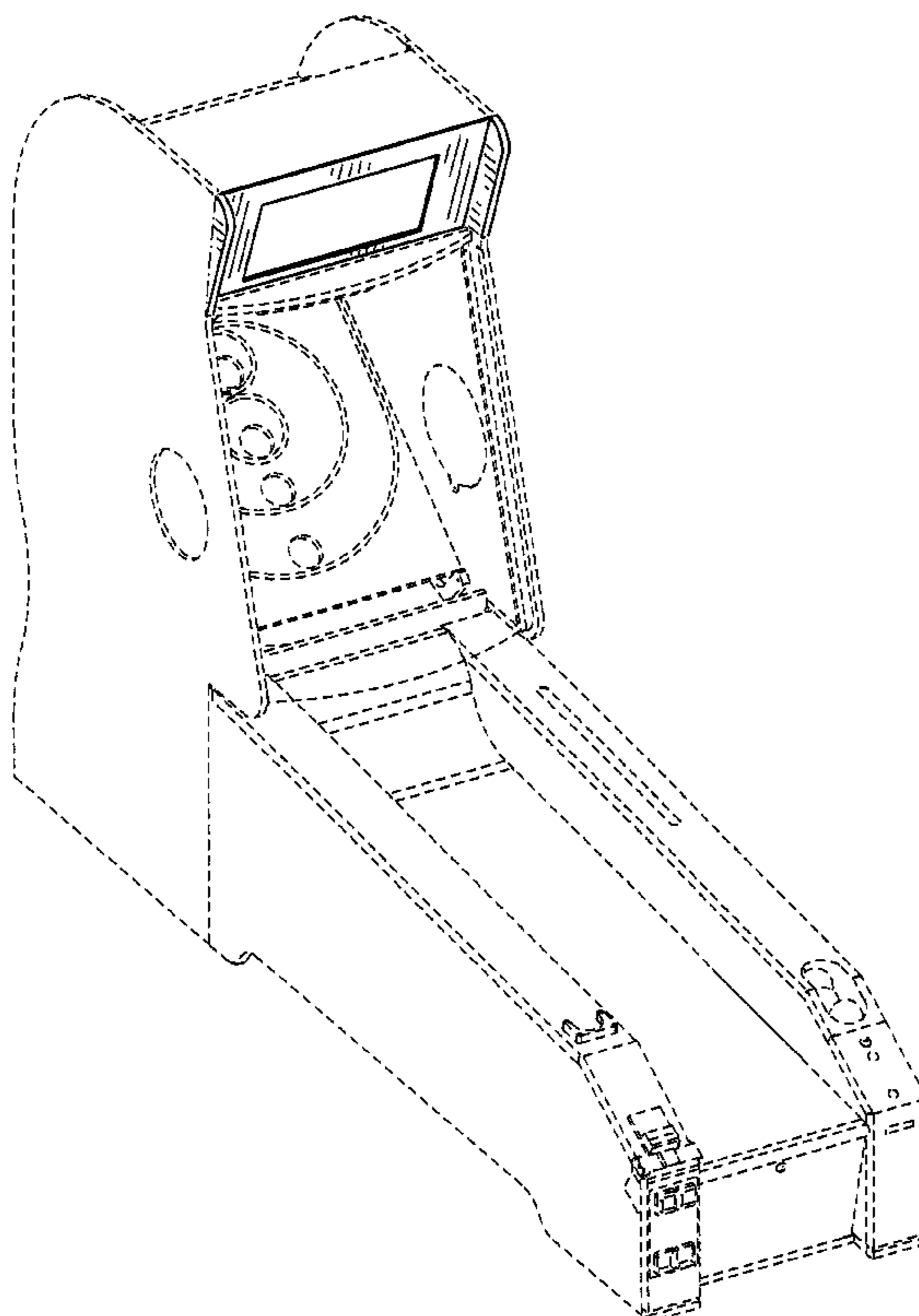
(57) **CLAIM**

The ornamental design for a top screen panel of an alley bowler, as shown and described.

DESCRIPTION

FIG. 1 is a perspective view of a top screen panel of an alley bowler showing our new design;
FIG. 2 is a front elevation view thereof;
FIG. 3 is a left side elevation view thereof, where the right side elevation view is a mirror image thereof; and,
FIG. 4 is a top elevation view thereof.
The portions shown in phantom illustrate environment and form no part of the claimed design.

1 Claim, 4 Drawing Sheets



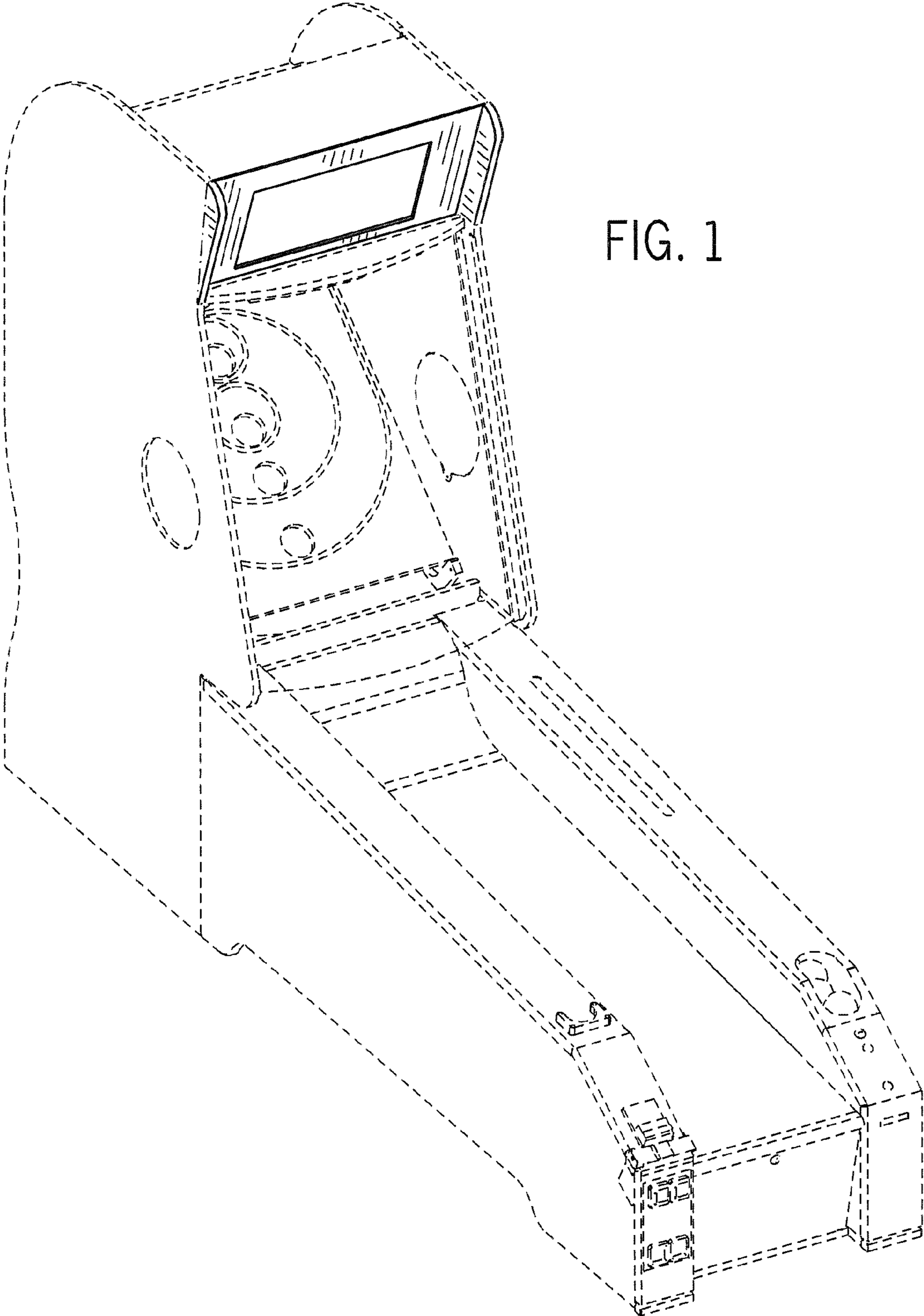


FIG. 1

FIG. 2

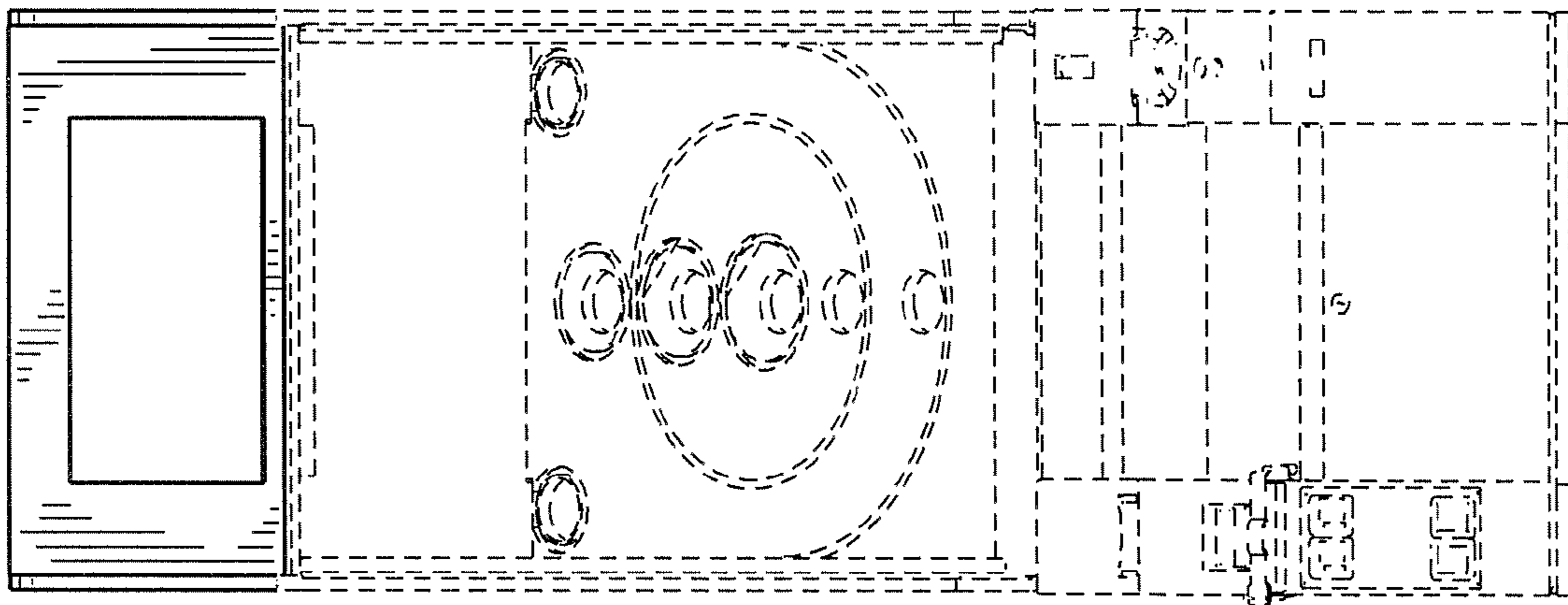
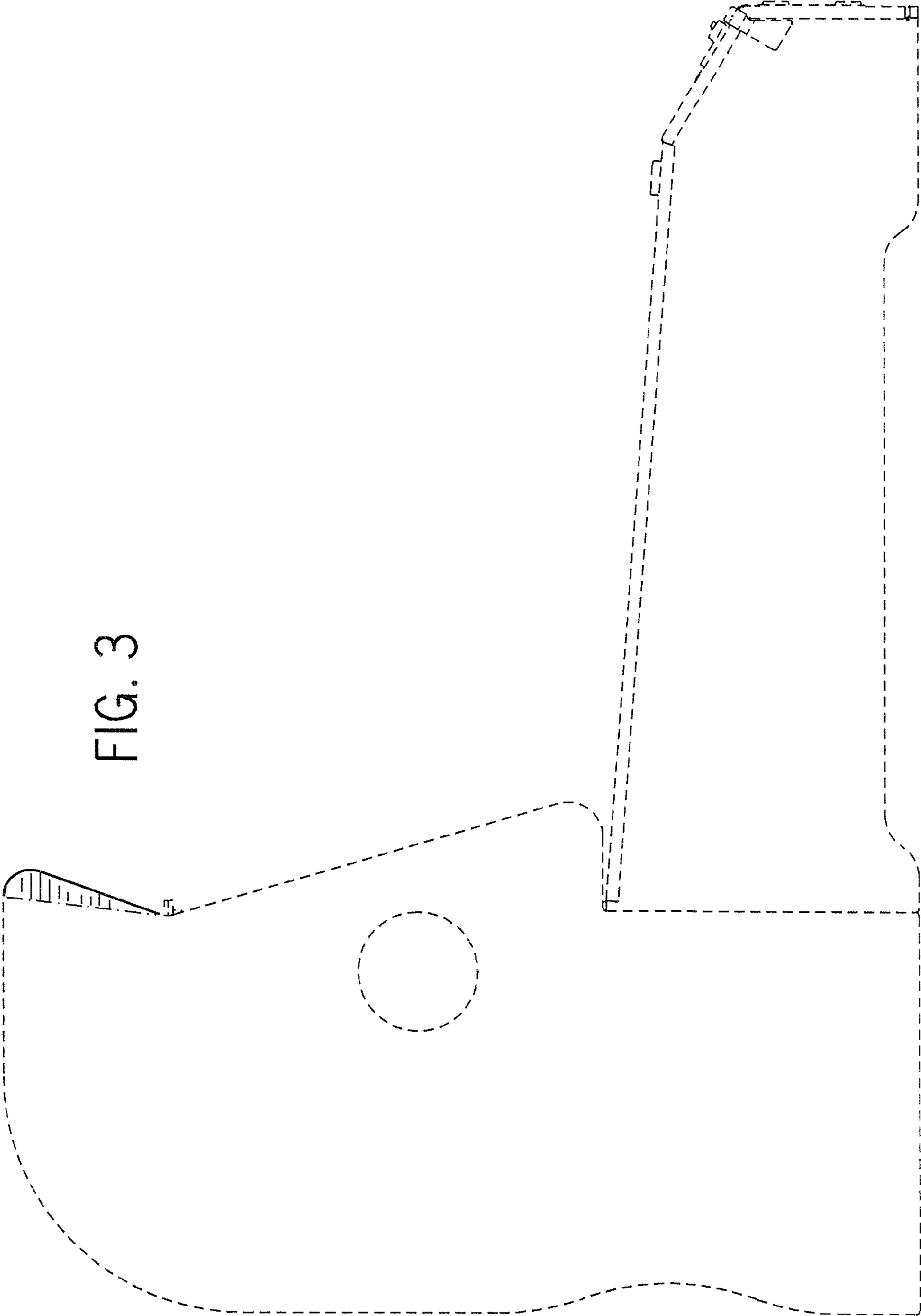


FIG. 3



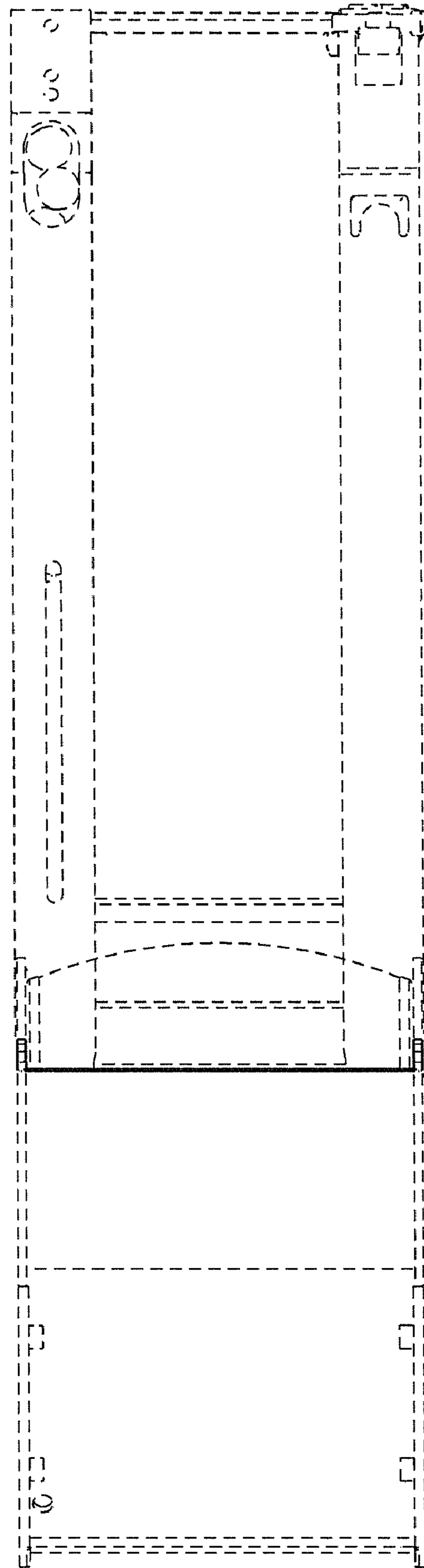


FIG. 4