

US00D668720S

(12) **United States Design Patent**
Mascarelli

(10) **Patent No.:** **US D668,720 S**

(45) **Date of Patent:** **** Oct. 9, 2012**

(54) **CRAYON-SHAPED KIOSK**

(76) Inventor: **Robert J. Mascarelli**, Westbury, NY
(US)

(**) Term: **14 Years**

(21) Appl. No.: **29/412,656**

(22) Filed: **Feb. 6, 2012**

(51) **LOC (9) Cl.** **20-03**

(52) **U.S. Cl.** **D20/29**

(58) **Field of Classification Search** D20/3,
D20/10, 19, 21, 29, 30, 34, 37, 42, 43, 99;
40/1, 299.01, 411, 421, 446, 538, 541, 542,
40/584; D19/41, 42; 446/8

See application file for complete search history.

(56) **References Cited**

U.S. PATENT DOCUMENTS

| | | | | | | |
|-----------|---|---|---------|----------------|-------|--------|
| 4,878,867 | A | * | 11/1989 | Dworman et al. | | 446/8 |
| D417,703 | S | * | 12/1999 | Saito | | D20/37 |
| D495,010 | S | * | 8/2004 | Osigwe et al. | | D20/37 |
| D500,810 | S | * | 1/2005 | Osigwe et al. | | D20/37 |
| D566,779 | S | * | 4/2008 | Simasko | | D20/43 |

| | | | | | | |
|----------|---|---|---------|--------------|-------|--------|
| D629,462 | S | * | 12/2010 | Wiese et al. | | D20/3 |
| D649,197 | S | * | 11/2011 | Muzar, Jr. | | D20/29 |
| D656,192 | S | * | 3/2012 | Chen | | D19/41 |

* cited by examiner

Primary Examiner — Mary Ann Calabrese

(74) *Attorney, Agent, or Firm* — QuickPatents, Inc.; Kevin Prince

(57) **CLAIM**

I claim the ornamental design for a crayon-shaped kiosk, as shown and described.

DESCRIPTION

FIG. 1 is a perspective view of a crayon-shaped kiosk, showing my new design;

FIG. 2 is a front elevational view thereof;

FIG. 3 is a left-side elevational view thereof, the right-side elevational view being a mirror image thereof;

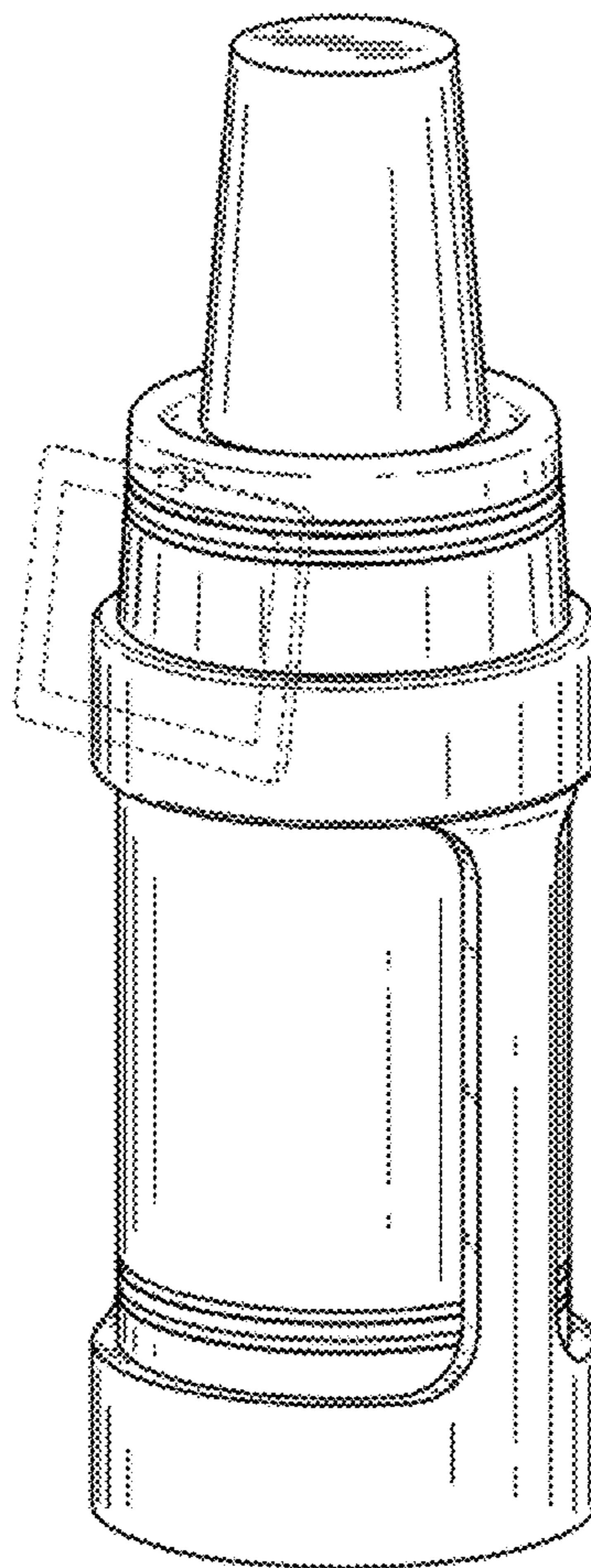
FIG. 4 is a rear elevational view thereof;

FIG. 5 is a top plan view thereof; and,

FIG. 6 is a bottom plan view thereof.

The broken lines in the figures showing an electronic device depict environmental matter that forms no part of the claimed design.

1 Claim, 3 Drawing Sheets



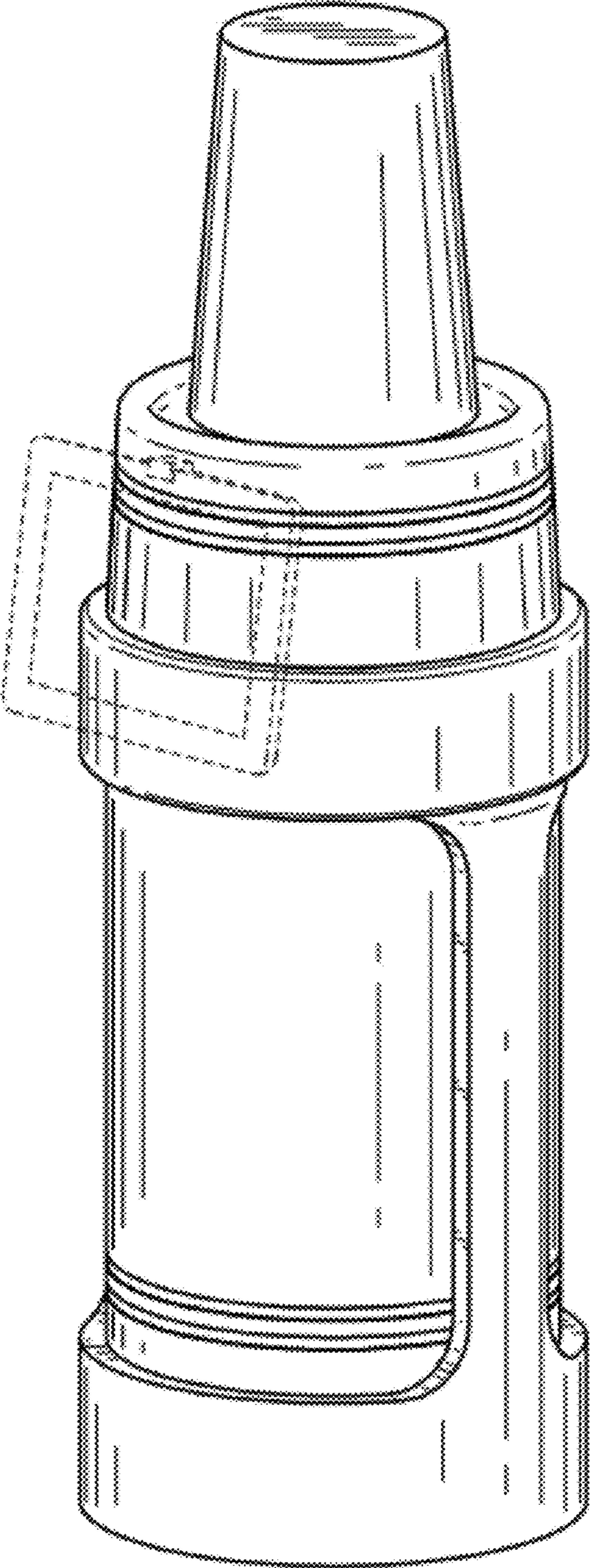


FIG. 1

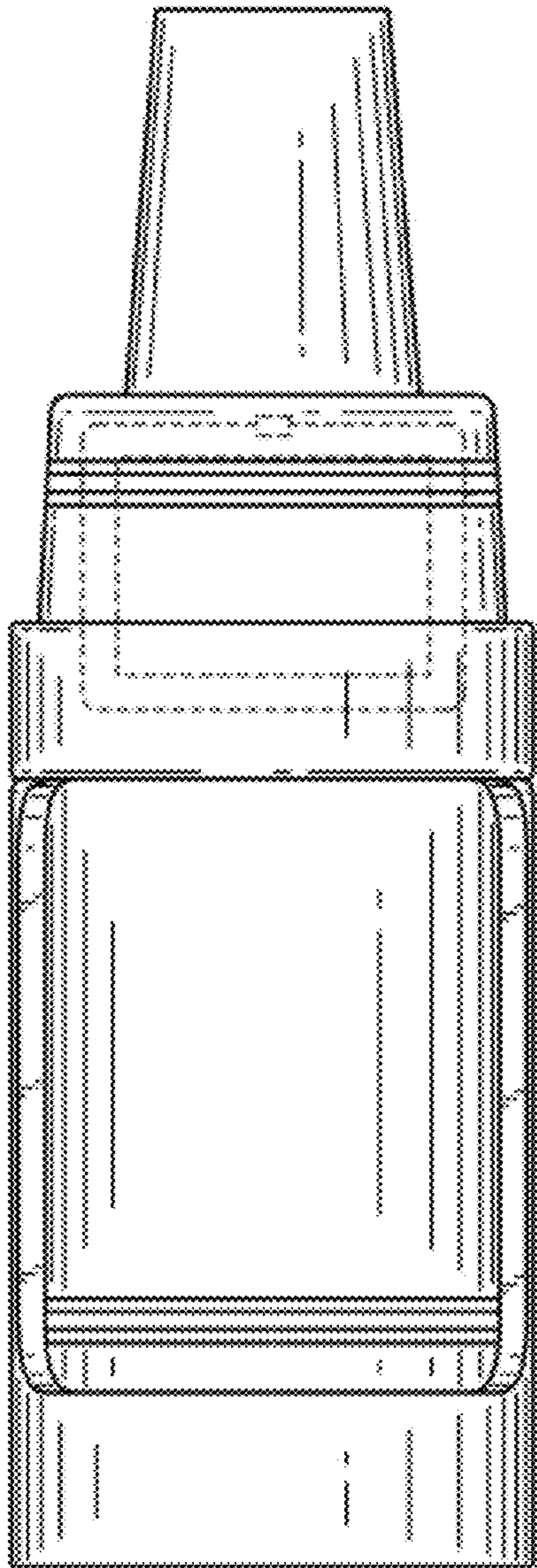


FIG. 2

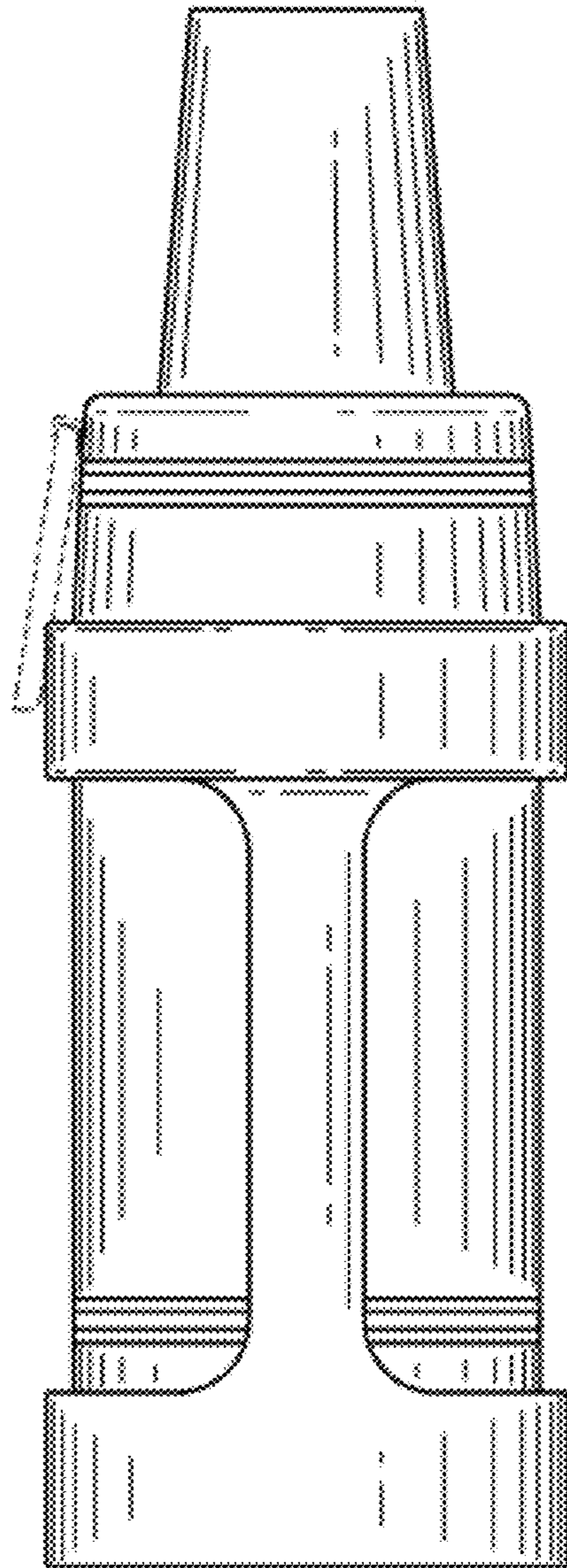


FIG. 3

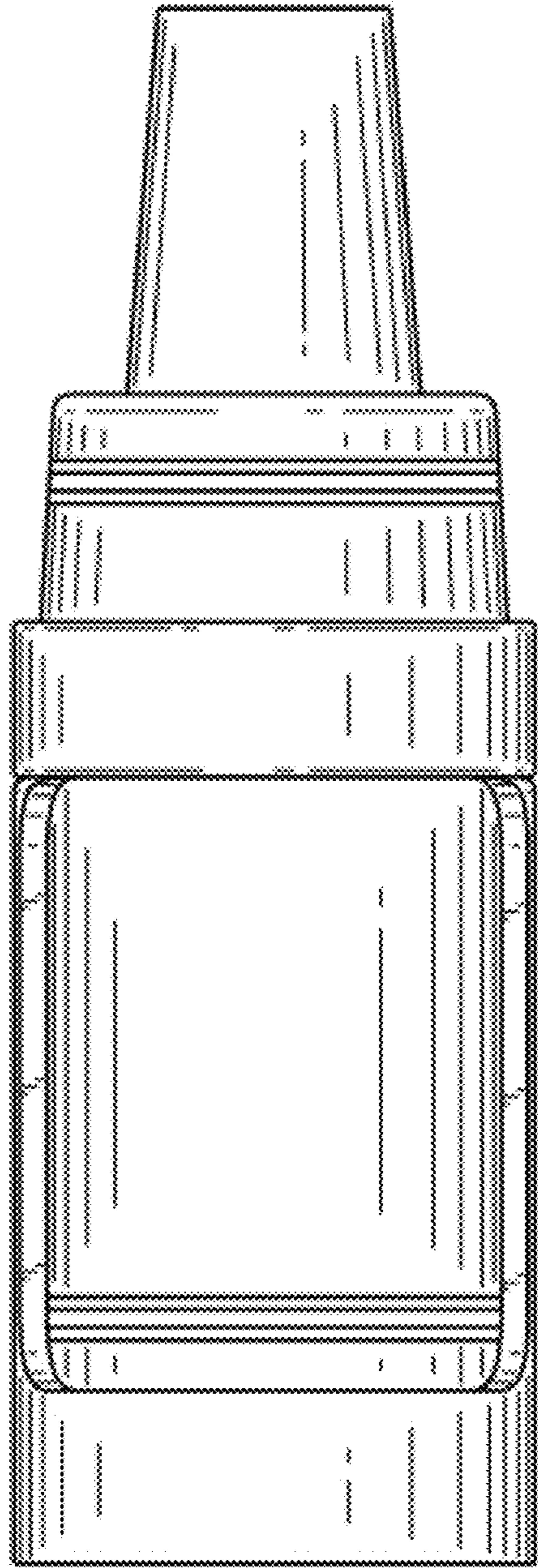


FIG. 4

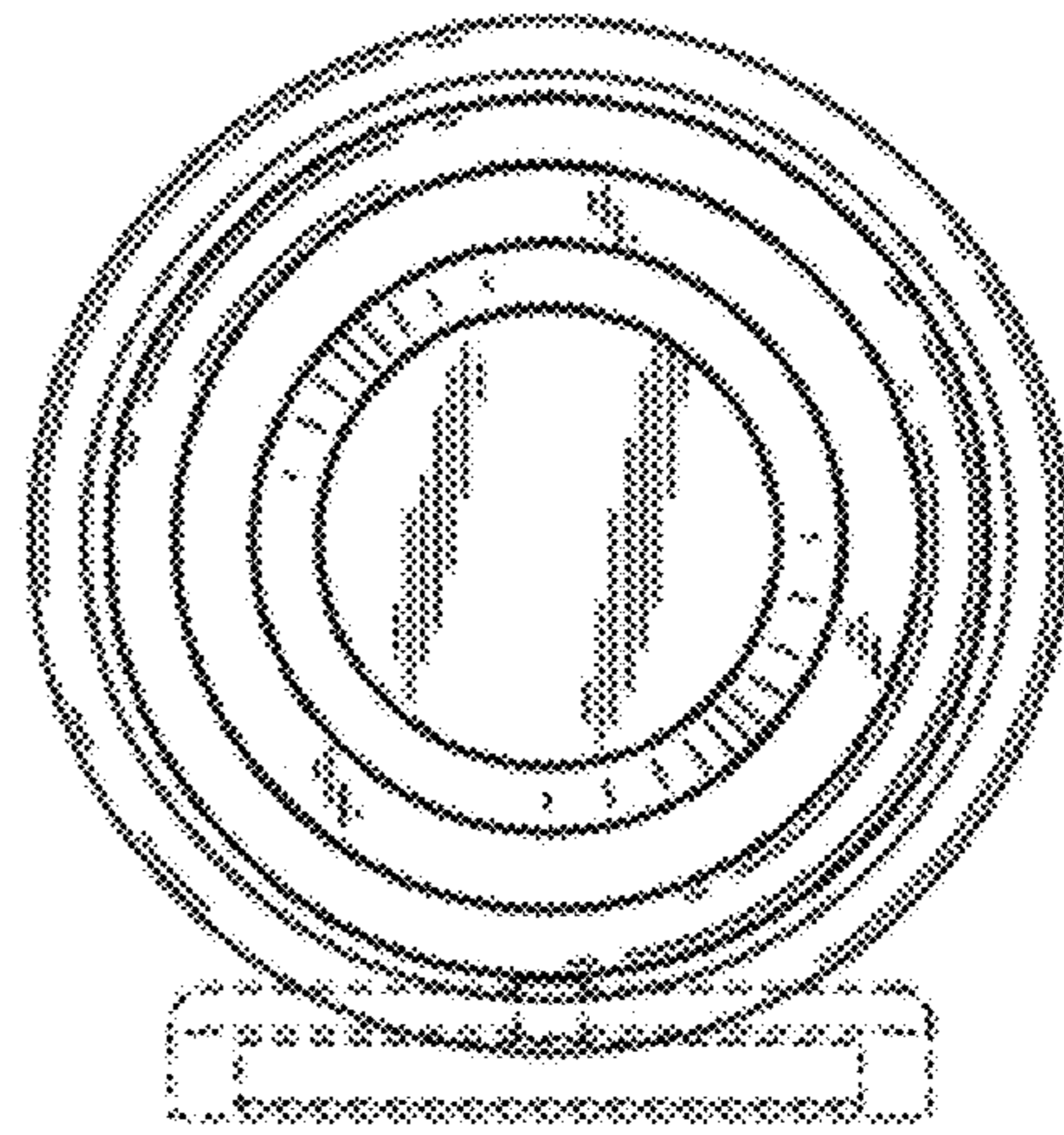


FIG. 5

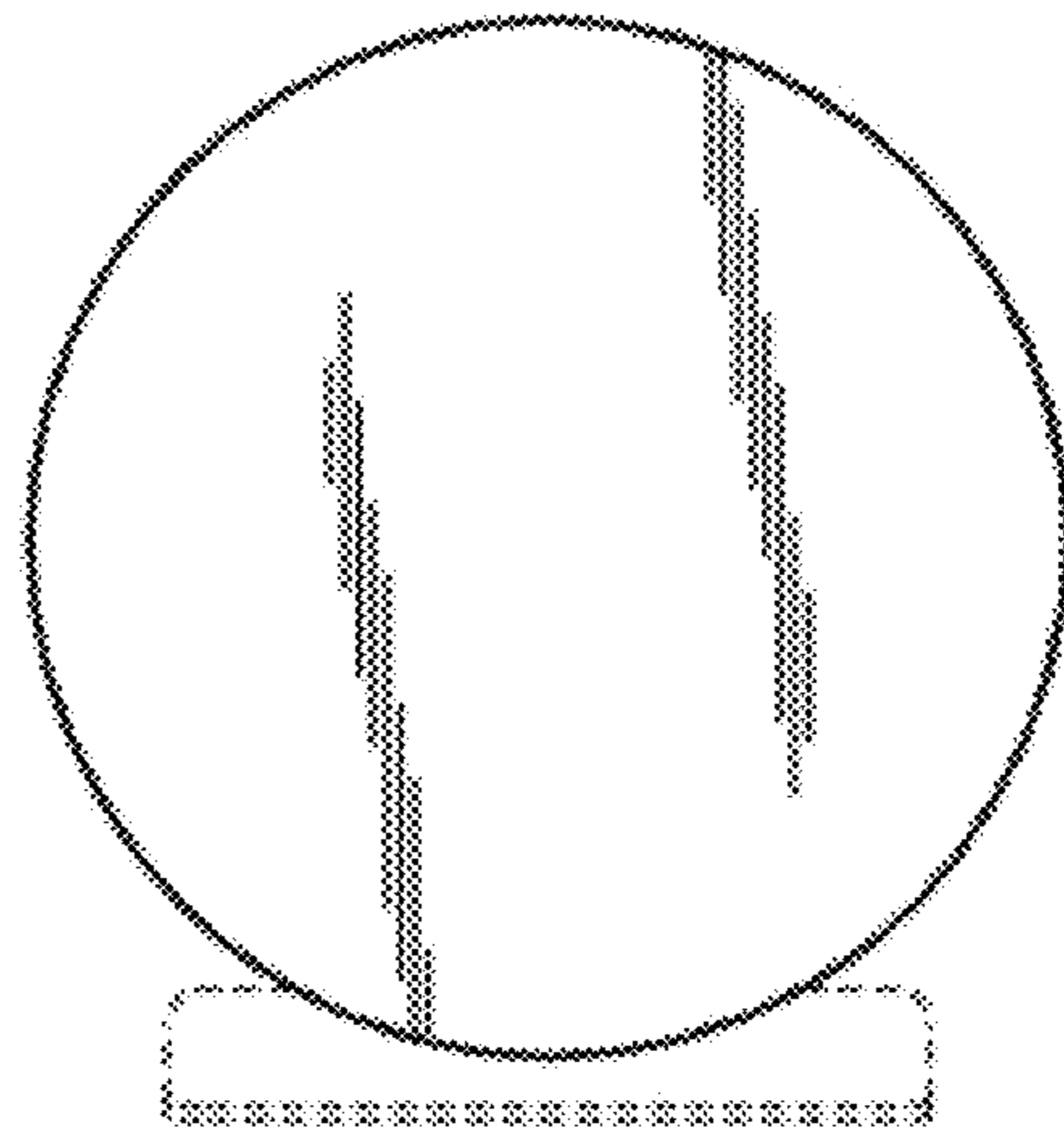


FIG. 6