

US00D668716S

(12) **United States Design Patent**
Bettinger

(10) **Patent No.:** **US D668,716 S**

(45) **Date of Patent:** **** Oct. 9, 2012**

(54) **CLEAR CLASP REUSABLE ENVELOPE**

(75) Inventor: **James Edward Bettinger**, Shorewood, MN (US)

(73) Assignee: **Cenveo Corporation**, Stamford, CT (US)

(**) Term: **14 Years**

(21) Appl. No.: **29/376,145**

(22) Filed: **Oct. 1, 2010**

(51) **LOC (9) Cl.** **19-01**

(52) **U.S. Cl.** **D19/3**

(58) **Field of Classification Search** D19/1-8, D19/86, 90, 99, 91, 75, 26-28, 32; 229/67.1, 229/67.4, 68.1, 300, 301-316, 76-80, 80.5, 229/92, 92.8, 921, 928-930; 283/103, 116-117, 283/81; 281/3.1, 15.1, 21.1, 28; 402/79, 402/80 R; 383/125-126; 206/232, 425, 206/215, 309-313; 40/124.09, 124.19; D20/22, D20/27

See application file for complete search history.

(56) **References Cited**

U.S. PATENT DOCUMENTS

1,294,324	A *	2/1919	Verengel	229/77
1,336,629	A *	4/1920	Kimbark	24/411
1,476,650	A *	12/1923	Schinscholl	229/78.2
1,619,215	A *	3/1927	Olgay	229/77
1,791,352	A	2/1931	Colonnese	
1,974,339	A	9/1934	McDonald	
2,072,125	A *	3/1937	Novick	411/442
2,206,044	A *	7/1940	Novick	229/78.2
2,264,184	A *	11/1941	Novick	24/703.1
2,349,127	A *	5/1944	Ahlquist	229/78.2

2,374,798	A *	5/1945	Berkowitz	229/77
3,750,938	A *	8/1973	Wiseman	229/77
4,192,448	A	3/1980	Porth	
4,234,122	A *	11/1980	Lillibridge	229/77
4,283,003	A *	8/1981	Lillibridge	229/77
5,429,576	A	7/1995	Doderer-Winkler	
6,098,872	A *	8/2000	Ong	229/72
2009/0001150	A1	1/2009	Care	

OTHER PUBLICATIONS

ebay.com Qua43468 "Quality Park Resealable Redi Tac Clear Clasp Envelope" Copy Right 1995-2011.*

Amazon.com (NPL), Quality Park Postage Clear Clasp Envelopes; Dated Jun. 21, 2007; total two pages.*

* cited by examiner

Primary Examiner — Caron D Veynar

Assistant Examiner — Abraham Bahta

(74) *Attorney, Agent, or Firm* — St. Onge Steward Johnston & Reens LLC

(57) **CLAIM**

The ornamental design for a clear clasp reusable envelope, as shown and described.

DESCRIPTION

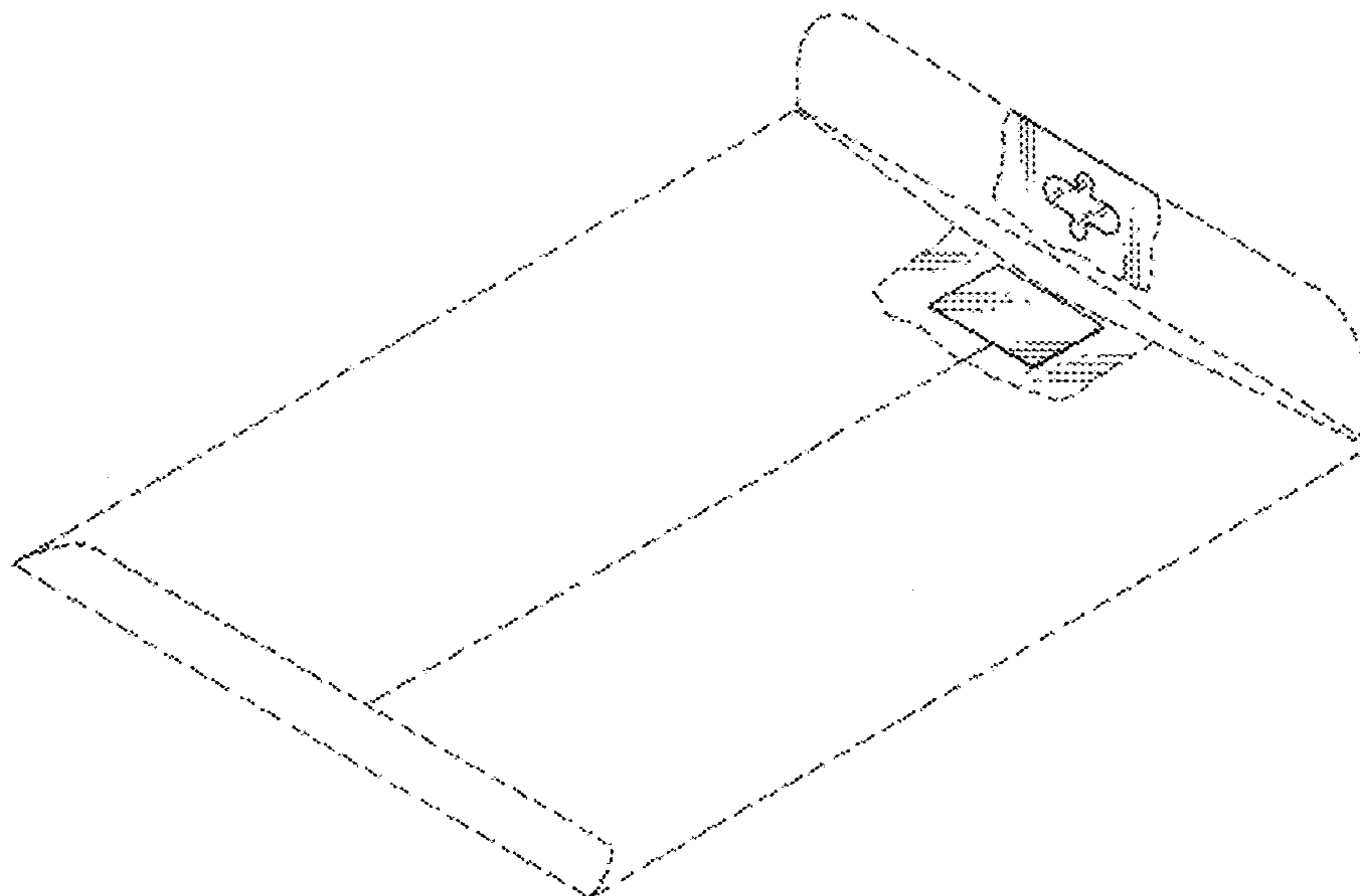
FIG. 1 is a top plan view of a clear clasp reusable envelope in accordance with the new design, showing the envelope in an opened position;

FIG. 2 is a top plan view thereof, showing the envelope in a closed position; and,

FIG. 3 is a top perspective view thereof, showing the envelope in a partially opened position.

The broken line showing in FIGS. 1-3 is included for the purpose of illustrating portions of the clear clasp reusable envelope and forms no part of the claimed design.

1 Claim, 3 Drawing Sheets



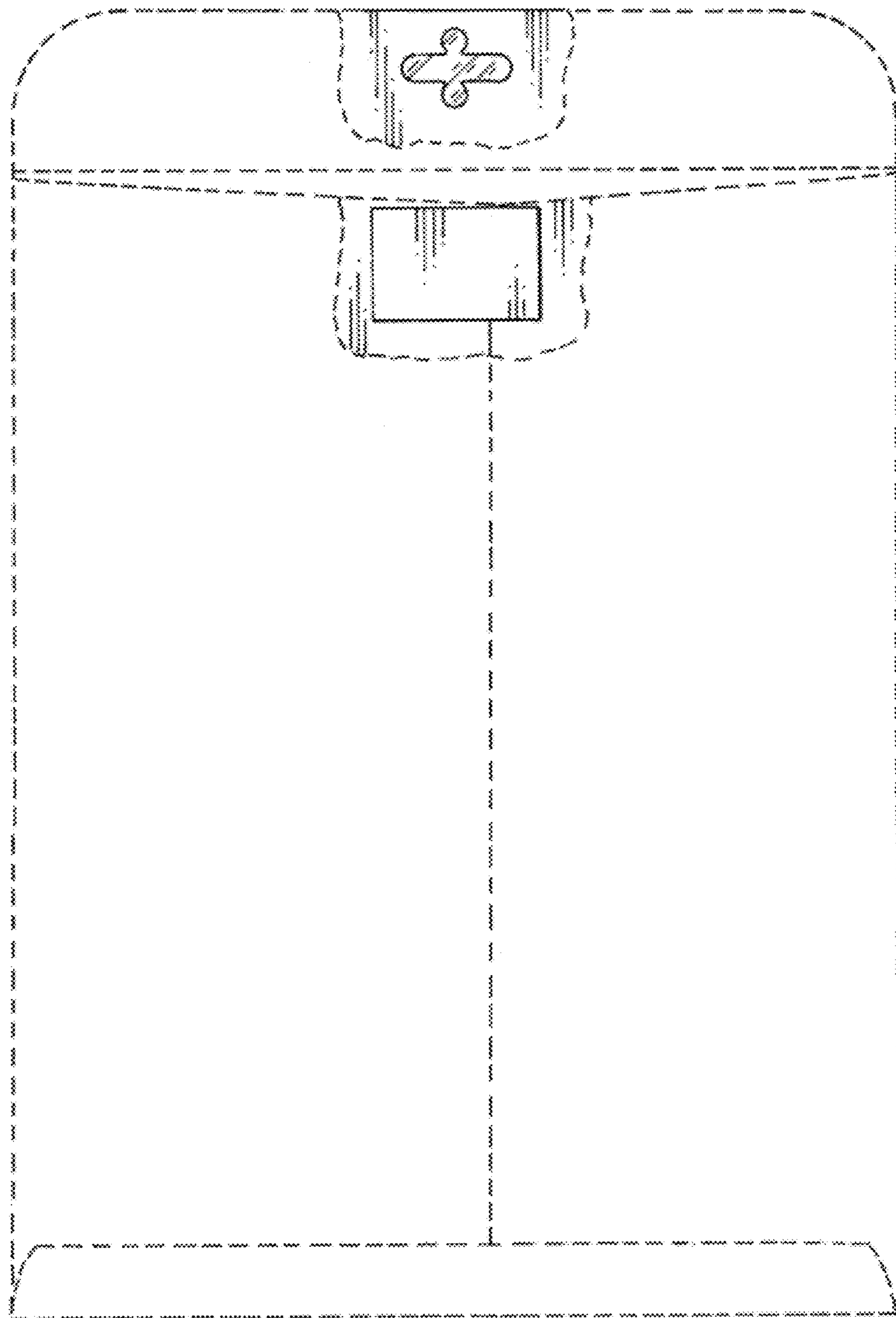


FIG. 1

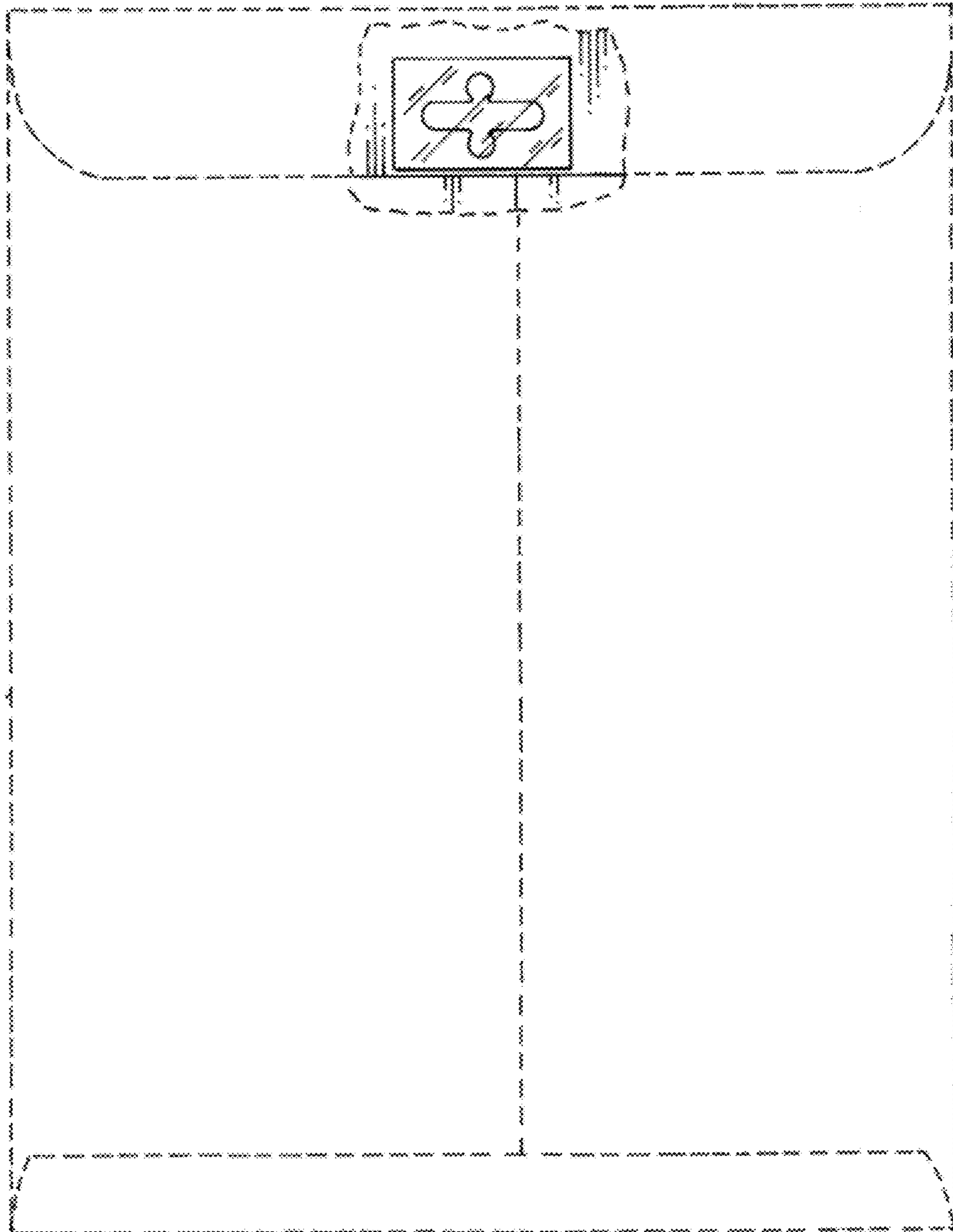


FIG. 2

