



(12) **United States Design Patent**
Lieske et al.

(10) **Patent No.:** **US D668,715 S**
(45) **Date of Patent:** **** Oct. 9, 2012**

(54) **PRINTING STENCIL**

(75) Inventors: **Rich Lieske**, Winona, MN (US); **Brian Lau**, Antioch, IL (US); **David Byrd**, Olive Branch, MS (US)

(73) Assignee: **DTG International GmbH**, Zurich (CH)

(**) Term: **14 Years**

(21) Appl. No.: **29/358,875**

(22) Filed: **Apr. 1, 2010**

(51) **LOC (9) Cl.** **18-02**

(52) **U.S. Cl.** **D18/56**

(58) **Field of Classification Search** D18/56,
D18/53, 14; 101/35, 123, 126, 127.1, 129;
83/162; 38/102.91, 102.1; 206/292, 297;
223/71

See application file for complete search history.

(56) **References Cited**

U.S. PATENT DOCUMENTS

2,557,352 A * 6/1951 Kanitz 430/308
(Continued)

Primary Examiner — T. Chase Nelson

Assistant Examiner — Michelle E Wilson

(74) *Attorney, Agent, or Firm* — Renner, Otto, Boisselle & Sklar, LLP

(57) **CLAIM**

The ornamental design for a printing stencil, as shown and described.

DESCRIPTION

FIG. 1 is a perspective view of a printing stencil in accordance with a first embodiment of the present invention; FIG. 2 illustrates a top view of the printing stencil of FIG. 1; FIG. 3 illustrates a bottom view of the printing stencil of FIG. 1;

FIG. 4 illustrates a front elevational view of the printing stencil of FIG. 1, the rear and left and right side views being the same;

FIG. 5 illustrates in enlarged scale an elevational view along one of the edge sections of the printing stencil of FIG. 1;

FIG. 6 is a perspective view of a printing stencil in accordance with a second embodiment of the present invention;

FIG. 7 illustrates a top view of the printing stencil of FIG. 6; FIG. 8 illustrates a bottom view of the printing stencil of FIG. 6;

FIG. 9 illustrates a front elevational view of the printing stencil of FIG. 6, the rear and left and right side views being the same;

FIG. 10 illustrates in enlarged scale an elevational view along one of the edge sections of the printing stencil of FIG. 6;

FIG. 11 is a perspective view of a printing stencil in accordance with a third embodiment of the present invention;

FIG. 12 illustrates a top view of the printing stencil of FIG. 11; FIG. 13 illustrates a bottom view of the printing stencil of FIG. 11;

FIG. 14 illustrates a front elevational view of the printing stencil of FIG. 11, the rear and left and right side views being the same;

FIG. 15 illustrates in enlarged scale an elevational view along one of the edge sections of the printing stencil of FIG. 11;

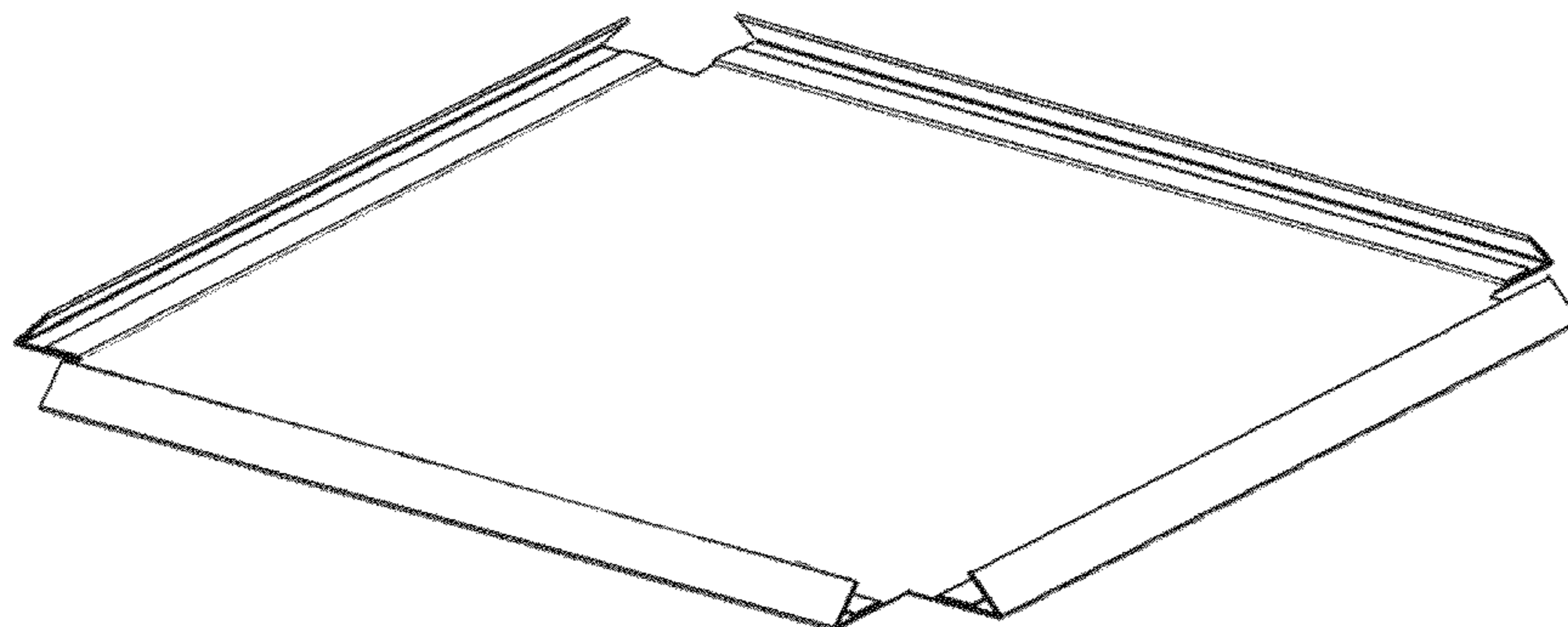
FIG. 16 is a perspective view of a printing stencil in accordance with a fourth embodiment of the present invention;

FIG. 17 illustrates a top view of the printing stencil of FIG. 16; FIG. 18 illustrates a bottom view of the printing stencil of FIG. 16;

FIG. 19 illustrates a front elevational view of the printing stencil of FIG. 16, the rear and left and right side views being the same; and,

FIG. 20 illustrates in enlarged scale an elevational view along one of the edge sections of the printing stencil of FIG. 16.

1 Claim, 20 Drawing Sheets



US D668,715 S

Page 2

U.S. PATENT DOCUMENTS

2,780,167	A *	2/1957	Conley	101/128.21	D436,368	S *	1/2001	Hoffman et al.	D18/14
3,168,036	A *	2/1965	Elsasser	101/129	D480,753	S *	10/2003	Oleson	D18/56
3,303,777	A *	2/1967	Feier et al.	101/127.1	6,910,419	B2 *	6/2005	Oleson	101/474
D231,574	S *	4/1974	Landesman	D18/50	D528,158	S *	9/2006	Watarai	D18/56
D252,814	S *	9/1979	Rands	D18/14	D531,209	S *	10/2006	Nakamura et al.	D18/56
4,967,988	A *	11/1990	Nguyen	248/150	7,911,774	B2 *	3/2011	Nakanishi et al.	361/679.21
5,347,925	A *	9/1994	Holderegger	101/127	8,109,667	B2 *	2/2012	Wang et al.	362/633
5,606,911	A *	3/1997	Cane	101/127	2009/0103001	A1 *	4/2009	Choi	349/58
5,655,445	A *	8/1997	Brockner et al.	101/127	2009/0168318	A1 *	7/2009	Moon et al.	361/679.21
6,038,971	A *	3/2000	Fischer	101/129					

* cited by examiner

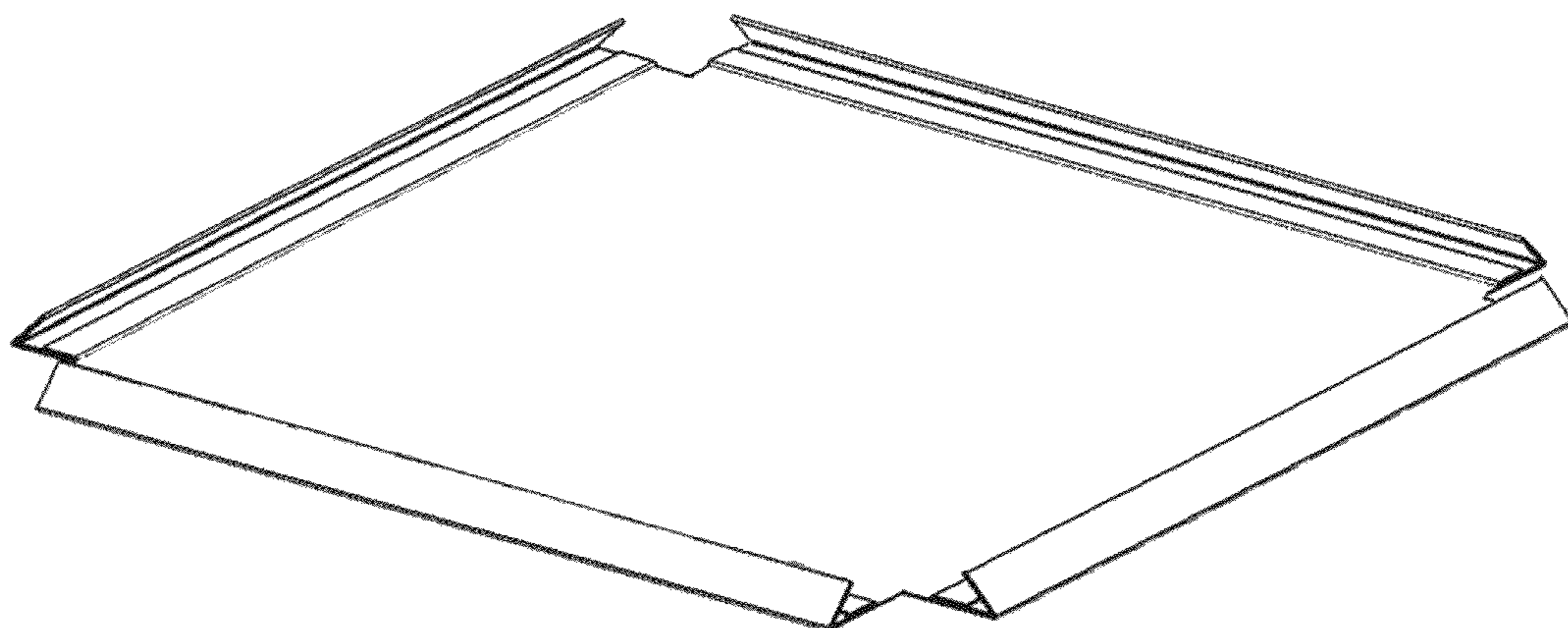


Fig. 1

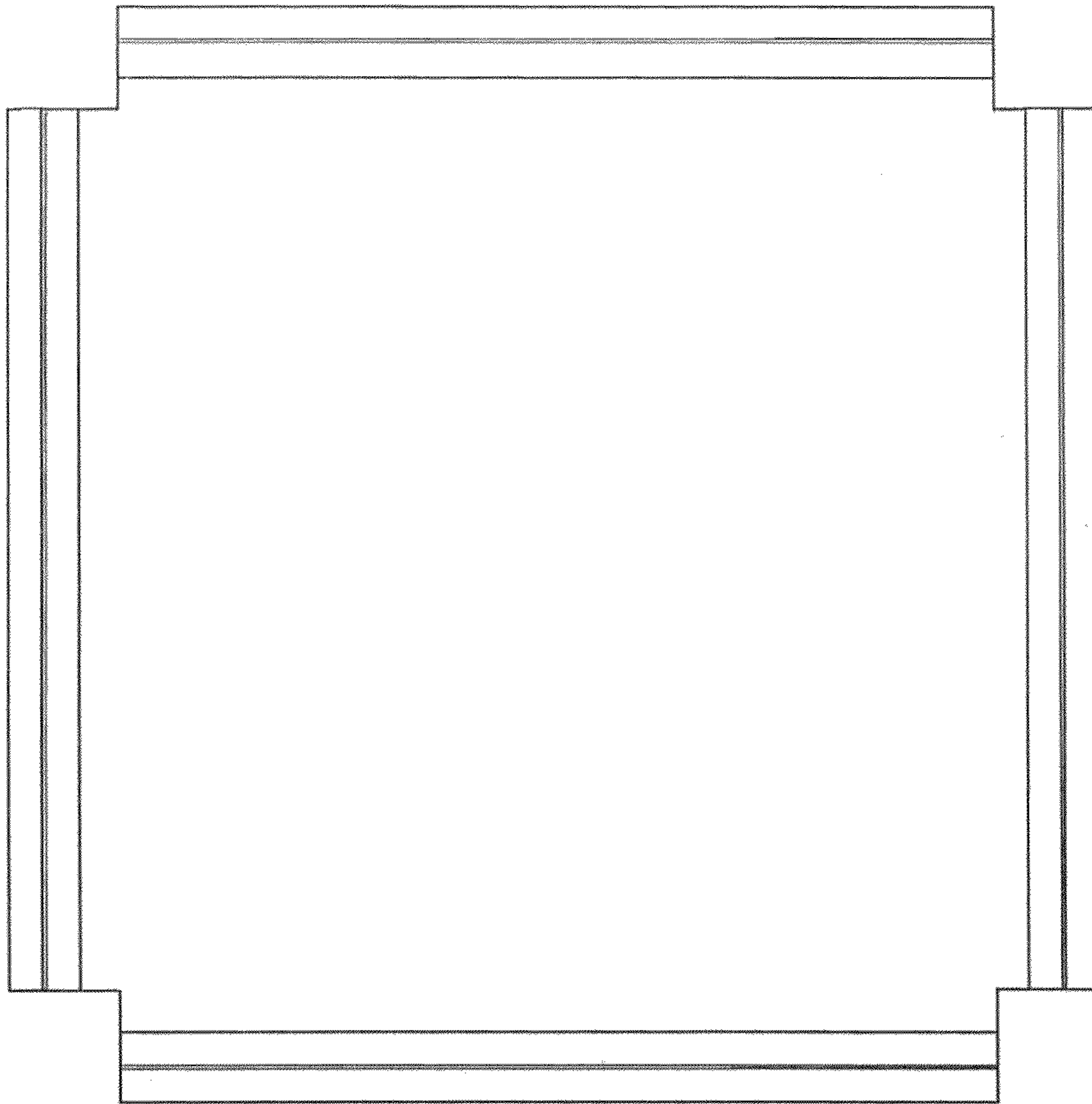


Fig. 2

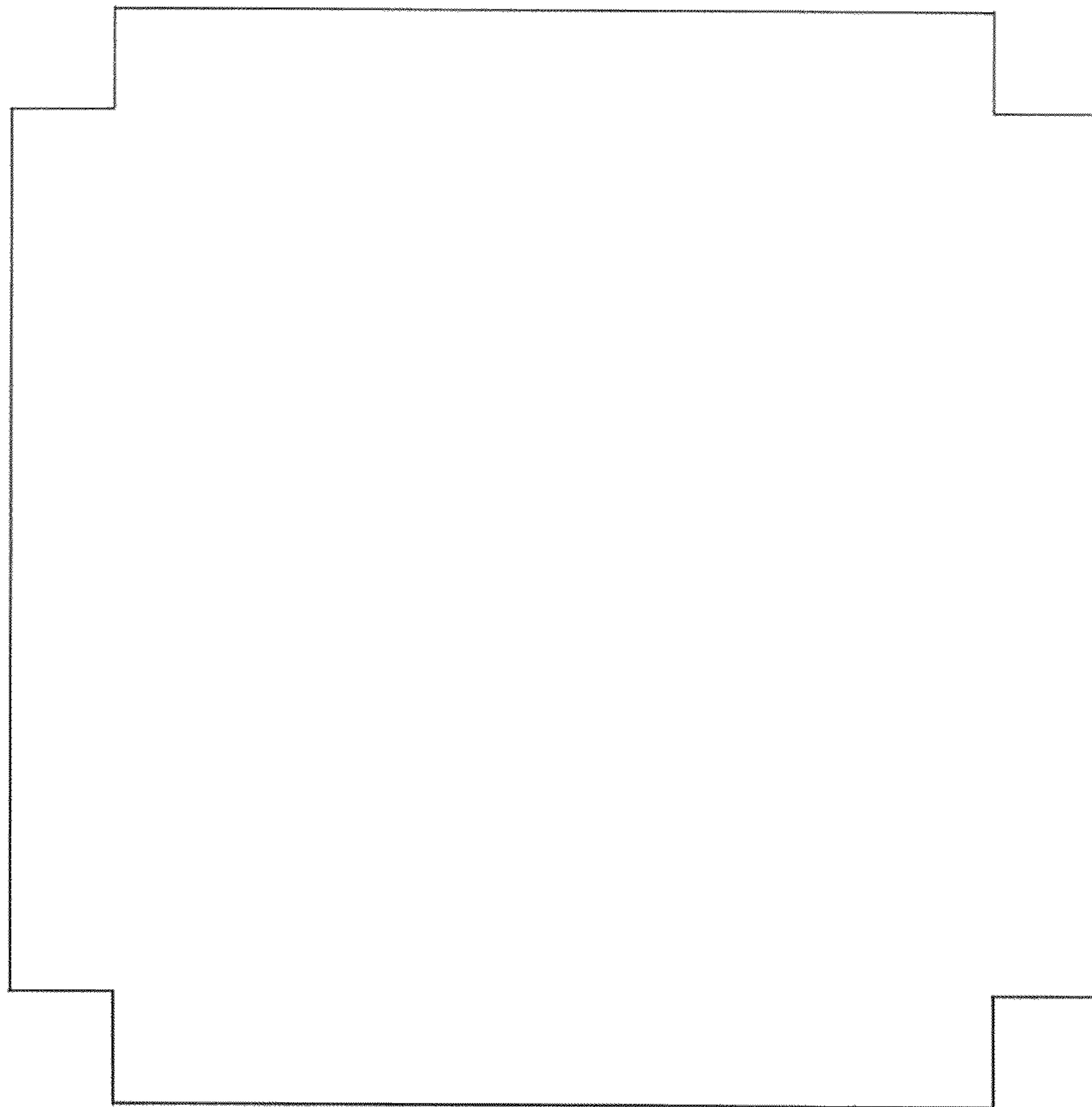


Fig. 3



Fig. 4

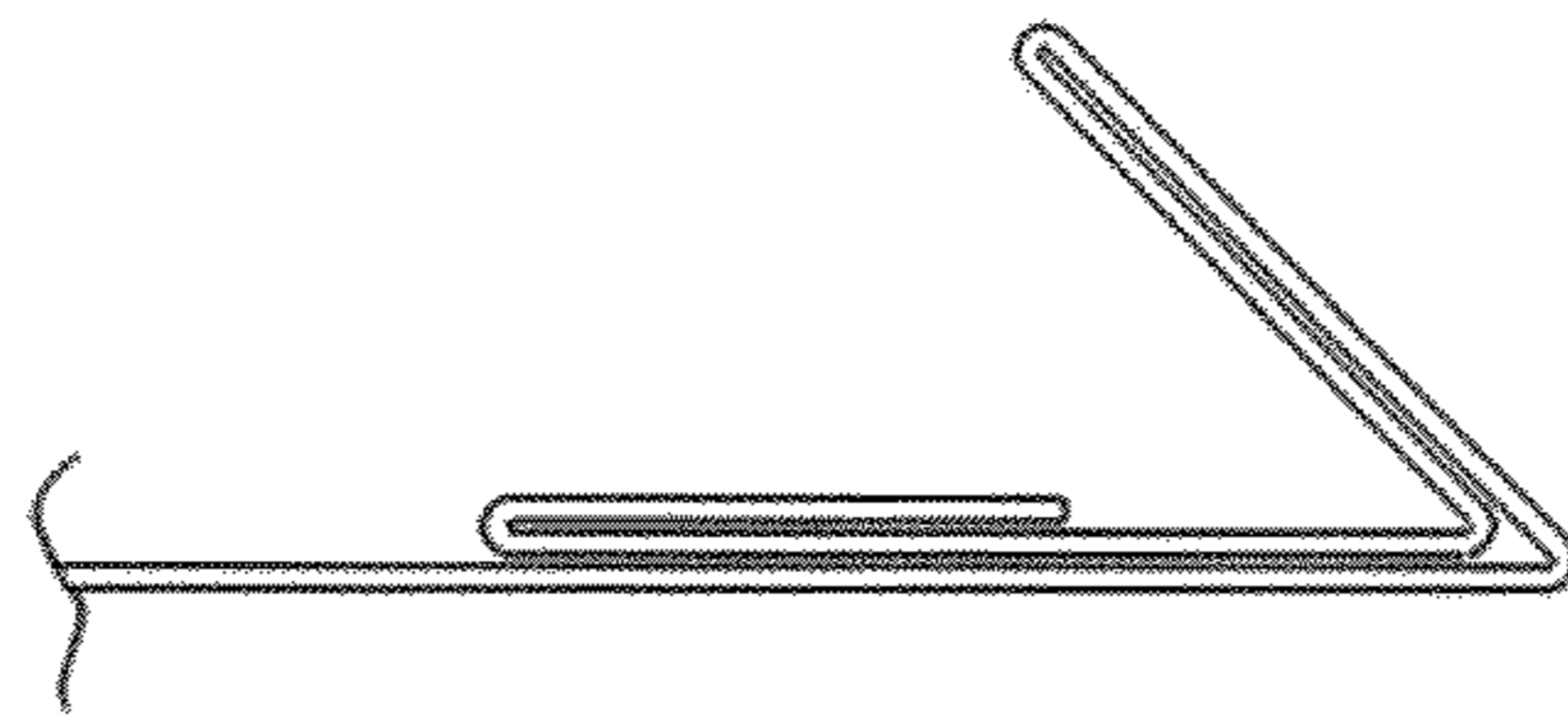


Fig. 5

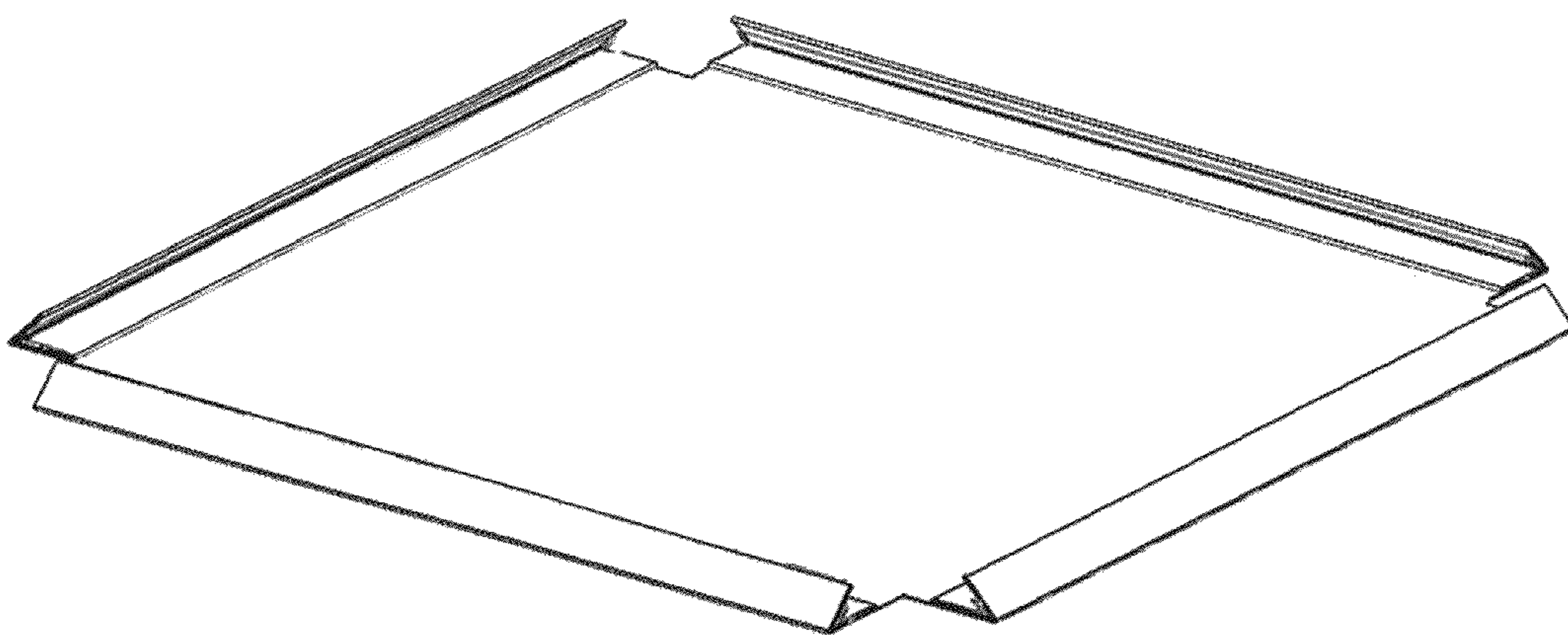


Fig. 6

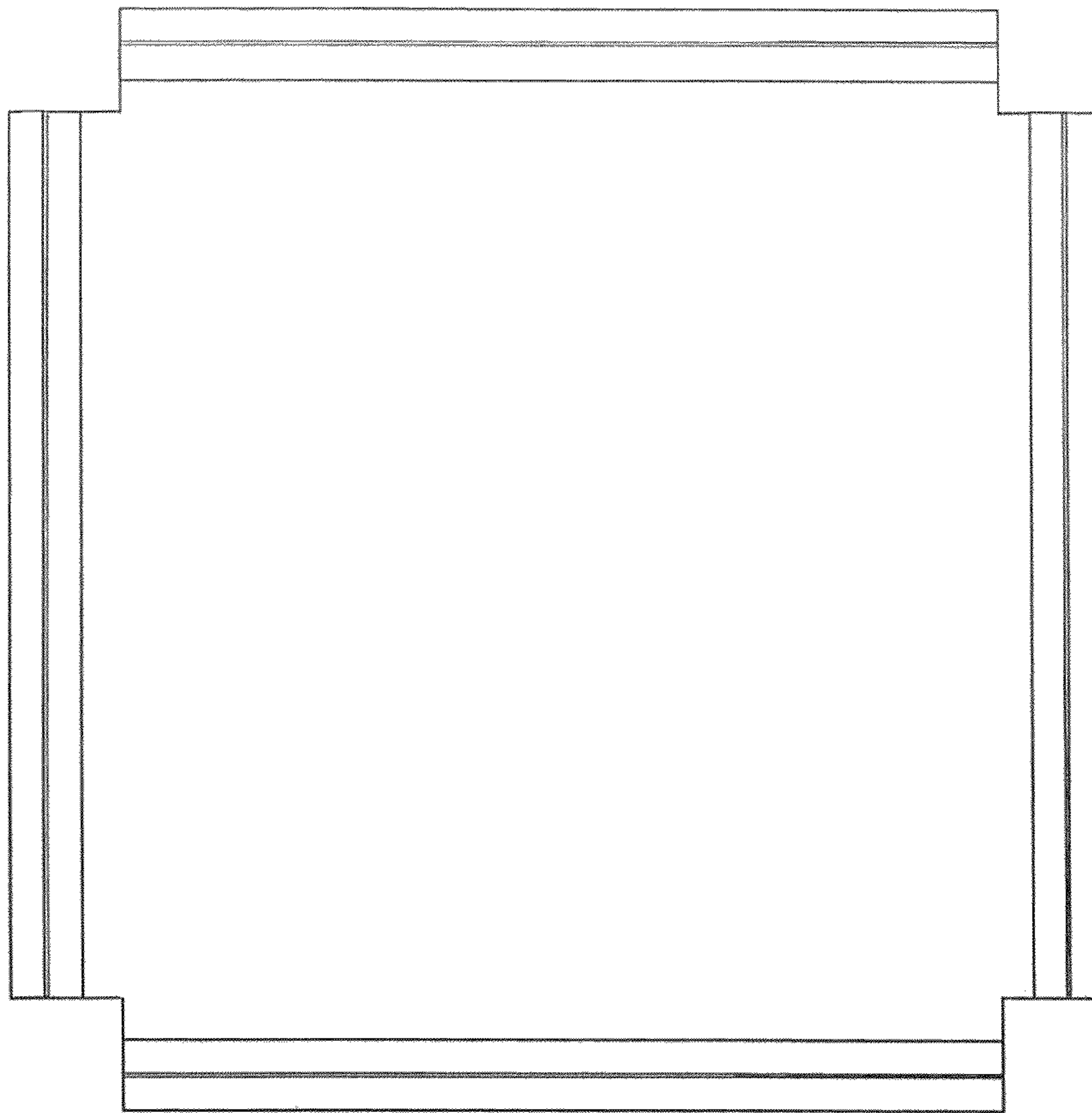


Fig. 7

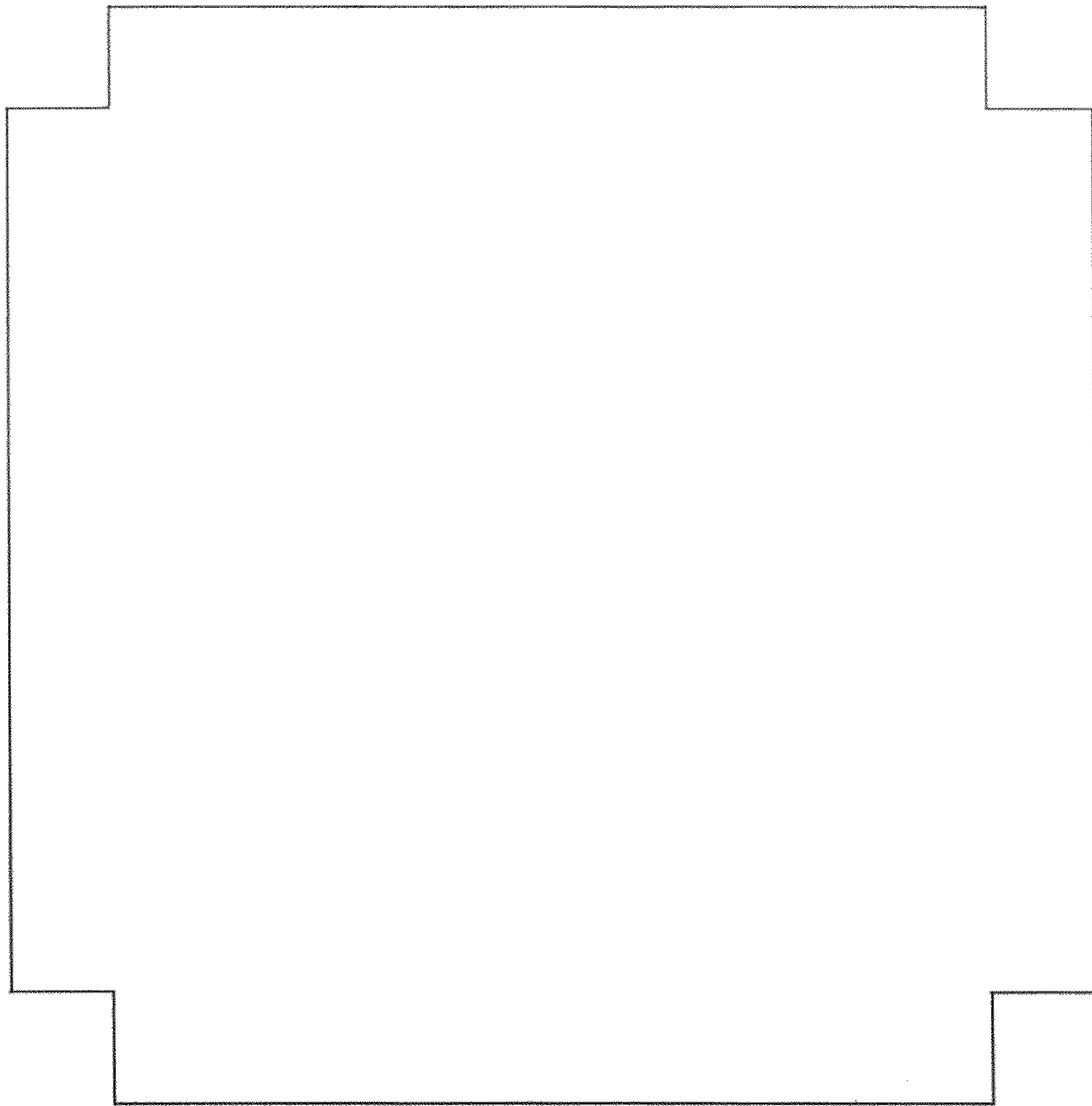


Fig. 8



Fig. 9

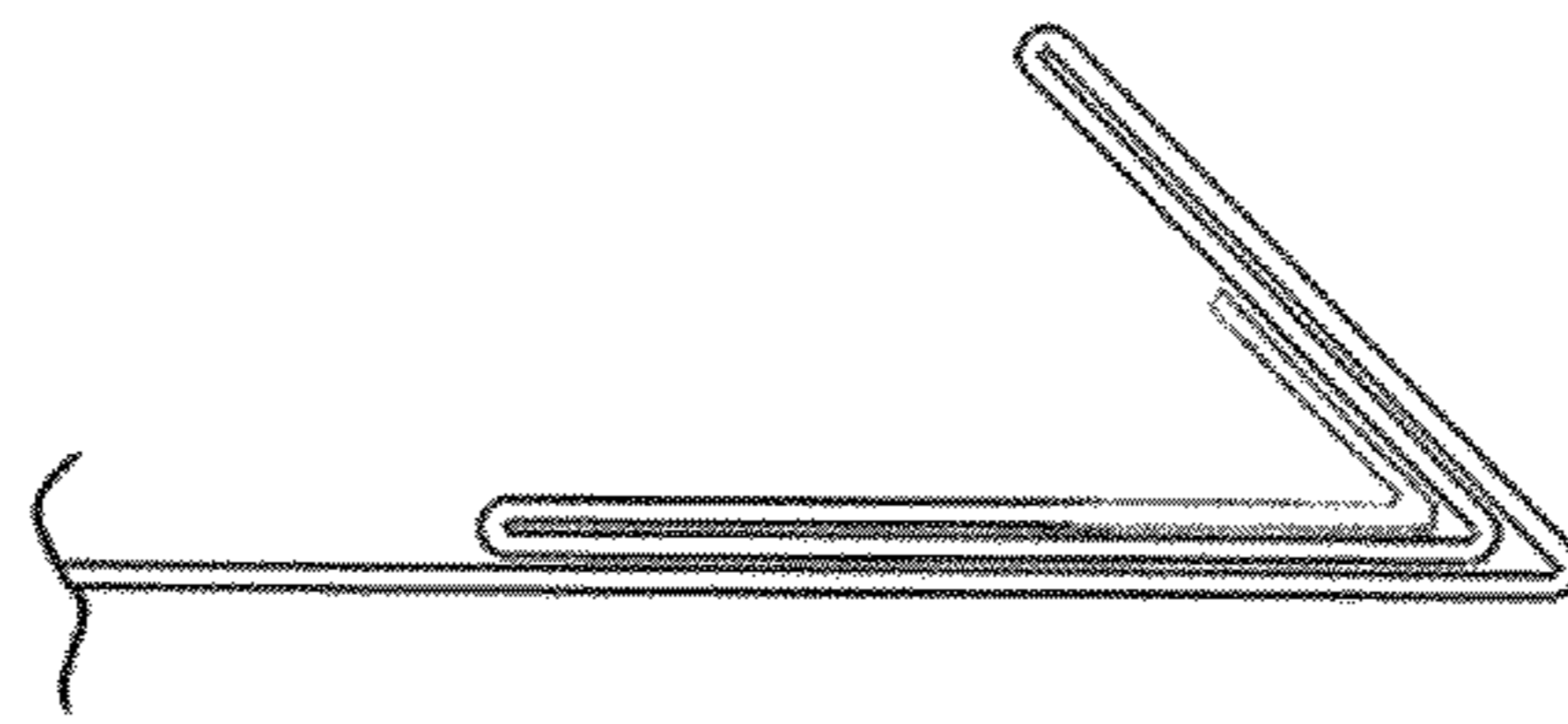


Fig. 10

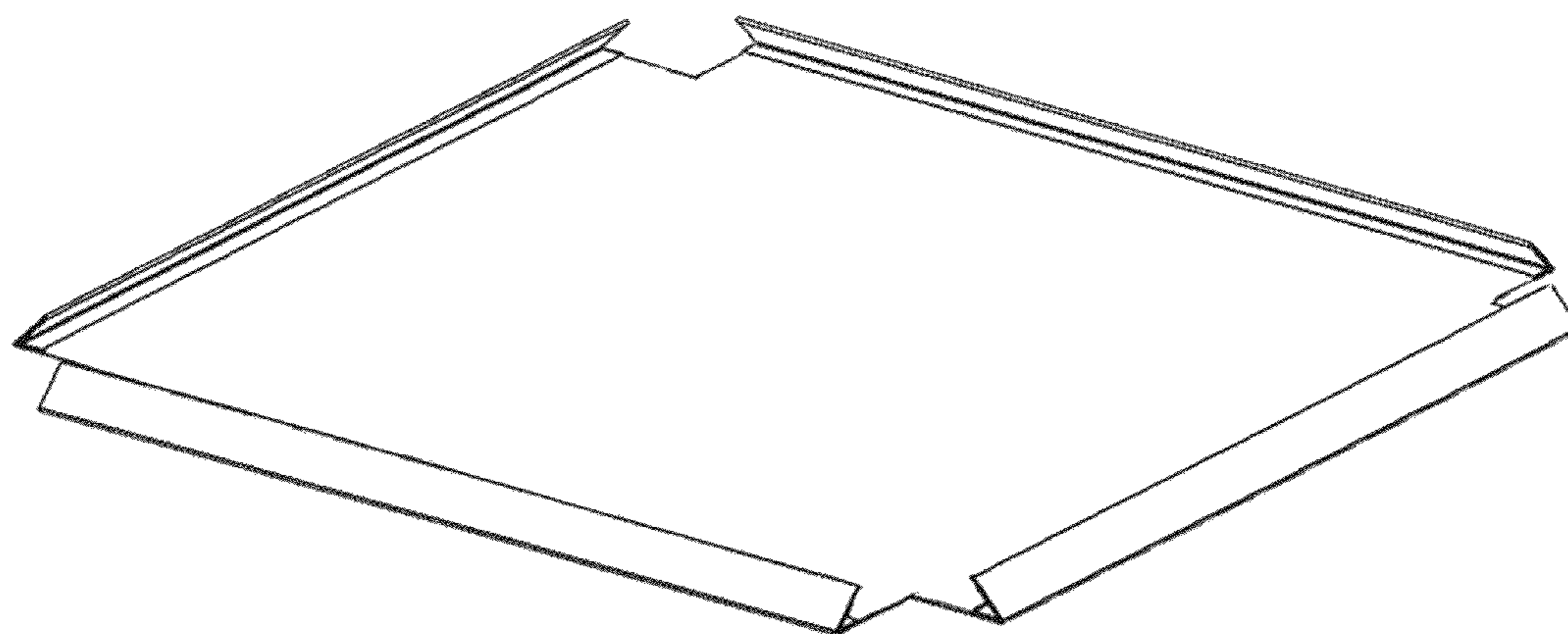


Fig. 11

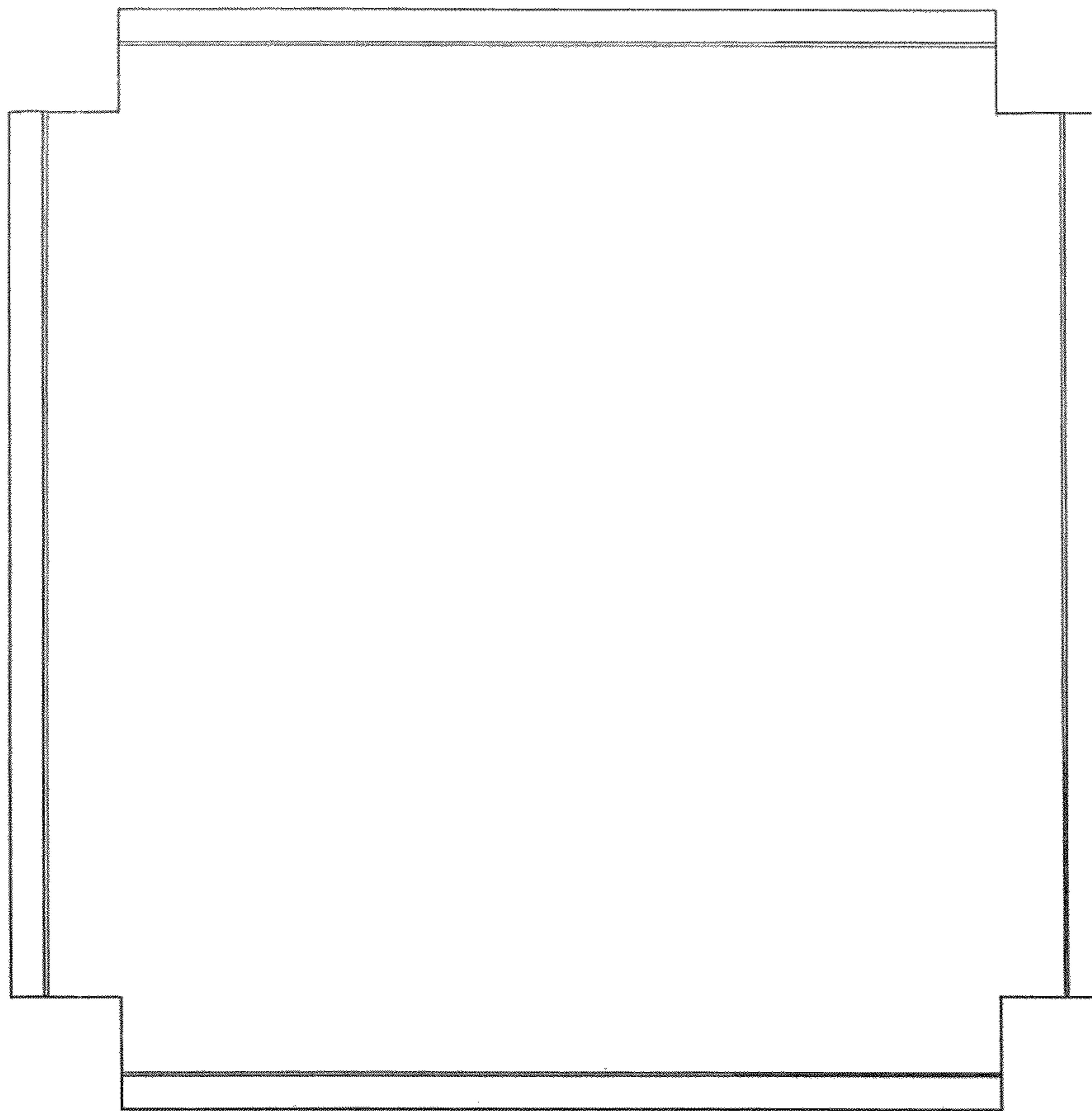


Fig. 12

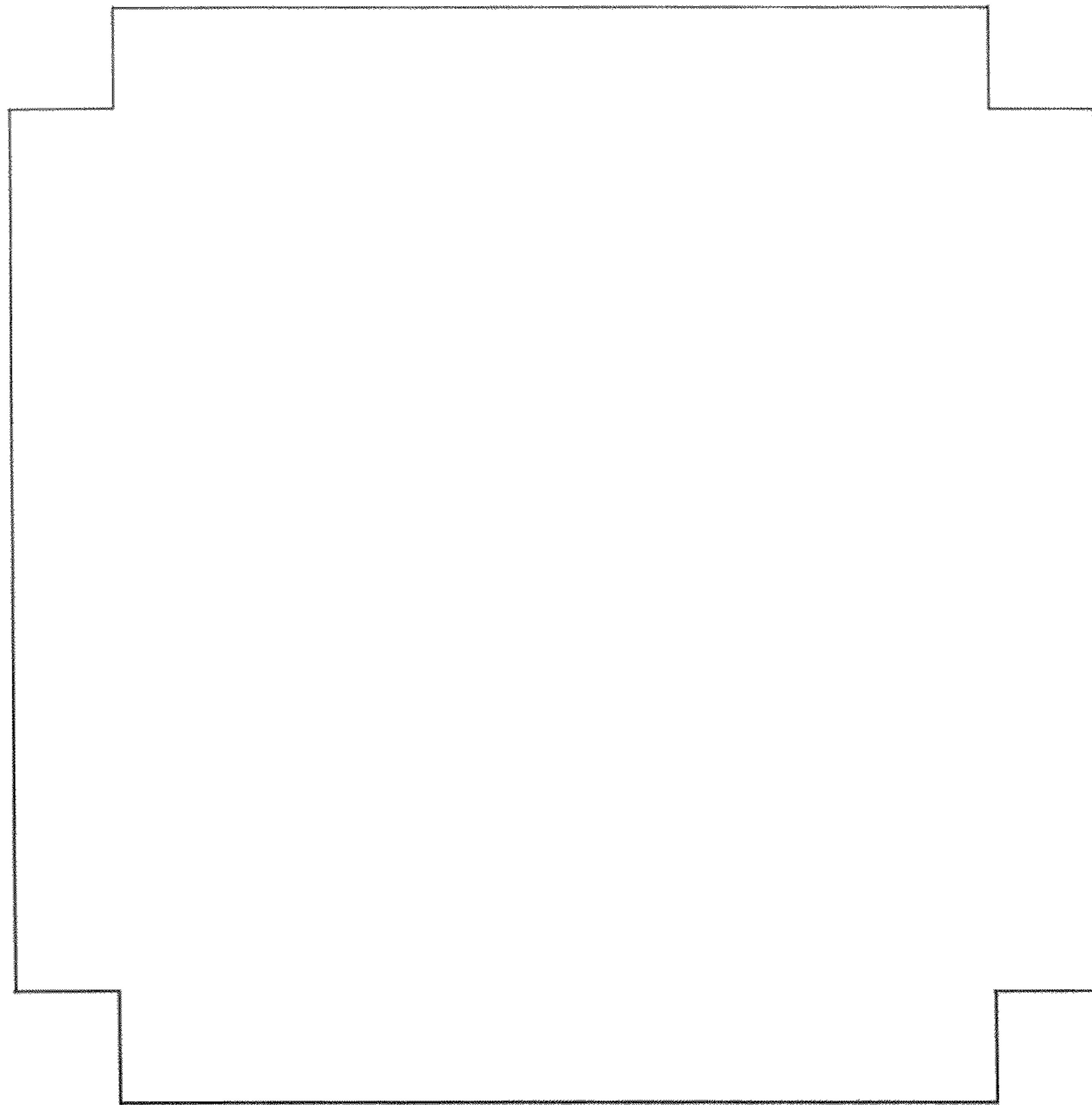


Fig. 13



Fig. 14

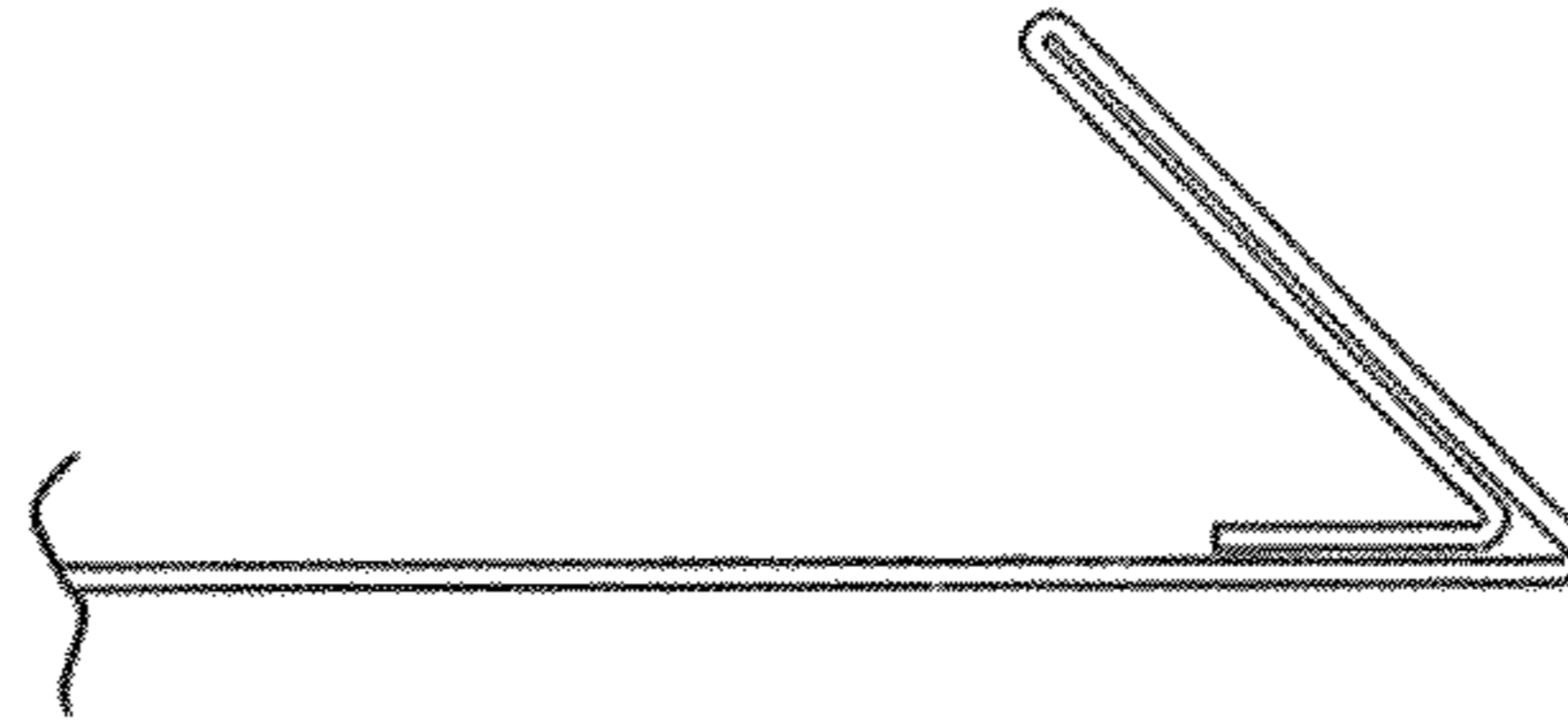


Fig. 15

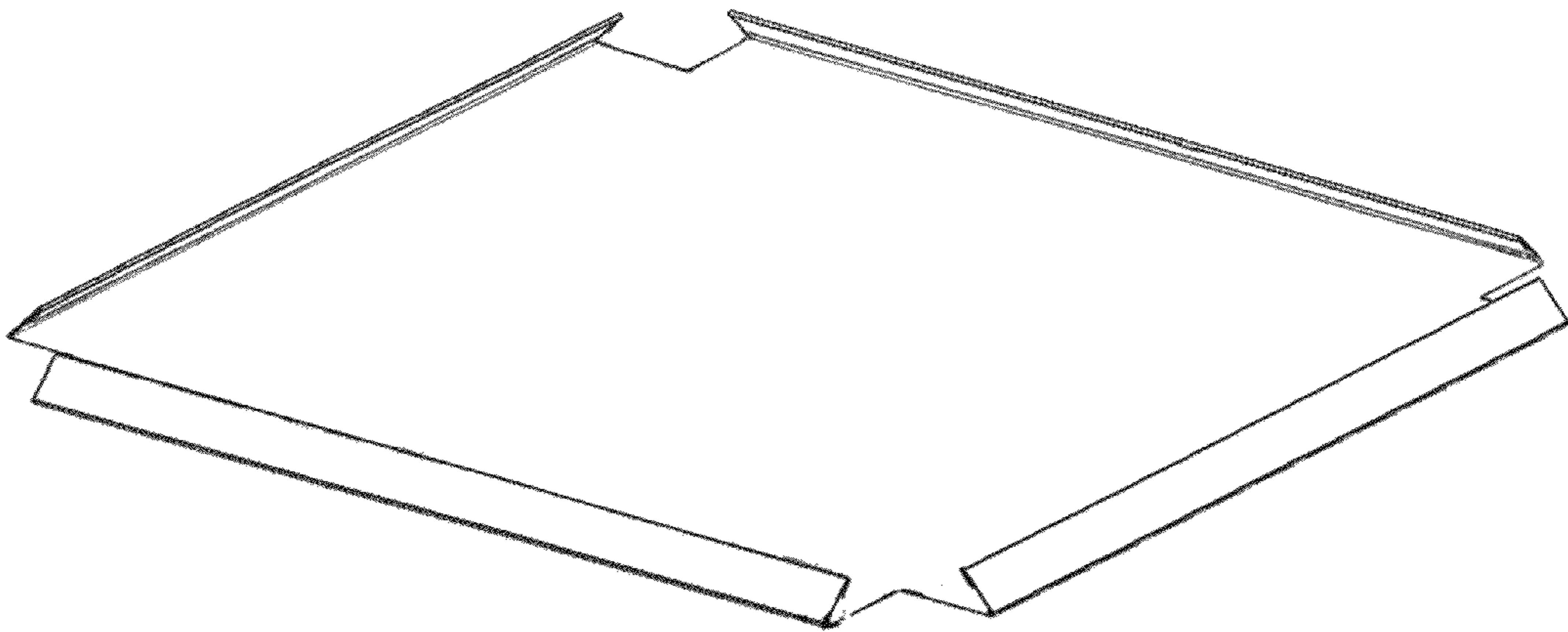


Fig. 16

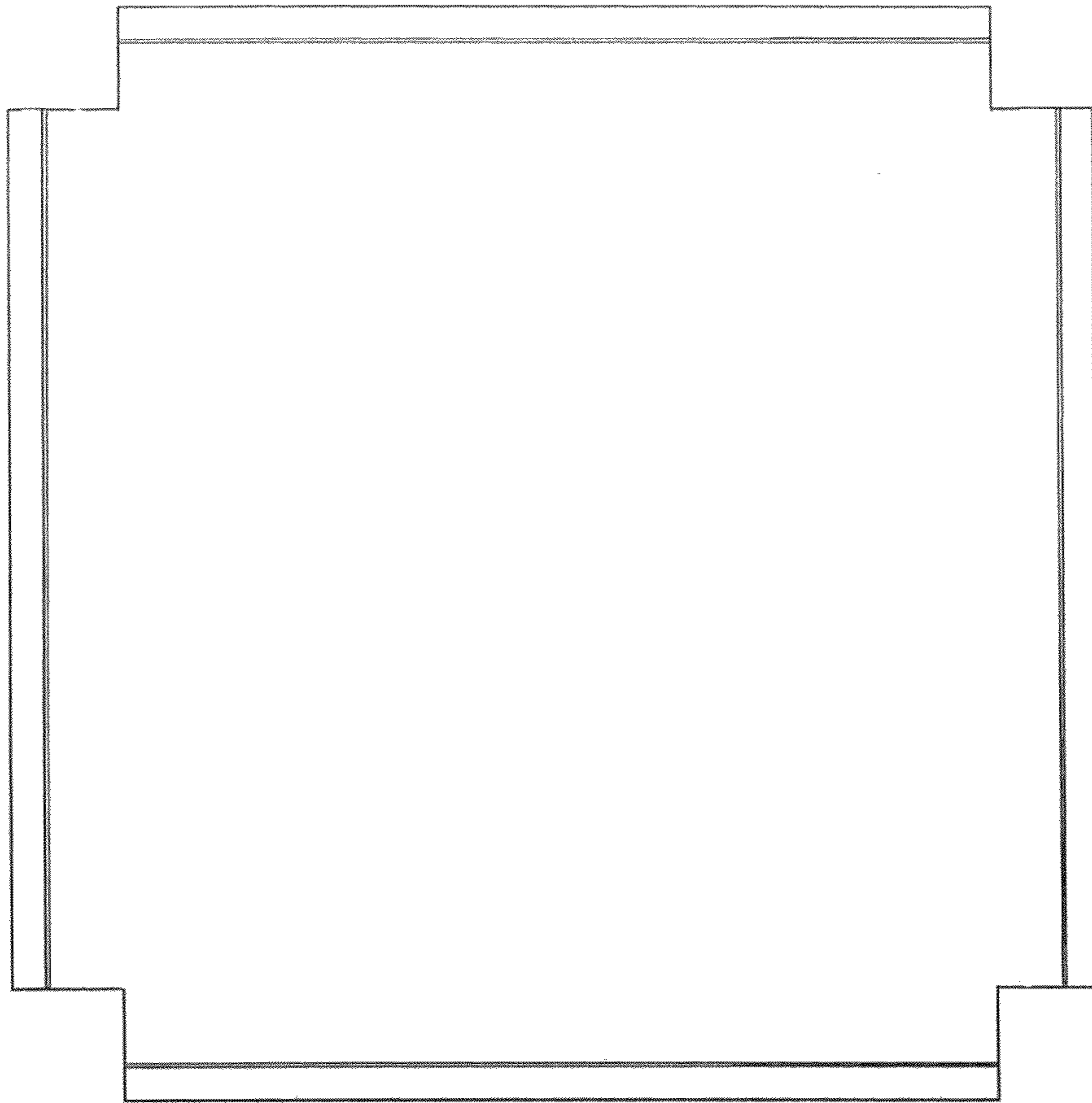


Fig. 17

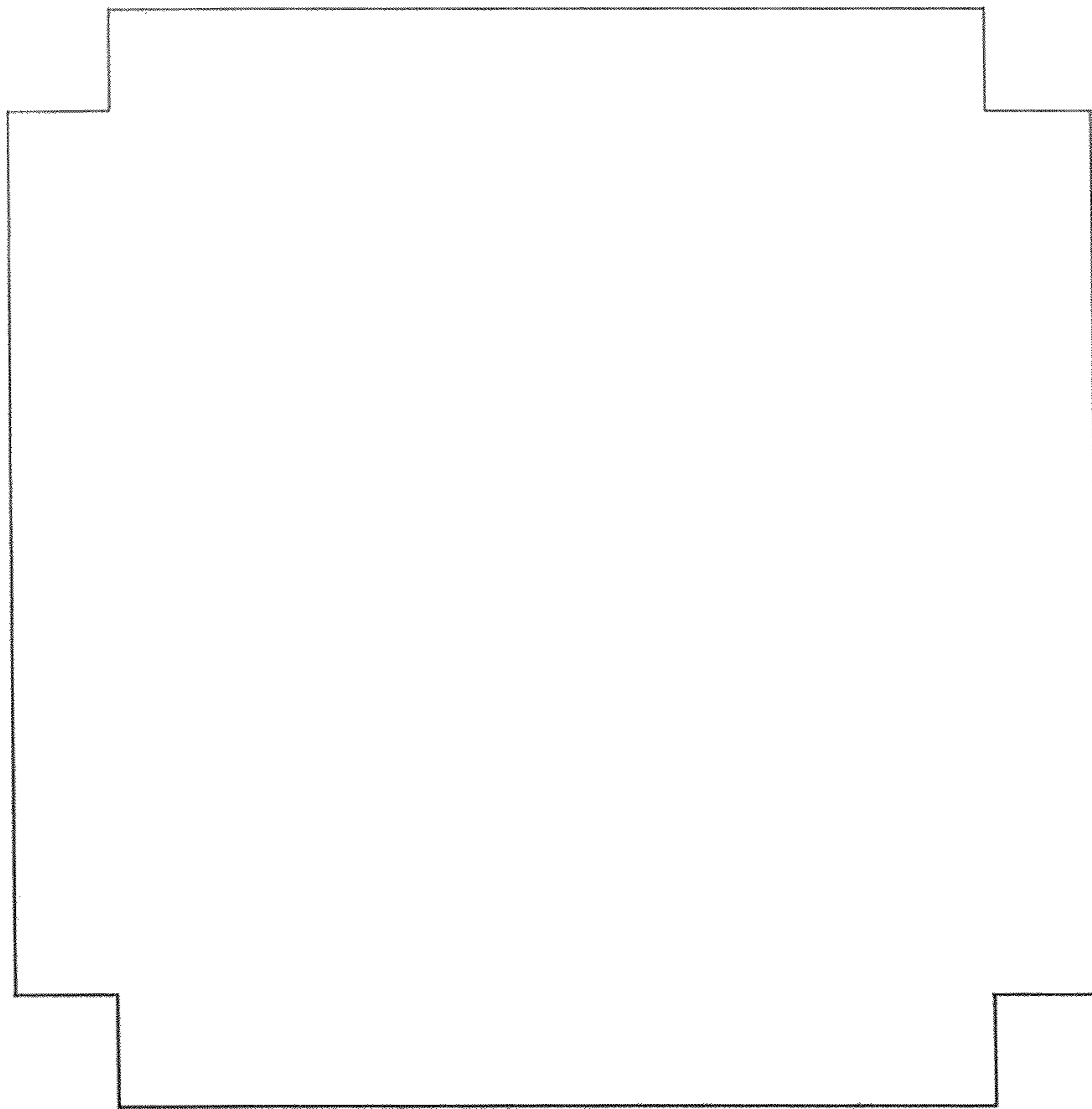


Fig. 18



Fig. 19

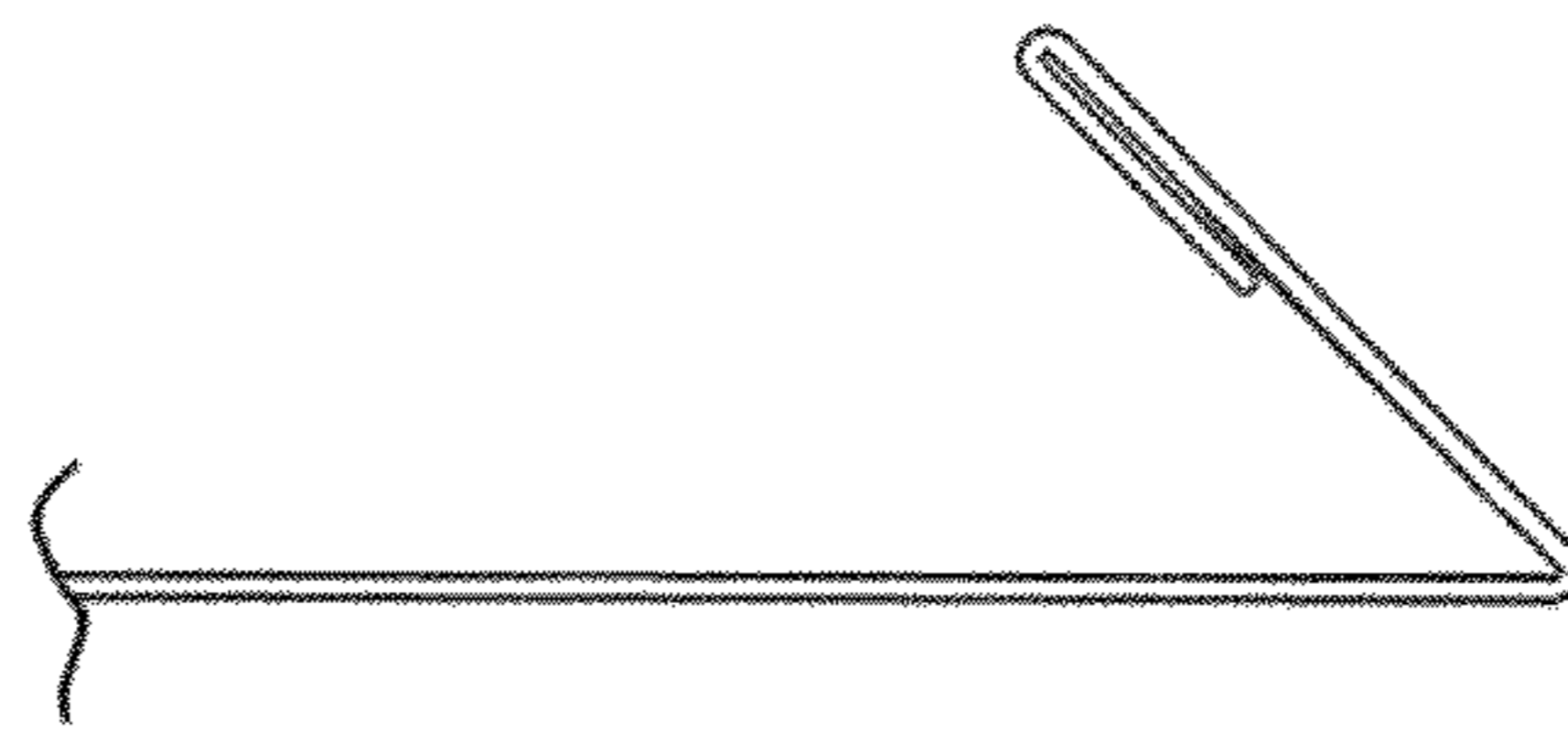


Fig. 20