



US00D668714S

(12) **United States Design Patent**
Zindl et al.

(10) **Patent No.:** **US D668,714 S**

(45) **Date of Patent:** **** Oct. 9, 2012**

(54) **STAMP PAD HOLDER**

(75) Inventors: **Peter Zindl**, Marchtrenk (AT); **Markus Zehetner**, Linz (AT); **Volker Martin**, Linz (AT)

(73) Assignee: **Trodat GmbH** (AT)

(**) Term: **14 Years**

(21) Appl. No.: **29/375,230**

(22) Filed: **Sep. 20, 2010**

(30) **Foreign Application Priority Data**

Mar. 19, 2010 (EM) 001202998-0004
Mar. 19, 2010 (EM) 001202998-0008

(51) **LOC (9) Cl.** **19-02**

(52) **U.S. Cl.** **D18/18; D18/17**

(58) **Field of Classification Search** D18/15-21,
D18/50, 51, 36; 400/88; 118/264, 268, 31.5;
101/333, 334, 327, 328, 405, 406, 287, 104,
101/379; 347/109; 358/1.18

See application file for complete search history.

(56) **References Cited**

U.S. PATENT DOCUMENTS

5,152,223	A *	10/1992	Mairon	101/334
D375,117	S *	10/1996	Keohan	D18/17
D378,765	S *	4/1997	Johannsen	D19/69
5,623,875	A *	4/1997	Perets	101/334
5,649,485	A *	7/1997	Dour et al.	101/334
D389,175	S *	1/1998	Imamaki	D18/18
6,725,802	B1 *	4/2004	Carrington et al.	118/31.5
6,761,114	B2 *	7/2004	Koneczny et al.	101/333
6,796,230	B2	9/2004	Pichler et al.	
6,813,999	B2 *	11/2004	Tremel	101/104
6,877,426	B1 *	4/2005	Huang	101/334
6,892,637	B2 *	5/2005	Petersen	101/333
6,945,172	B1 *	9/2005	Shih	101/333

7,069,852	B2 *	7/2006	Zindl et al.	101/334
7,086,331	B2 *	8/2006	Moody	101/334
D538,840	S *	3/2007	Shih	D18/15
7,380,497	B2 *	6/2008	Faber	101/334
8,104,402	B2 *	1/2012	Feilecker et al.	101/327
2007/0272099	A1 *	11/2007	Pointl	101/104
2009/0101032	A1 *	4/2009	Slane et al.	101/333
2010/0031835	A1 *	2/2010	Faber	101/333
2011/0192299	A1 *	8/2011	Anthony	101/333
2011/0277647	A1 *	11/2011	Zindl et al.	101/334

* cited by examiner

Primary Examiner — Jeffrey D Asch

(74) *Attorney, Agent, or Firm* — Lerner, David, Littenberg, Krumholz & Mentlik, LLP

(57) **CLAIM**

The ornamental design for stamp pad holder, as shown and described.

DESCRIPTION

FIG. 1 is a front perspective view of a first embodiment of our design for the stamp pad holder;

FIG. 2 is a front elevational view of the embodiment of FIG. 1;

FIG. 3 is a rear elevational view of the embodiment of FIG. 1;

FIG. 4 is a left side view of the embodiment of FIG. 1 (the right side being a mirror image of the left side view);

FIG. 5 is a top plan view of the embodiment of FIG. 1;

FIG. 6 is a bottom plan view of the embodiment of FIG. 1;

FIG. 7 is a front perspective view of a second embodiment of our design for the stamp pad holder; and,

FIG. 8 is a left side view of the embodiment of FIG. 7 (the right side being a mirror image of the left side view).

The front elevational and rear elevational top plan and bottom plan views of this second embodiment are the same as the corresponding views of the first embodiment, shown in FIGS. 2, 3, 5 and 6, respectively.

1 Claim, 4 Drawing Sheets

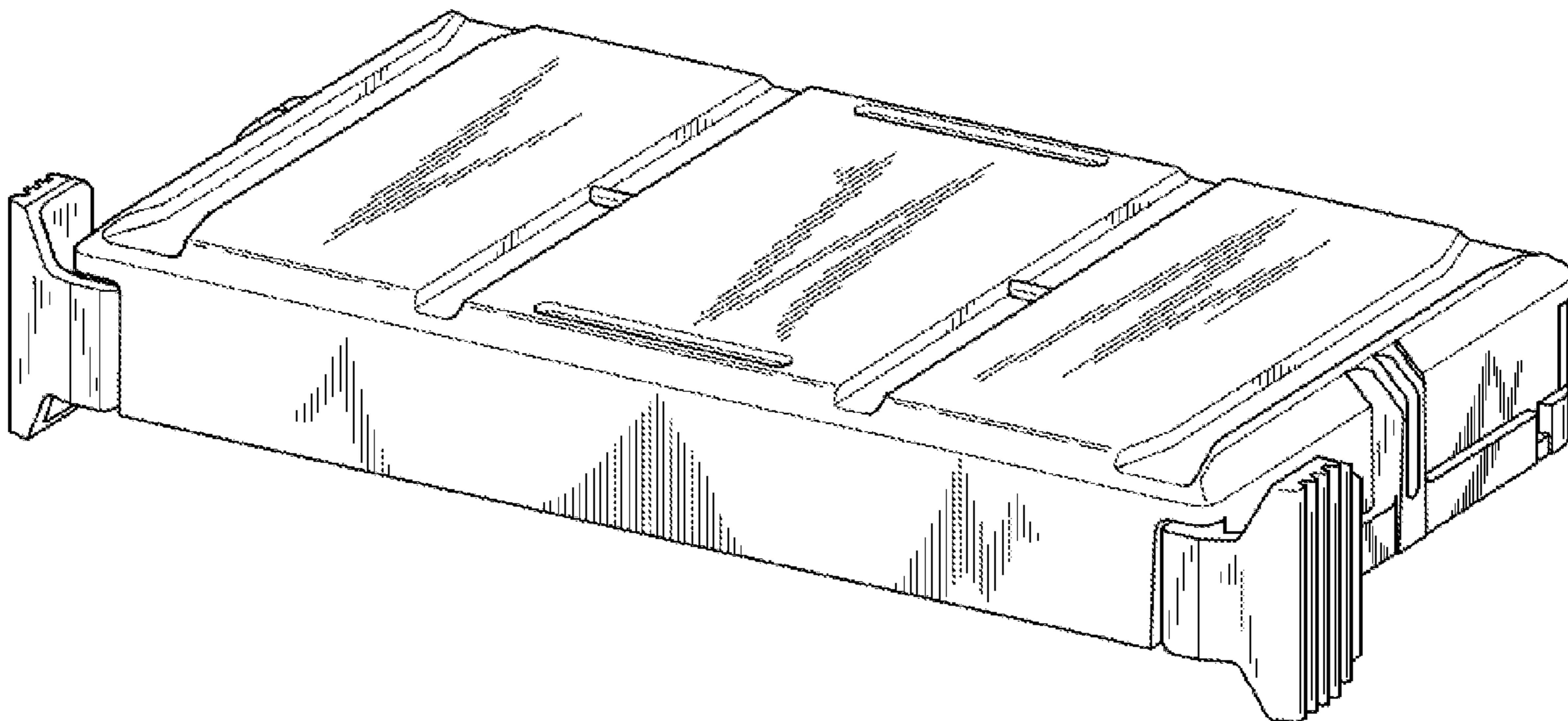


FIG. 1

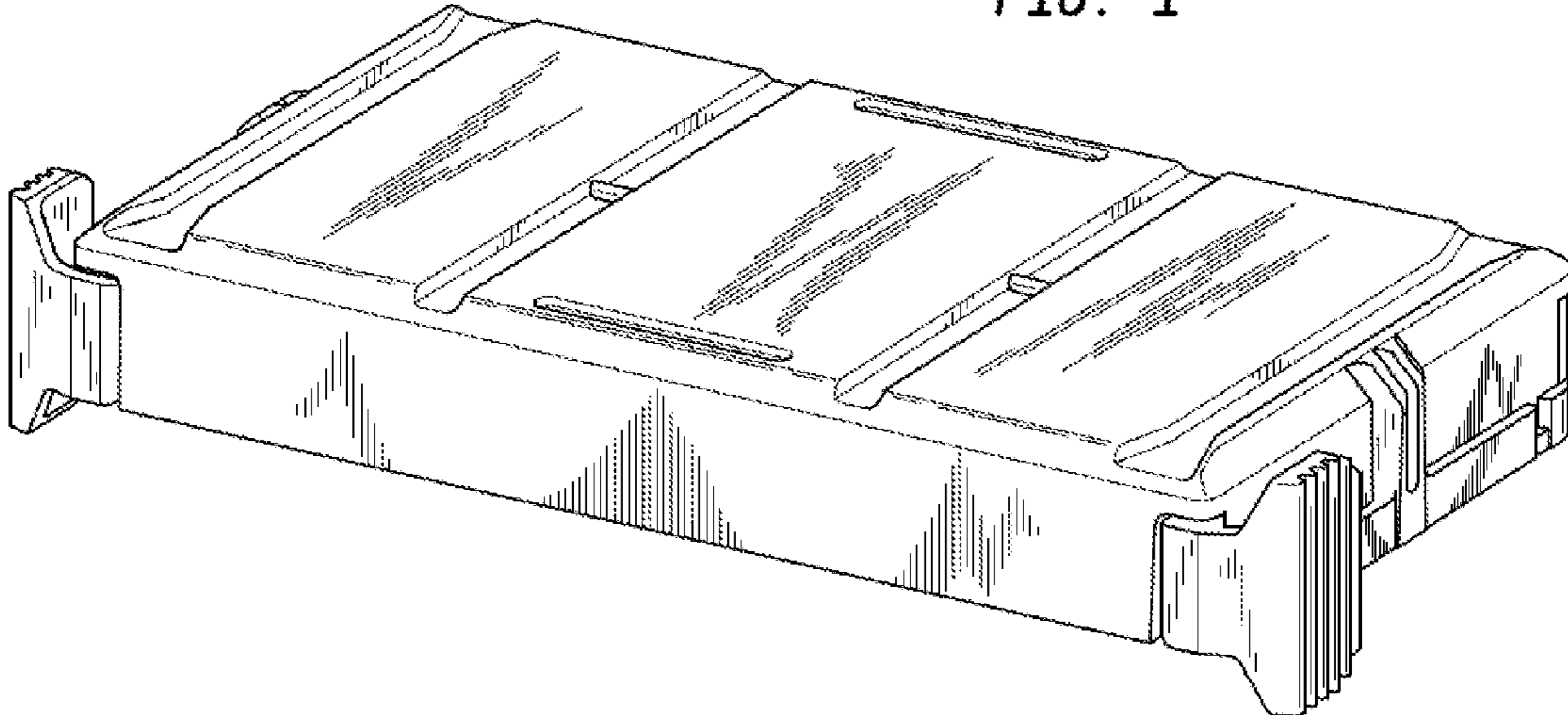


FIG. 2

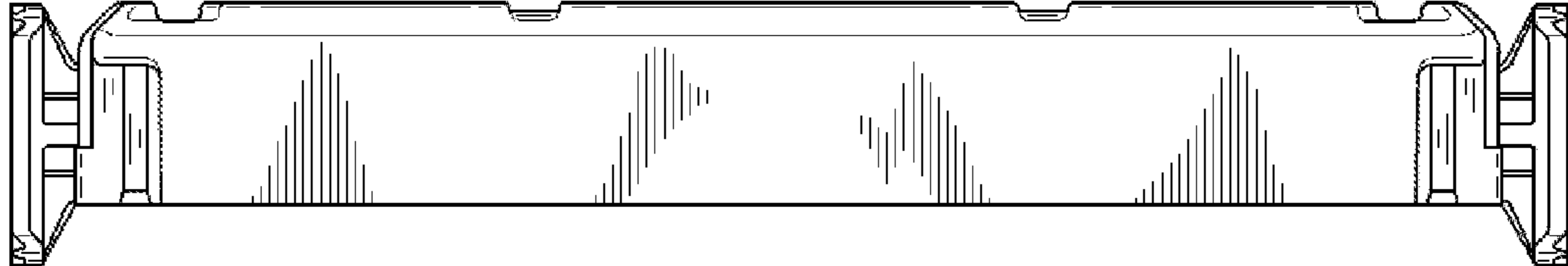


FIG. 3

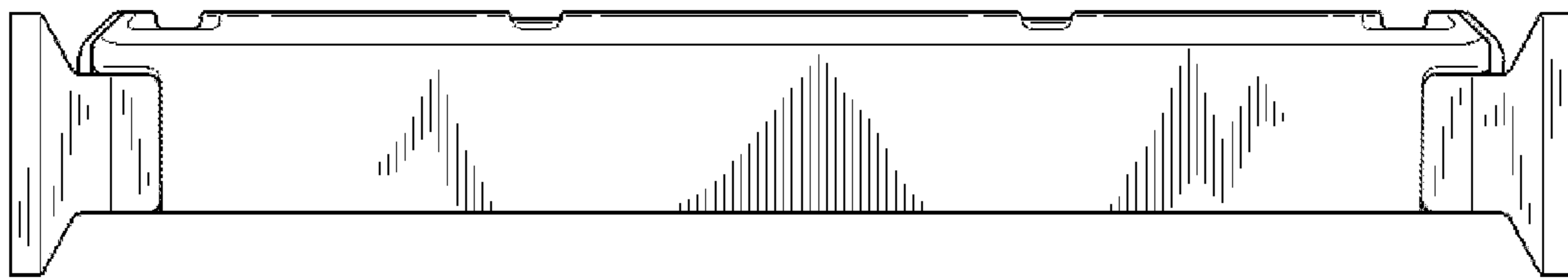


FIG. 4

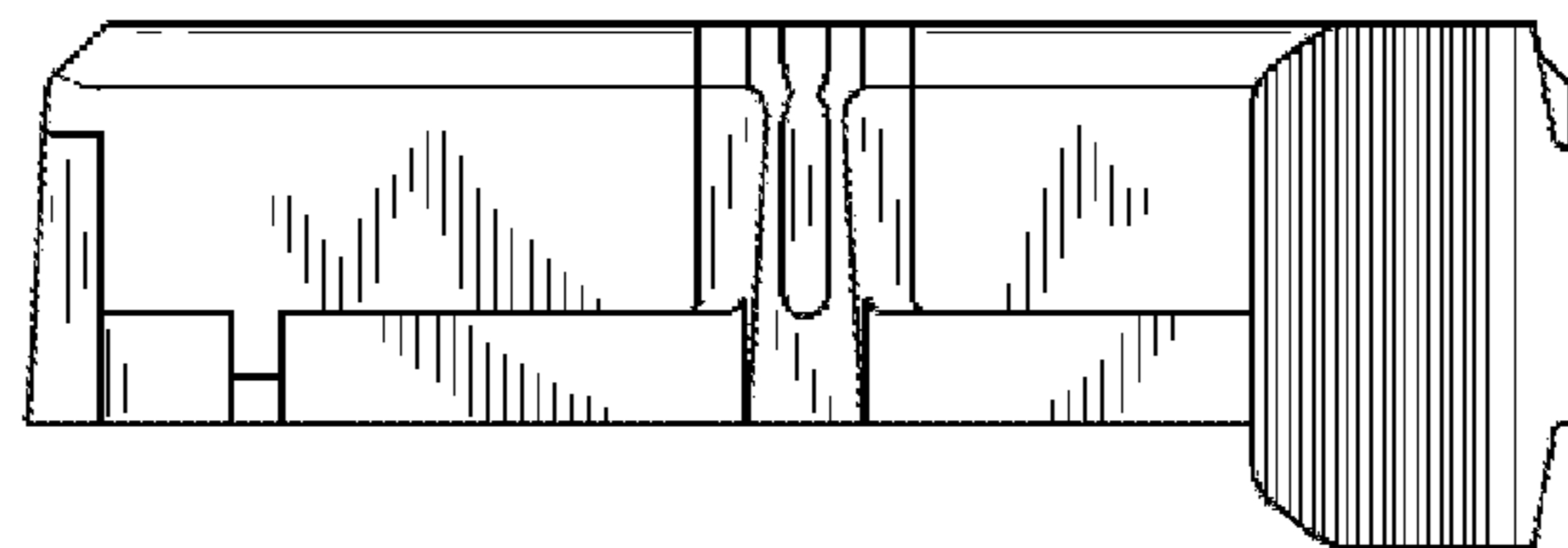


FIG. 5

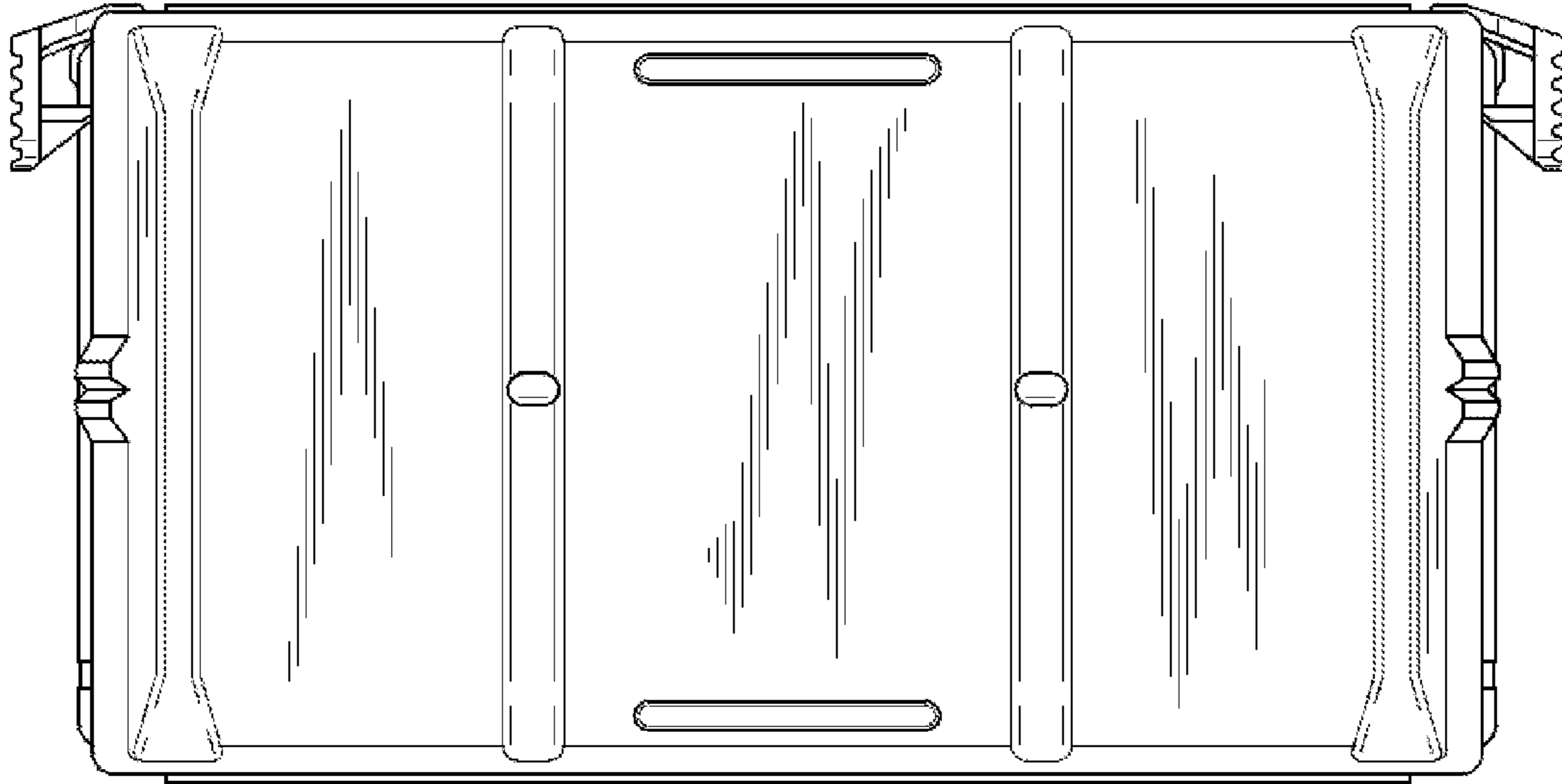


FIG. 6

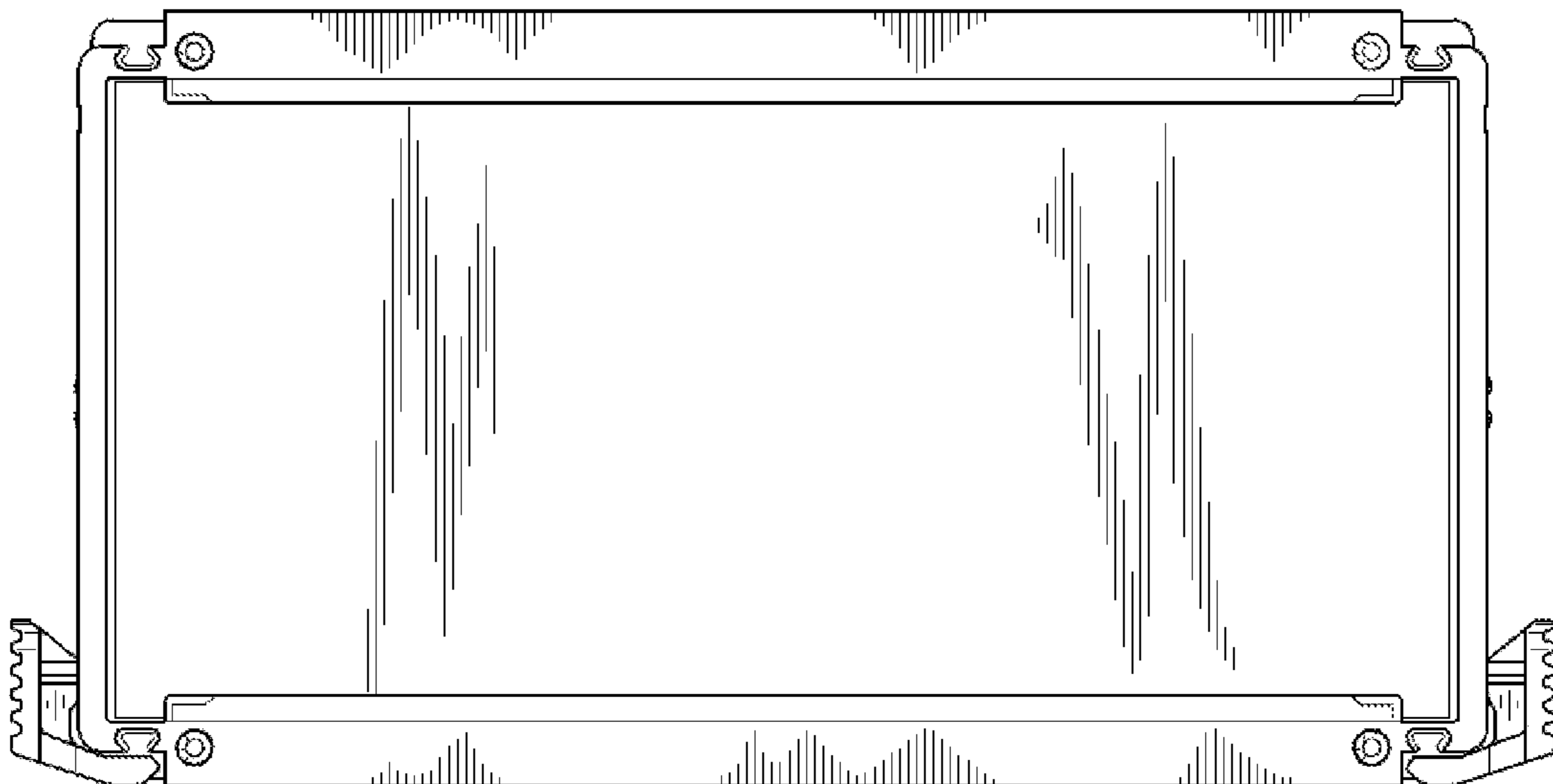


FIG. 7

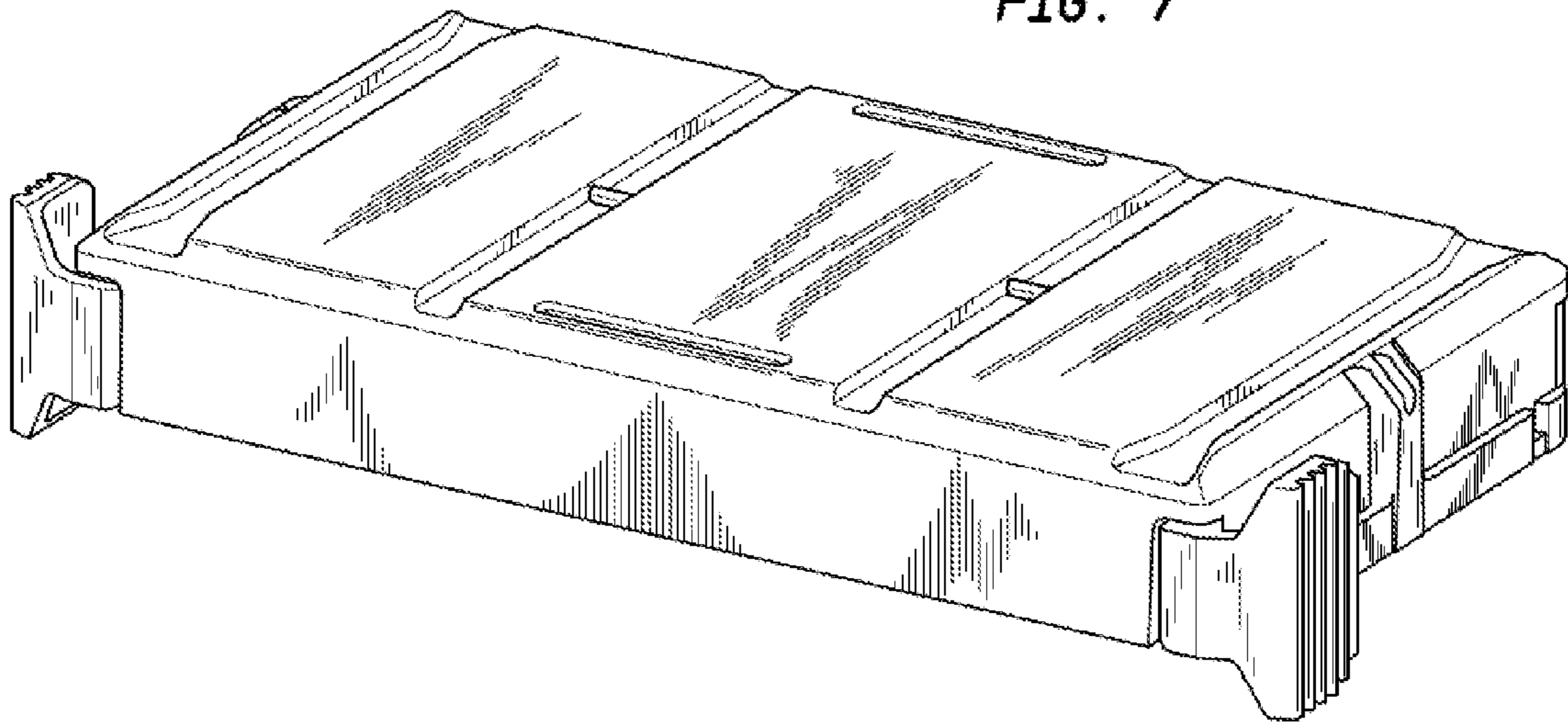


FIG. 8

