

US00D668713S

(12) **United States Design Patent**
Kitamura et al.

(10) **Patent No.:** **US D668,713 S**

(45) **Date of Patent:** **** Oct. 9, 2012**

(54) **ROLLER STAMP**

(75) Inventors: **Hideyuki Kitamura**, Tokyo (JP);
Satoru Ono, Tokyo (JP); **Jun Ushijima**,
Tokyo (JP); **Shoichi Soma**, Tokyo (JP);
Mizuki Hara, Tokyo (JP)

(73) Assignee: **Plus Corporation**, Tokyo (JP)

(**) Term: **14 Years**

(21) Appl. No.: **29/403,389**

(22) Filed: **Oct. 5, 2011**

(30) **Foreign Application Priority Data**

Jul. 21, 2011 (JP) 2011-016793

(51) **LOC (9) Cl.** **19-02**

(52) **U.S. Cl.** **D18/15**

(58) **Field of Classification Search** D18/15,
D18/16-18, 50; D19/65-68, 70, 71; D9/521;
101/103, 327-334, 335, 337, 348, 375; 400/470
See application file for complete search history.

(56) **References Cited**

U.S. PATENT DOCUMENTS

D167,210 S *	7/1952	Herst	D19/71
D178,686 S *	9/1956	Mitchell	D18/15
4,492,162 A *	1/1985	Nettesheim et al.	101/103
D339,819 S *	9/1993	Chen	D18/15
D347,652 S *	6/1994	Salisbury et al.	D18/15
5,435,245 A *	7/1995	Salisbury et al.	101/328
5,505,133 A *	4/1996	Chen	101/375

5,577,444 A *	11/1996	Toyama	101/379
D629,838 S *	12/2010	Block et al.	D18/15
D630,250 S *	1/2011	Yoon	D19/66
2002/0092433 A1 *	7/2002	Oh	101/329
2011/0174175 A1 *	7/2011	Ushijima	101/333

* cited by examiner

Primary Examiner — Bridget L Eland

(74) *Attorney, Agent, or Firm* — William J. Sapone;
Coleman Sudol Sapone P.C.

(57) **CLAIM**

We claim the ornamental design for a roller stamp, as shown and described.

DESCRIPTION

FIG. 1 is a front perspective view of a first embodiment of a roller stamp showing our design;

FIG. 2 is a front view thereof;

FIG. 3 is a left side view, the right side, with the exception of the openings, being a mirror image thereof;

FIG. 4 is a top view thereof;

FIG. 5 is a bottom view thereof;

FIG. 6 is a rear view thereof;

FIG. 7 is an exploded perspective view of the roller stamp of FIG. 1, showing an end protective cap matable therewith;

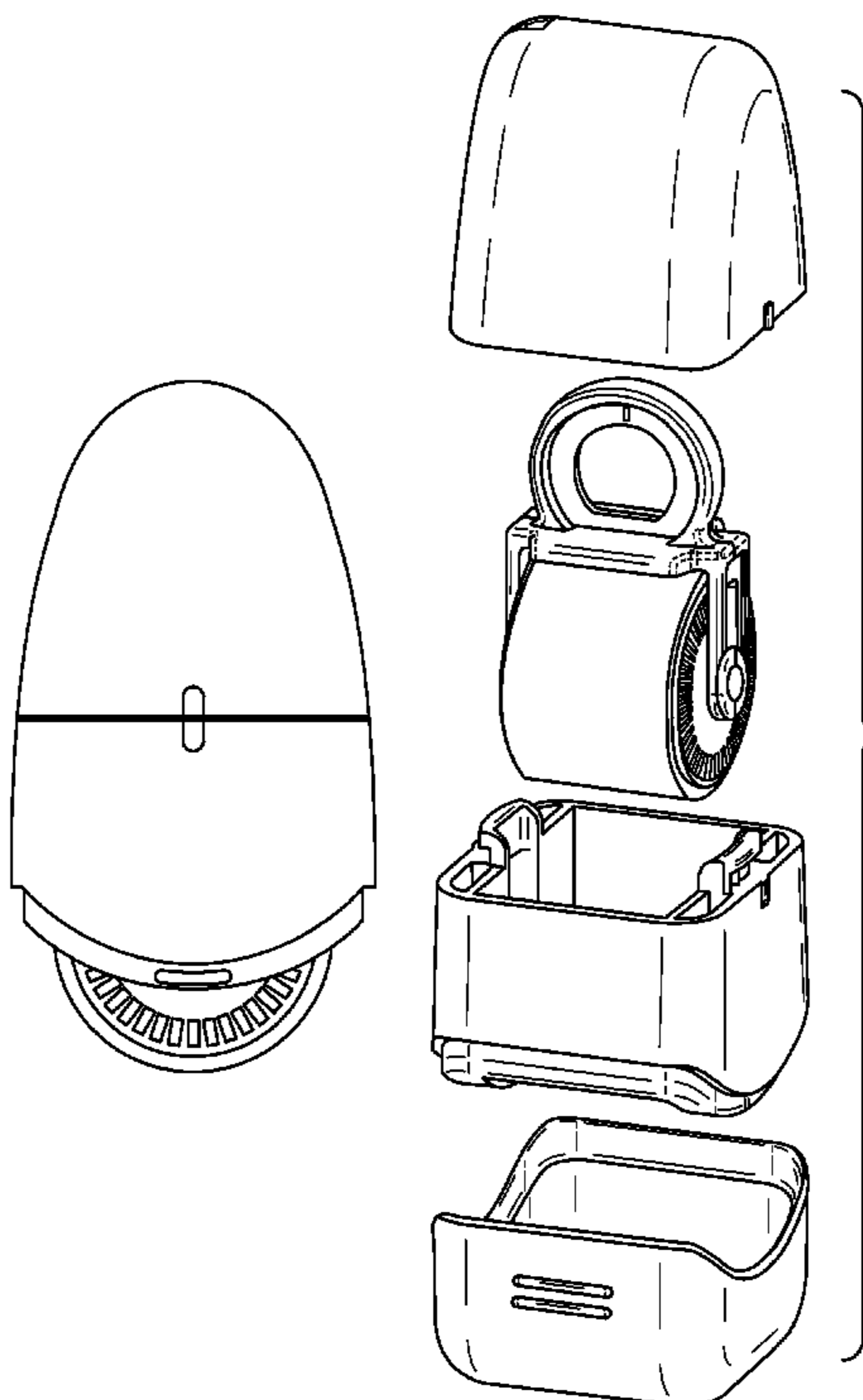
FIG. 8 is a perspective view of the roller stamp of FIG. 7 with the roller stamp mated with the end cap;

FIG. 9 is an exploded perspective view of a second embodiment of the roller stamp of FIG. 1, showing a transparent end protective cap matable therewith;

FIG. 10 is a perspective view of the roller stamp of FIG. 9, with the roller stamp mated with the transparent end cap; and,

FIG. 11 is a perspective exploded view of the components comprising the roller stamp and end cap of FIG. 7.

1 Claim, 5 Drawing Sheets



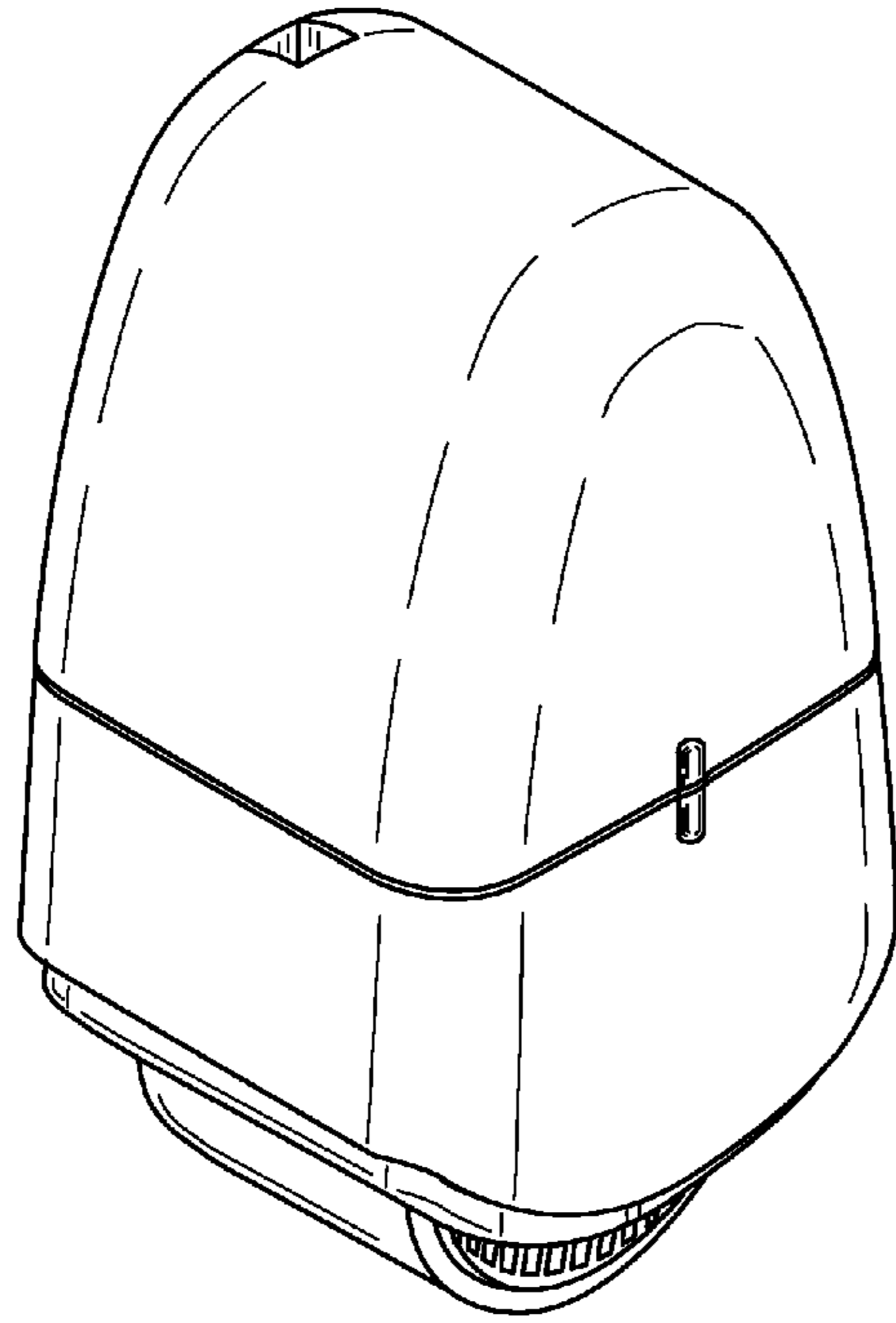


FIG. 1

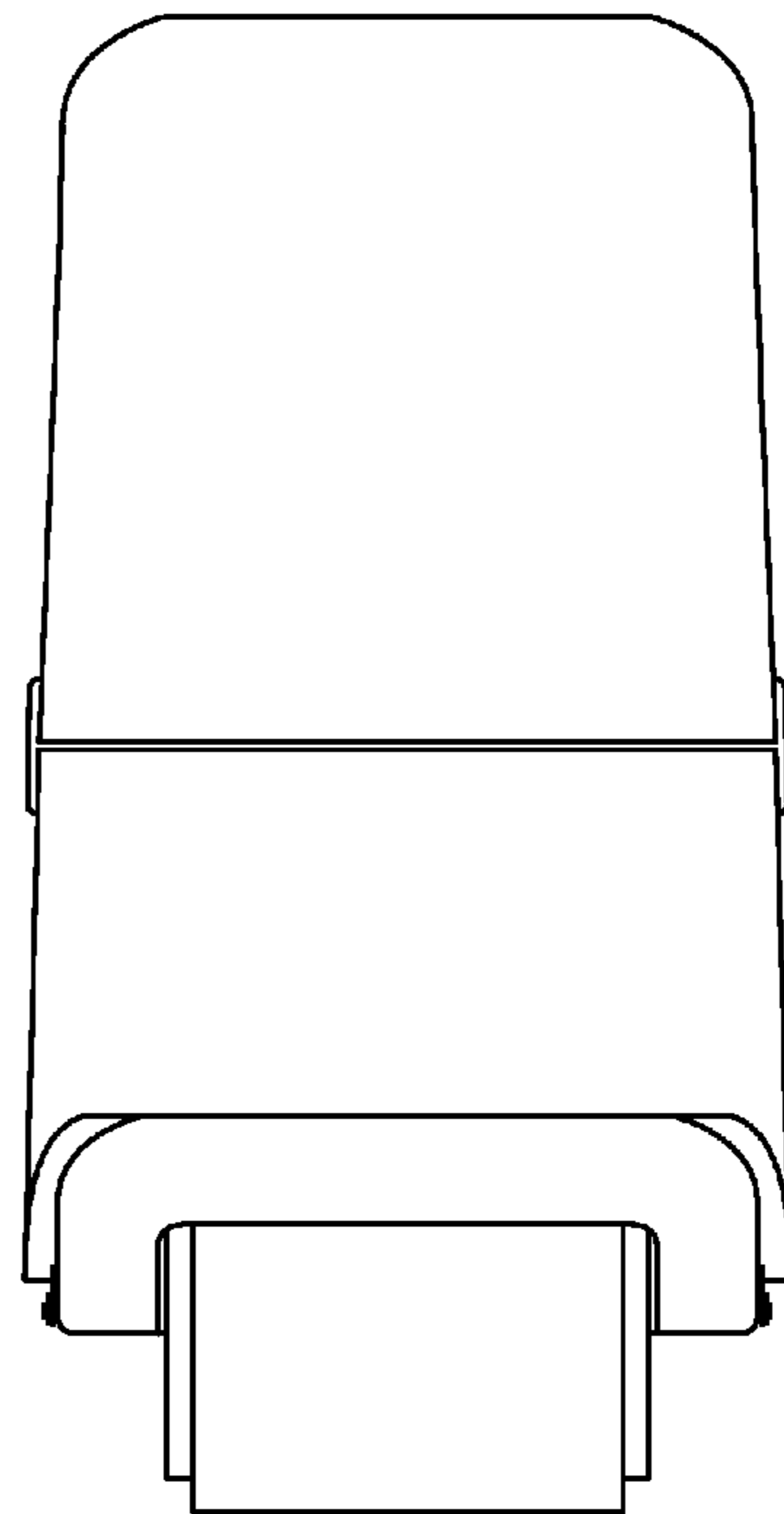


FIG. 2

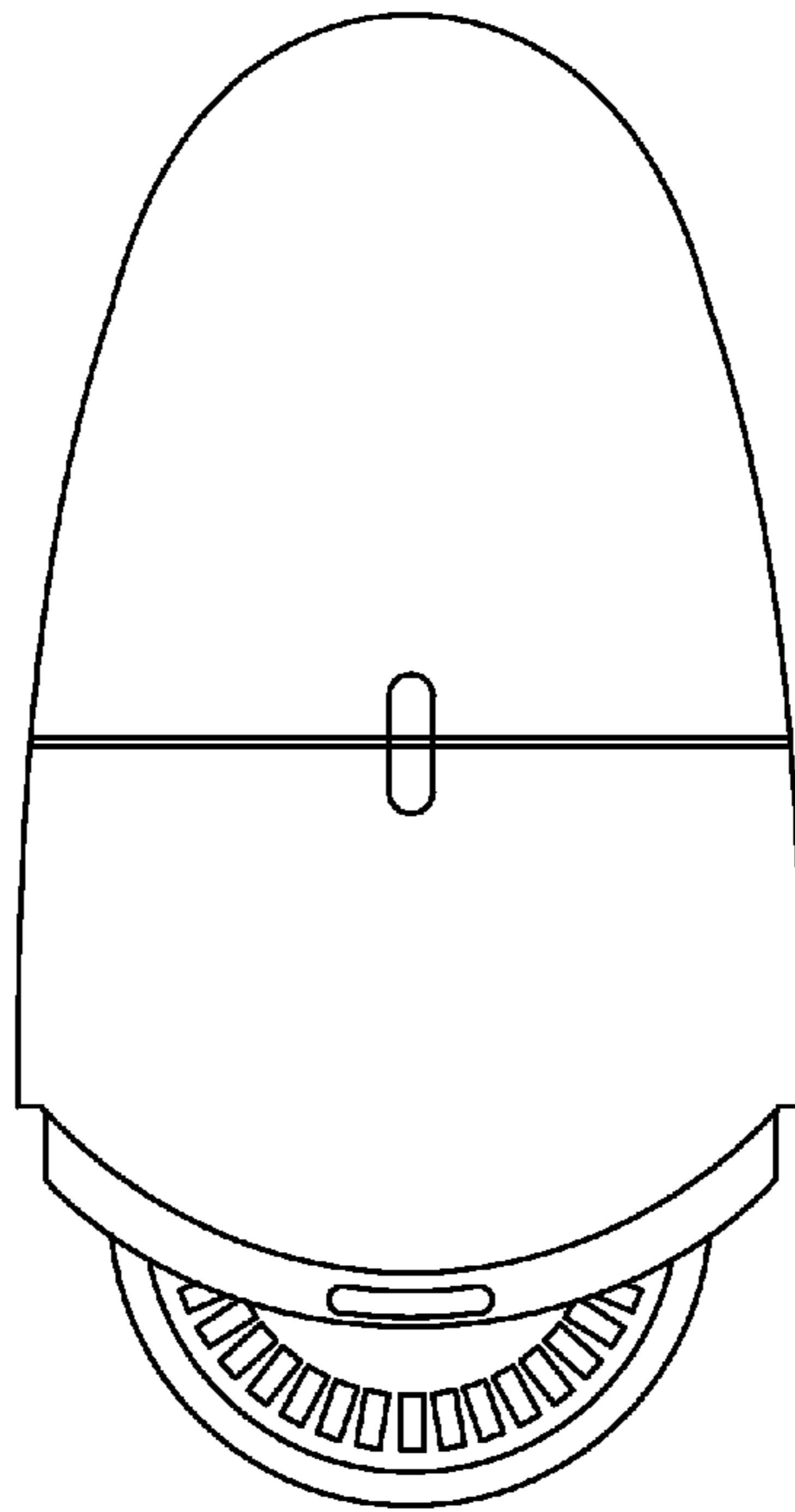


FIG. 3

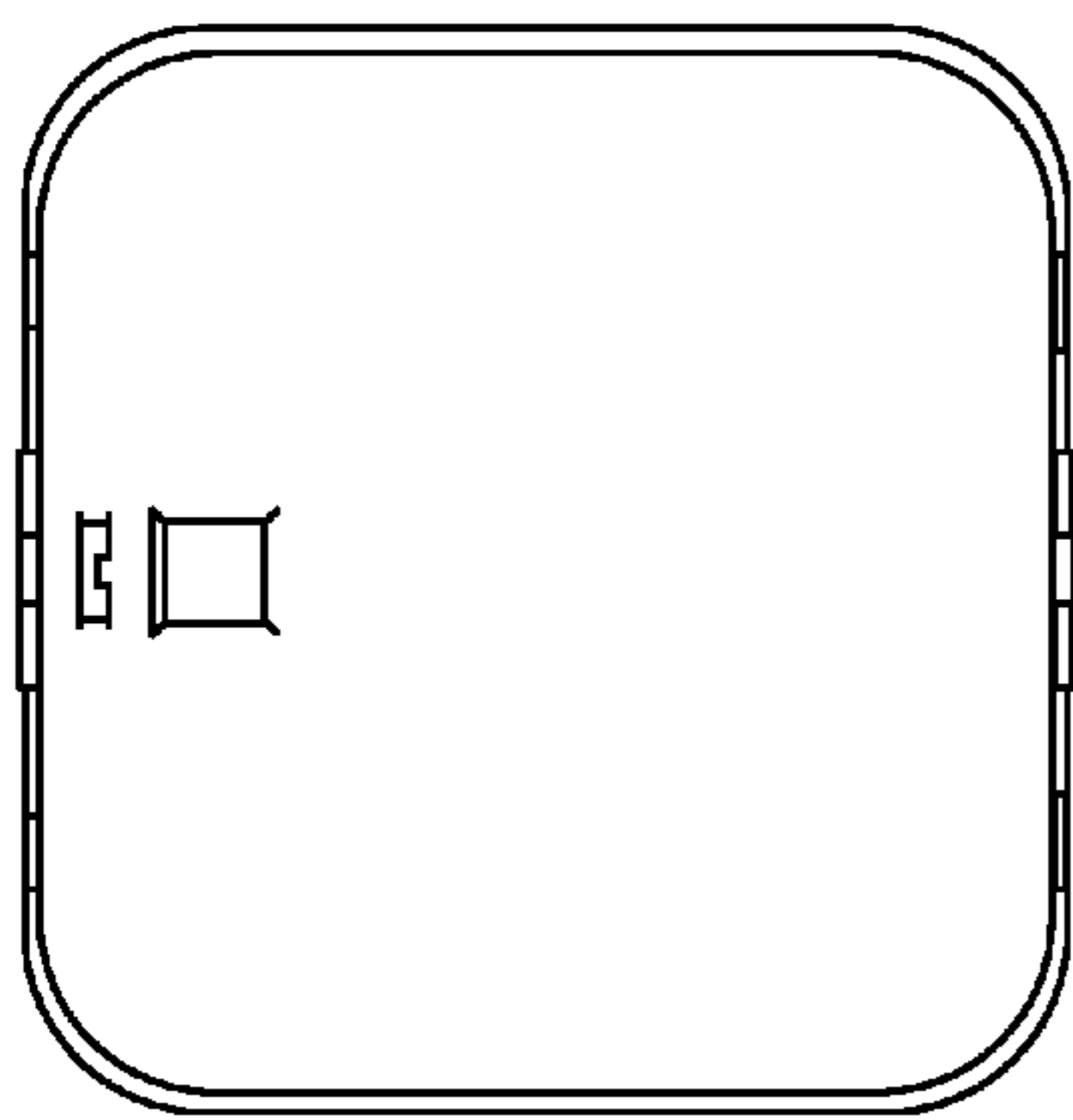


FIG. 4

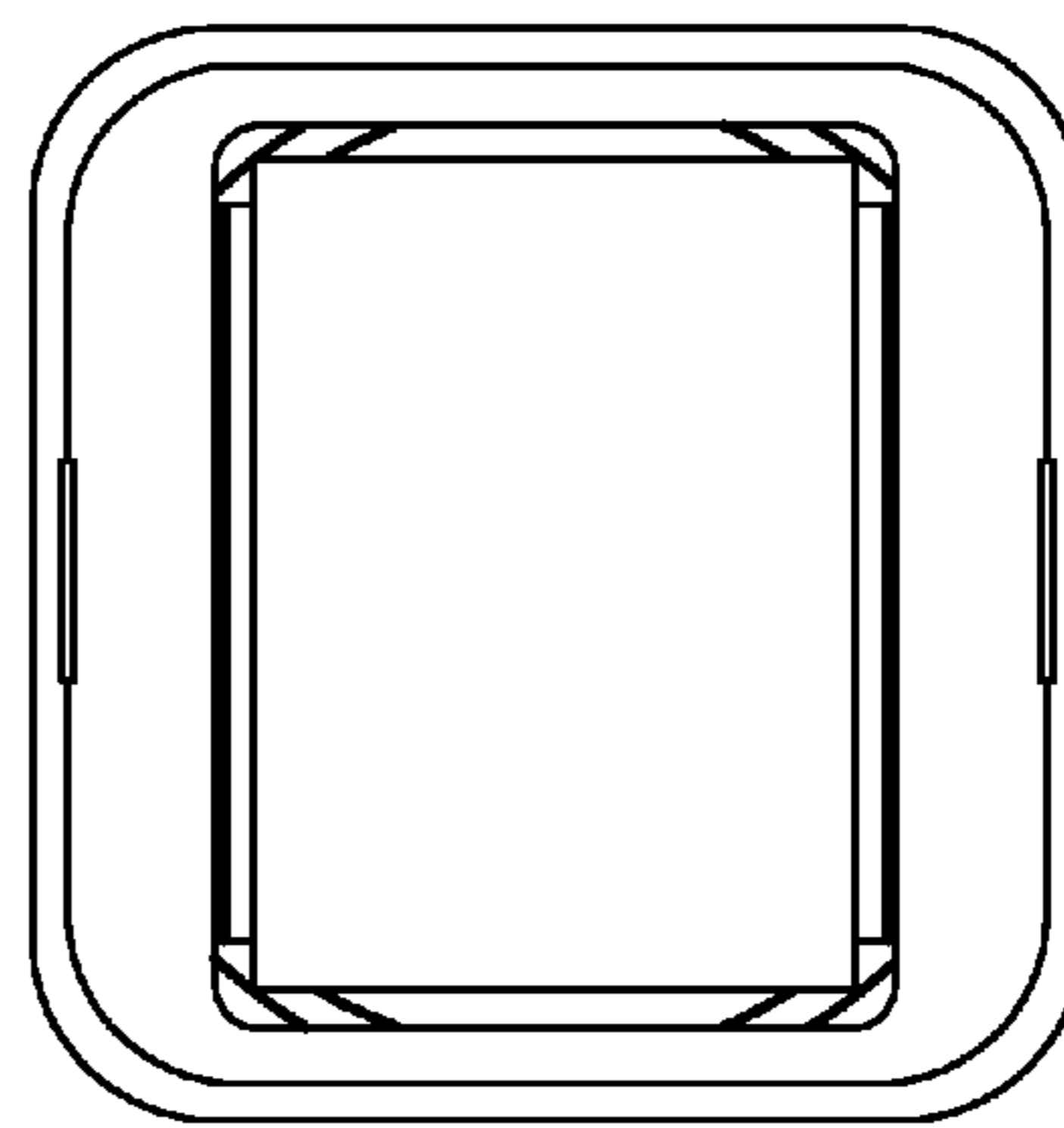


FIG. 5

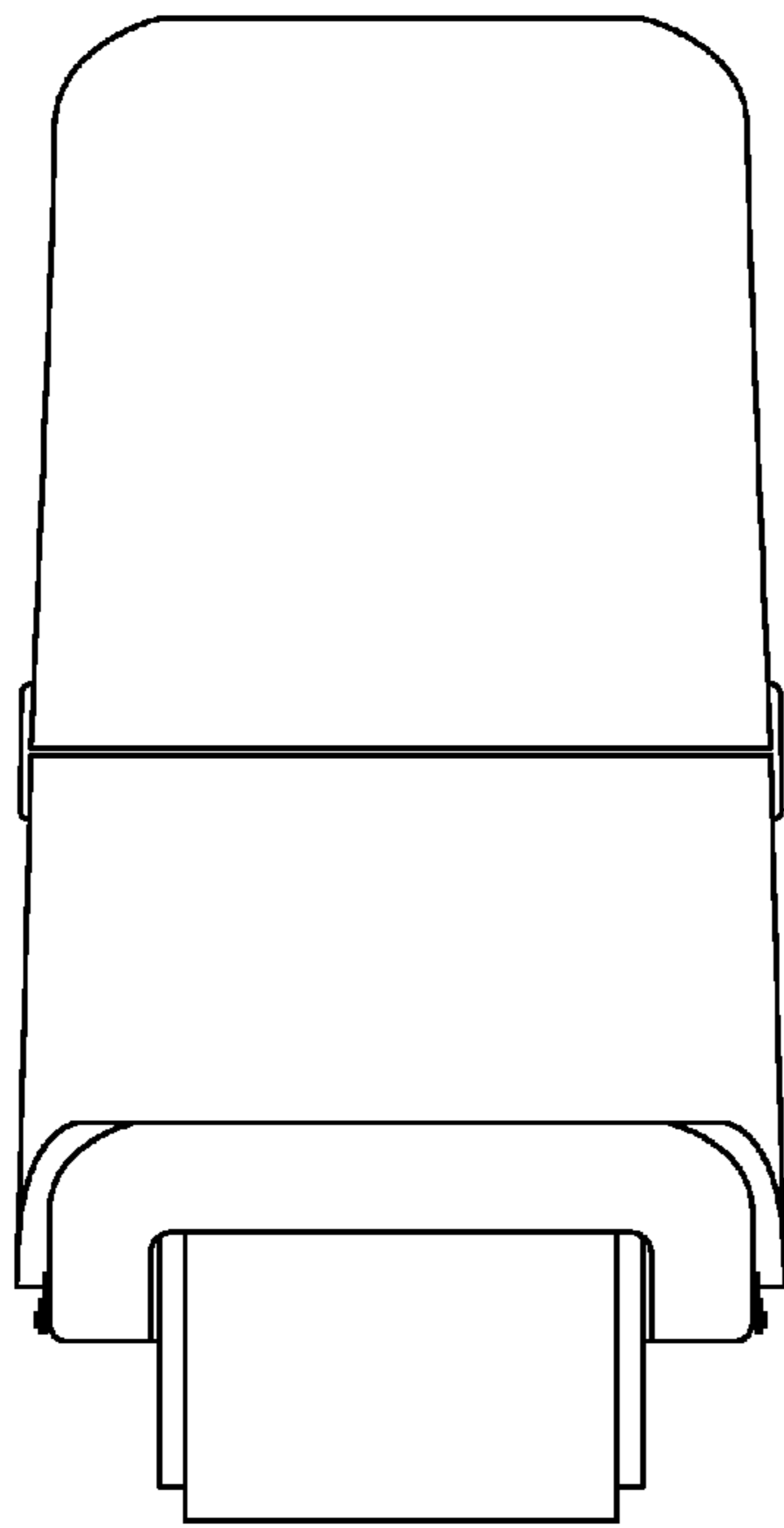


FIG. 6

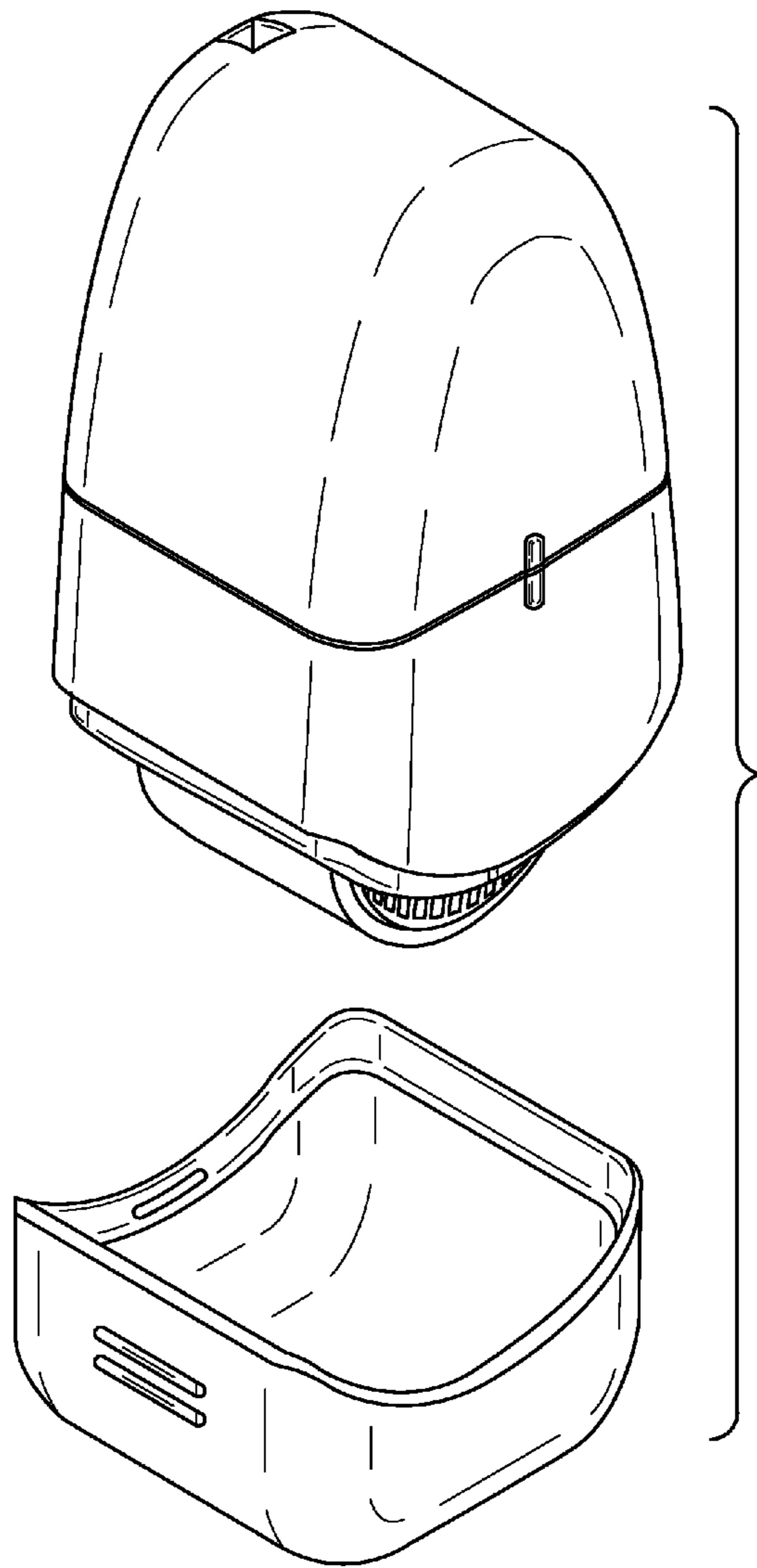


FIG. 7

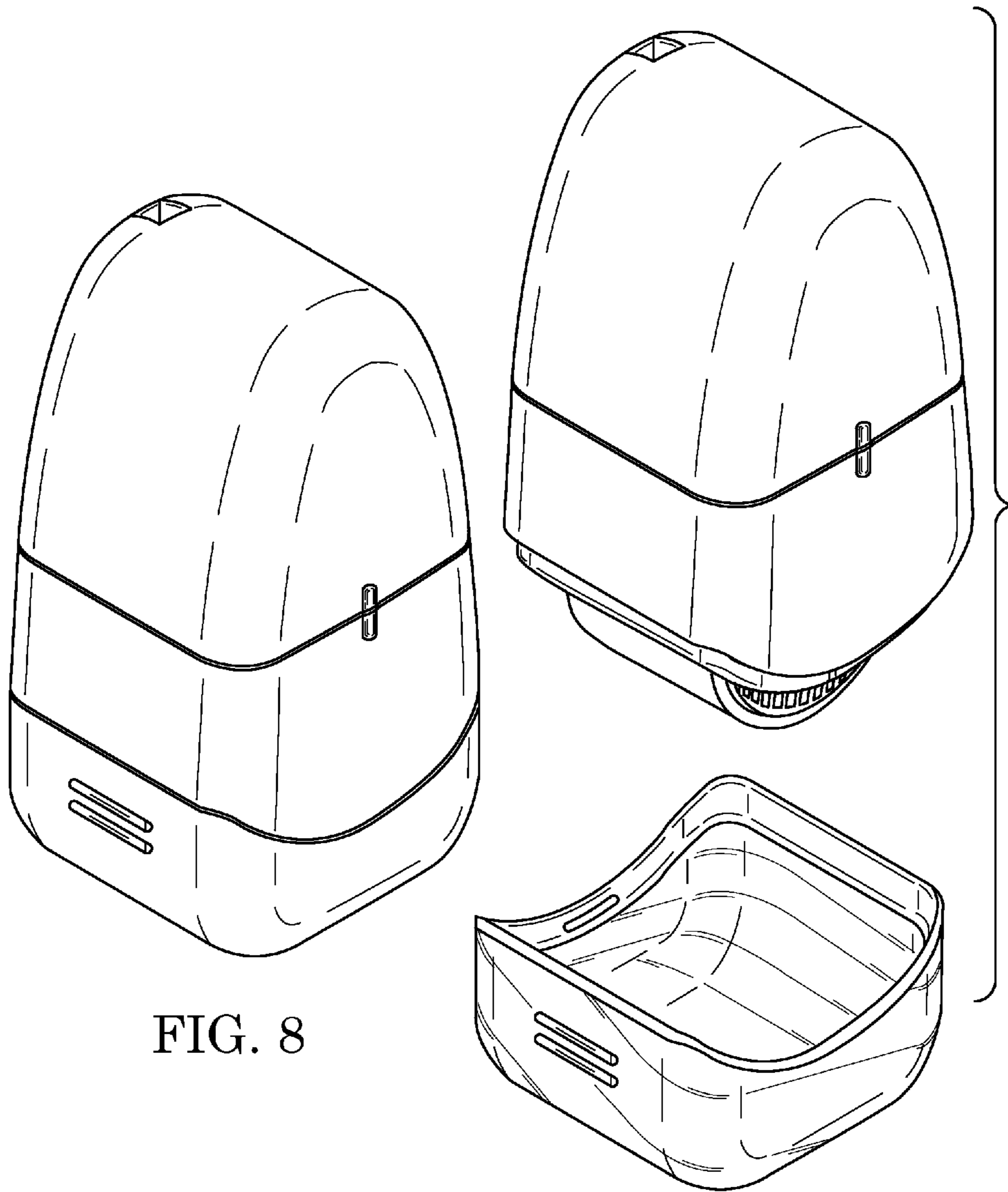


FIG. 8

FIG. 9

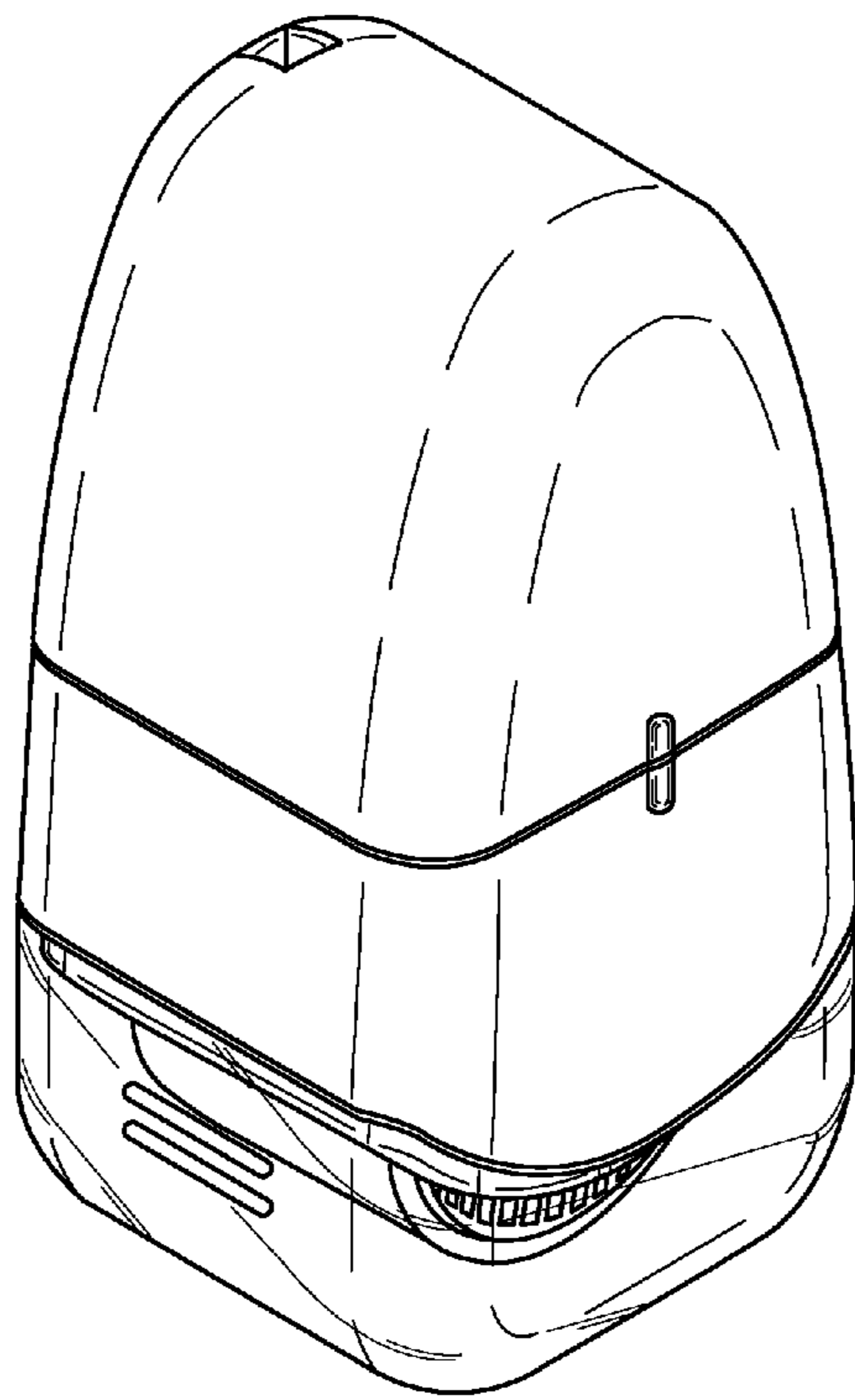


FIG. 10

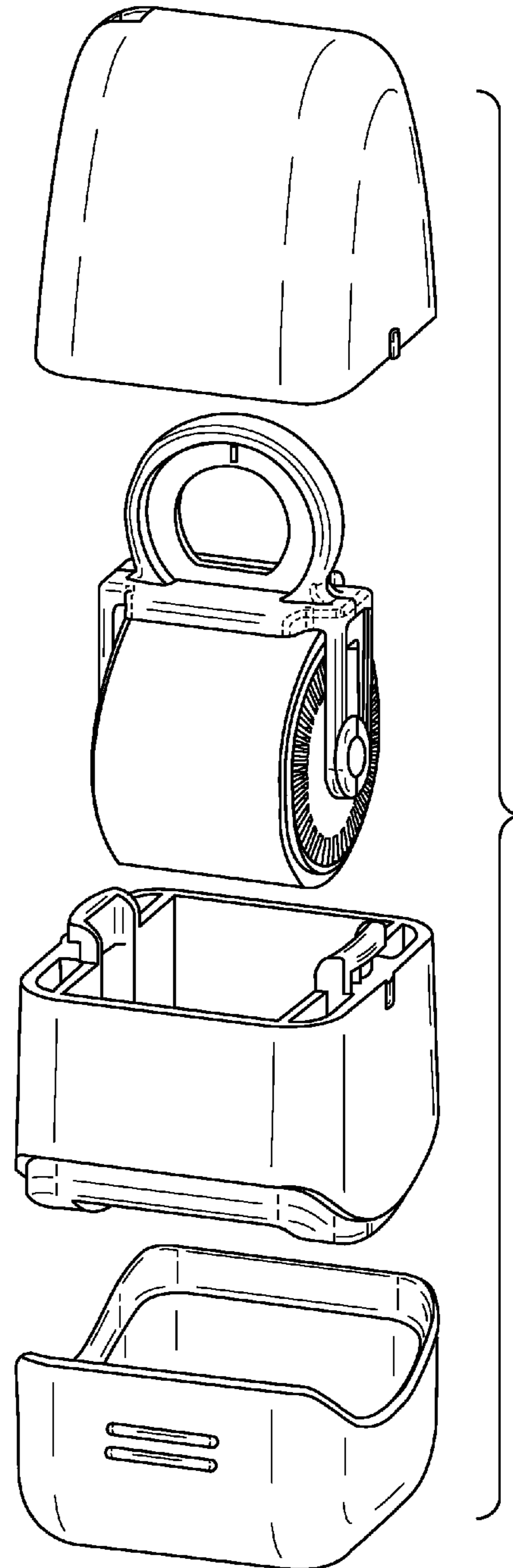


FIG. 11