

US00D668712S

(12) **United States Design Patent**
Gates

(10) **Patent No.:** **US D668,712 S**

(45) **Date of Patent:** **** Oct. 9, 2012**

(54) **DRUM CHAMBER**

(76) Inventor: **Dwayne Gates**, Roanoke, TX (US)

(**) Term: **14 Years**

(21) Appl. No.: **29/370,942**

(22) Filed: **Sep. 23, 2010**

(51) **LOC (9) Cl.** **17-04**

(52) **U.S. Cl.** **D17/22**

(58) **Field of Classification Search** D17/22,
D17/99; D21/405; 84/413, 415, DIG. 12,
84/723-733, 411 R, 412, 419-421, DIG. 3
See application file for complete search history.

(56) **References Cited**

U.S. PATENT DOCUMENTS

3,626,458	A *	12/1971	Zickos	84/411 R
3,867,863	A *	2/1975	Vennola et al.	84/420
D257,989	S *	1/1981	Ludwig	D17/22
D308,983	S *	7/1990	Bonsor	D17/22
D339,818	S *	9/1993	Peterson	D17/22
6,696,630	B2 *	2/2004	Gatzen	84/411 M

7,456,350	B2 *	11/2008	Neumayer et al.	84/411 R
D611,524	S *	3/2010	Lawrence, III	D17/22
D650,832	S *	12/2011	Wiese et al.	D17/22

* cited by examiner

Primary Examiner — Ian Simmons

Assistant Examiner — Carissa C Fitts

(74) *Attorney, Agent, or Firm* — David G. Moore

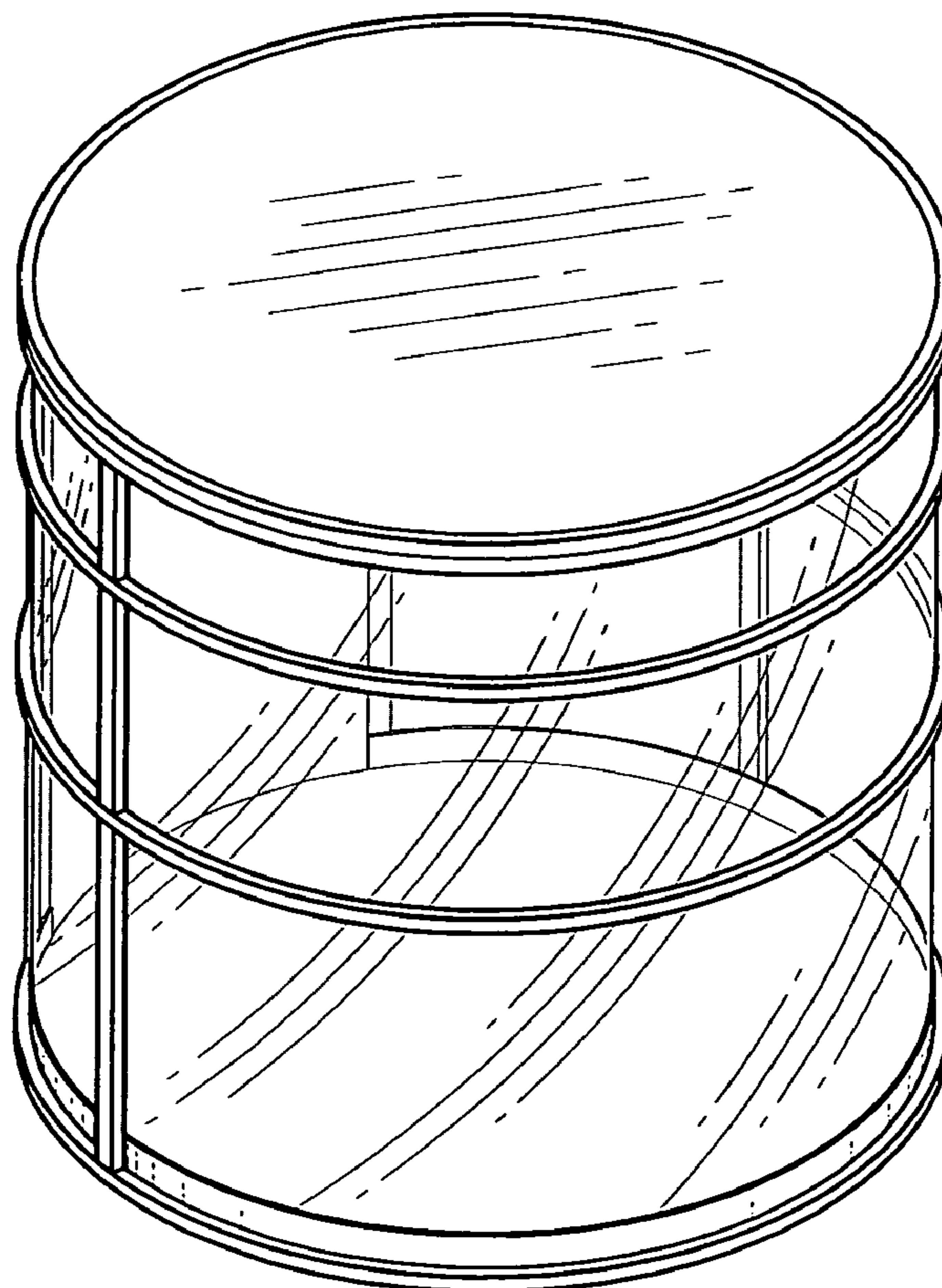
(57) **CLAIM**

The ornamental design for a drum chamber, as shown.

DESCRIPTION

FIG. 1 is a frontal view of the drum chamber showing my new design;
 FIG. 2 is a view the right side of the drum chamber;
 FIG. 3 is a view of the bottom of the drum chamber;
 FIG. 4 is a rear view showing the entrance to the drum chamber;
 FIG. 5 is a view of the left side of the drum chamber;
 FIG. 6 is a view of the top of the drum chamber; and,
 FIG. 7 is an oblique perspective view of the front of the drum chamber.

1 Claim, 3 Drawing Sheets



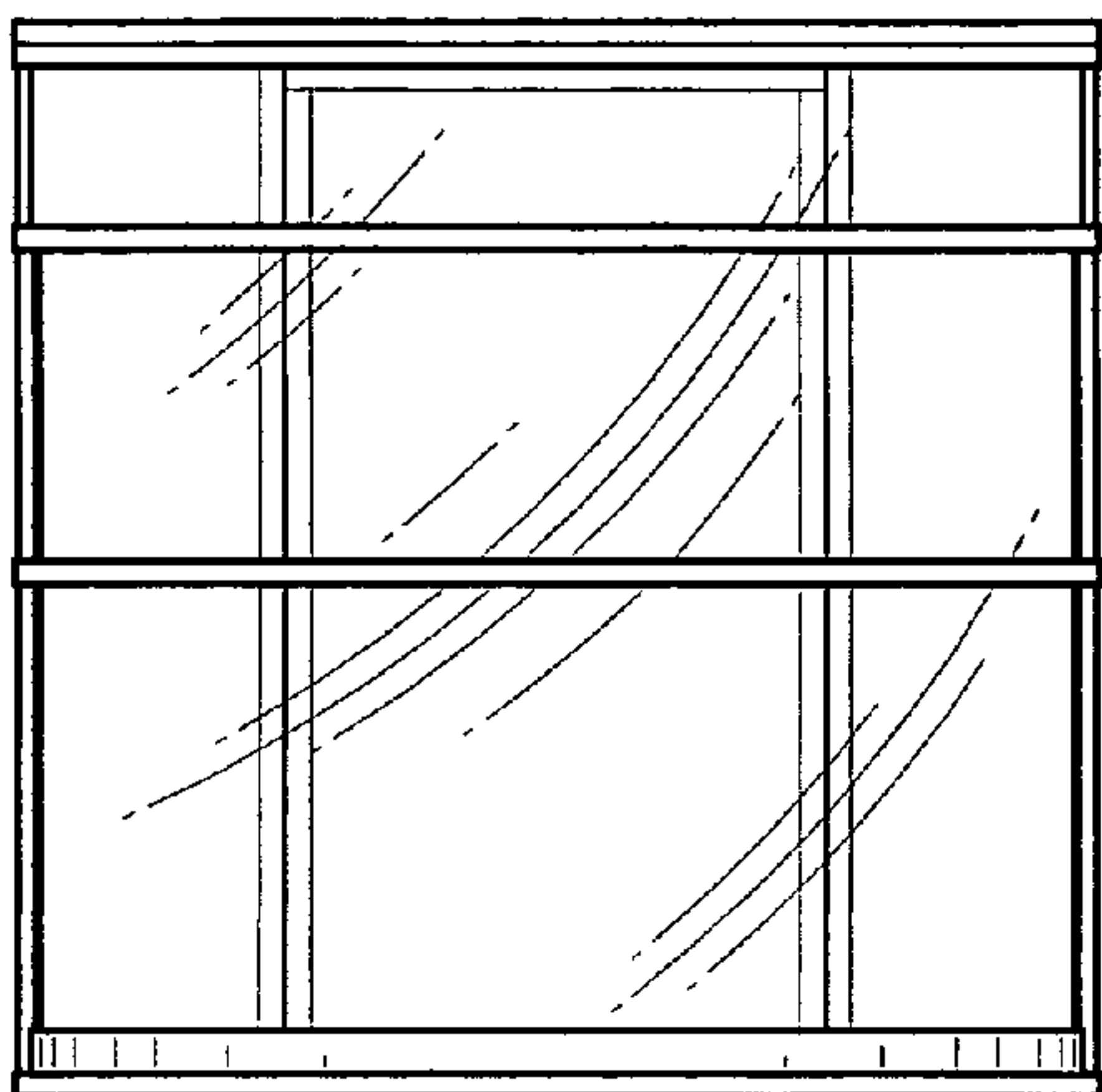


Fig. 1

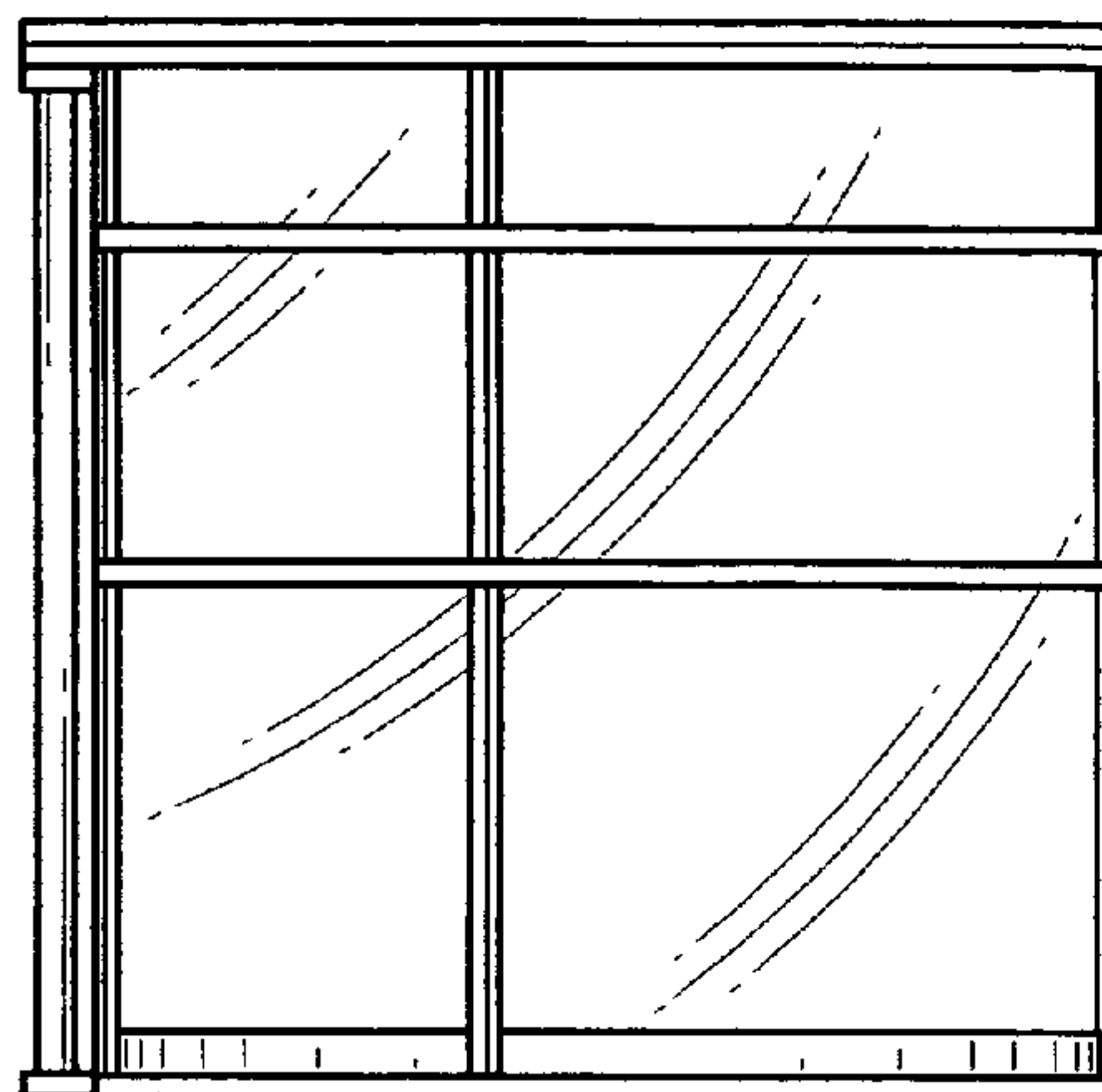


Fig. 2

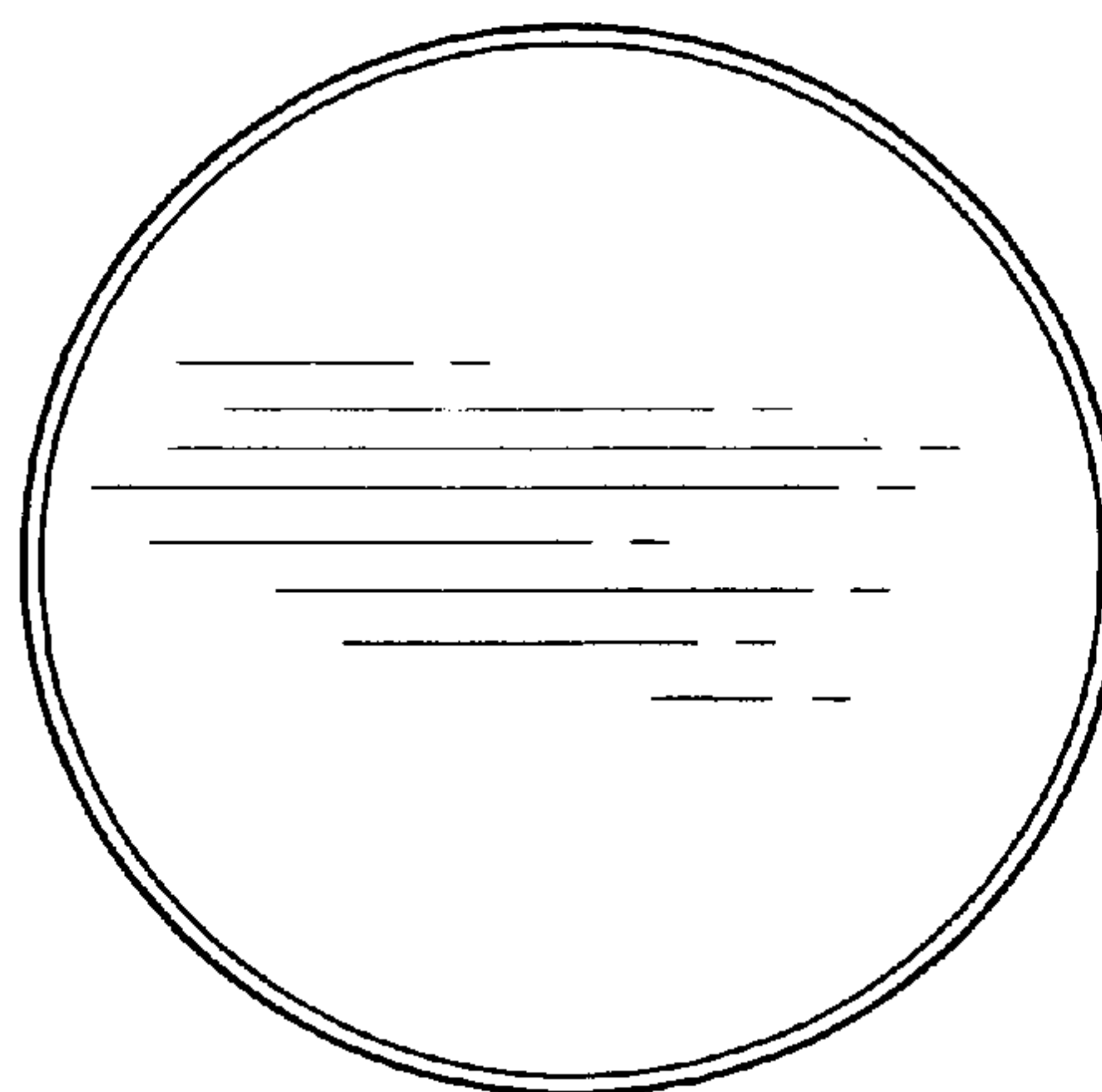


Fig. 3

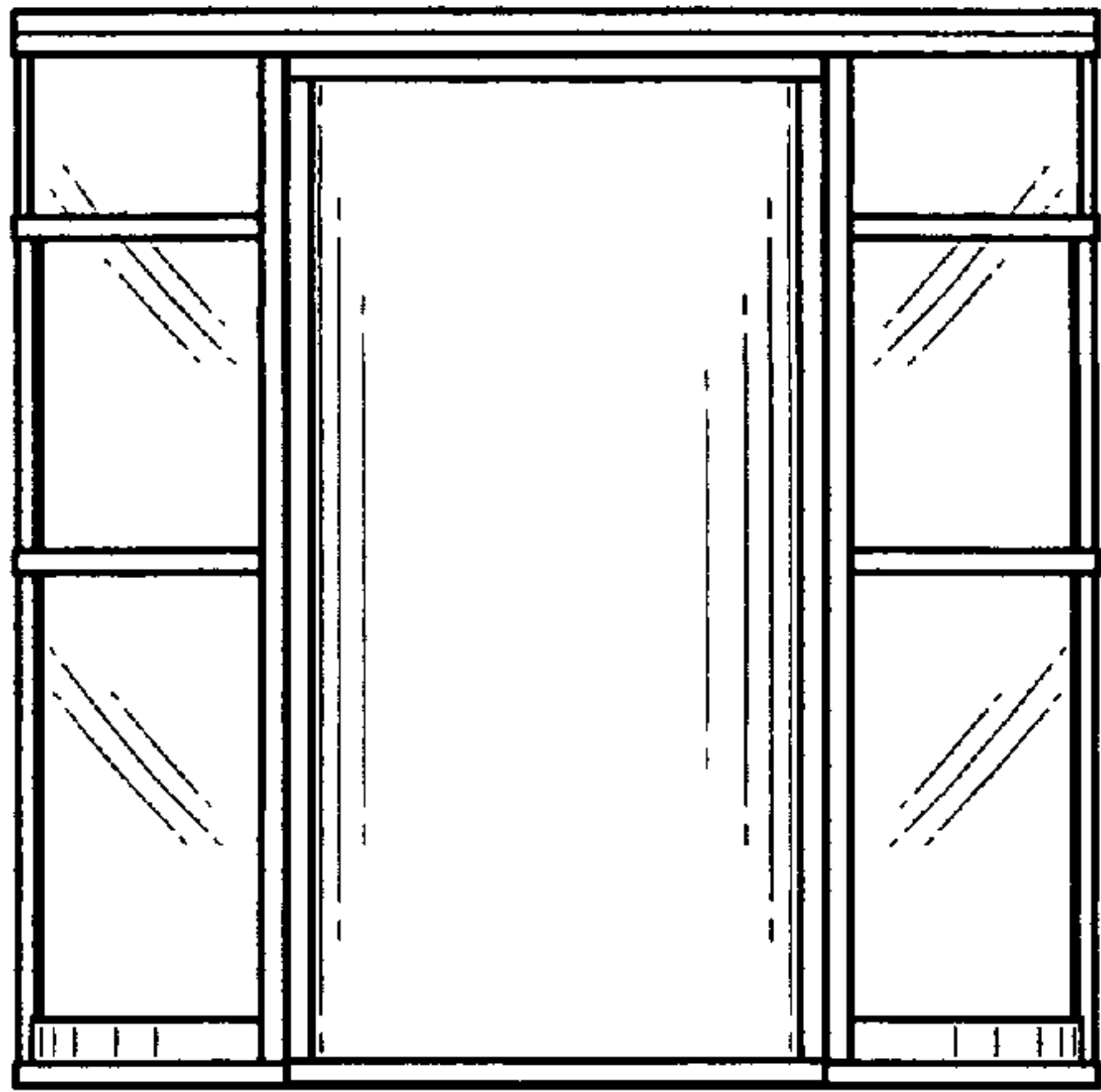


Fig. 4

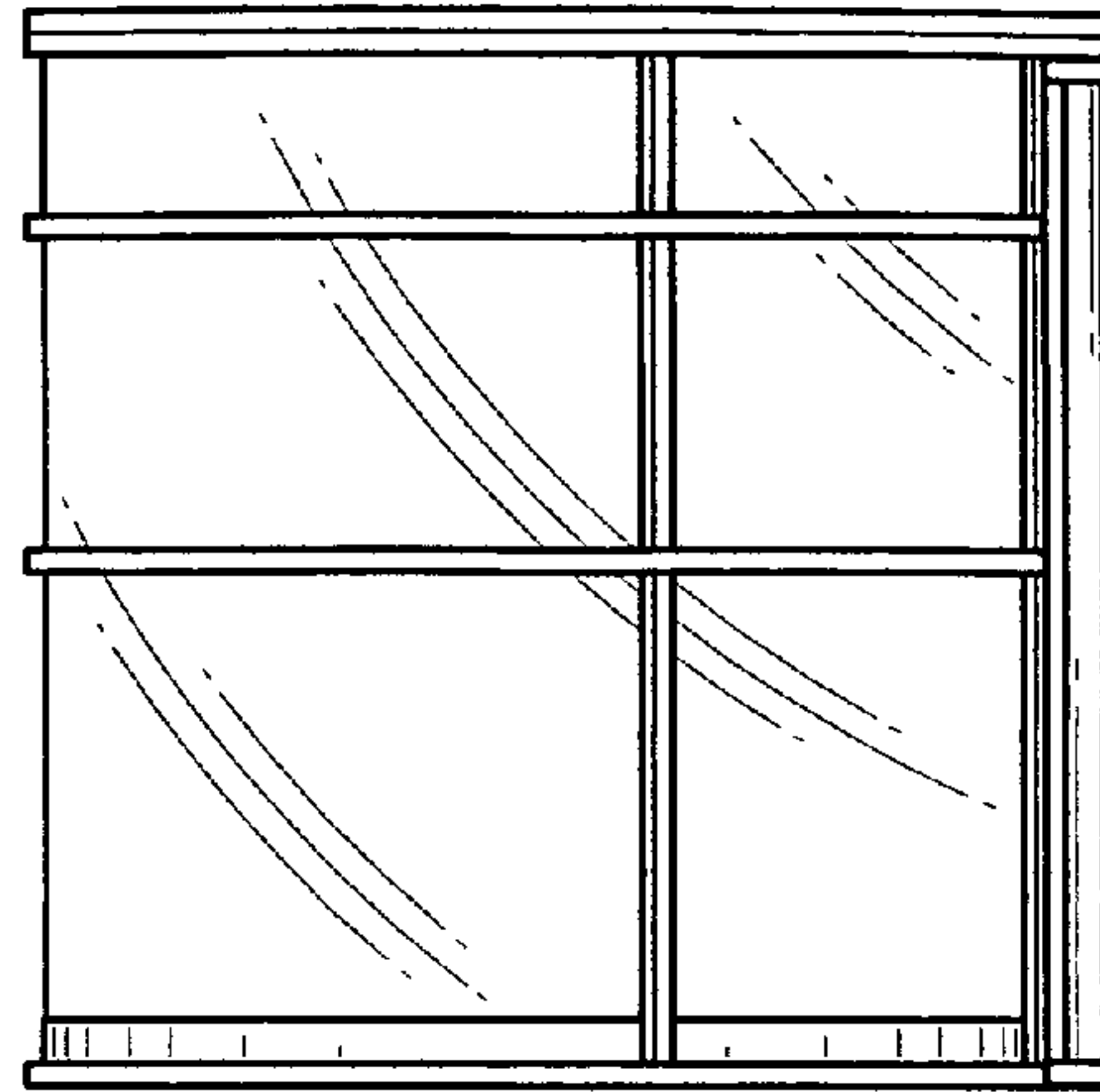


Fig. 5

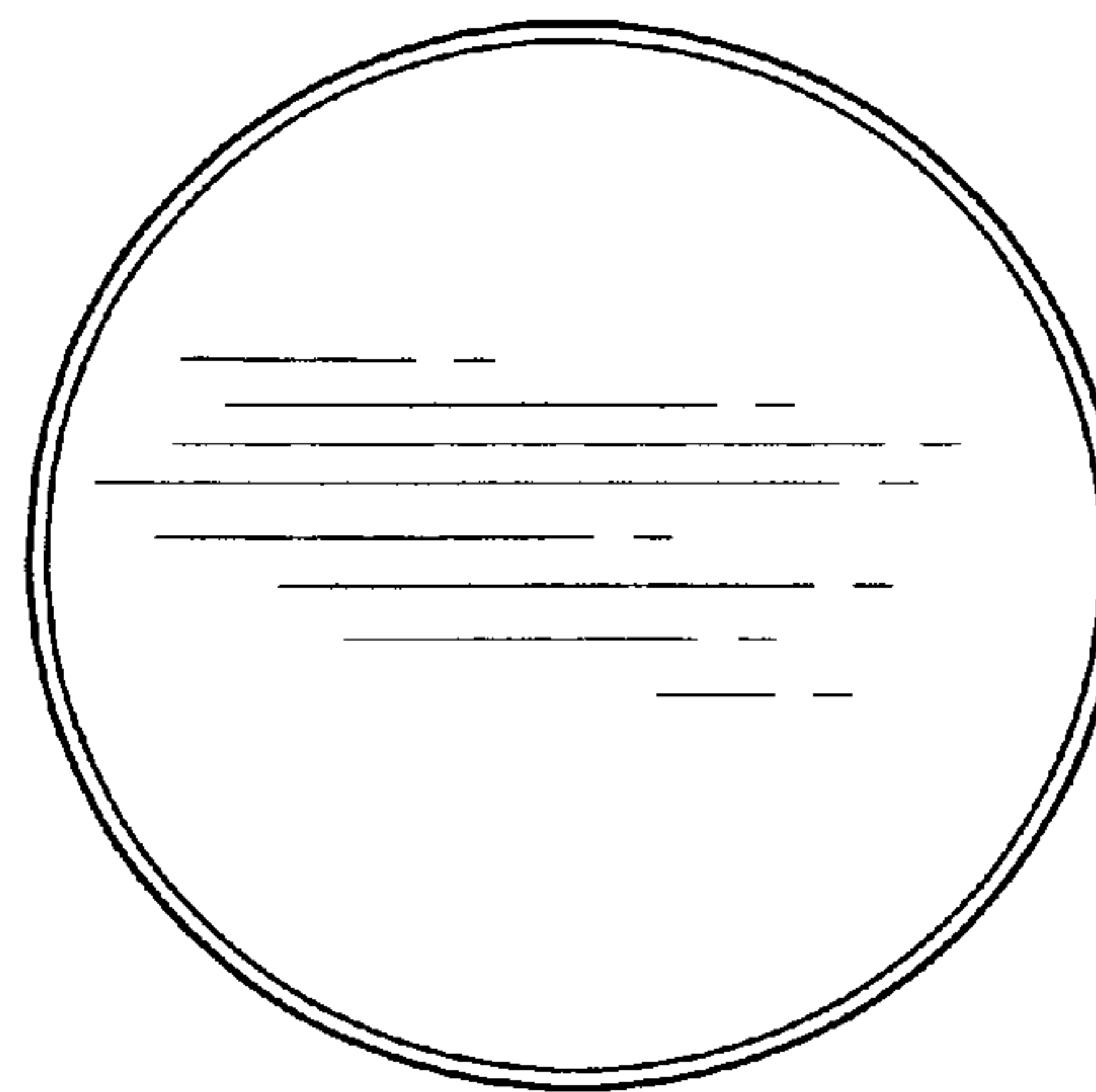


Fig. 6

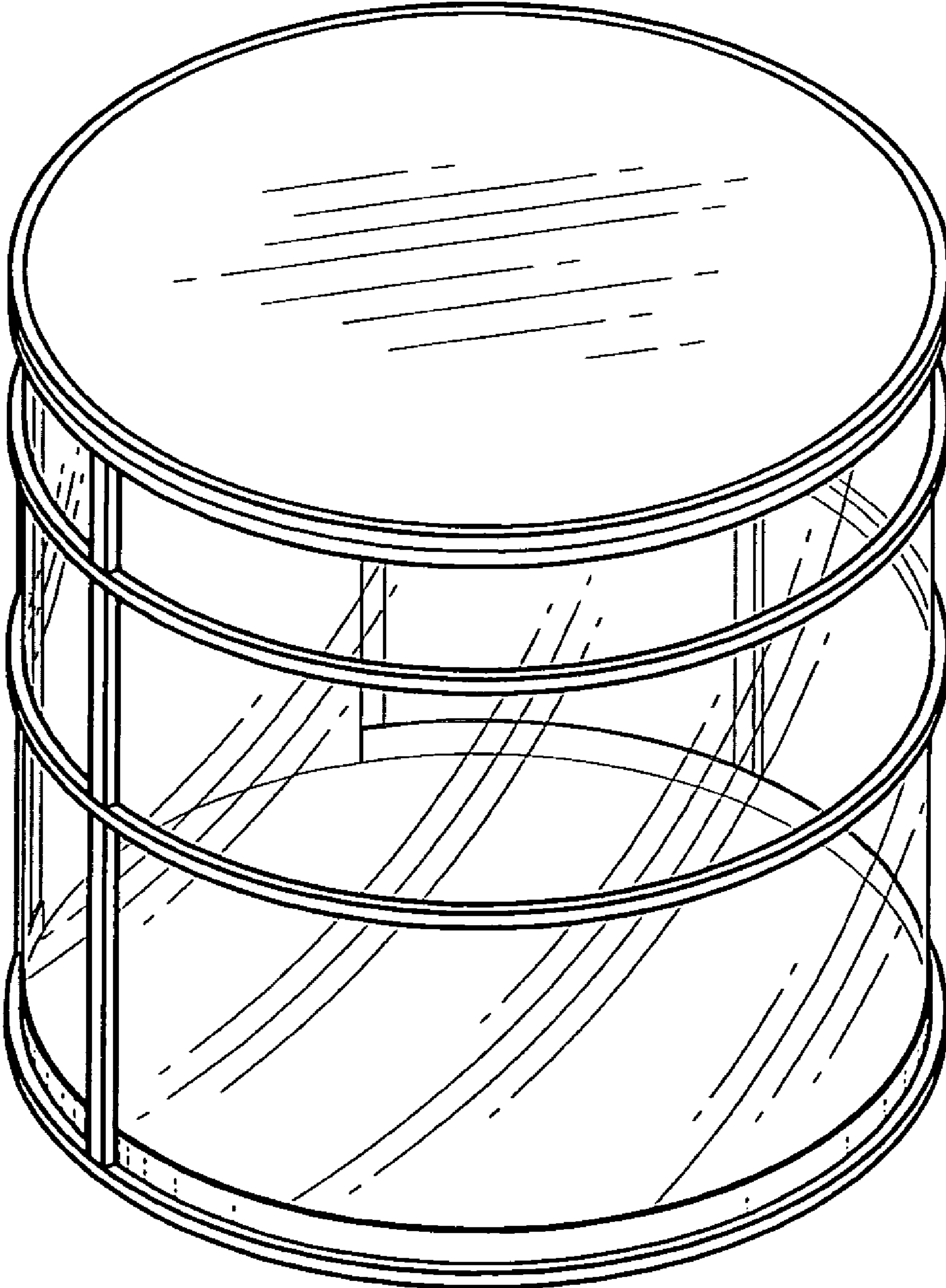


Fig. 7