



US00D668703S

(12) **United States Design Patent**  
**Gordon et al.**

(10) **Patent No.:** **US D668,703 S**

(45) **Date of Patent:** **\*\* Oct. 9, 2012**

(54) **SLEEP MASK WITH POCKET**

(76) Inventors: **Cynthia Callendar Gordon**, Las Vegas, NV (US); **Marc Charles Gordon**, Las Vegas, NV (US)

(\*\*) Term: **14 Years**

(21) Appl. No.: **29/424,661**

(22) Filed: **Jun. 14, 2012**

(51) **LOC (9) Cl.** ..... **16-06**

(52) **U.S. Cl.** ..... **D16/301**

(58) **Field of Classification Search** ..... D16/101, D16/300-342, 900; D29/109-110; D24/110.2; 351/41, 44, 51-52, 62, 158, 92, 103-123, 351/140, 153, 45-46, 162; 2/426-432, 447-449, 2/441, 434-437, 13, 15; D21/483, 659-661  
See application file for complete search history.

(56) **References Cited**

**U.S. PATENT DOCUMENTS**

945,839	A	1/1910	Brisbane	
3,541,608	A	11/1970	Otwell	
3,780,379	A	12/1973	Kampman	
4,502,476	A	3/1985	Welt	
D285,624	S	9/1986	Rosenbaum	
D302,167	S	7/1989	Sherman	
4,872,217	A *	10/1989	Kitayama	2/15
5,343,561	A	9/1994	Adamo	
6,088,836	A	7/2000	de Cordova	
D465,234	S	11/2002	Gordon	

D485,854	S *	1/2004	Thomason	.....	D16/301
D489,749	S *	5/2004	Landvik	.....	D16/301
D631,500	S *	1/2011	Schenk	.....	D16/301

\* cited by examiner

*Primary Examiner* — Raphael Barkai

(74) *Attorney, Agent, or Firm* — Mind Law Firm, P.C.; Justin G. Sanders; Jeromye V. Sartain

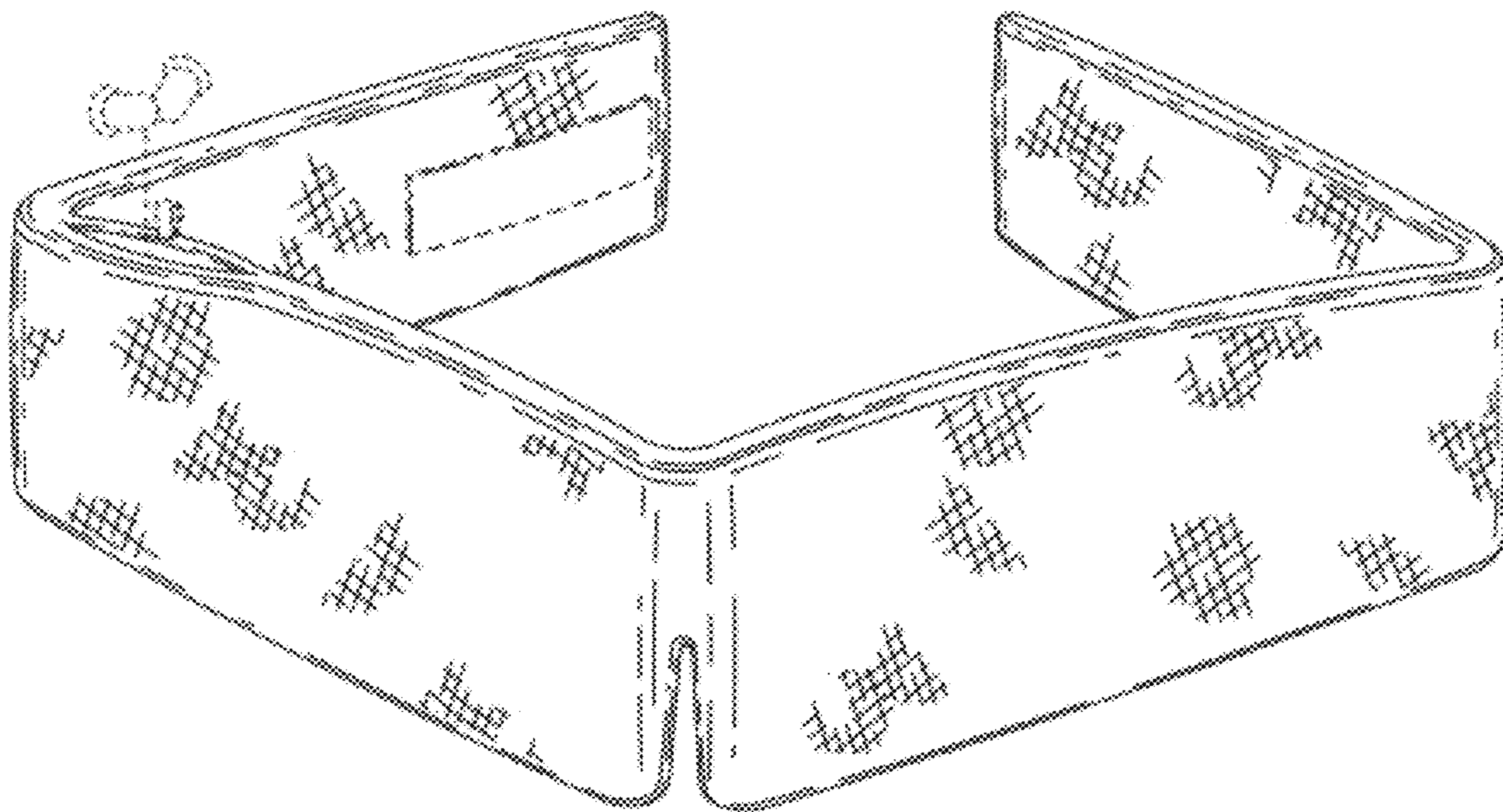
(57) **CLAIM**

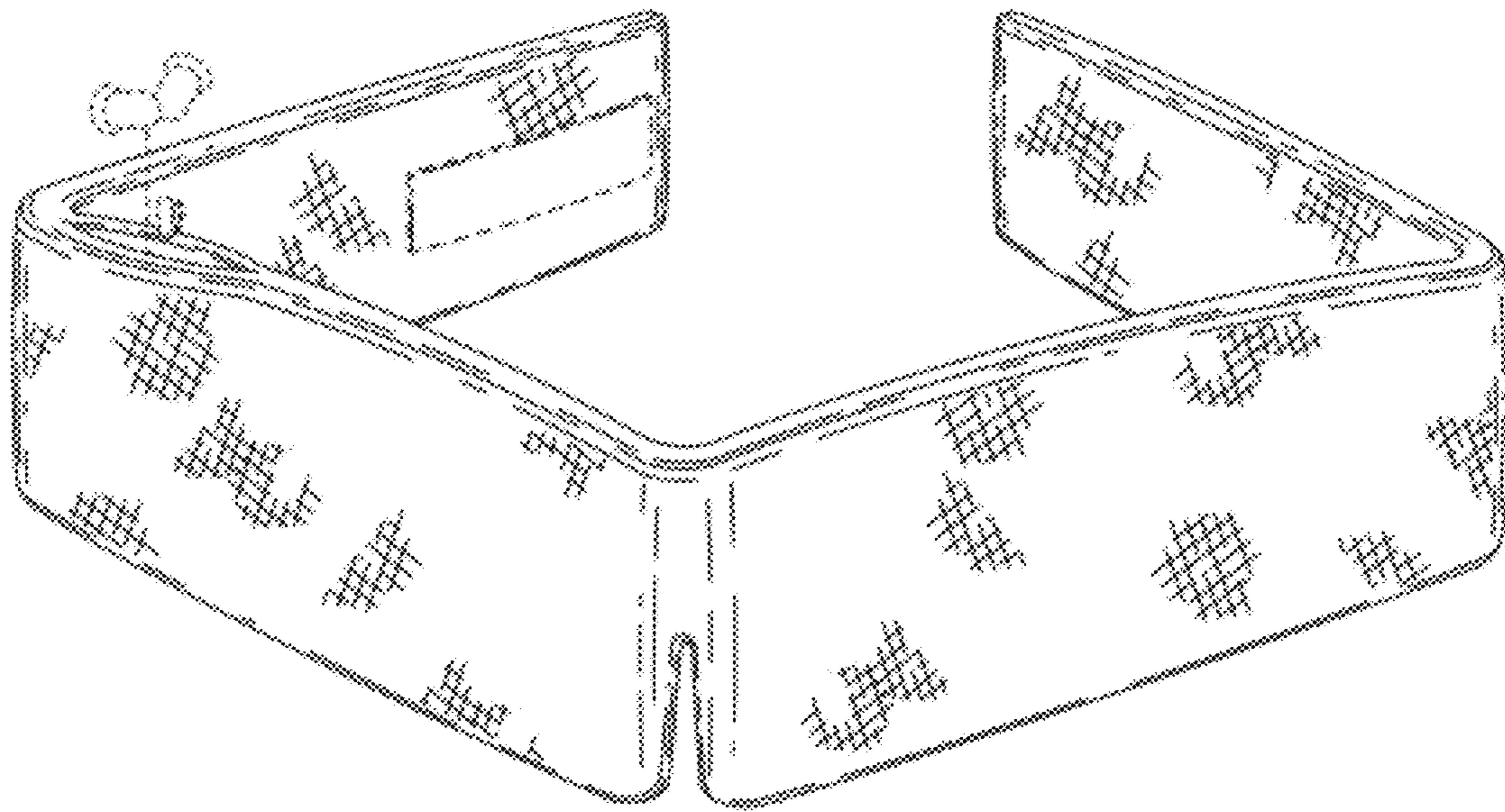
The ornamental design for a sleep mask with pocket, as shown and described.

**DESCRIPTION**

FIG. 1 is a perspective view showing an exemplary embodiment of our new sleep mask with pocket design; FIG. 2 is a front view thereof; FIG. 3 is a rear view thereof; FIG. 4 is a right side view thereof; FIG. 5 is a left side view thereof; FIG. 6 is a top view thereof; FIG. 7 is a bottom view thereof; and, FIG. 8 is a perspective view of an exemplary embodiment of the present design removably engaged about a user's head. It should be noted that, pursuant to 37 C.F.R. § 1.152 and MPEP § 1503.02, Part III, broken, dashed, or phantom lines have been used throughout the drawings to illustrate inherent but unclaimed features of our sleep mask with pocket design, which features are expressly not claimed as part of said design, are shown strictly for context, and are unrelated to any indication of the relative importance of such features.

**1 Claim, 4 Drawing Sheets**





*Fig. 1*



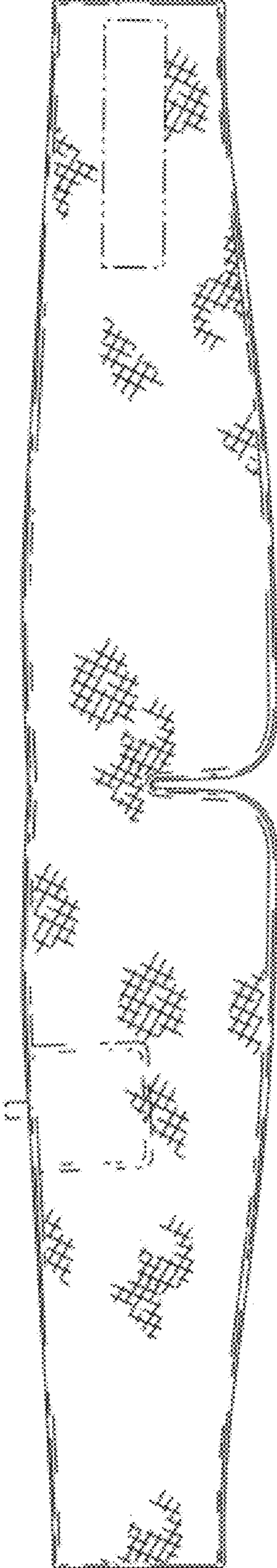


Fig. 2

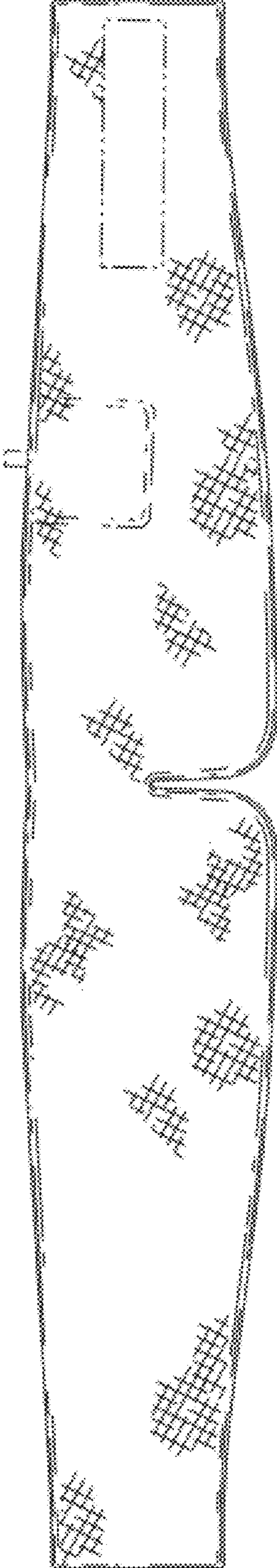
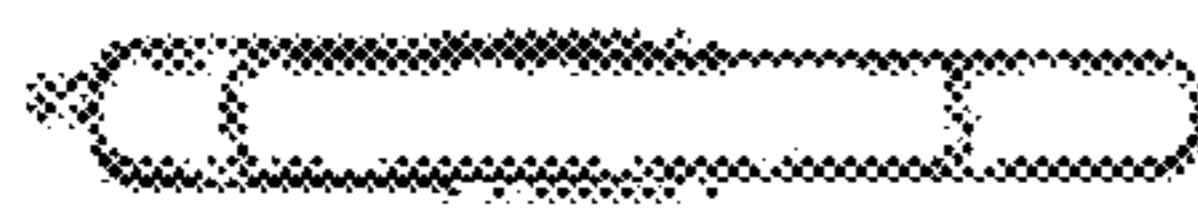


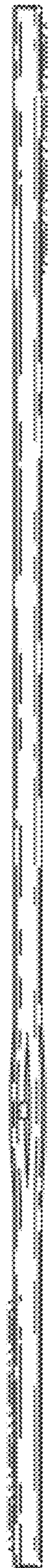
Fig. 3



*Fig. 4*



*Fig. 5*



*Fig. 6*



*Fig. 7*



*Fig. 8*