

US00D668702S

(12) **United States Design Patent**
Azuma et al.

(10) **Patent No.:** **US D668,702 S**

(45) **Date of Patent:** **** Oct. 9, 2012**

(54) **PROJECTOR**

(75) Inventors: **Sadayoshi Azuma**, Kyoto (JP);
Ryuichirou Hirose, Osaka (JP)

(73) Assignee: **Panasonic Corporation**, Osaka (JP)

(**) Term: **14 Years**

(21) Appl. No.: **29/394,743**

(22) Filed: **Jun. 21, 2011**

(51) **LOC (9) Cl.** **16-02**

(52) **U.S. Cl.** **D16/230; D16/225**

(58) **Field of Classification Search** D16/205,
D16/208, 221, 225, 230-231, 234; D21/514;
353/115, 119, 122

See application file for complete search history.

(56) **References Cited**

U.S. PATENT DOCUMENTS

D443,884 S *	6/2001	Goto et al.	D16/230
6,886,948 B2 *	5/2005	Nakano	353/119
D515,126 S	2/2006	Morishita et al.		
D545,340 S	6/2007	Azuma		
D553,172 S *	10/2007	Azuma et al.	D16/230
D554,173 S *	10/2007	Naruki	D16/230
D555,696 S *	11/2007	Naruki	D16/230
D556,237 S *	11/2007	On et al.	D16/231

D557,318 S *	12/2007	Nishimura et al.	D16/230
D588,620 S	3/2009	Kawabe et al.		
D637,641 S	5/2011	Lim et al.		
2011/0279784 A1 *	11/2011	Okoshi	353/119

* cited by examiner

Primary Examiner — Wan Laymon

(74) *Attorney, Agent, or Firm* — Panasonic Patent Center

(57) **CLAIM**

We claim the ornamental design for a projector, as shown and described.

DESCRIPTION

FIG. 1 is a top perspective view of a projector of the present invention;

FIG. 2 is a front view thereof;

FIG. 3 is a rear view thereof;

FIG. 4 is a first side view thereof;

FIG. 5 is a second side view thereof;

FIG. 6 is a top view thereof;

FIG. 7 is a bottom view thereof;

FIG. 8 is a perspective view thereof, showing a state in which a top cover is opened; and,

FIG. 9 is a perspective view thereof, showing a state in which a front cover is opened.

Portions of the projector shown in broken lines form no part of the claimed design.

1 Claim, 9 Drawing Sheets

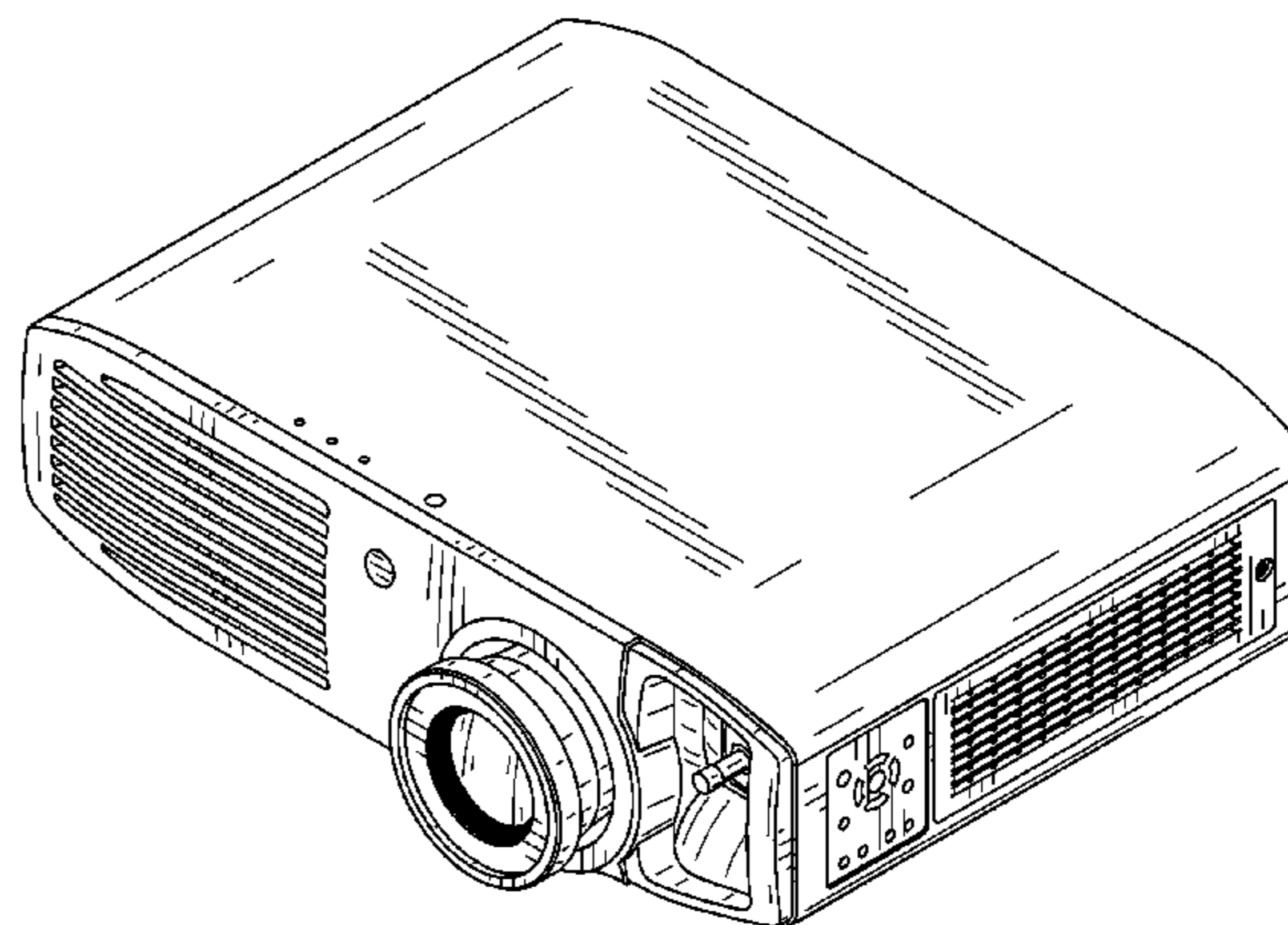
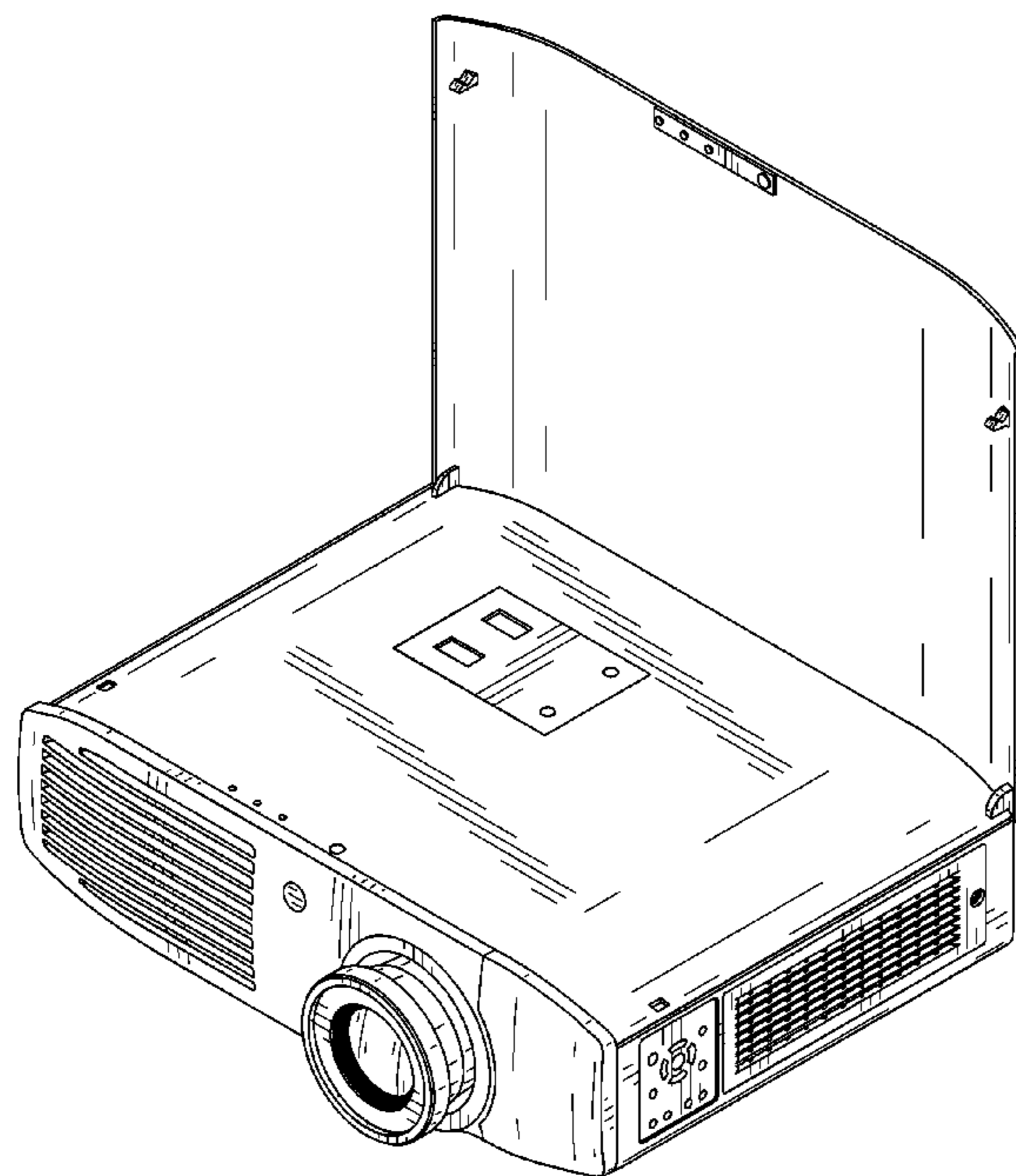


FIG. 1

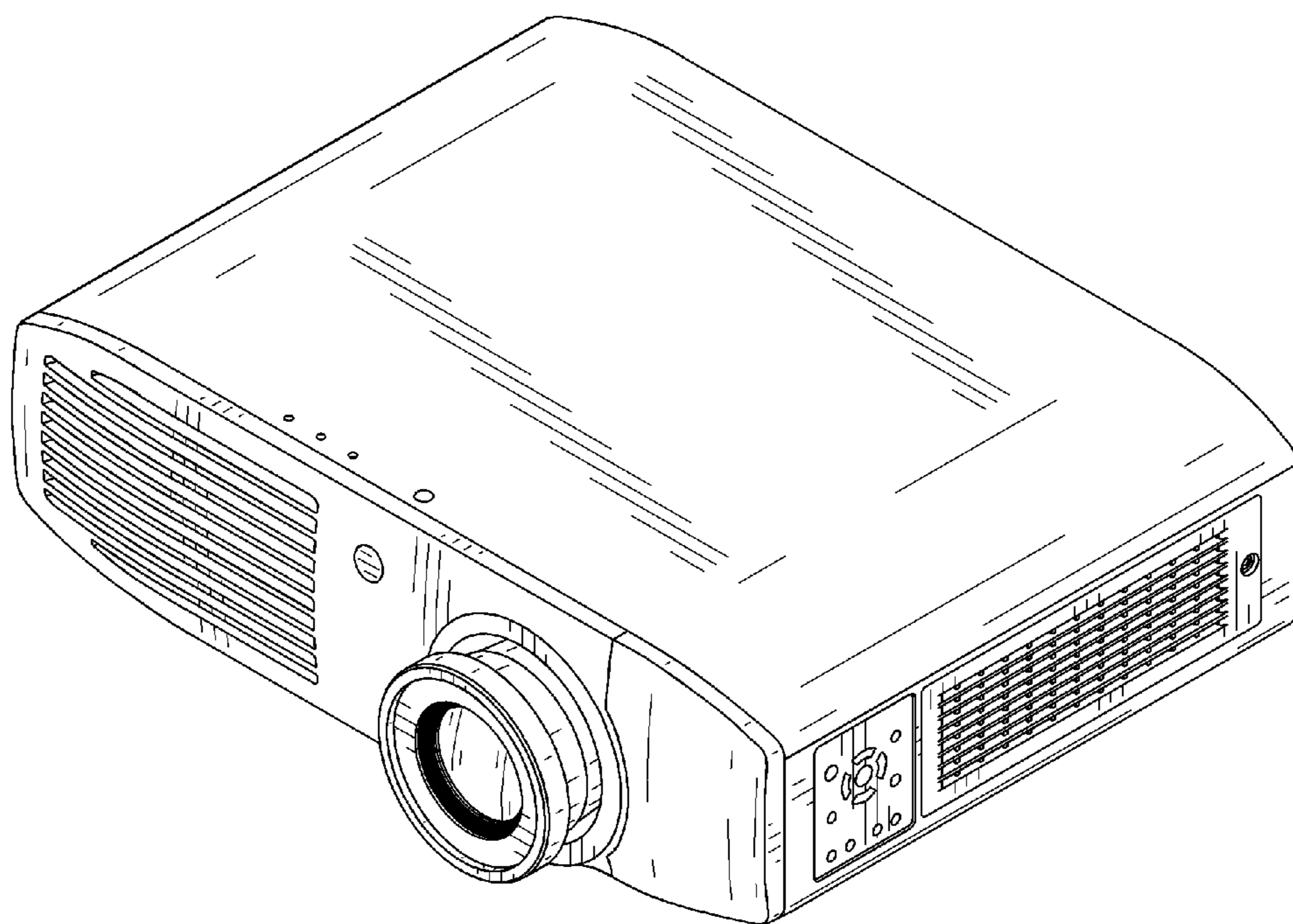


FIG. 2

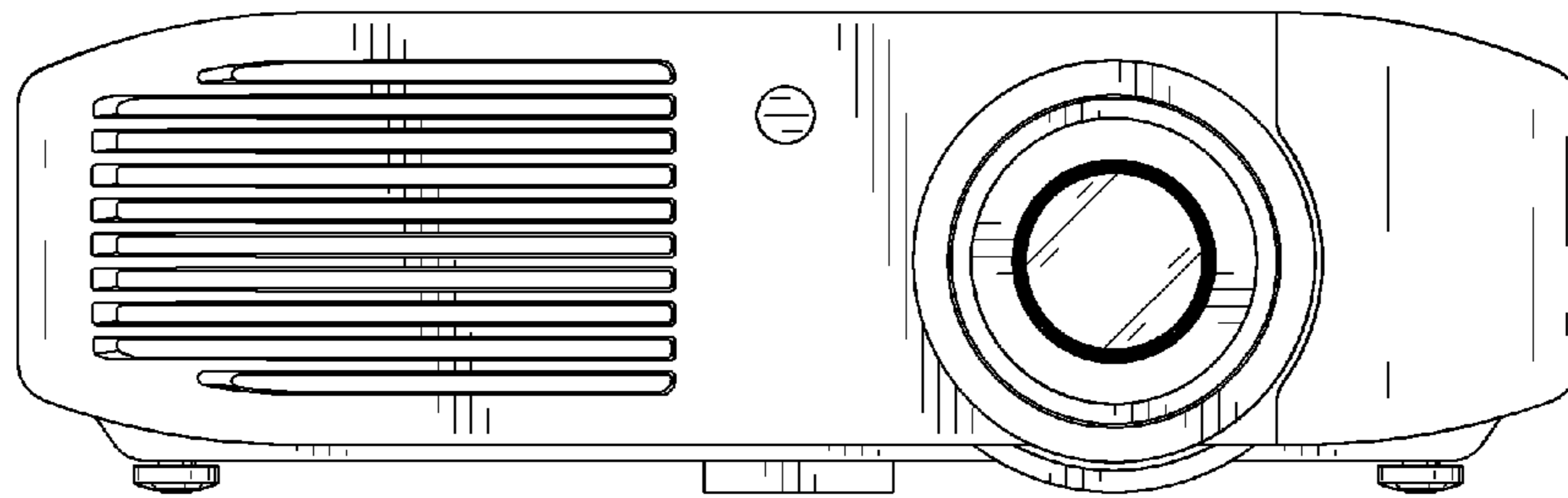


FIG. 3

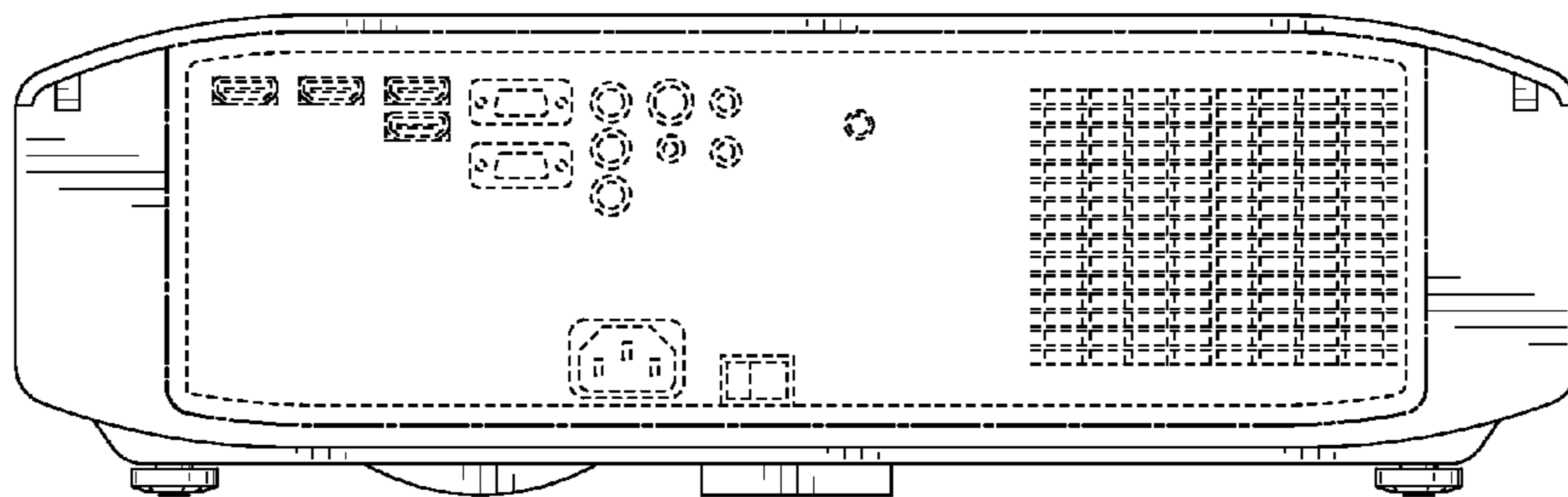


FIG. 4



FIG. 5

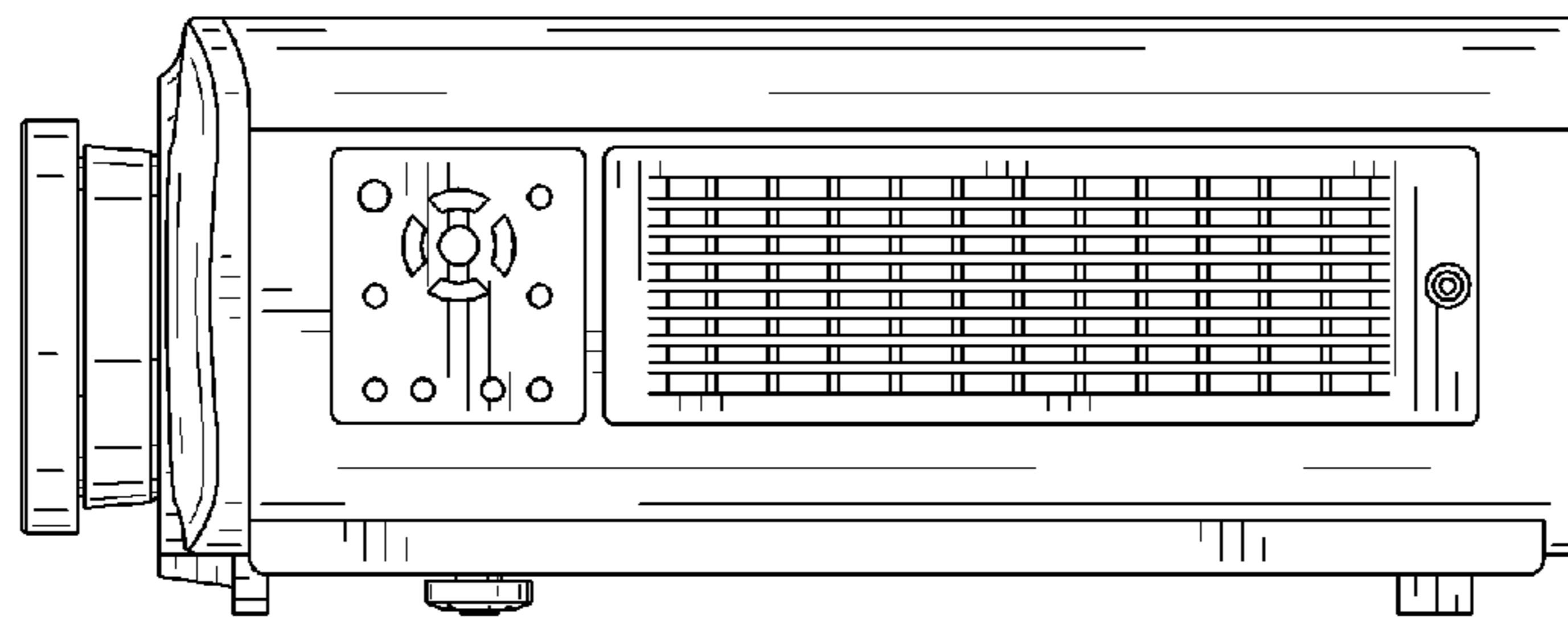


FIG. 6

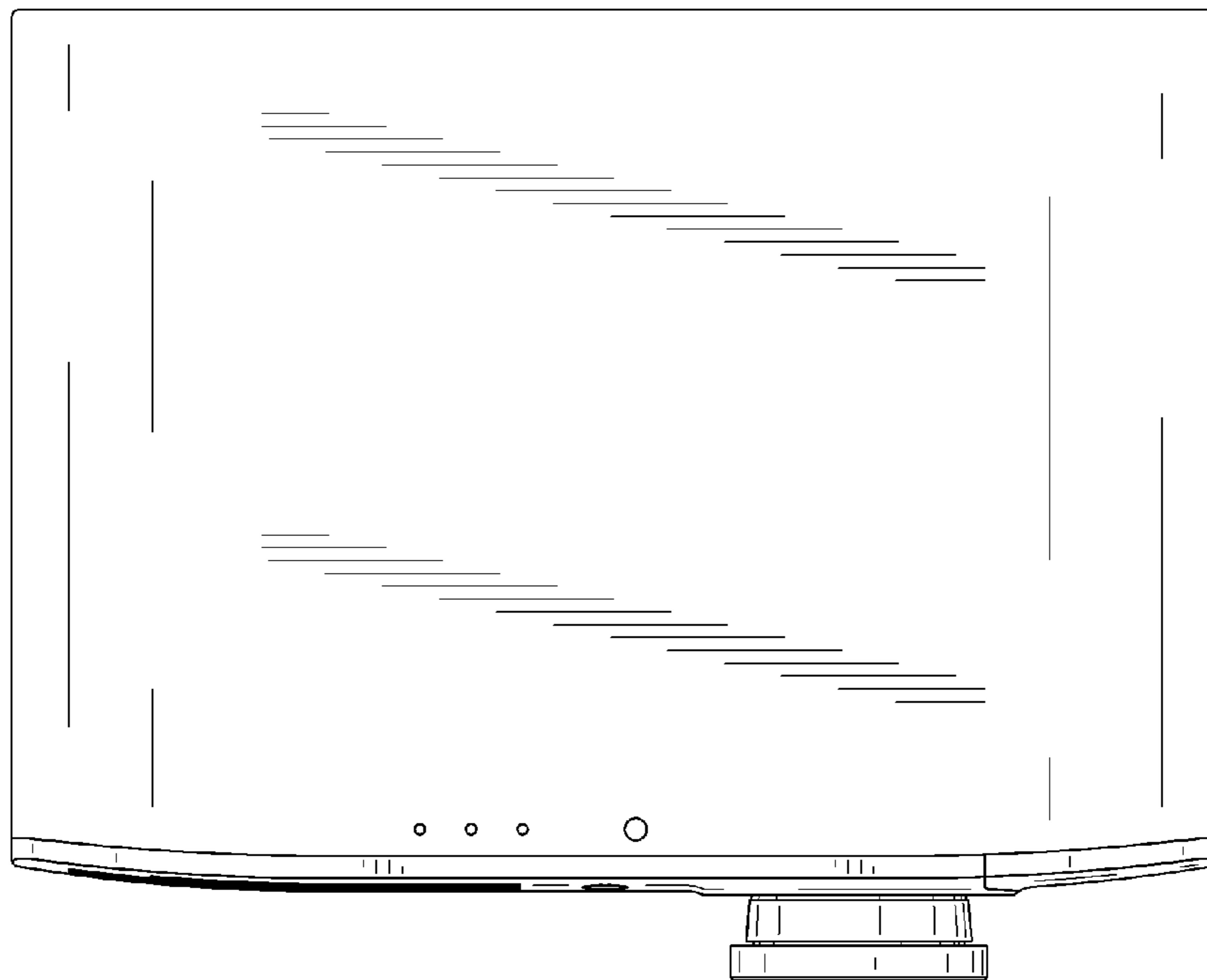


FIG. 7

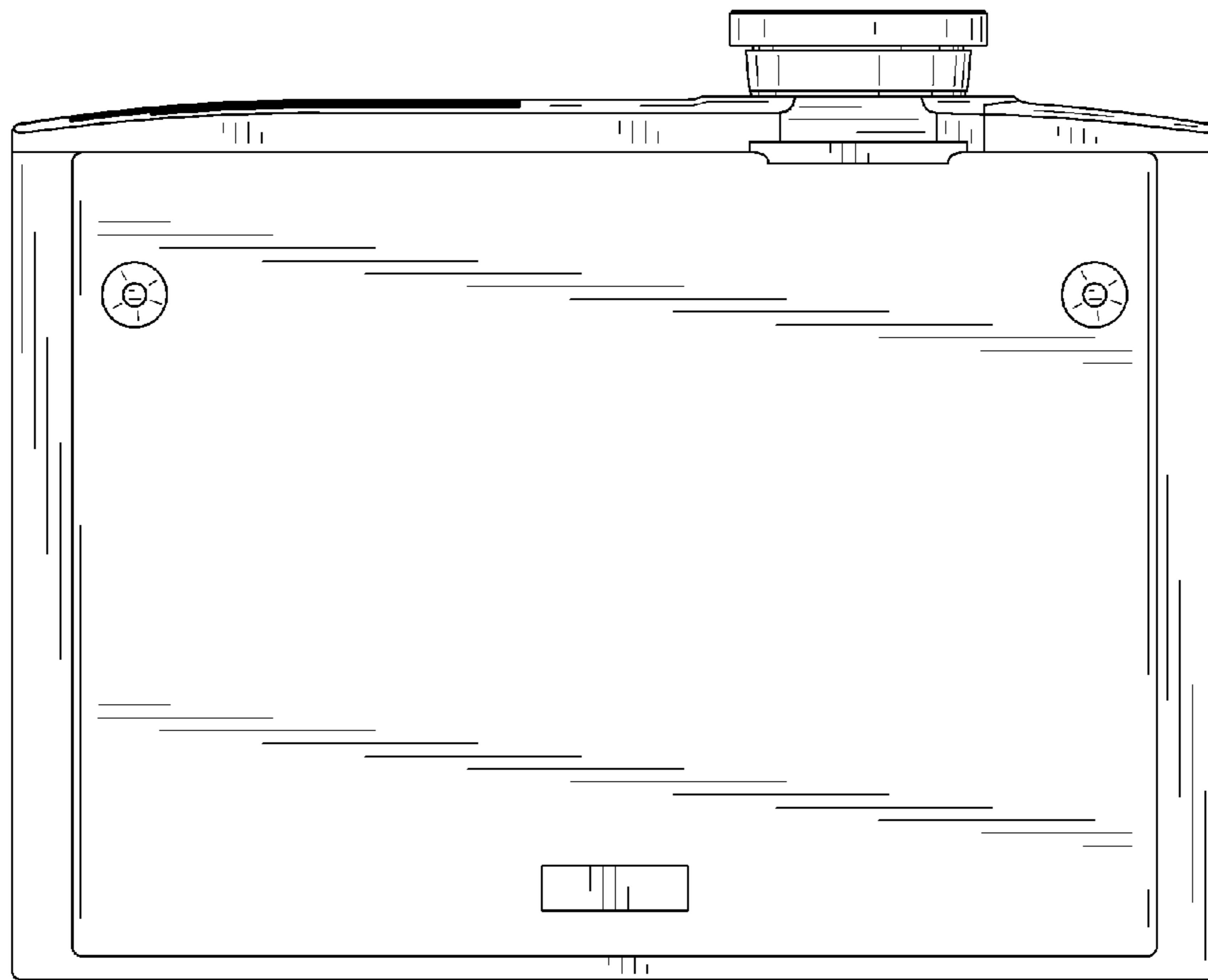


FIG. 8

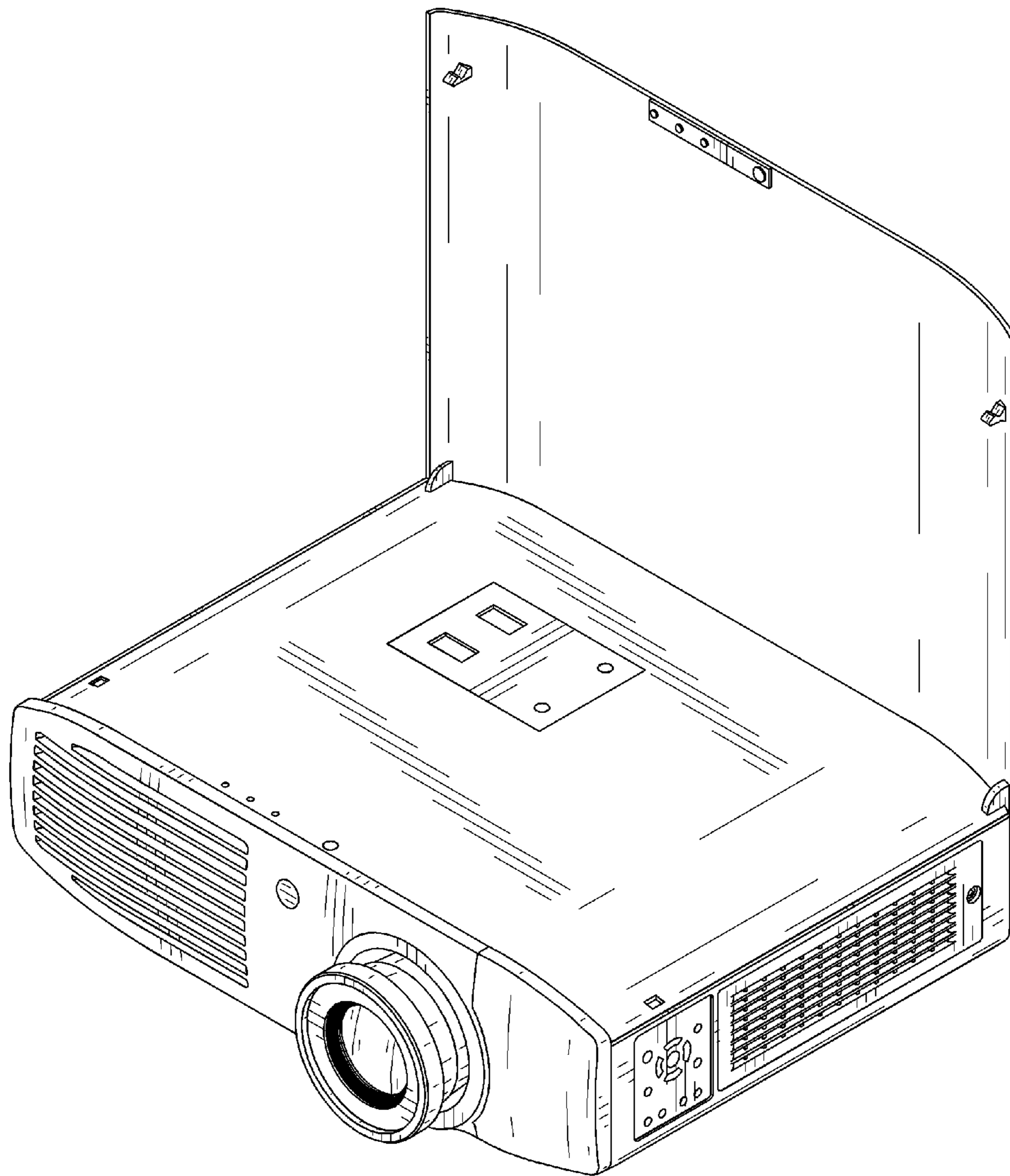


FIG. 9

