

US00D668701S

(12) **United States Design Patent**  
**Ohno et al.**

(10) **Patent No.:** **US D668,701 S**  
(45) **Date of Patent:** **\*\* Oct. 9, 2012**

(54) **SURVEILLANCE CAMERA**  
(75) Inventors: **Akio Ohno**, Fukuoka (JP); **Tetsuro Kajino**, Fukuoka (JP); **Jyouji Wada**, Kanagawa (JP)  
(73) Assignee: **Panasonic Corporation**, Osaka (JP)

D603,441 S 11/2009 Wada et al.  
7,651,281 B2 \* 1/2010 Wen ..... 396/427  
7,815,379 B2 \* 10/2010 Sato ..... 396/427  
D630,665 S \* 1/2011 Yamakawa ..... D16/219  
D633,931 S \* 3/2011 Ham ..... D16/203  
7,955,006 B1 \* 6/2011 Harvey ..... 396/427  
D662,120 S \* 6/2012 Deurwaarder ..... D16/203  
2007/0126871 A1 \* 6/2007 Henninger et al. .... 348/151

(\*\*) Term: **14 Years**  
(21) Appl. No.: **29/403,194**  
(22) Filed: **Oct. 3, 2011**

**FOREIGN PATENT DOCUMENTS**

JP D978850 4/1997  
JP D1033472 3/1999  
JP D1095114 12/2000

\* cited by examiner

(30) **Foreign Application Priority Data**  
Apr. 11, 2011 (JP) ..... 2011-008245  
(51) **LOC (9) Cl.** ..... **16-05**  
(52) **U.S. Cl.** ..... **D16/219; D16/203**  
(58) **Field of Classification Search** ..... D16/200,  
D16/203, 208, 218, 219; 348/143, 151, 373-376;  
396/427, 535-541  
See application file for complete search history.

*Primary Examiner* — Adir Aronovich  
(74) *Attorney, Agent, or Firm* — Brinks Hofer Gilson & Lione

(57) **CLAIM**  
We claim the ornamental design for a surveillance camera, as shown and described.

**DESCRIPTION**

FIG. 1 is a bottom perspective view of a surveillance camera of the present invention;  
FIG. 2 is a front elevational view thereof;  
FIG. 3 is a rear elevational view thereof;  
FIG. 4 is a left side elevational view thereof;  
FIG. 5 is a right side elevational view thereof;  
FIG. 6 is a top plan view thereof; and,  
FIG. 7 is a bottom plan view thereof.  
The portions of the surveillance camera in broken lines are shown for illustrative purposes only and form no part of the claimed design.

(56) **References Cited**  
**U.S. PATENT DOCUMENTS**  
D388,450 S 12/1997 Hamano et al.  
6,268,882 B1 \* 7/2001 Elberbaum ..... 348/151  
6,525,766 B1 \* 2/2003 Ikoma et al. .... 348/143  
6,678,001 B1 \* 1/2004 Elberbaum ..... 348/373  
D497,927 S 11/2004 Arbuckle et al.  
D543,567 S \* 5/2007 Kato et al. .... D16/203  
D547,347 S 7/2007 Kim  
D560,244 S 1/2008 Naruki  
D562,869 S 2/2008 Asai  
7,609,321 B2 \* 10/2009 Yamane ..... 348/373

**1 Claim, 7 Drawing Sheets**

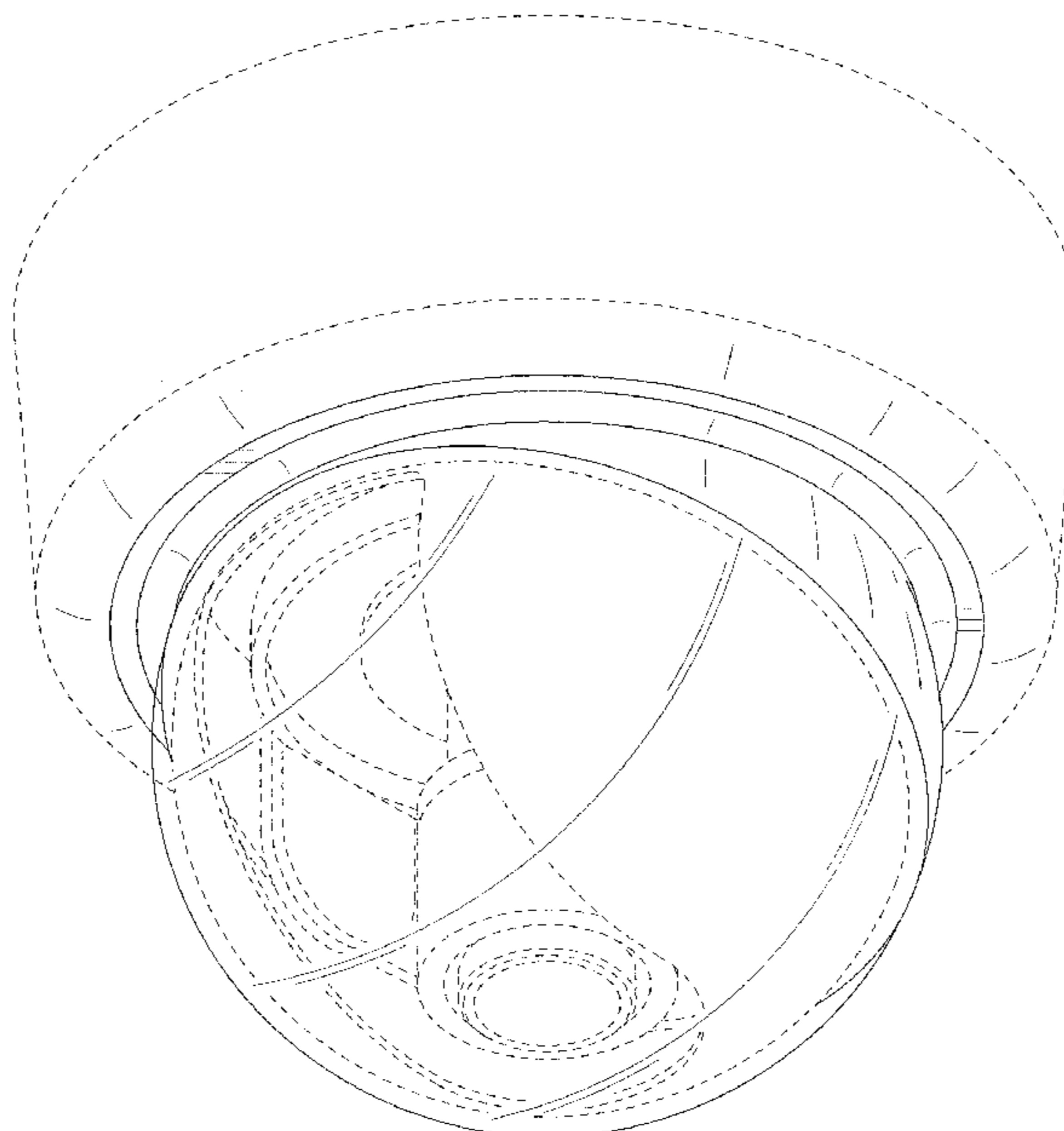


FIG. 1

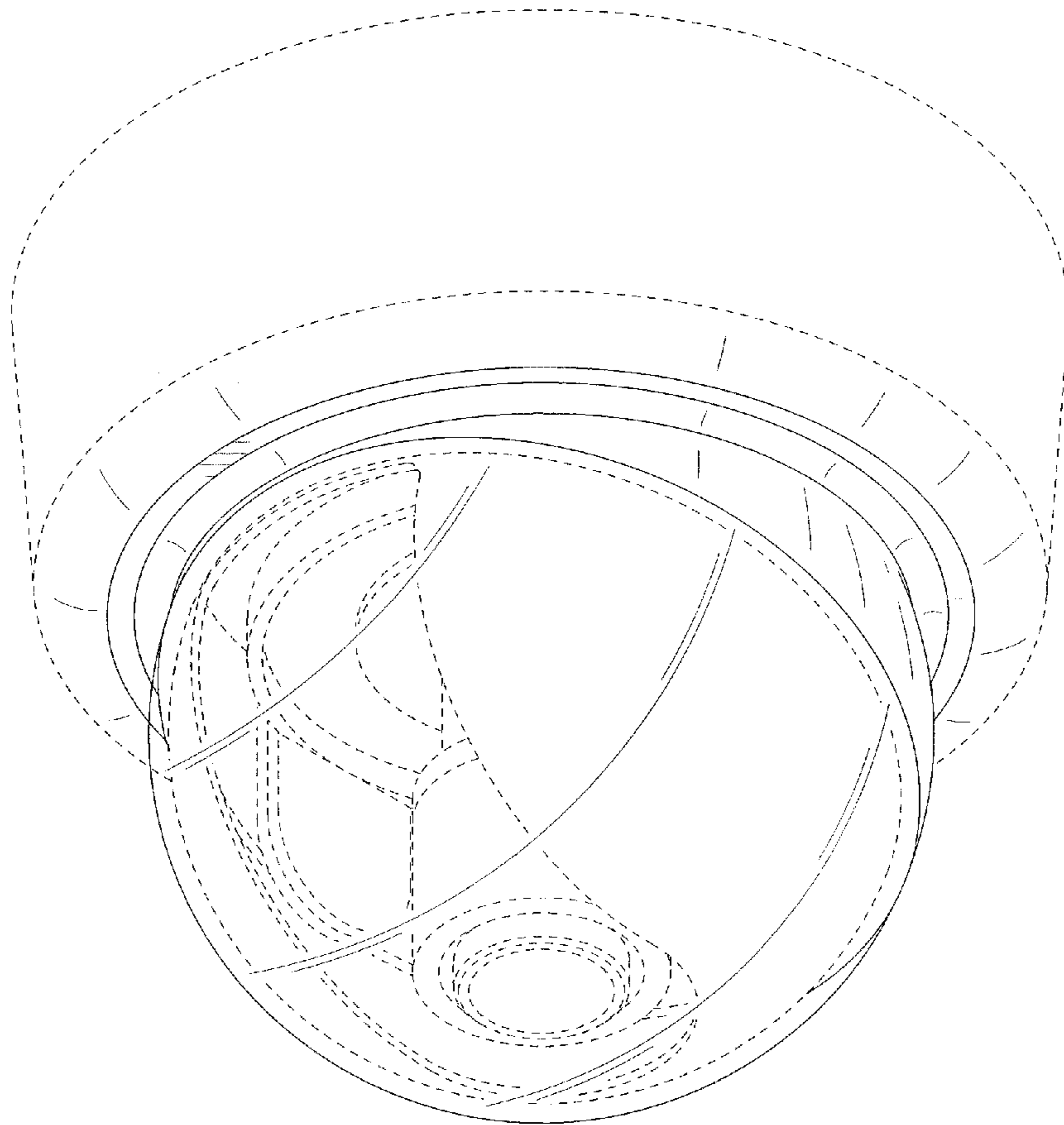


FIG. 2

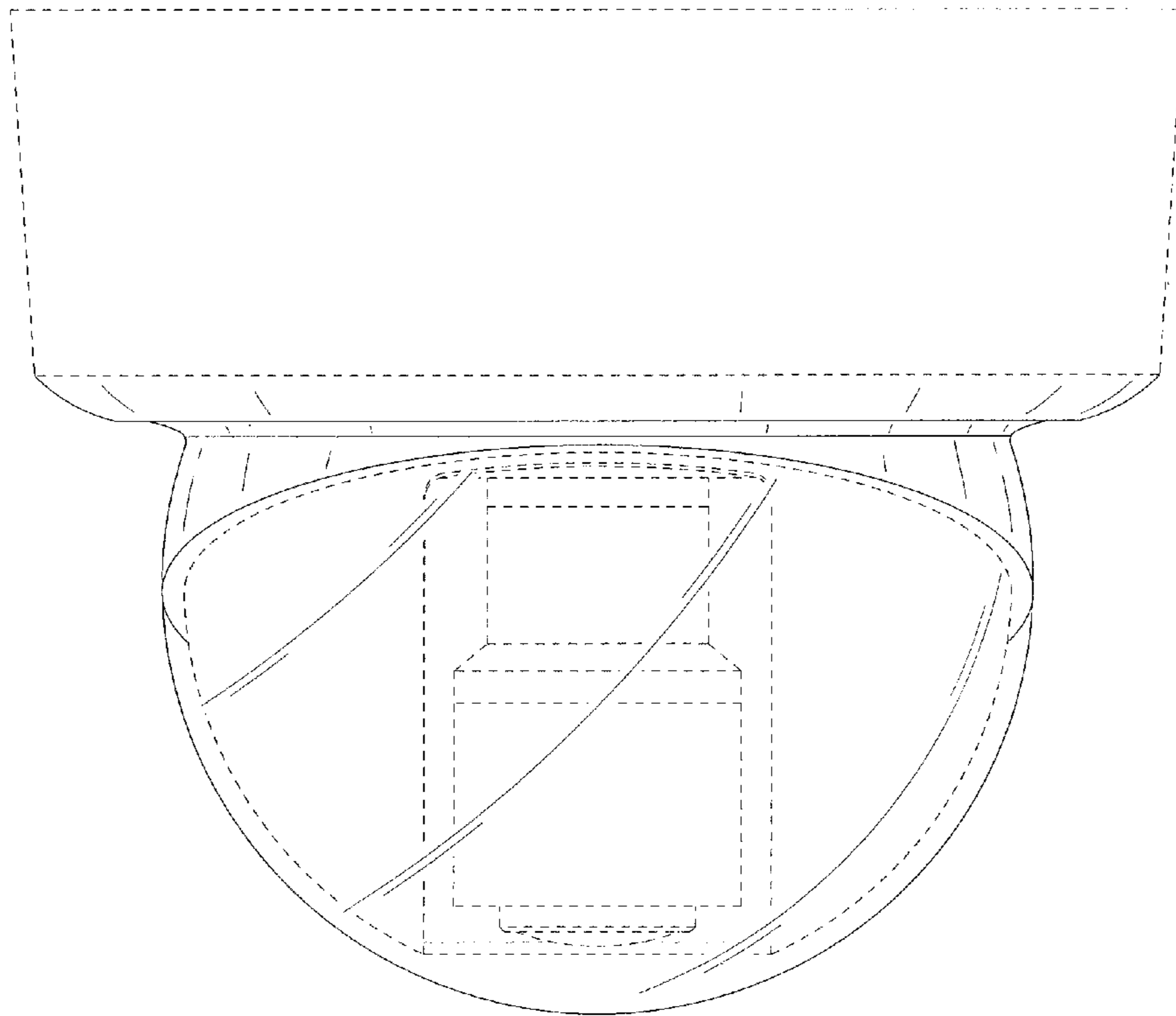


FIG. 3

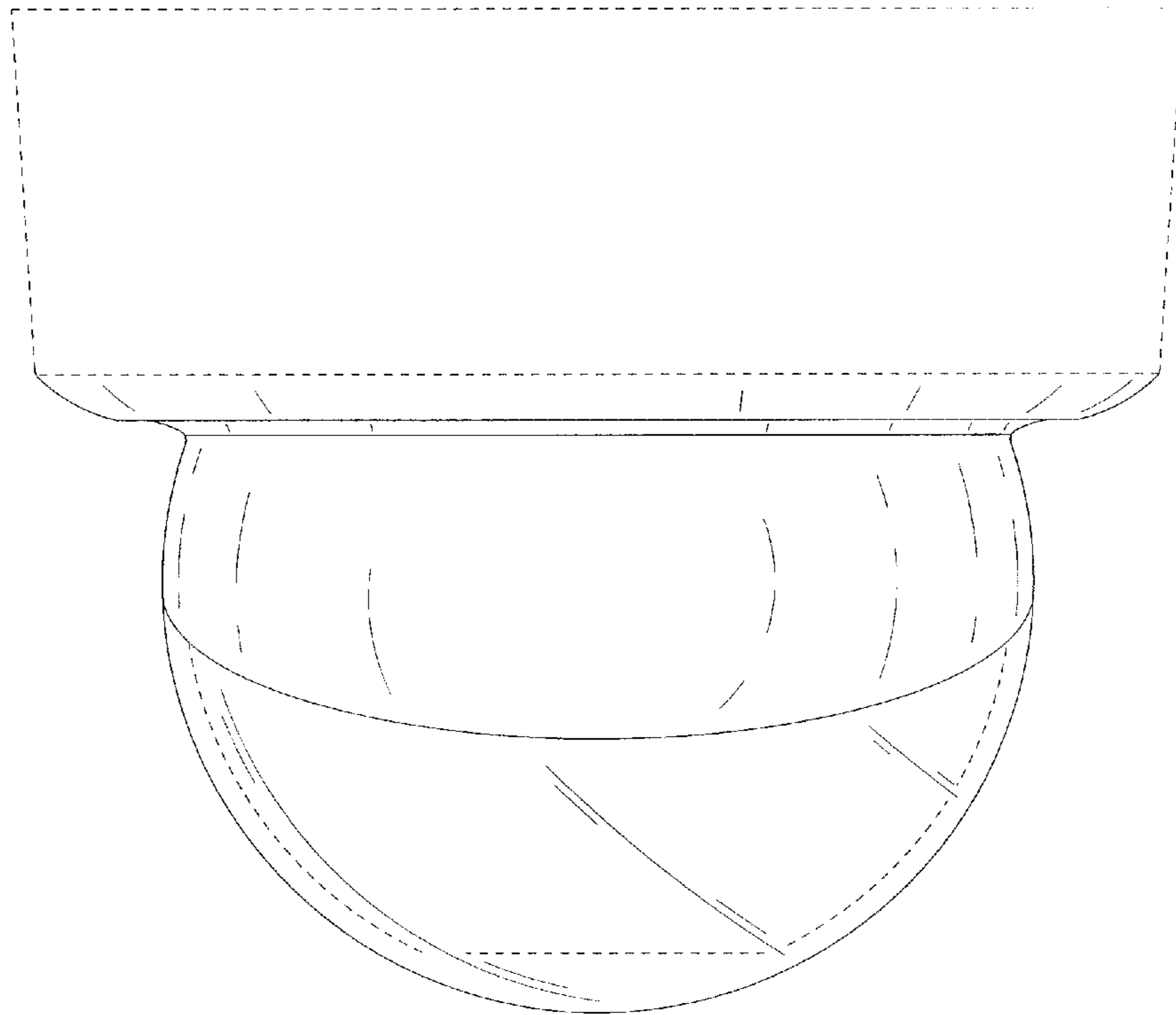


FIG. 4

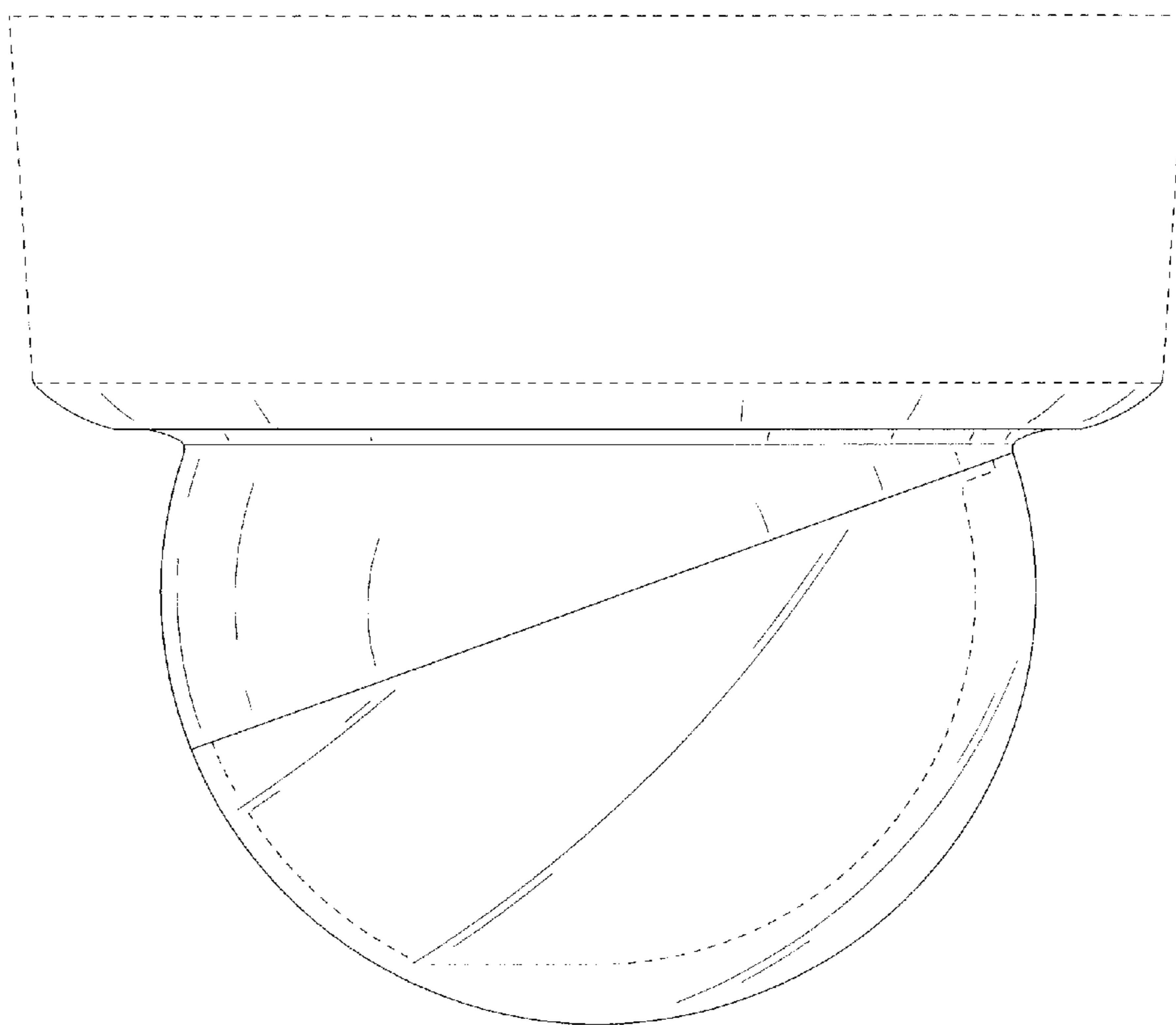


FIG. 5

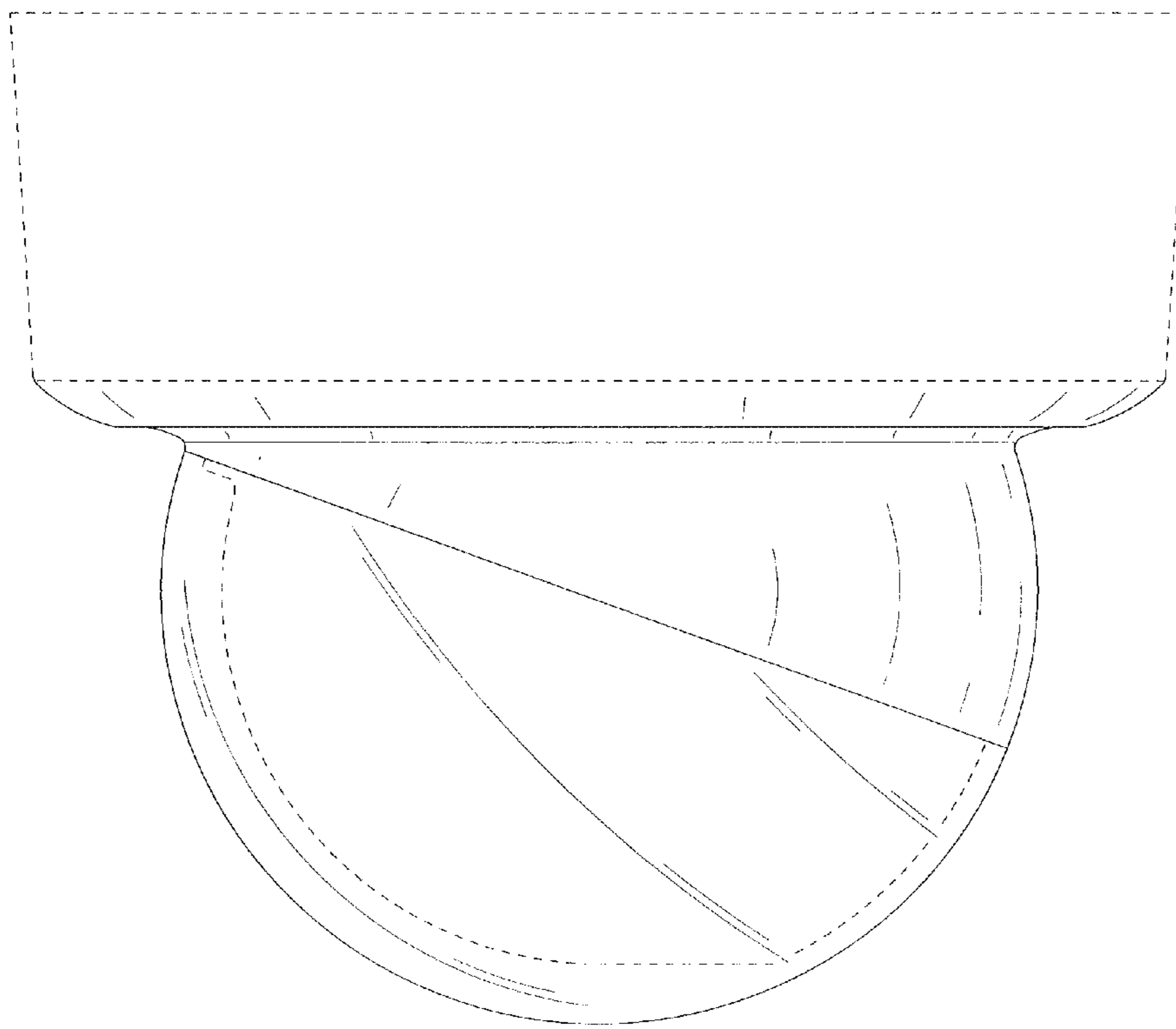


FIG. 6

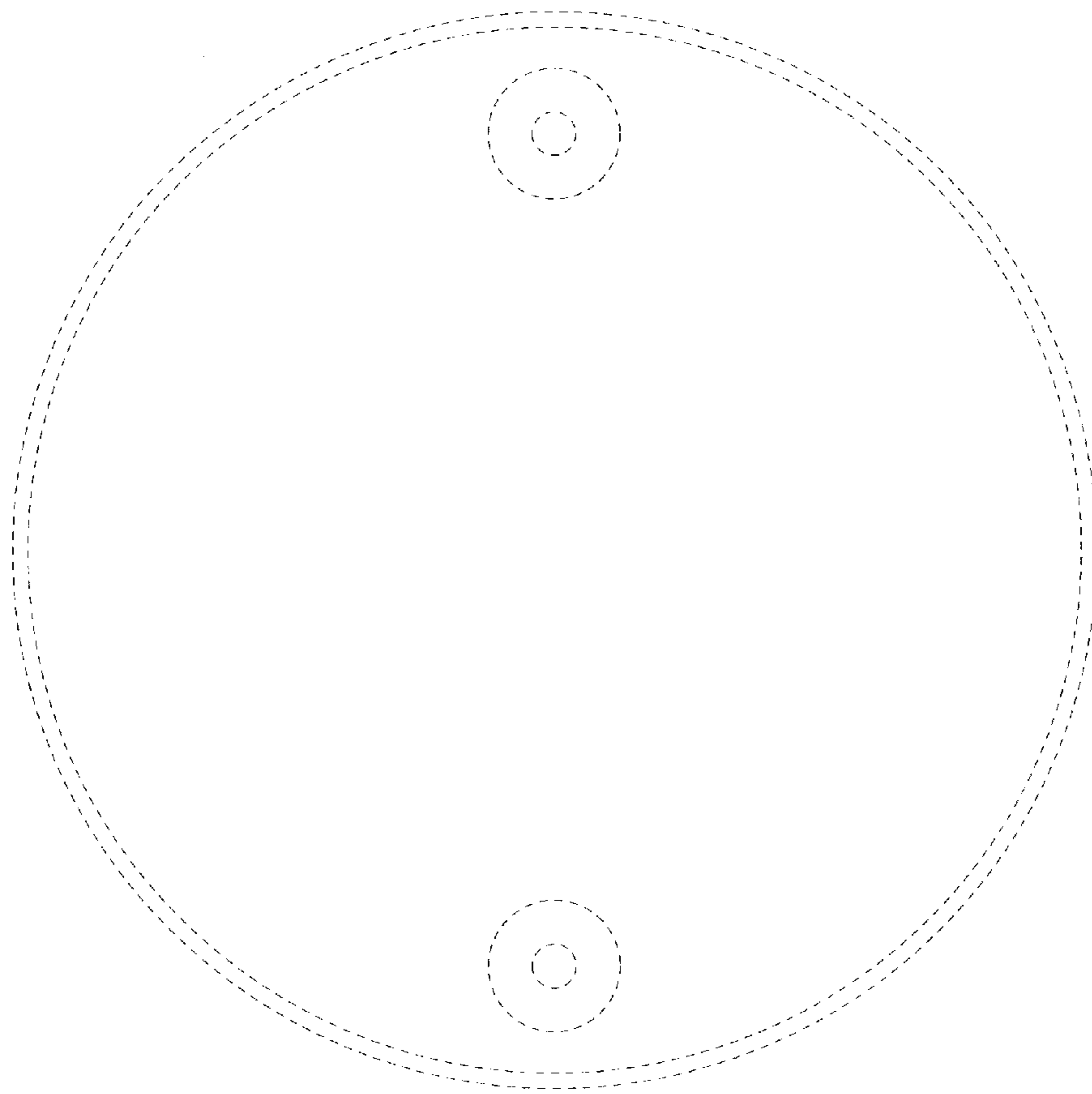


FIG. 7

