



US00D668700S

(12) **United States Design Patent**
Jim

(10) **Patent No.:** **US D668,700 S**

(45) **Date of Patent:** **** Oct. 9, 2012**

(54) **SLIM LED FRESNEL MAGNIFIER**

(76) Inventor: **Shiu-fai Jim**, Hong Kong (CN)

(**) Term: **14 Years**

(21) Appl. No.: **29/370,022**

(22) Filed: **May 27, 2010**

(51) **LOC (9) Cl.** **16-06**

(52) **U.S. Cl.** **D16/135**

(58) **Field of Classification Search** D16/130,
D16/134, 135, 200, 225; 359/800, 802, 803,
359/804, 808, 810, 813, 817, 811; D21/483,
D21/330, 333; D3/207, 208, 212; D28/77,
D28/83; 206/0.8, 37, 229, 316.1; 220/345.4
See application file for complete search history.

(56) **References Cited**

U.S. PATENT DOCUMENTS

D161,173	S	*	12/1950	Gubics	D16/135
D196,452	S	*	10/1963	Burlin	D16/135
D219,065	S	*	10/1970	Zelnick	D10/62
4,037,940	A	*	7/1977	Yates et al.	359/672
D269,184	S	*	5/1983	Tweedie	D16/135
D275,401	S	*	9/1984	Henkels	D16/135
D394,272	S	*	5/1998	Hon	D16/135
5,754,349	A	*	5/1998	Hon	359/813
D494,692	S	*	8/2004	Jim	D26/37
6,822,813	B2	*	11/2004	Jim	359/802
D553,273	S	*	10/2007	Jim	D26/37
7,414,798	B1	*	8/2008	Yip et al.	359/802
D589,071	S	*	3/2009	Jim	D16/135
D589,546	S	*	3/2009	Levine	D16/135
D594,496	S	*	6/2009	Jim	D16/135
D597,114	S	*	7/2009	Yip et al.	D16/135
D658,697	S	*	5/2012	Jim	D16/135
D658,698	S	*	5/2012	Jim	D16/135

* cited by examiner

Primary Examiner — Paula Greene

(74) *Attorney, Agent, or Firm* — Sonya C. Harris; Invention Services GAFF Myer IPS

(57) **CLAIM**

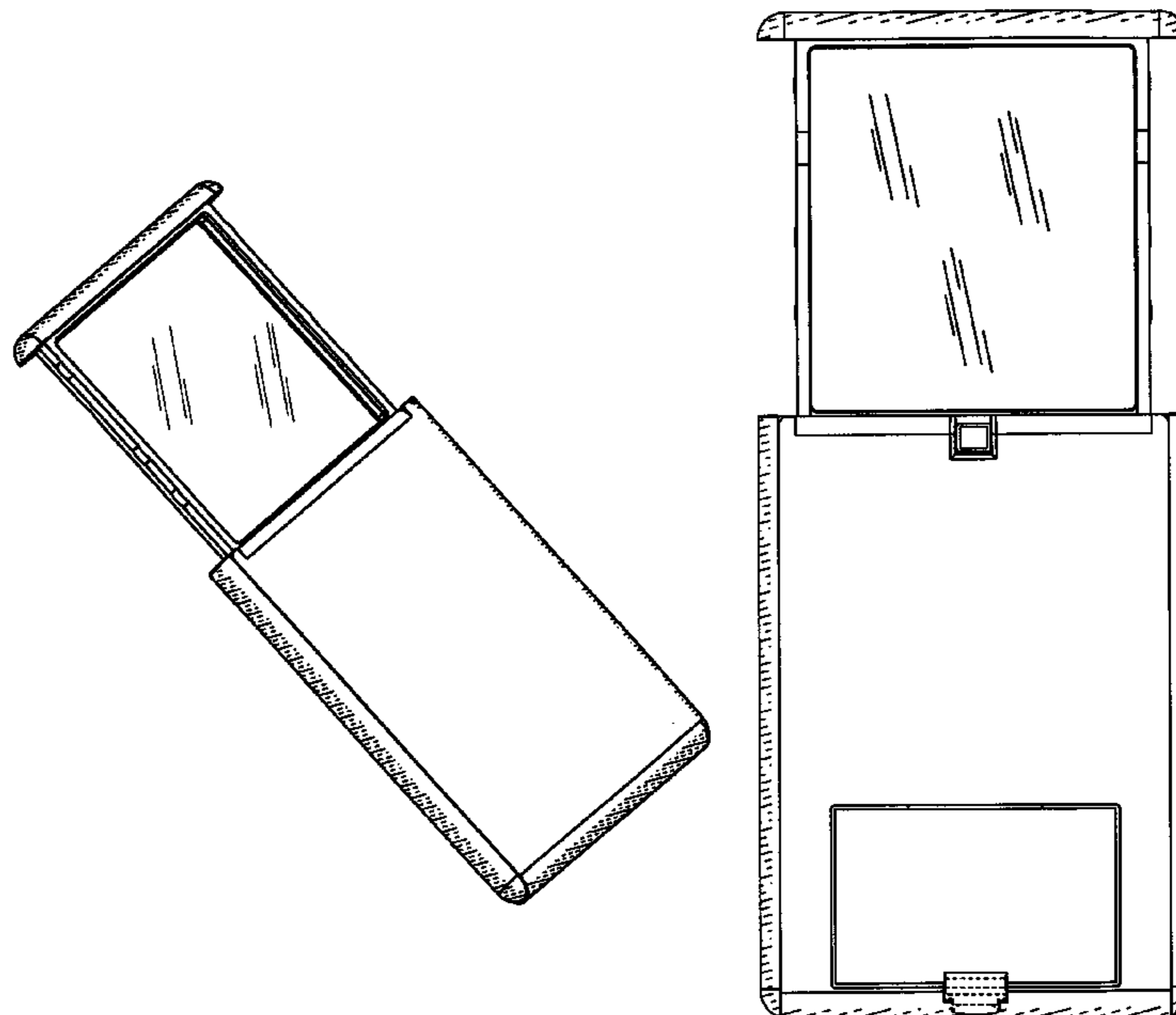
The ornamental design for the slim LED fresnel magnifier, as shown and described.

DESCRIPTION

FIG. 1 is a front perspective view of a slim LED fresnel magnifier showing my new design;
 FIG. 2 is a front elevational view of my design;
 FIG. 3 is a rear elevational view of my design;
 FIG. 4 is a right side elevational view of my design, the left side is a mirror image;
 FIG. 5 is a top plan view of my design;
 FIG. 6 is a bottom plan view of my design;
 FIG. 7 is a rear perspective view of my design;
 FIG. 8 is a front perspective view of my design, in an opened position;
 FIG. 9 is a rear perspective view of my design, in an opened position;
 FIG. 10 is a front elevational of my design, in an opened position;
 FIG. 11 is a right side elevational view of my design, in an opened position;
 FIG. 12 is a left side elevational view of my design, in an opened position; and,
 FIG. 13 is a rear elevational view of my design, in an opened position.

The broken lines form no part of the claimed design.

1 Claim, 6 Drawing Sheets



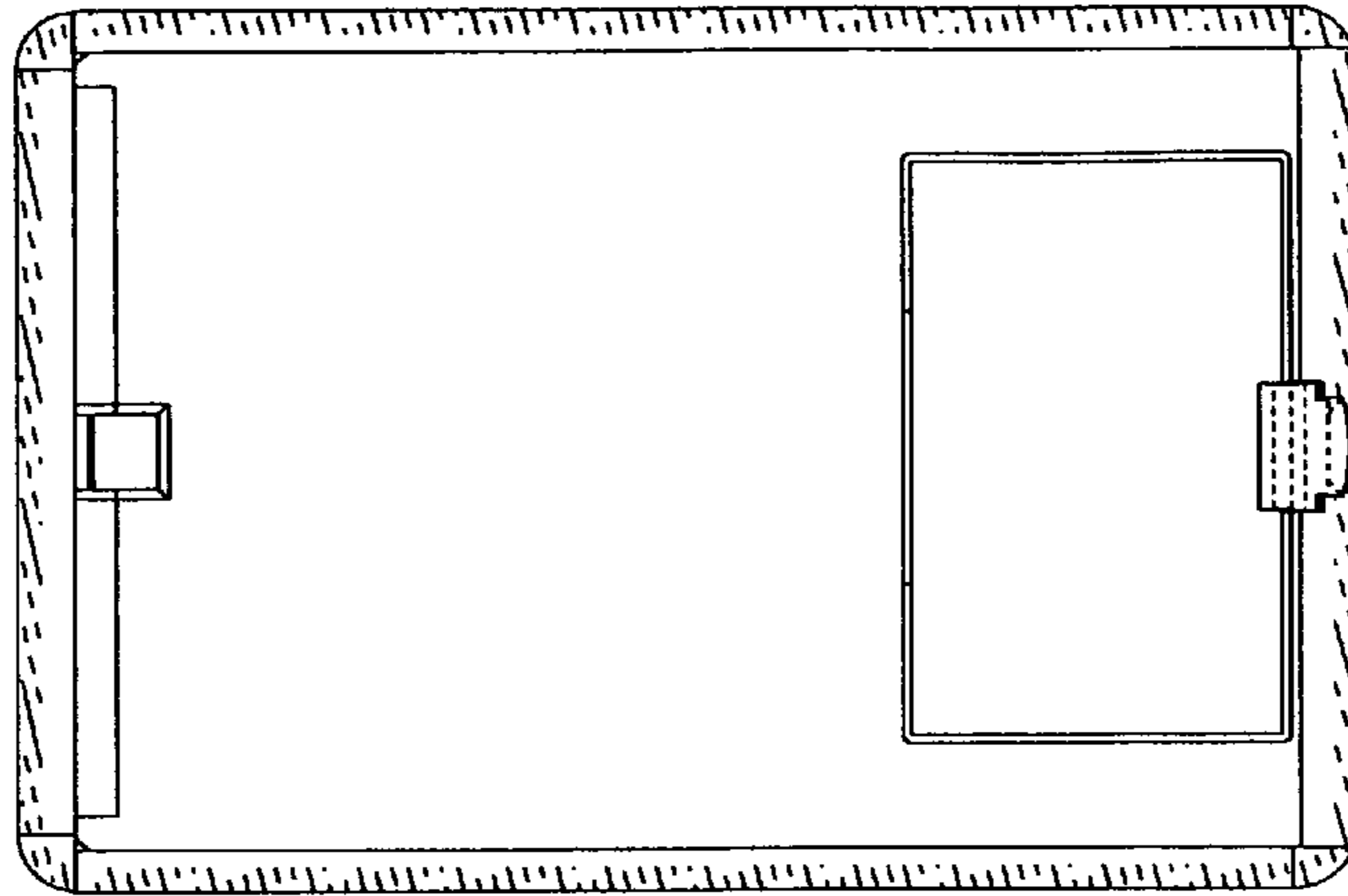


FIG. 2

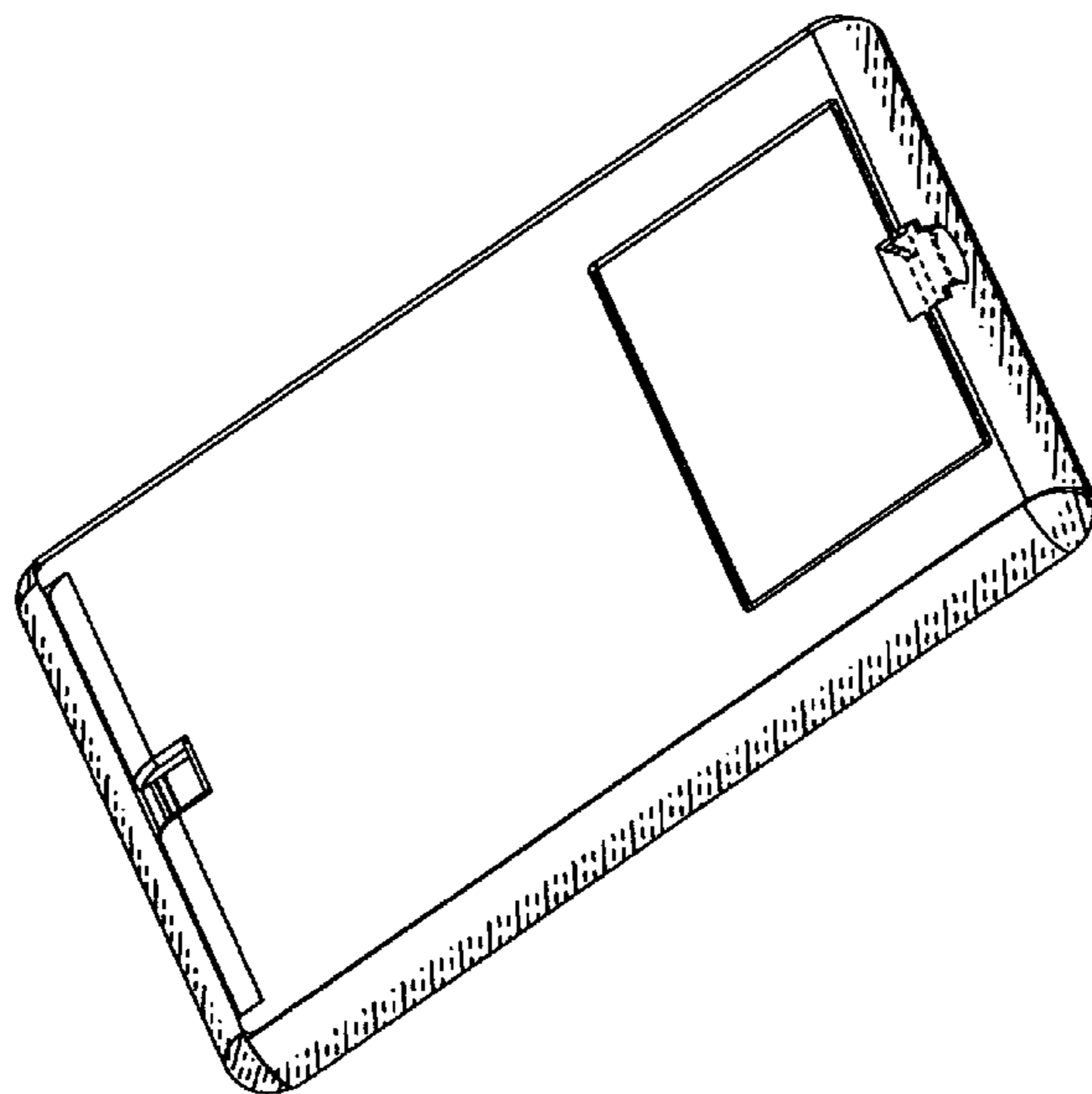


FIG. 1

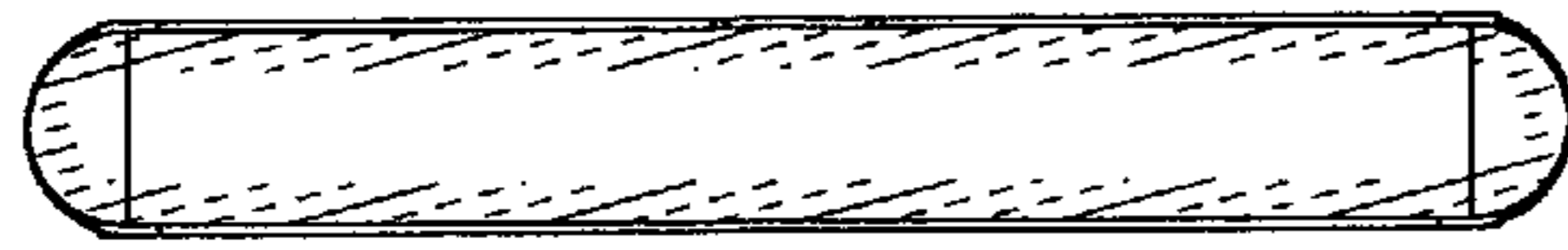


FIG. 5

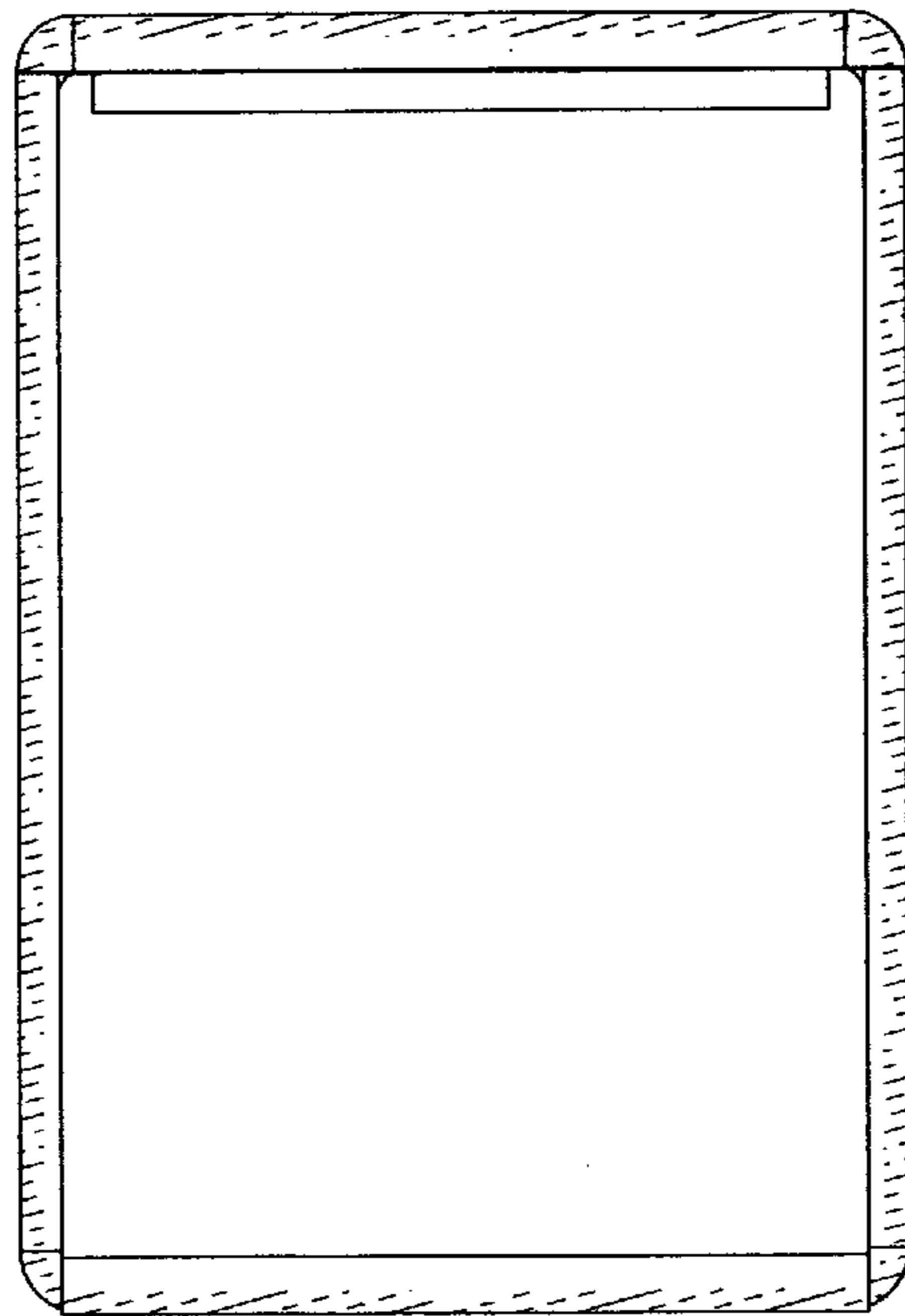


FIG. 3

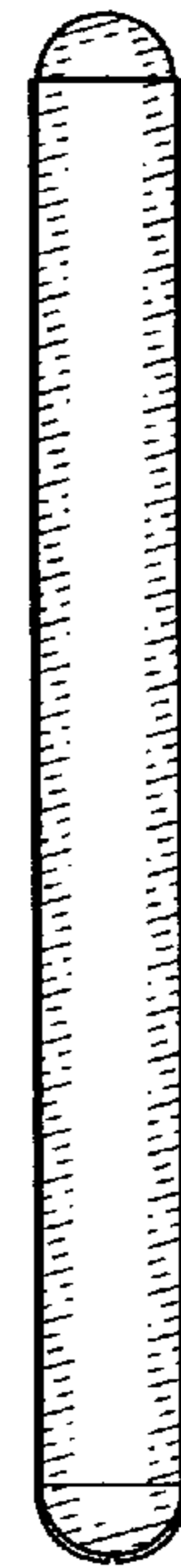


FIG. 4



FIG. 6

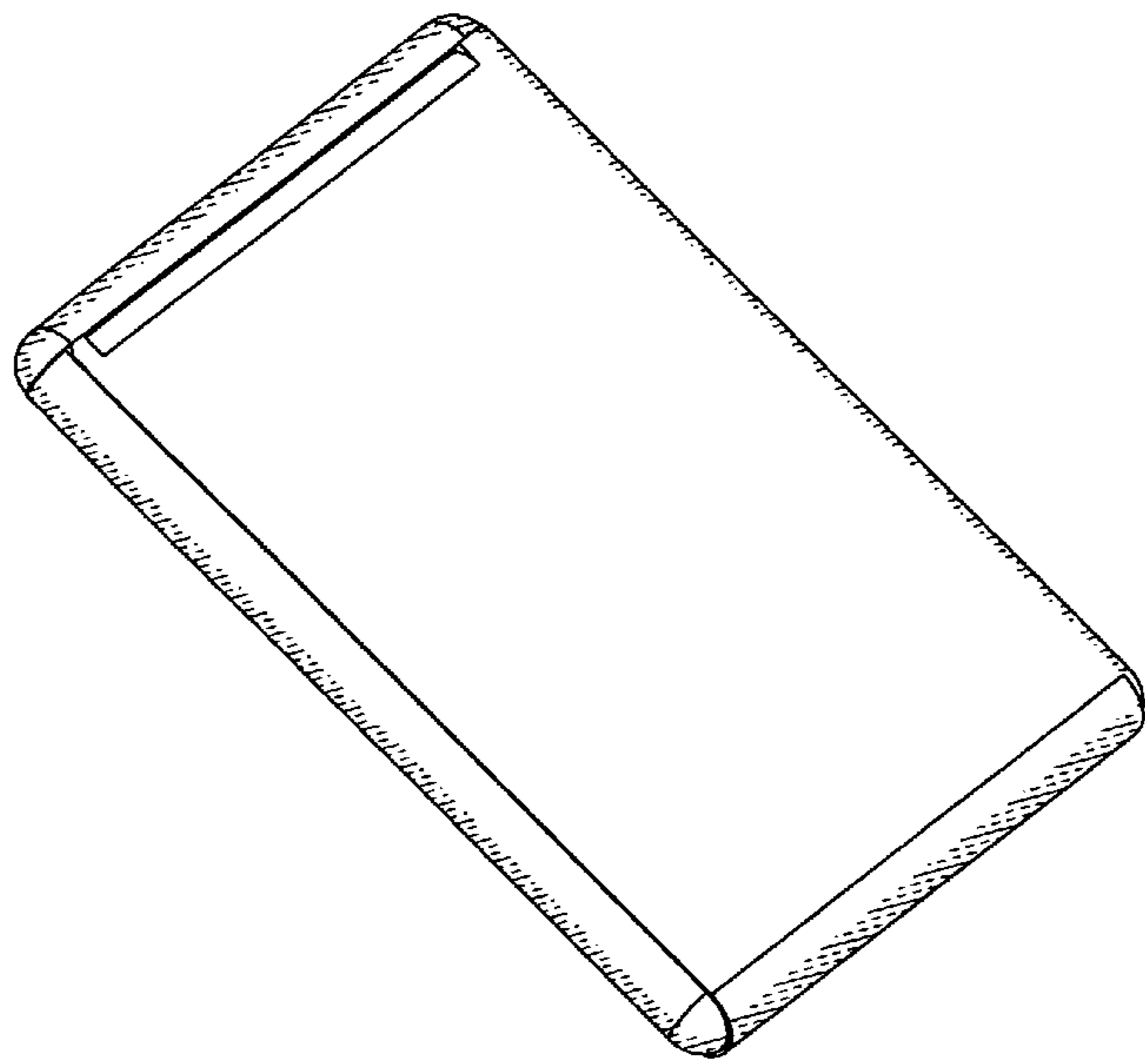


FIG. 7

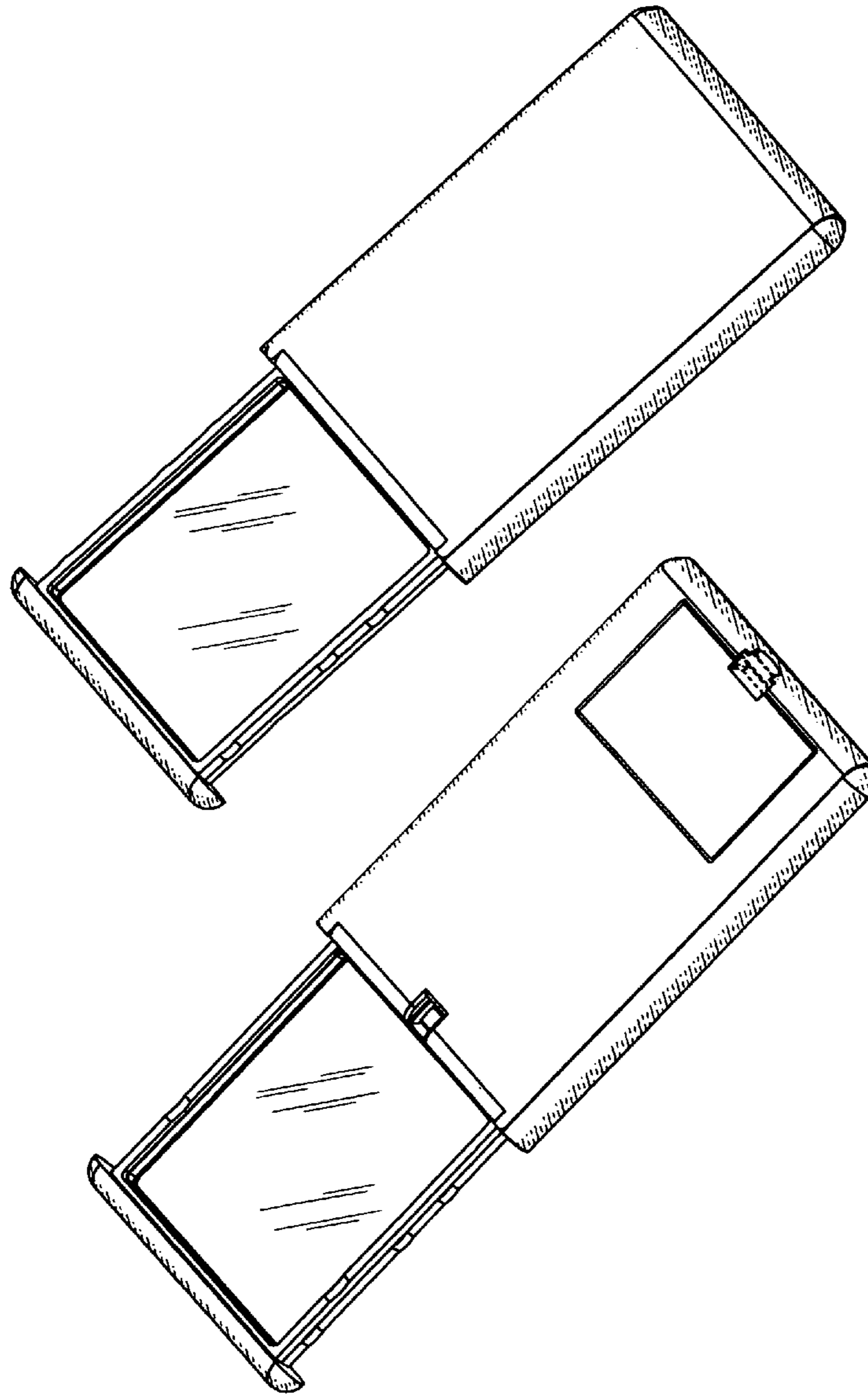


FIG. 9

FIG. 8

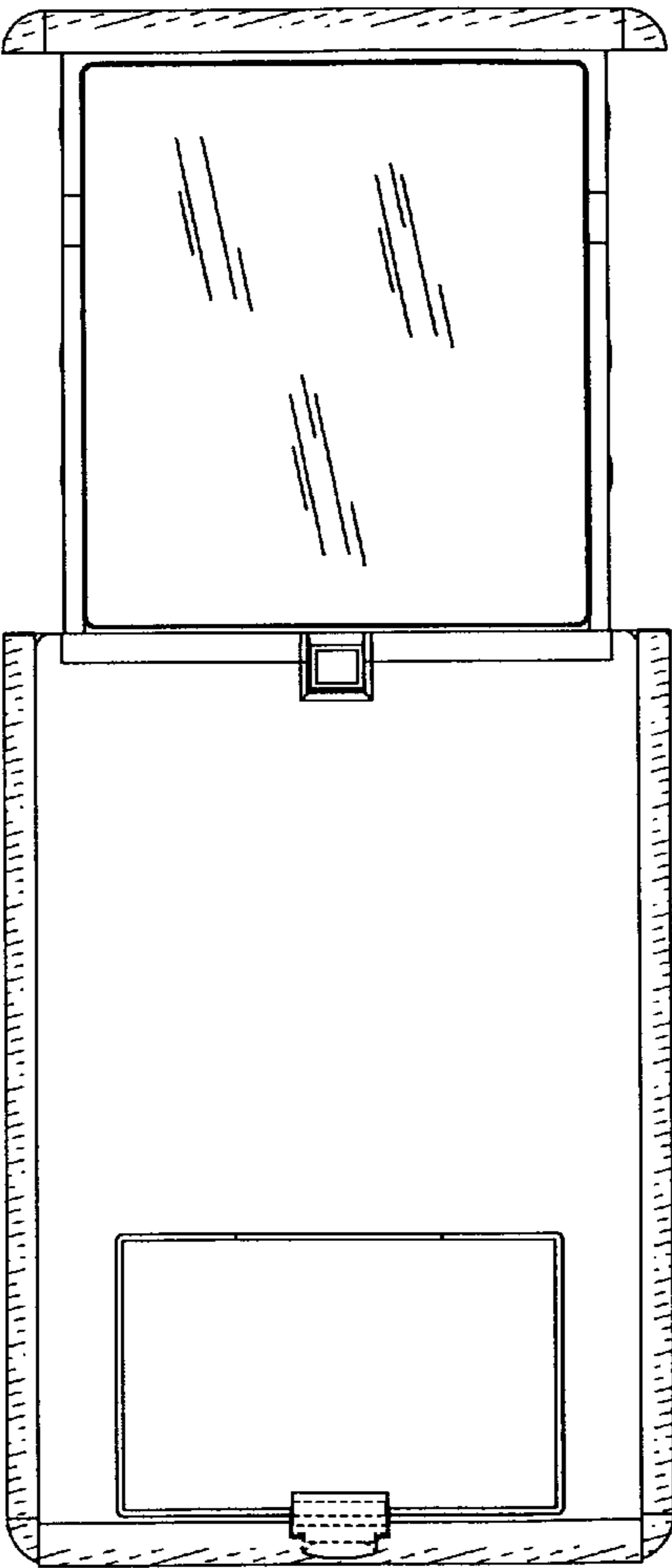


FIG. 10

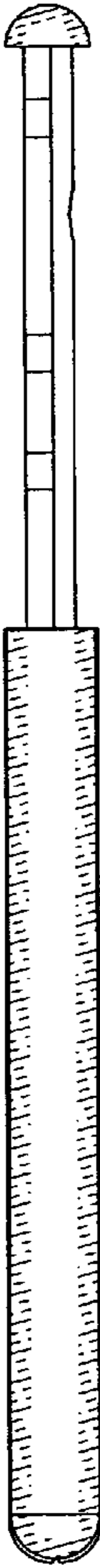


FIG. 11

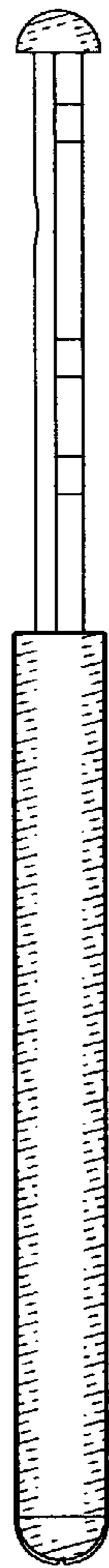


FIG. 12

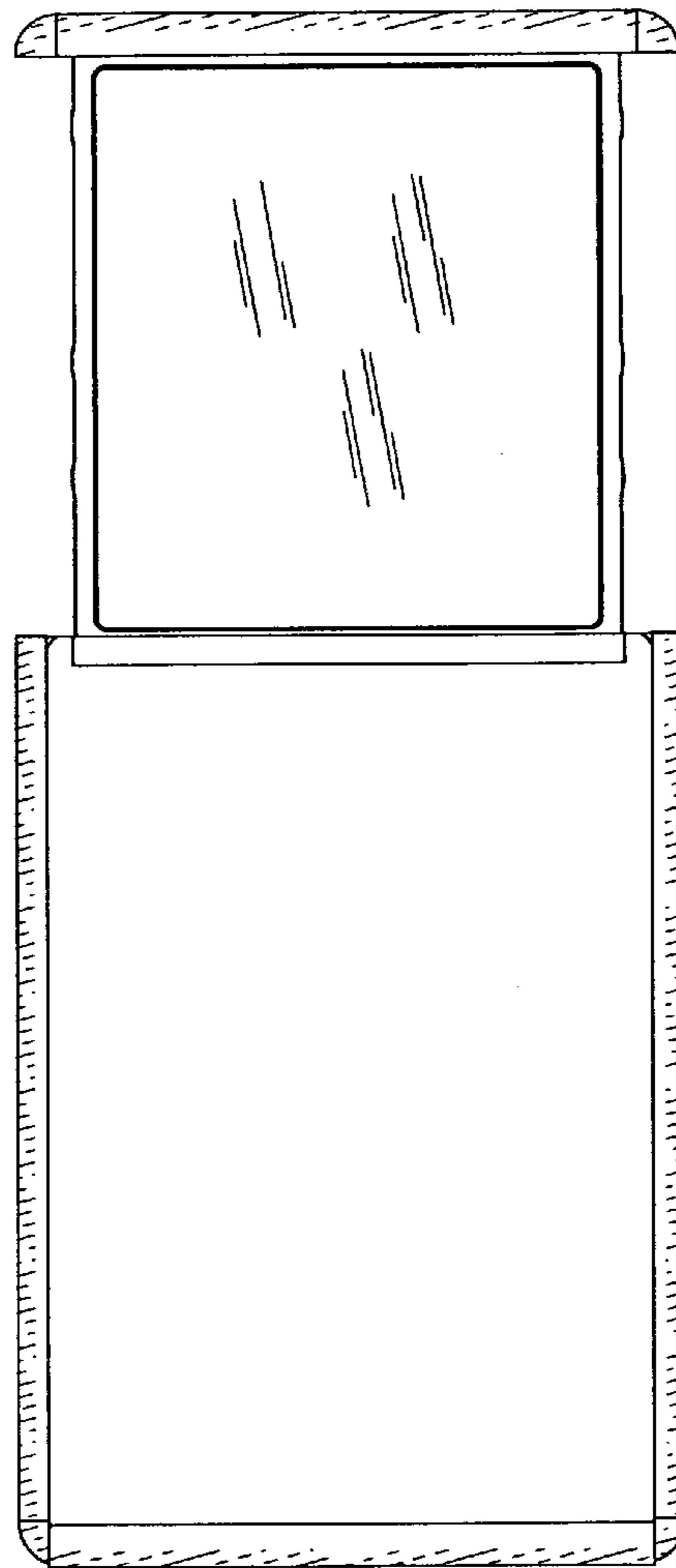


FIG. 13