



US00D668695S

(12) **United States Design Patent**
Ringer

(10) **Patent No.:** **US D668,695 S**

(45) **Date of Patent:** **** Oct. 9, 2012**

(54) **HOOD FOR AN AGRICULTURAL MACHINE**

(75) Inventor: **Chad Ringer**, Trafalgar, IN (US)

(73) Assignee: **ET Works, LLC**, Mooresville, IN (US)

(**) Term: **14 Years**

(21) Appl. No.: **29/397,310**

(22) Filed: **Jul. 14, 2011**

(51) **LOC (9) Cl.** **15-03**

(52) **U.S. Cl.** **D15/31**

(58) **Field of Classification Search** D15/10,
D15/11, 13-17, 28, 22-26, 31; D12/173;
56/13.3, 13.4, 15.8, 15.9, 320.1; 180/89.1,
180/89.12, 900, 69.2, 68.1, 69.1

See application file for complete search history.

(56) **References Cited**

U.S. PATENT DOCUMENTS

3,976,302	A	8/1976	Hammarstrand	
4,441,655	A	4/1984	Blumhardt	
4,512,589	A	4/1985	Ambrose et al.	
5,284,349	A	2/1994	Bruns et al.	
5,597,172	A	1/1997	Maiwald	
D381,025	S *	7/1997	Bataille	D15/31
5,918,808	A	7/1999	Weddle	
D413,905	S *	9/1999	Schmidt et al.	D15/31
D419,164	S *	1/2000	Heiler et al.	D15/31
6,056,210	A	5/2000	Weddle	
6,386,554	B1	5/2002	Weddle	
6,454,294	B1	9/2002	Bittner et al.	
D465,500	S *	11/2002	Workman et al.	D15/31
D473,882	S *	4/2003	Kuwae	D15/31
D488,488	S *	4/2004	Montgomery et al.	D15/31
D497,370	S *	10/2004	Katoh	D15/31

D537,090	S *	2/2007	Kuwae	D15/31
7,237,636	B2	7/2007	Ruppert et al.	
D554,669	S *	11/2007	Crookes et al.	D15/31
D557,714	S *	12/2007	Higashikawa	D15/31
D558,799	S *	1/2008	Higashikawa	D15/31
D565,607	S *	4/2008	Moen et al.	D15/31
7,438,305	B2	10/2008	Schulz	
D591,777	S *	5/2009	Kokitkar et al.	D15/31
7,563,199	B2	7/2009	Ringer	
7,837,207	B2	11/2010	Kremin et al.	
D631,489	S *	1/2011	Booth et al.	D15/31
D632,312	S *	2/2011	Booth et al.	D15/31
7,896,062	B2	3/2011	Adamson et al.	
2009/0167057	A1	7/2009	Walter et al.	
2010/0326755	A1	12/2010	Husson et al.	

* cited by examiner

Primary Examiner — Mark Goodwin

(74) *Attorney, Agent, or Firm* — Maginot, Moore & Beck

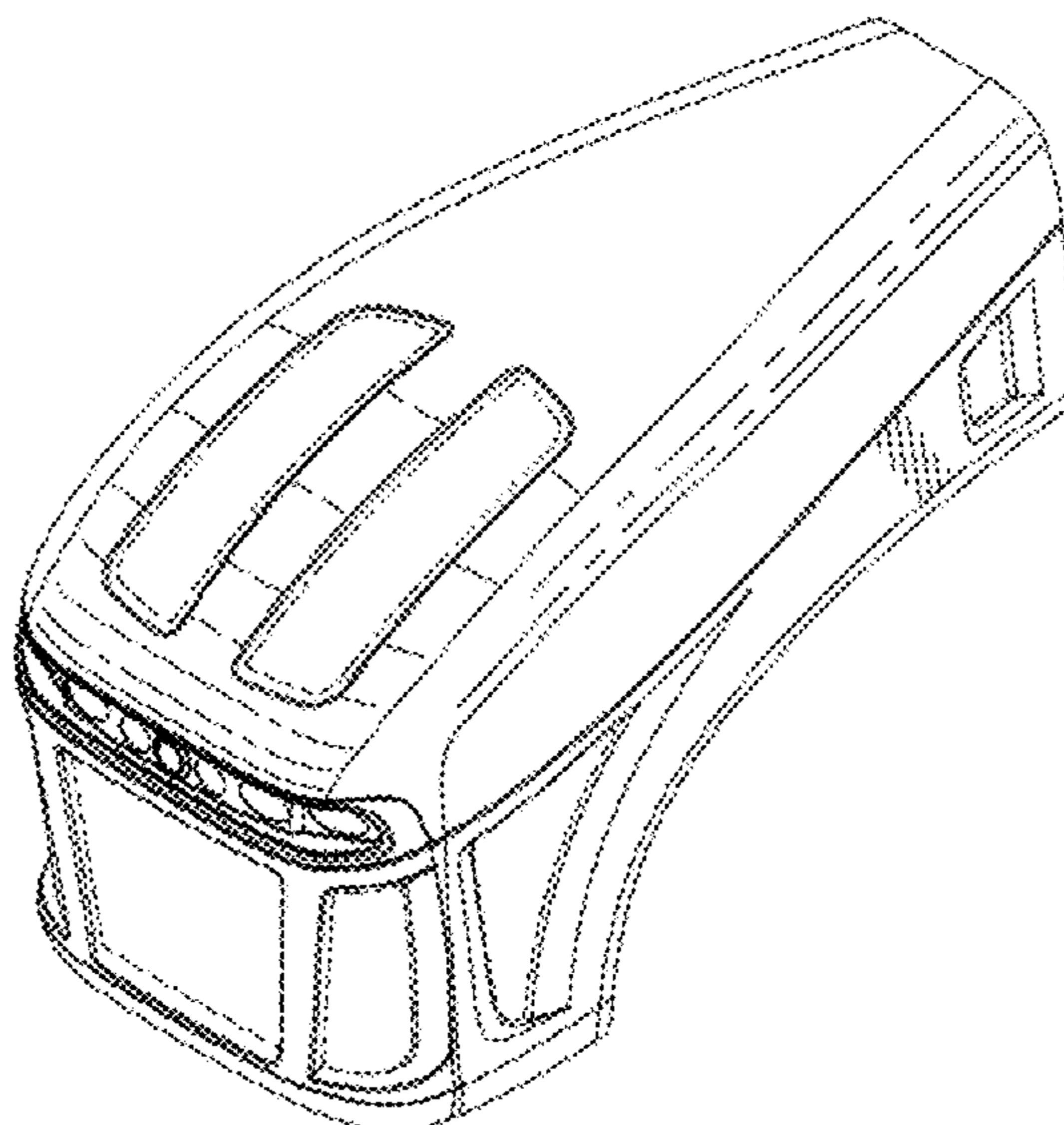
(57) **CLAIM**

The ornamental design for a hood for an agricultural machine, as shown and described.

DESCRIPTION

FIG. 1 is a perspective view of a hood for an agricultural machine showing my new design;
FIG. 2 is a right side elevational view thereof;
FIG. 3 is a left side elevational view thereof;
FIG. 4 is a top plan view thereof;
FIG. 5 is a bottom plan view thereof;
FIG. 6 is a rear elevational view thereof; and,
FIG. 7 is a front elevational view thereof.
The broken line showing of portions of the hood is included for illustrative purposes only and forms no part of the claimed design.

1 Claim, 7 Drawing Sheets



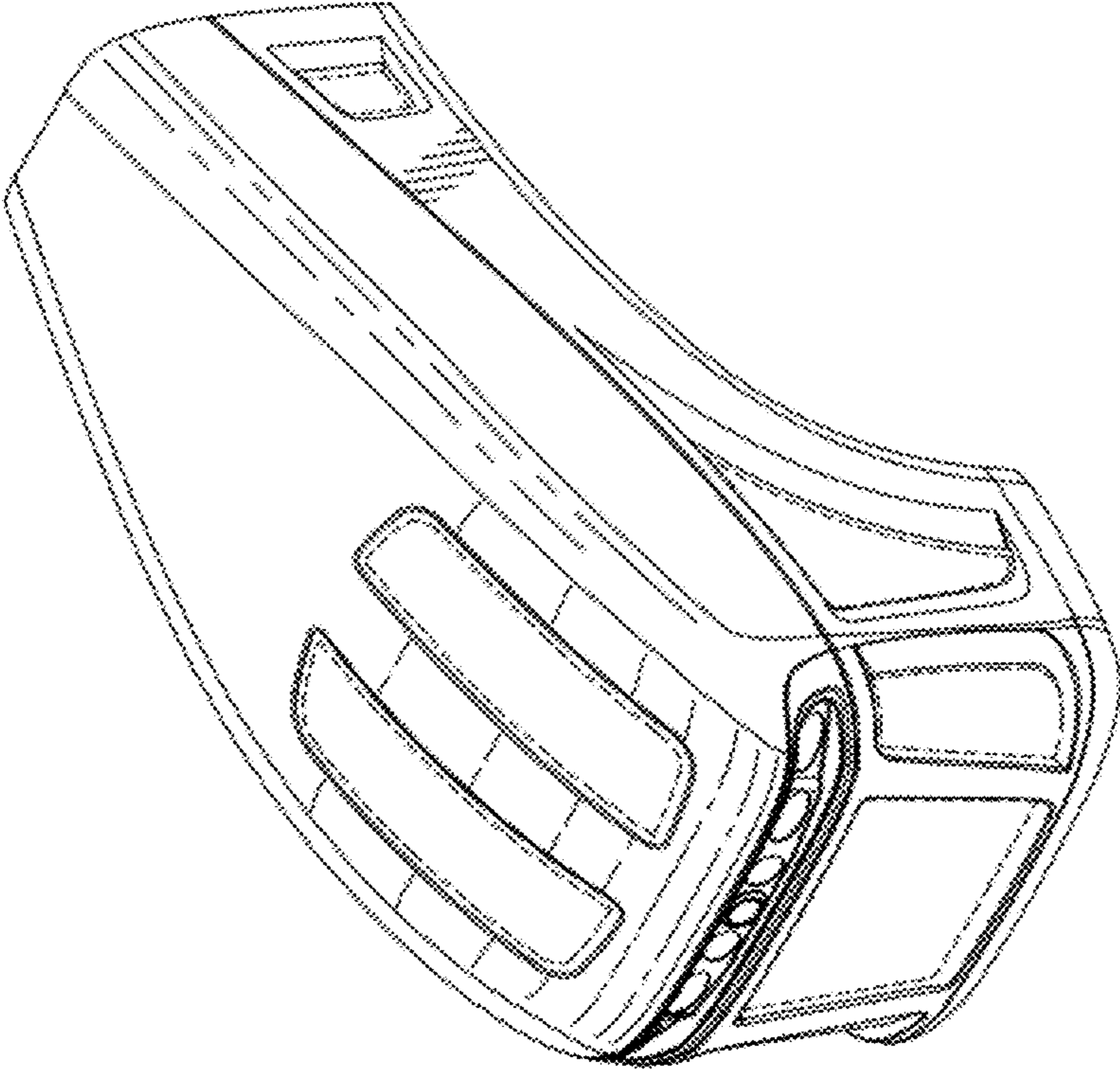


Fig. 1

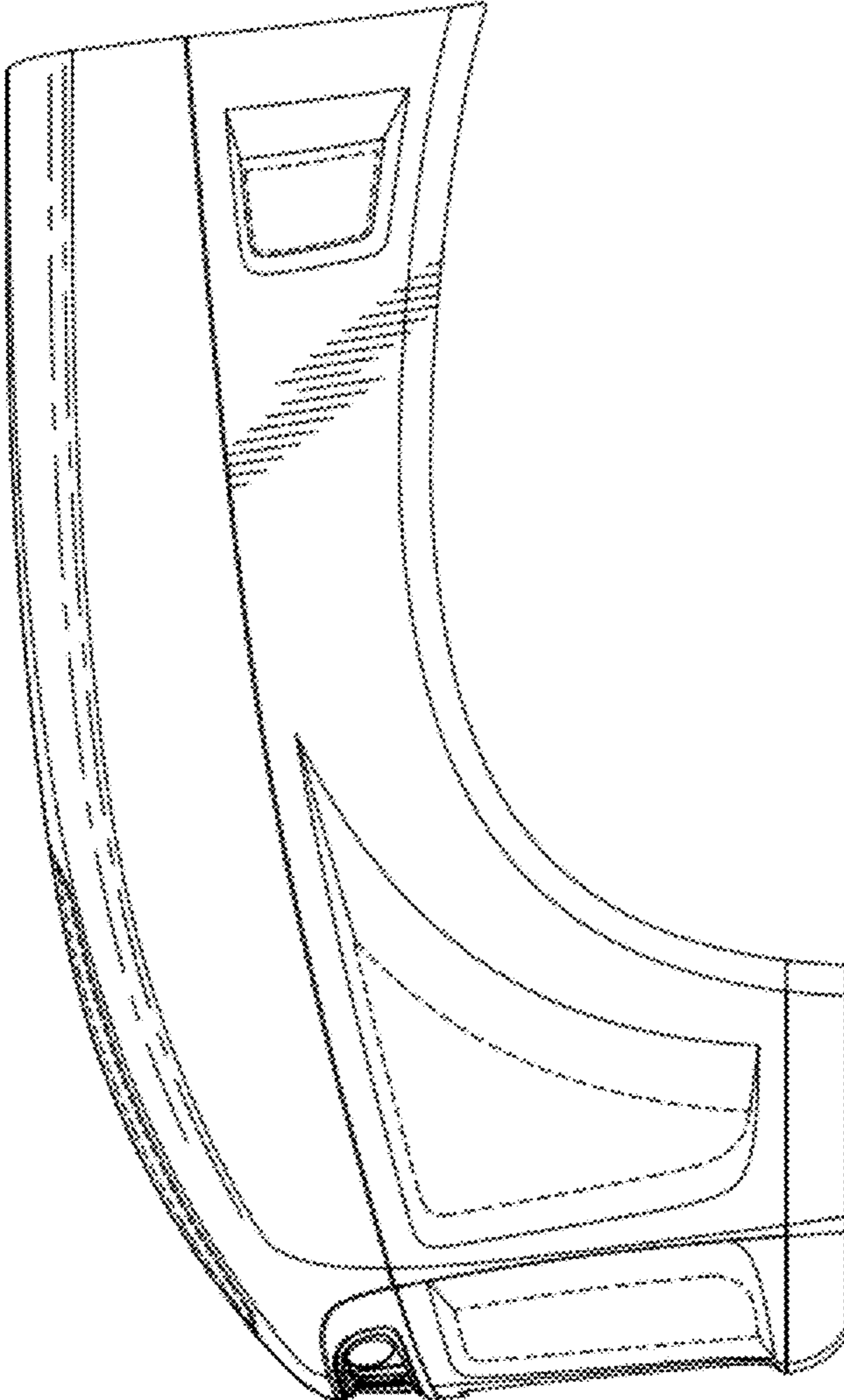


Fig. 2

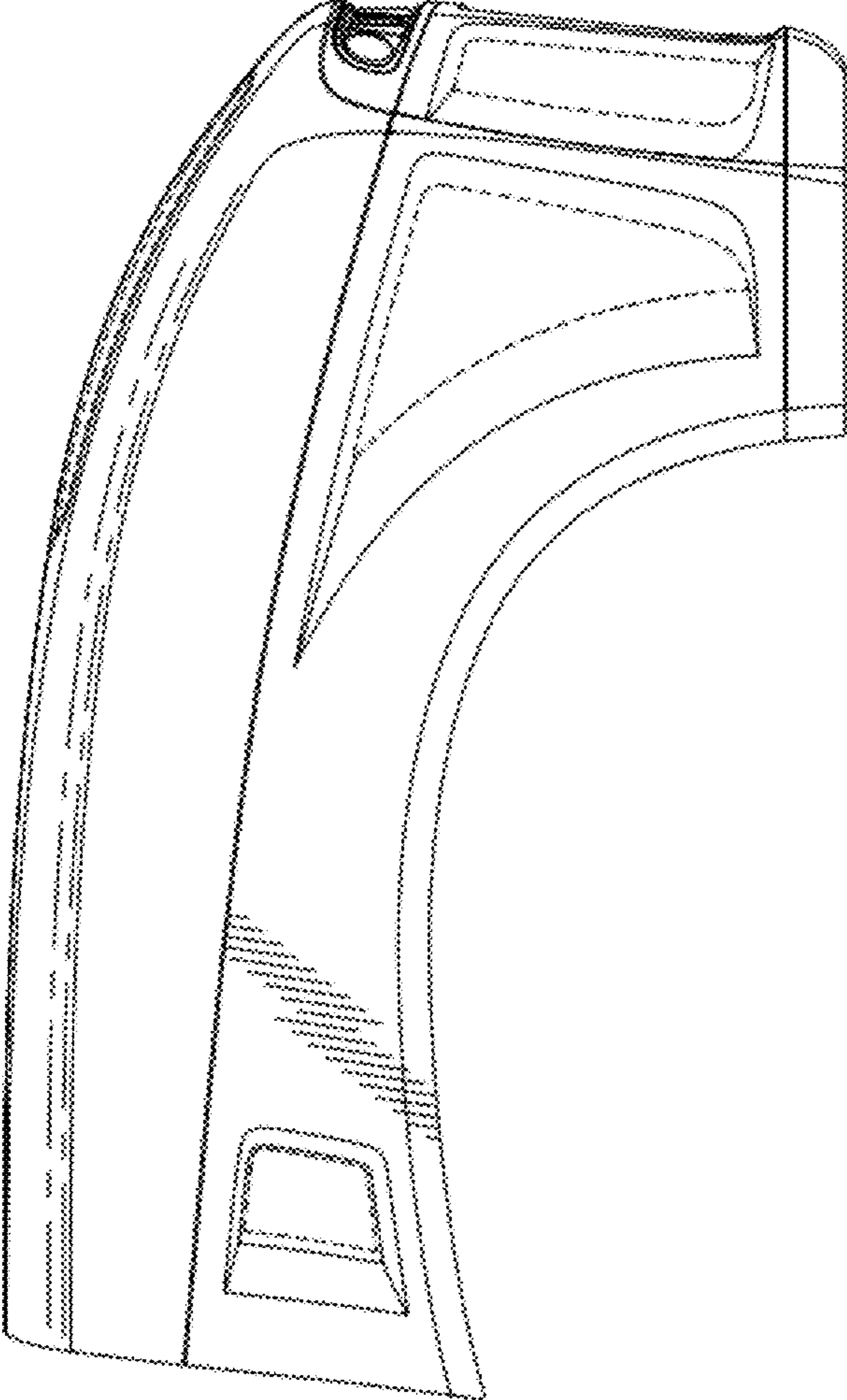


Fig. 3

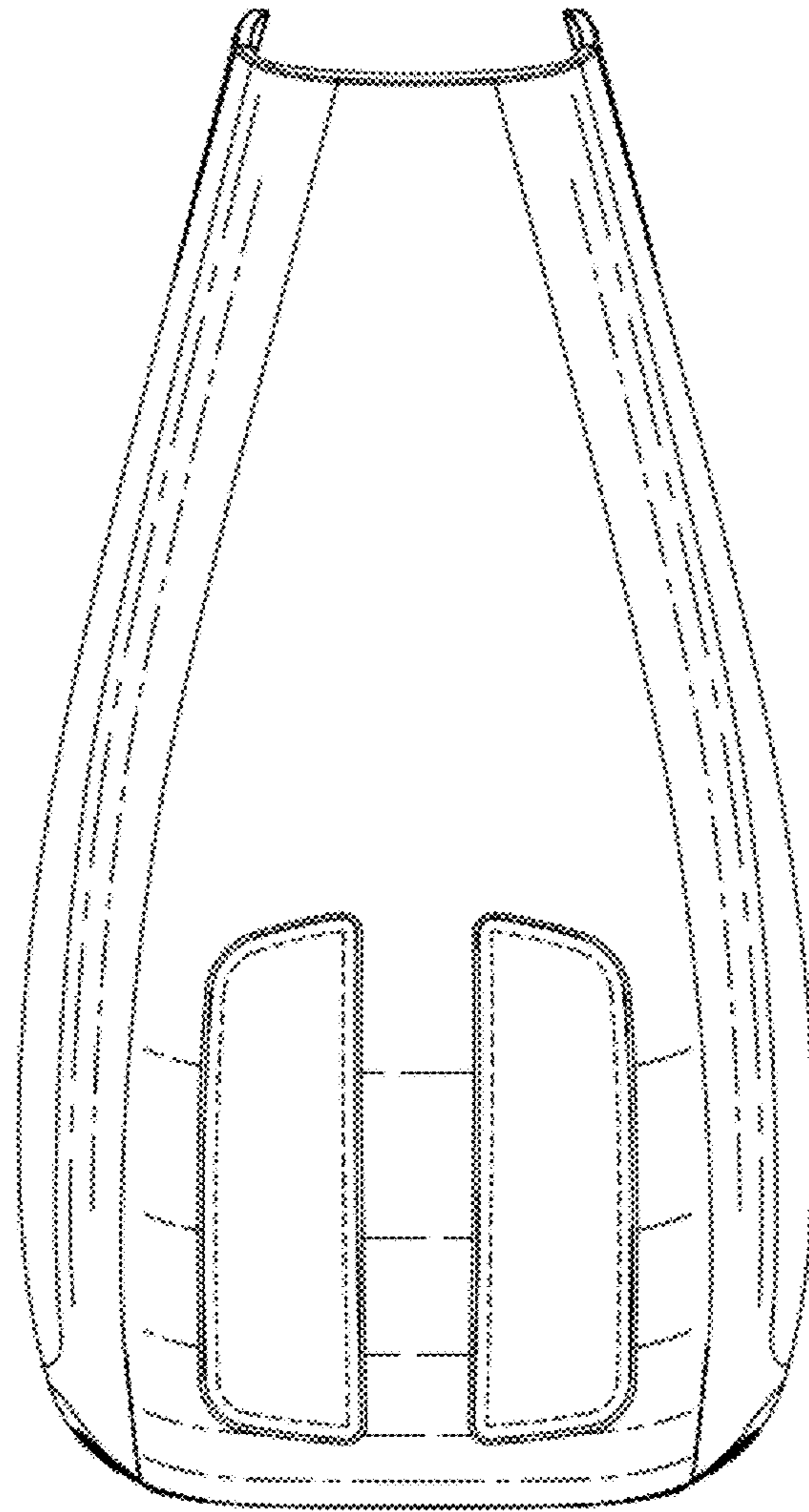


Fig. 4

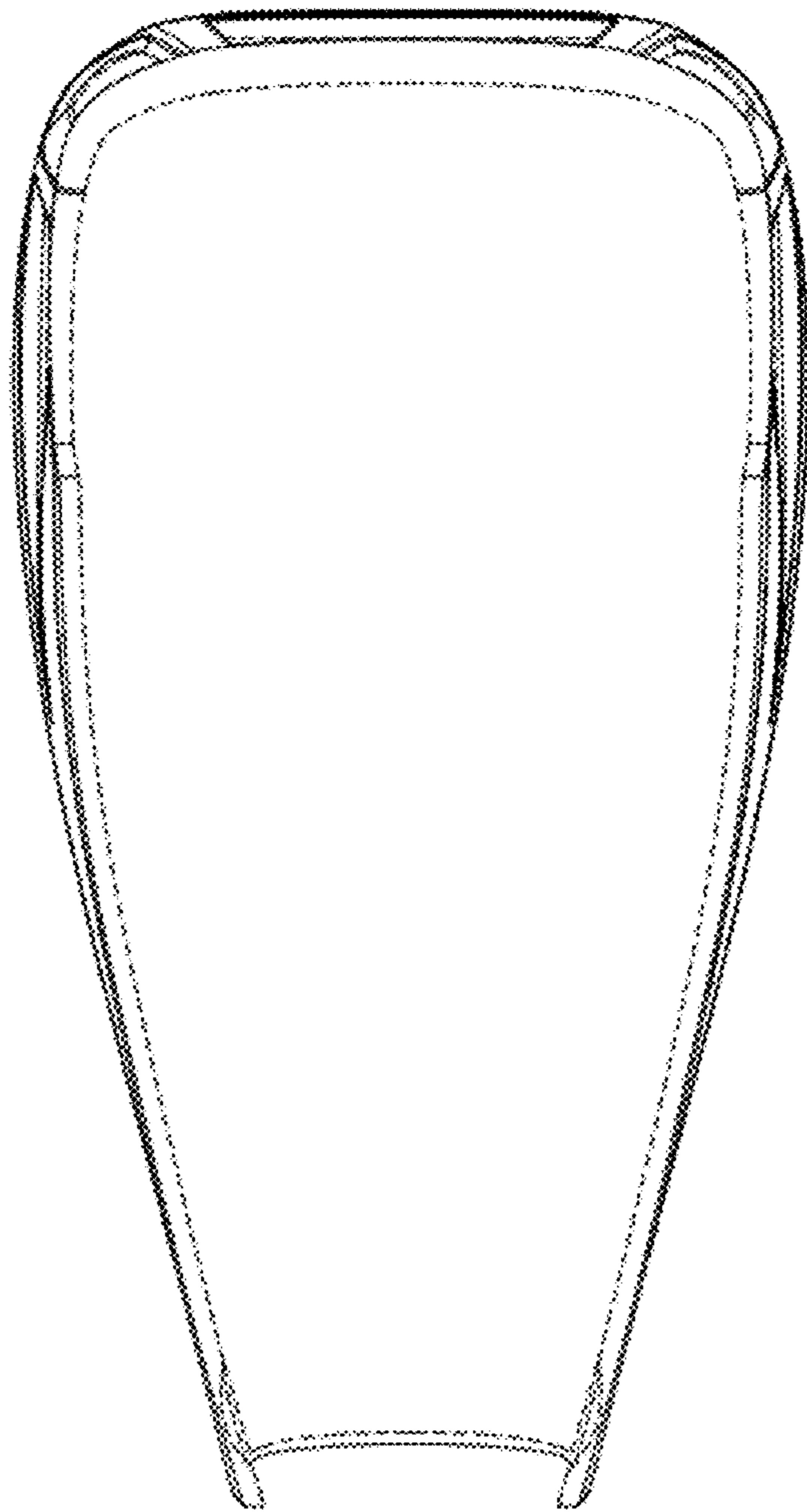


Fig. 5

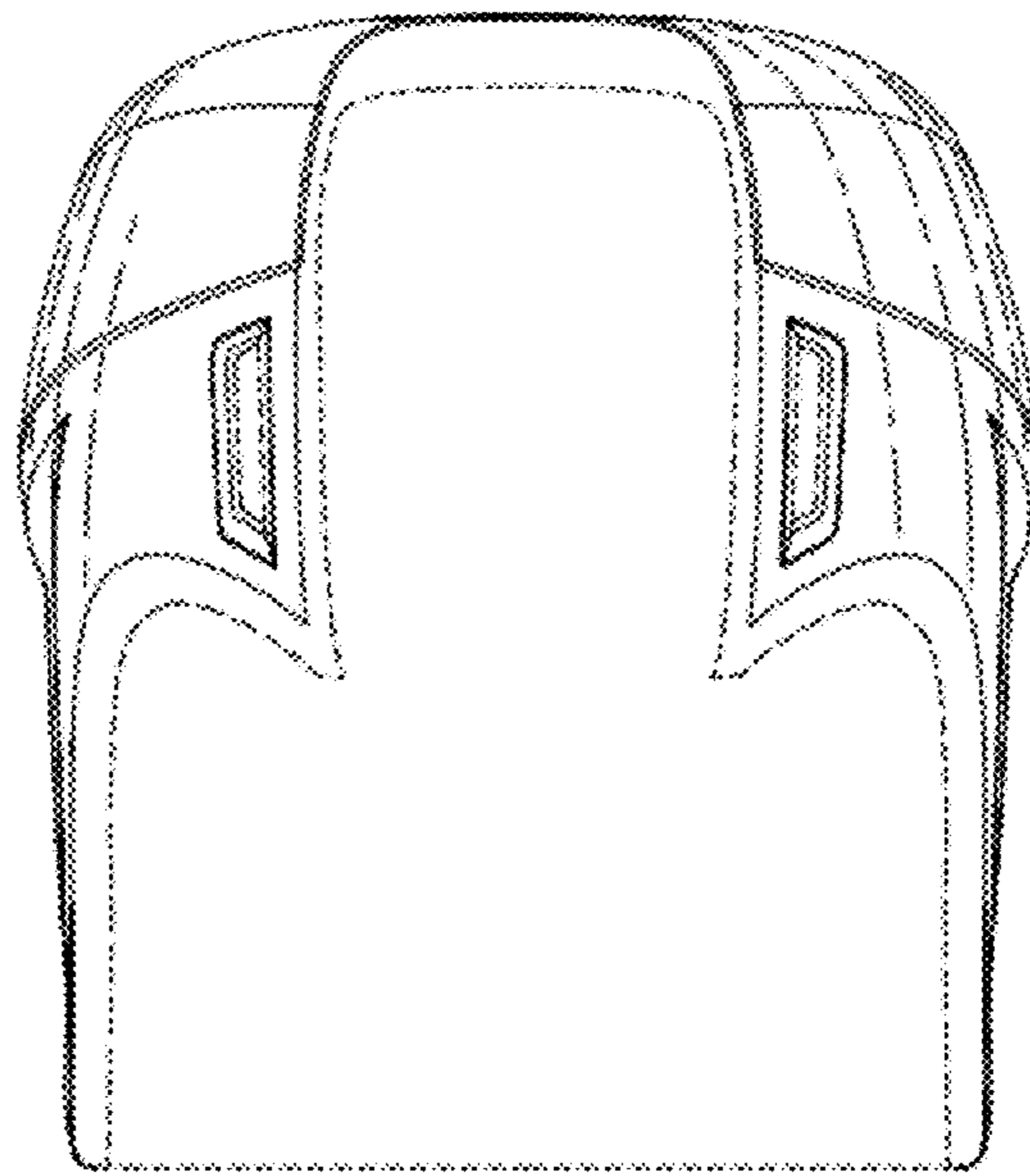


Fig. 6

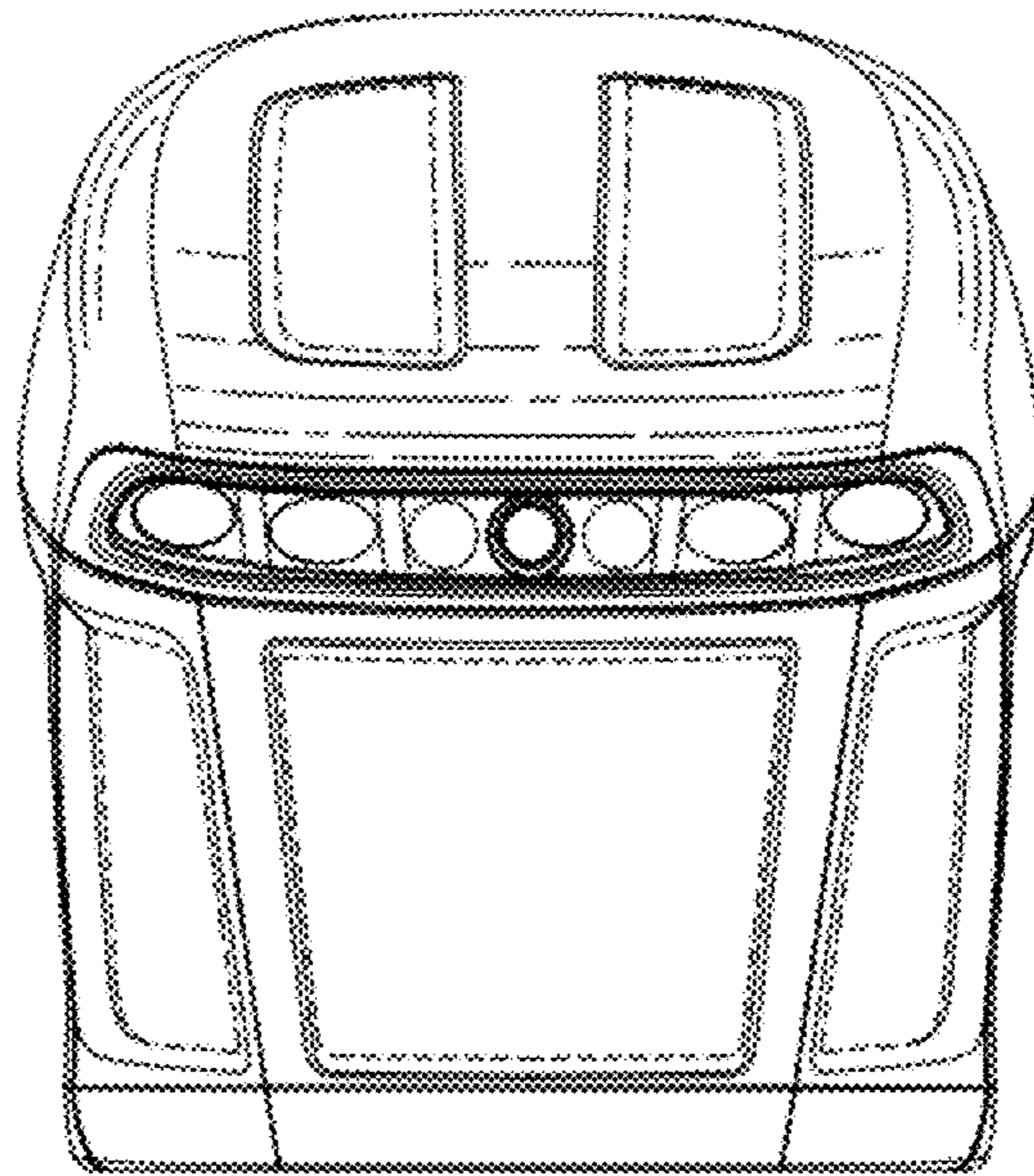


Fig. 7