



US00D668693S

(12) **United States Design Patent**
Ringer

(10) **Patent No.:** **US D668,693 S**

(45) **Date of Patent:** **** Oct. 9, 2012**

(54) **CAB FOR AN AGRICULTURAL MACHINE**

(75) Inventor: **Chad Ringer**, Trafalgar, IN (US)

(73) Assignee: **ET Works, LLC**, Mooresville, IN (US)

(**) Term: **14 Years**

(21) Appl. No.: **29/397,318**

(22) Filed: **Jul. 14, 2011**

(51) **LOC (9) Cl.** **15-03**

(52) **U.S. Cl.** **D15/30**

(58) **Field of Classification Search** D15/10,
D15/22-26, 28, 30, 31; 180/89.11, 89.12,
180/89.13, 89.19, 900; 296/190.01, 190.08,
296/210, 190, 202

See application file for complete search history.

(56) **References Cited**

U.S. PATENT DOCUMENTS

3,976,302	A	8/1976	Hammarstrand	
4,441,655	A	4/1984	Blumhardt	
4,512,589	A	4/1985	Ambrose et al.	
5,284,349	A	2/1994	Bruns et al.	
D348,678	S *	7/1994	Budde	D15/30
5,597,172	A	1/1997	Maiwald	
D389,984	S *	1/1998	Johansson	D34/37
5,918,808	A	7/1999	Weddle	
6,056,210	A	5/2000	Weddle	
6,386,554	B1	5/2002	Weddle	
6,454,294	B1	9/2002	Bittner et al.	
D523,029	S *	6/2006	Crawford et al.	D15/30
D531,647	S *	11/2006	Stender et al.	D15/30
D541,825	S *	5/2007	Pettersson	D15/30
D541,826	S *	5/2007	Brush et al.	D15/30
7,237,636	B2	7/2007	Ruppert et al.	

D561,205	S *	2/2008	Pettersson	D15/30
7,438,305	B2	10/2008	Schulz	
7,563,199	B2	7/2009	Ringer	
D603,881	S *	11/2009	Tamplain et al.	D15/30
D605,207	S *	12/2009	Menges et al.	D15/30
7,837,207	B2	11/2010	Kremin et al.	
D629,429	S *	12/2010	Wakamatsu	D15/30
D635,156	S *	3/2011	Berning et al.	D15/30
7,896,062	B2	3/2011	Adamson et al.	
D636,795	S *	4/2011	Yamamoto et al.	D15/30
D637,630	S *	5/2011	Yamamoto et al.	D15/30
D642,205	S *	7/2011	Yamamoto et al.	D15/30
D650,816	S *	12/2011	Koponen et al.	D15/30
2009/0167057	A1	7/2009	Walter et al.	
2010/0326755	A1	12/2010	Husson et al.	

* cited by examiner

Primary Examiner — Mark Goodwin

(74) *Attorney, Agent, or Firm* — Maginot, Moore & Beck

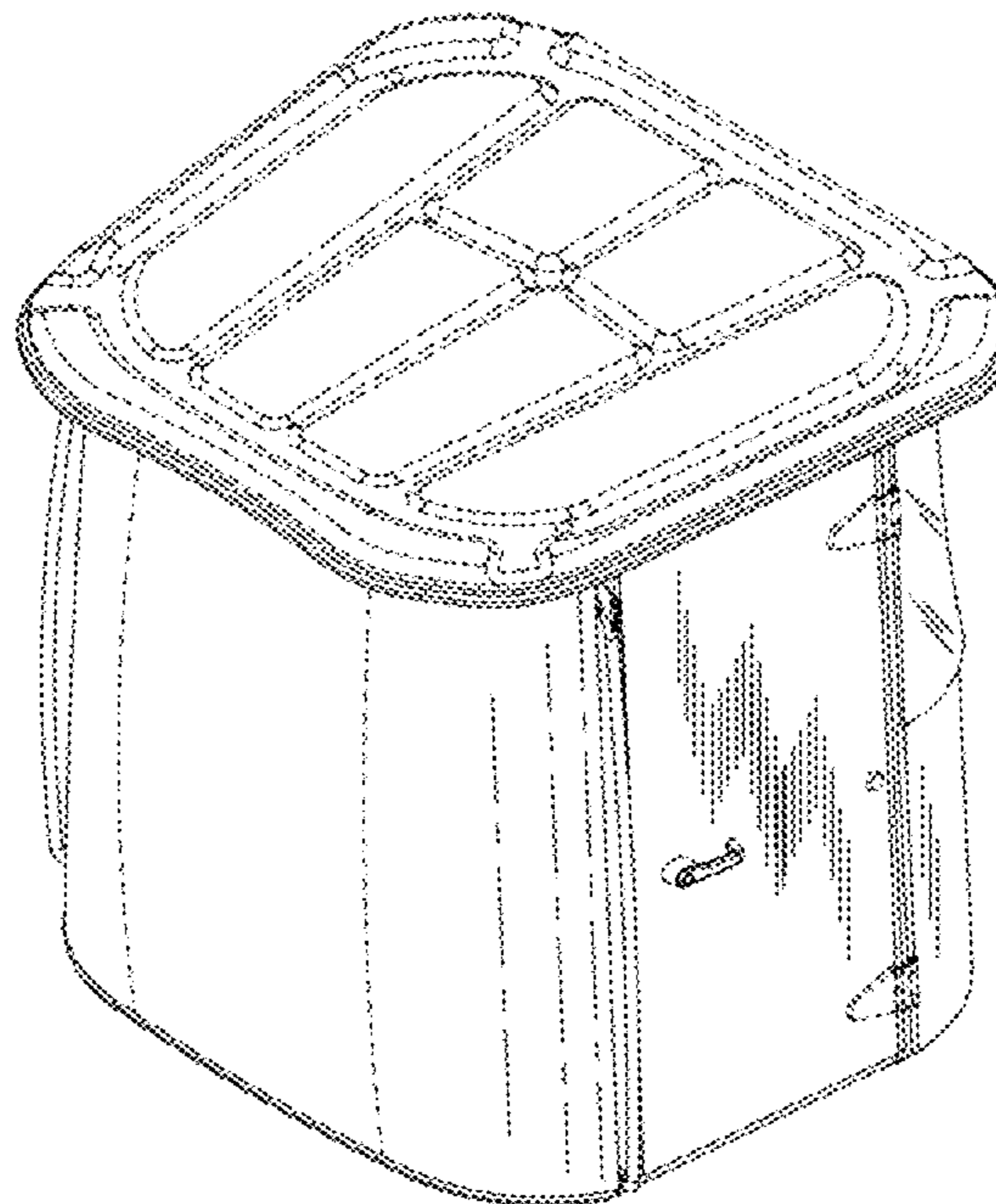
(57) **CLAIM**

The ornamental design for a cab for an agricultural machine, as shown and described.

DESCRIPTION

FIG. 1 is a perspective view of a cab for an agricultural machine showing my new design;
FIG. 2 is a right side elevational view thereof;
FIG. 3 is a left side elevational view thereof;
FIG. 4 is a front elevational view thereof;
FIG. 5 is a rear elevational view thereof;
FIG. 6 is a top plan view thereof; and,
FIG. 7 is a bottom plan view thereof.
The broken line showing of portions of the cab is included for illustrative purposes only and forms no part of the claimed design.

1 Claim, 7 Drawing Sheets



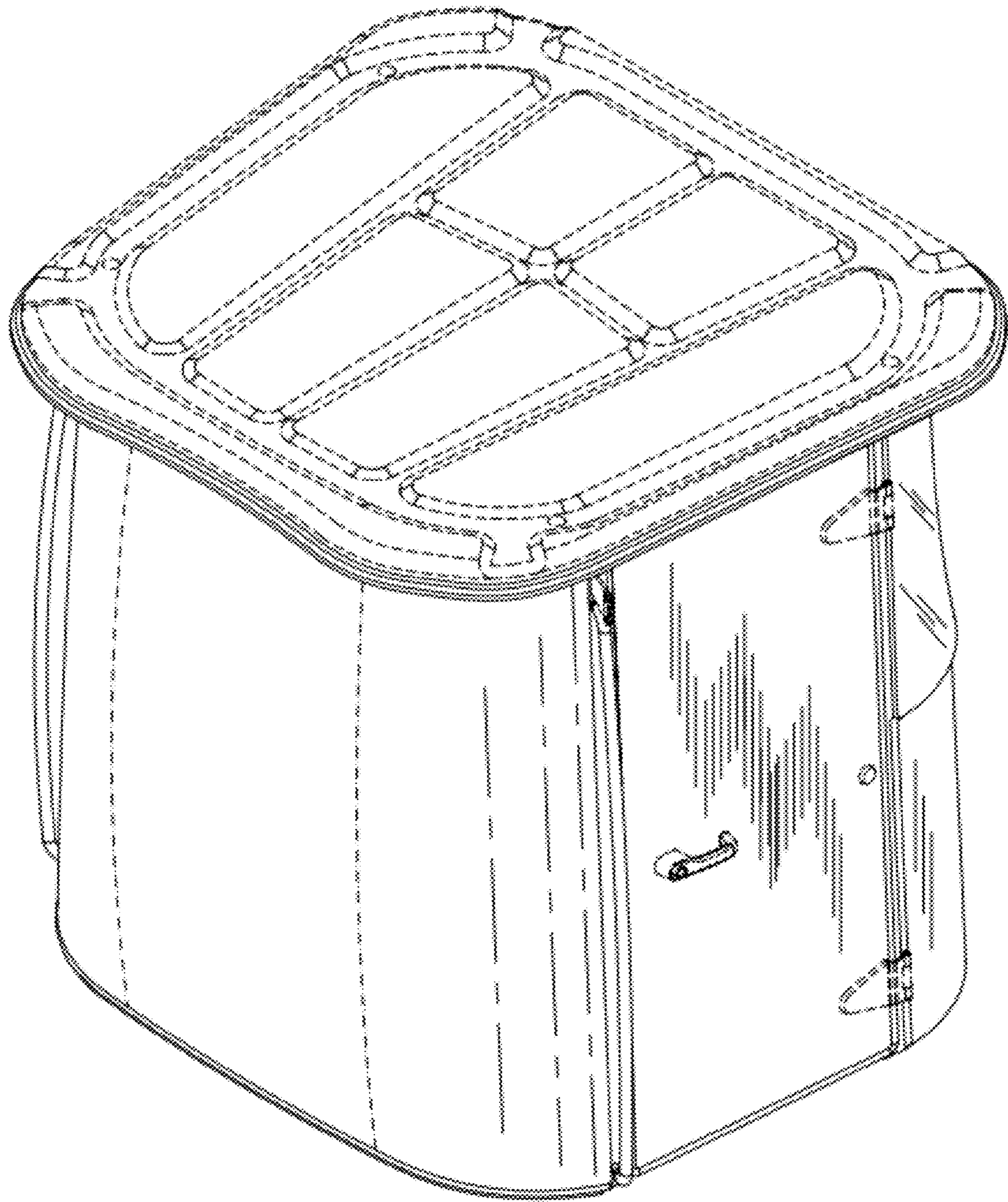


Fig. 1

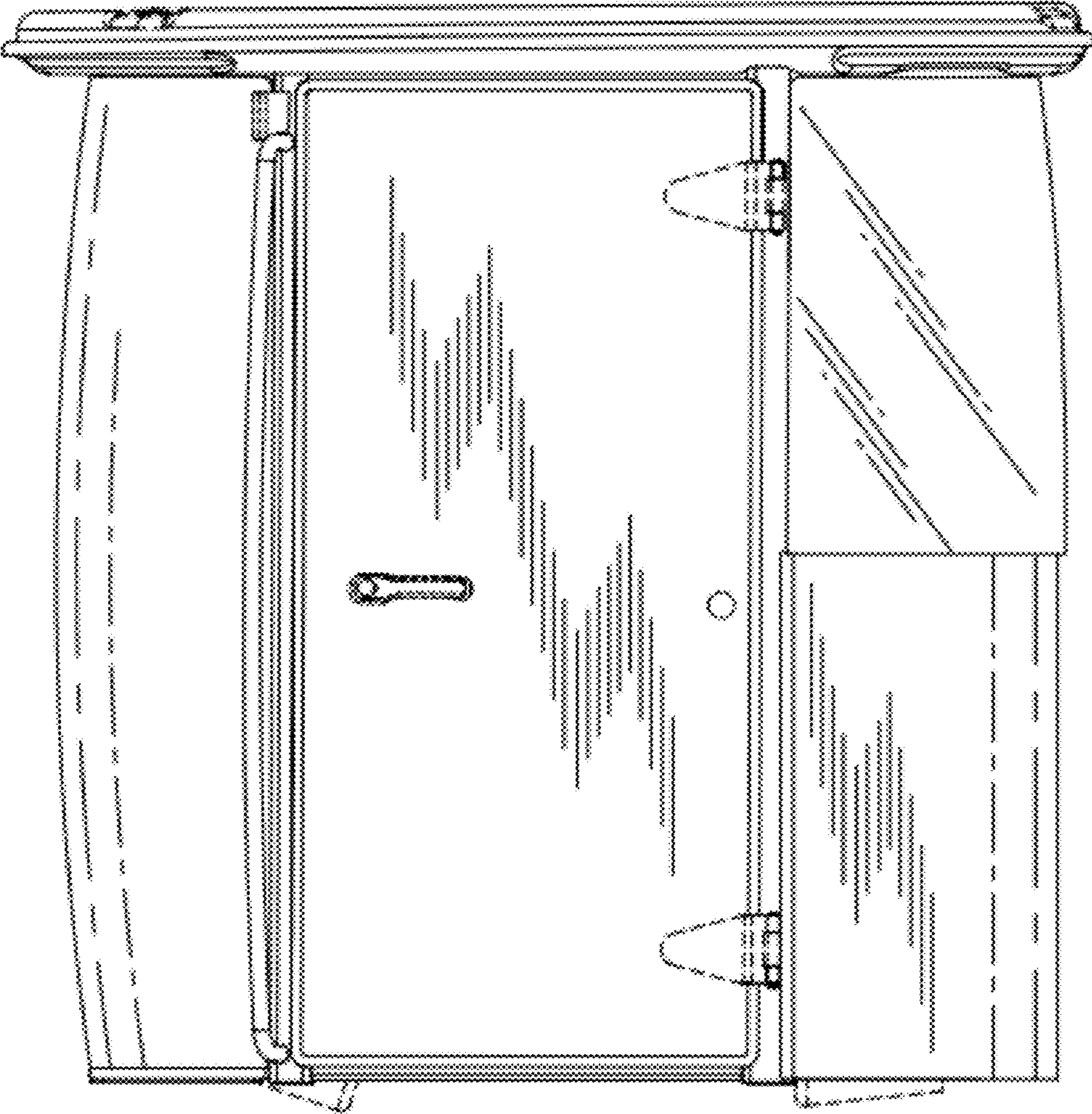


Fig. 2

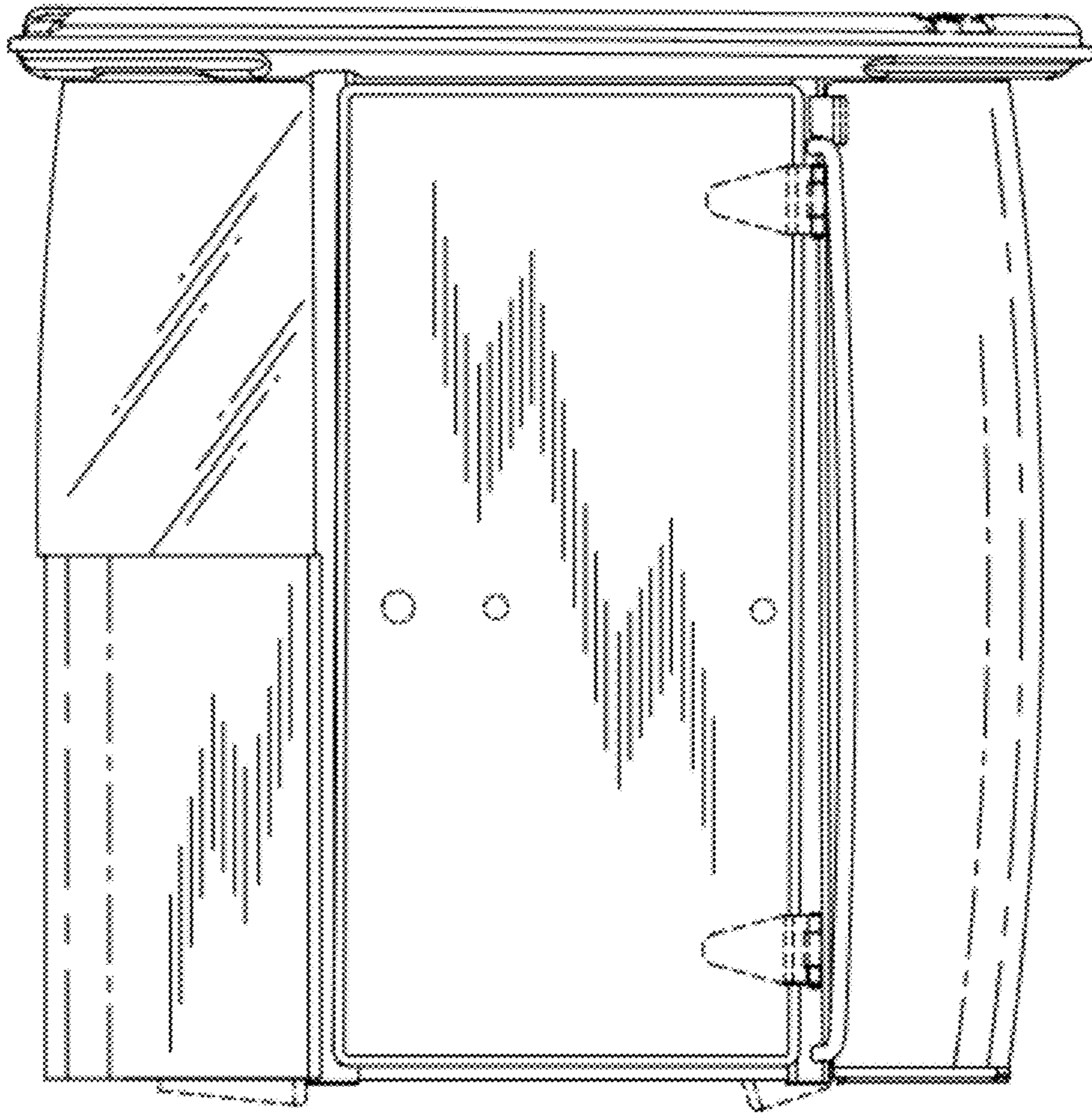


Fig. 3

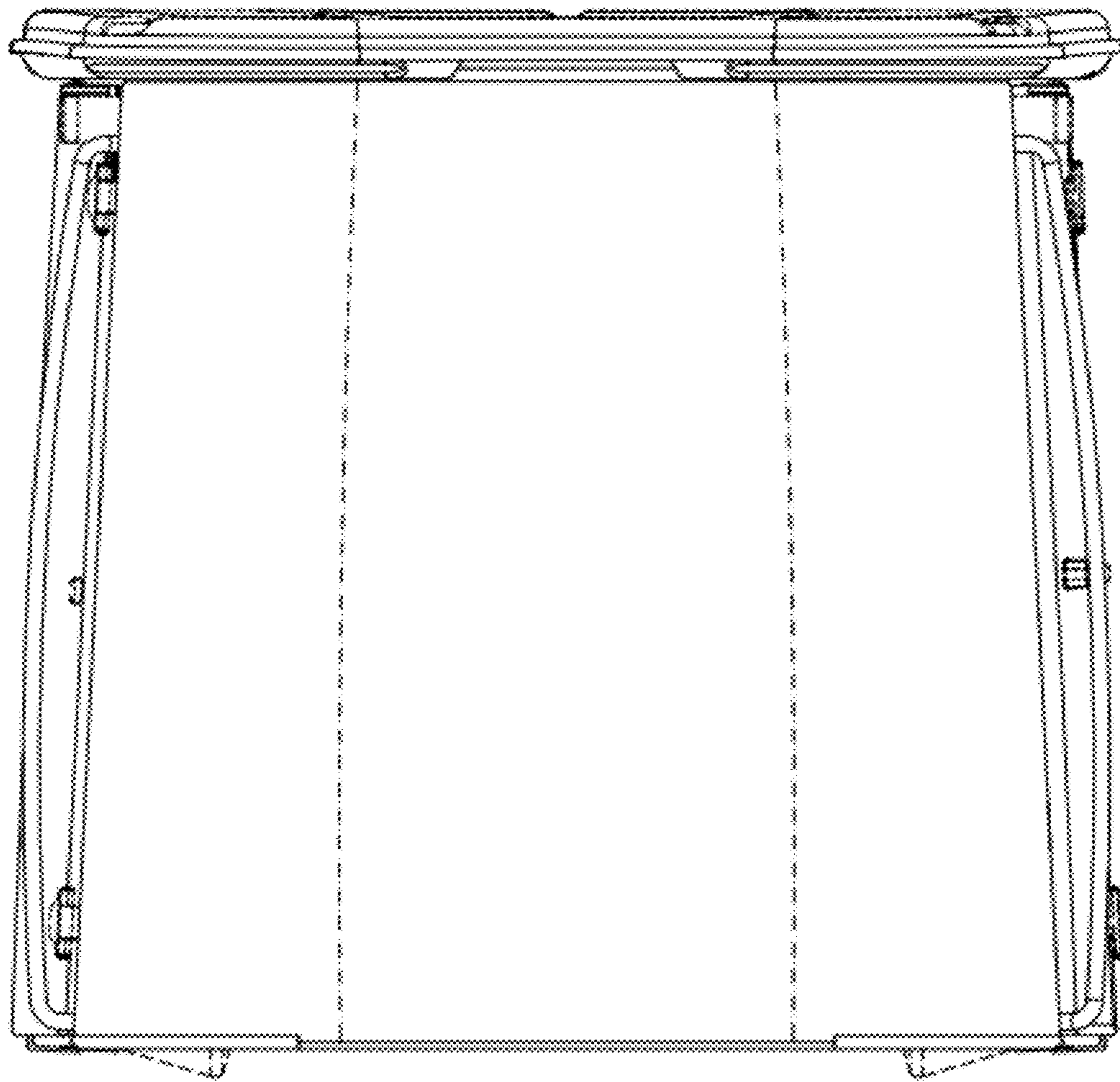


Fig. 4

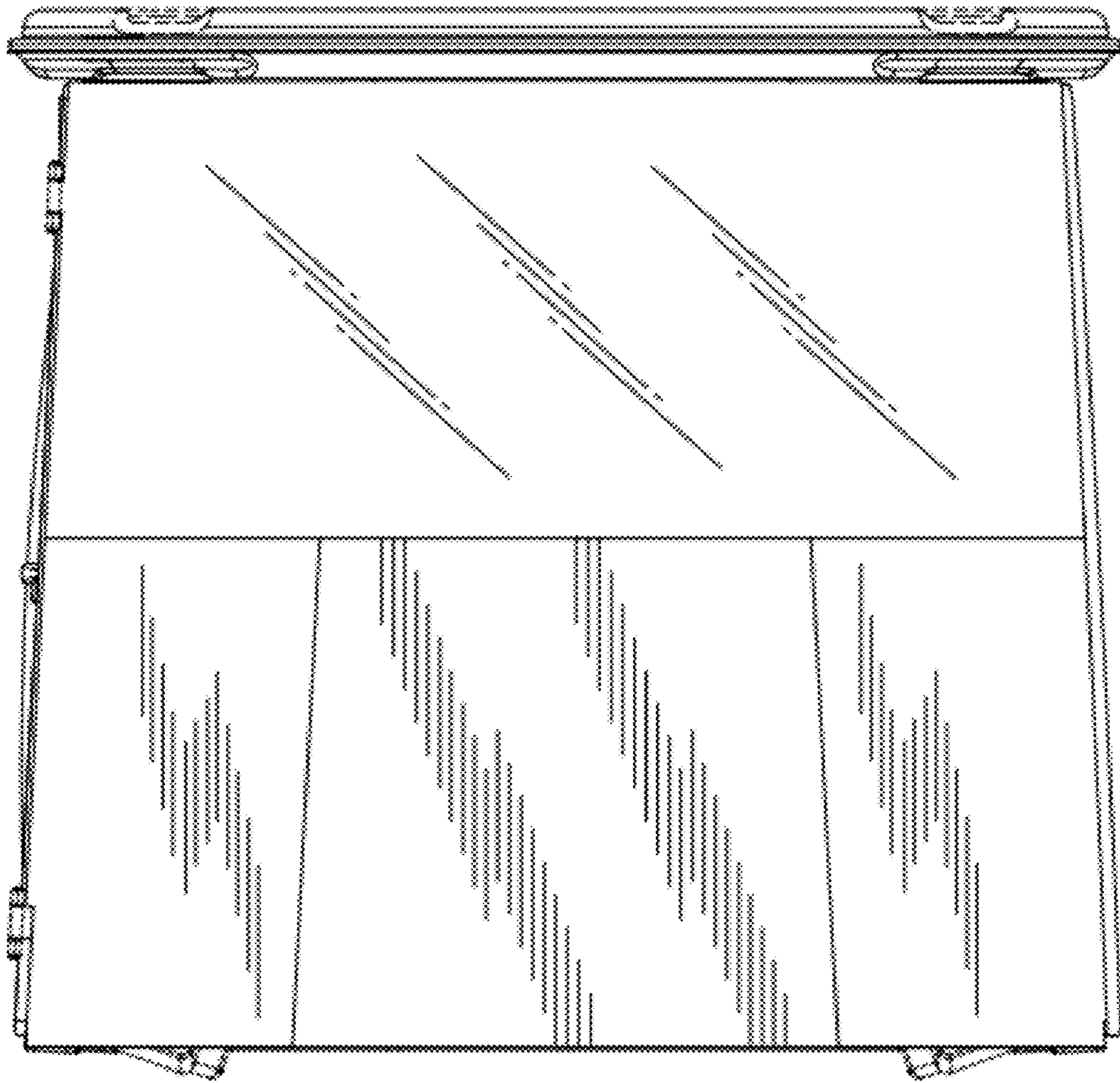


Fig. 5

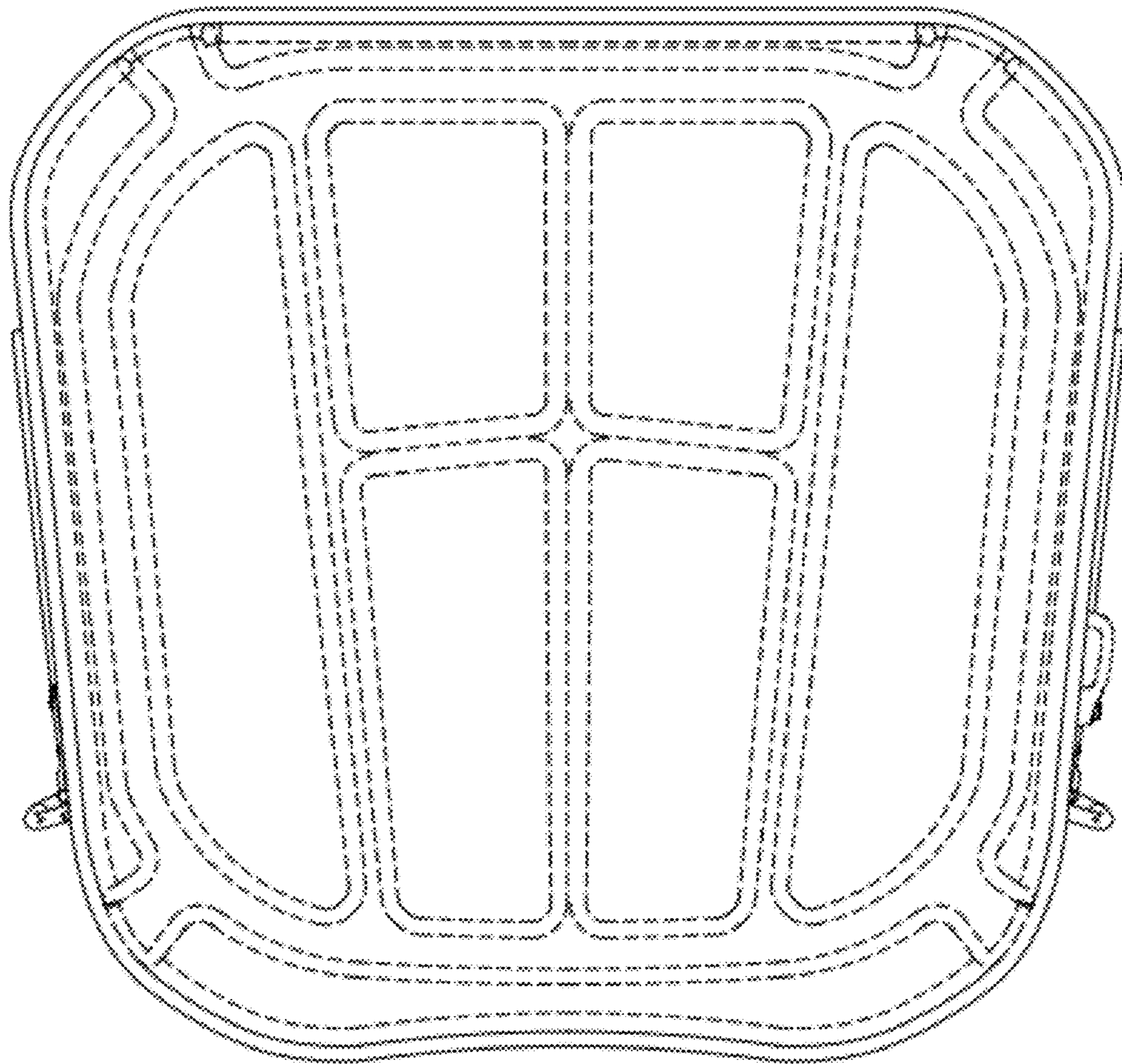


Fig. 6

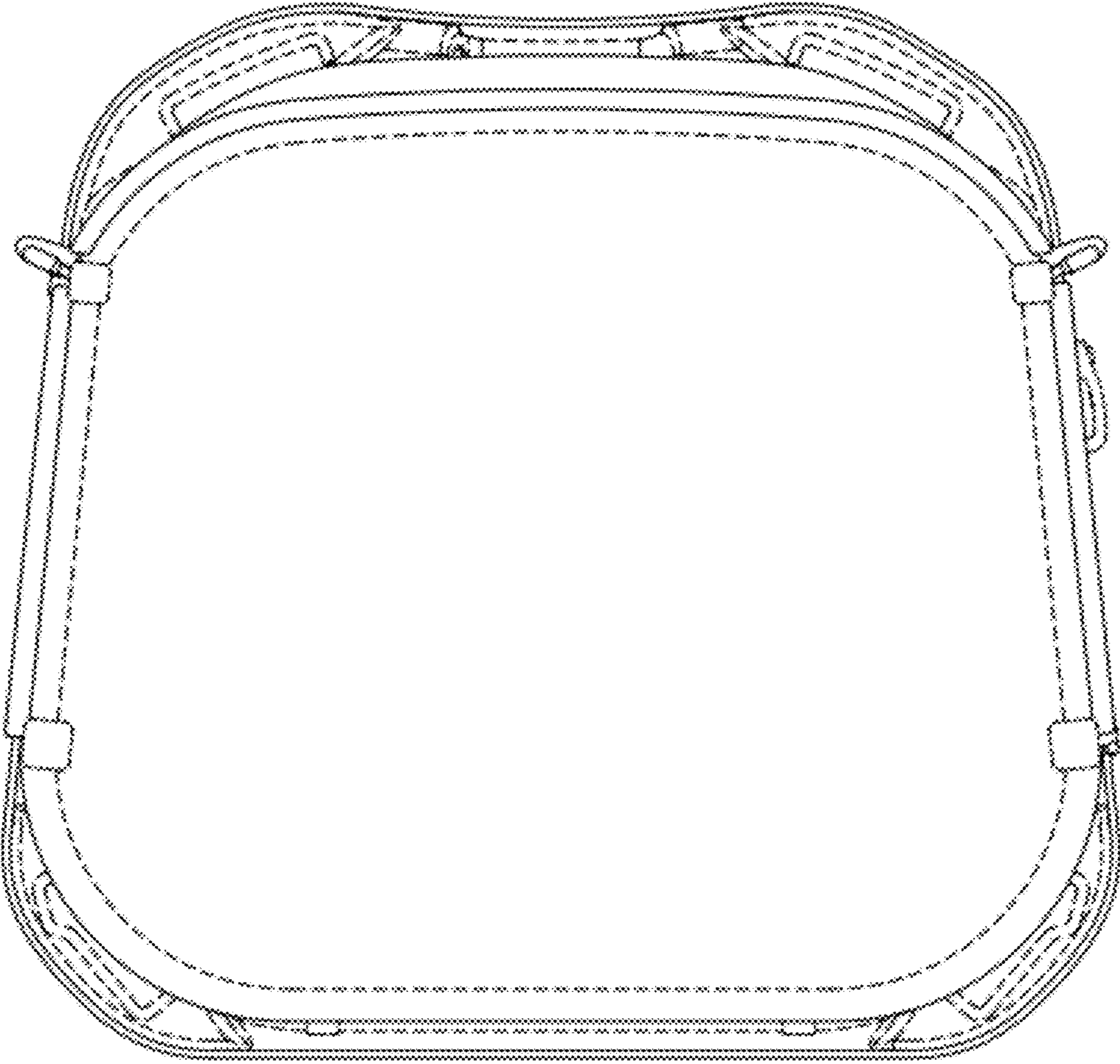


Fig. 7