

US00D668691S

(12) **United States Design Patent**  
**Ewringmann**

(10) **Patent No.:** **US D668,691 S**  
(45) **Date of Patent:** **\*\* Oct. 9, 2012**

(54) **COVER FOR AN EXHAUST PORT OF A ROAD CONSTRUCTION MACHINE**

3,712,664 A 1/1973 May  
D230,297 S 2/1974 Purcell et al.  
3,792,722 A \* 2/1974 Harmon ..... 138/108  
3,913,705 A \* 10/1975 Sieving ..... 180/309  
D239,966 S 5/1976 Swisher et al.

(75) Inventor: **Ulrich Ewringmann,**  
Taufkirchen-Potzharn (DE)

(Continued)

(73) Assignee: **Joseph Vögele AG,** Ludwigshafen/Rhein  
(DE)

**OTHER PUBLICATIONS**

U.S. Appl. No. 29/412,280, filed Feb. 1, 2012.

(\*\*) Term: **14 Years**

(Continued)

(21) Appl. No.: **29/412,268**

*Primary Examiner* — Mark Goodwin

(22) Filed: **Feb. 1, 2012**

(74) *Attorney, Agent, or Firm* — Fish & Richardson P.C.

(51) **LOC (9) Cl.** ..... **15-03**

(57) **CLAIM**

(52) **U.S. Cl.** ..... **D15/28**

The ornamental design for a cover for an exhaust port of a road construction machine, as shown and described.

(58) **Field of Classification Search** ..... D15/10,  
D15/11, 13–17, 22–26, 28, 30, 31, 5; D12/173,  
D12/194; 56/13.3, 13.4, 15.8, 15.9, 320.1;  
180/89.1, 89.12, 900, 69.2, 68.1, 69.1; 72/369;  
138/122, 129

**DESCRIPTION**

See application file for complete search history.

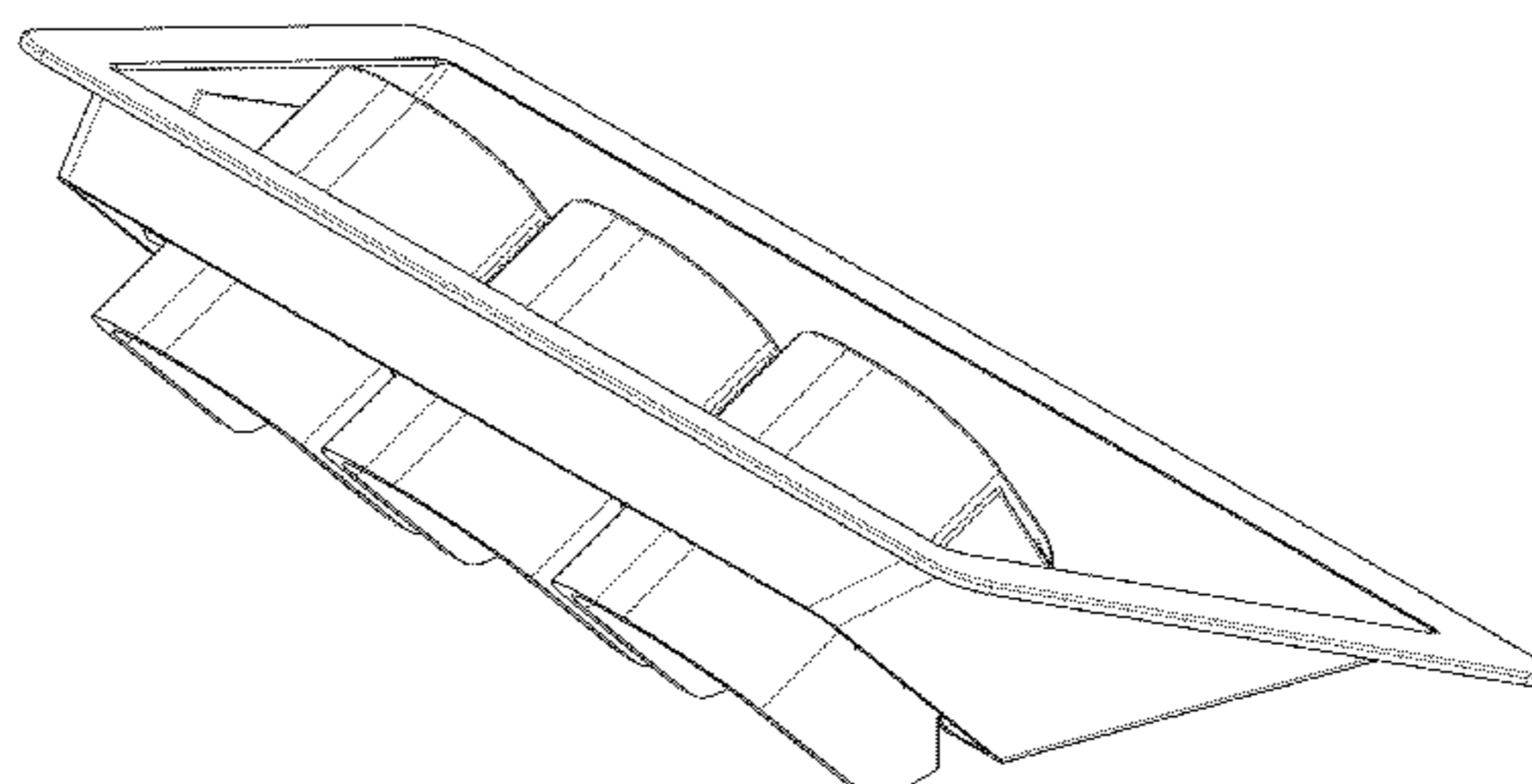
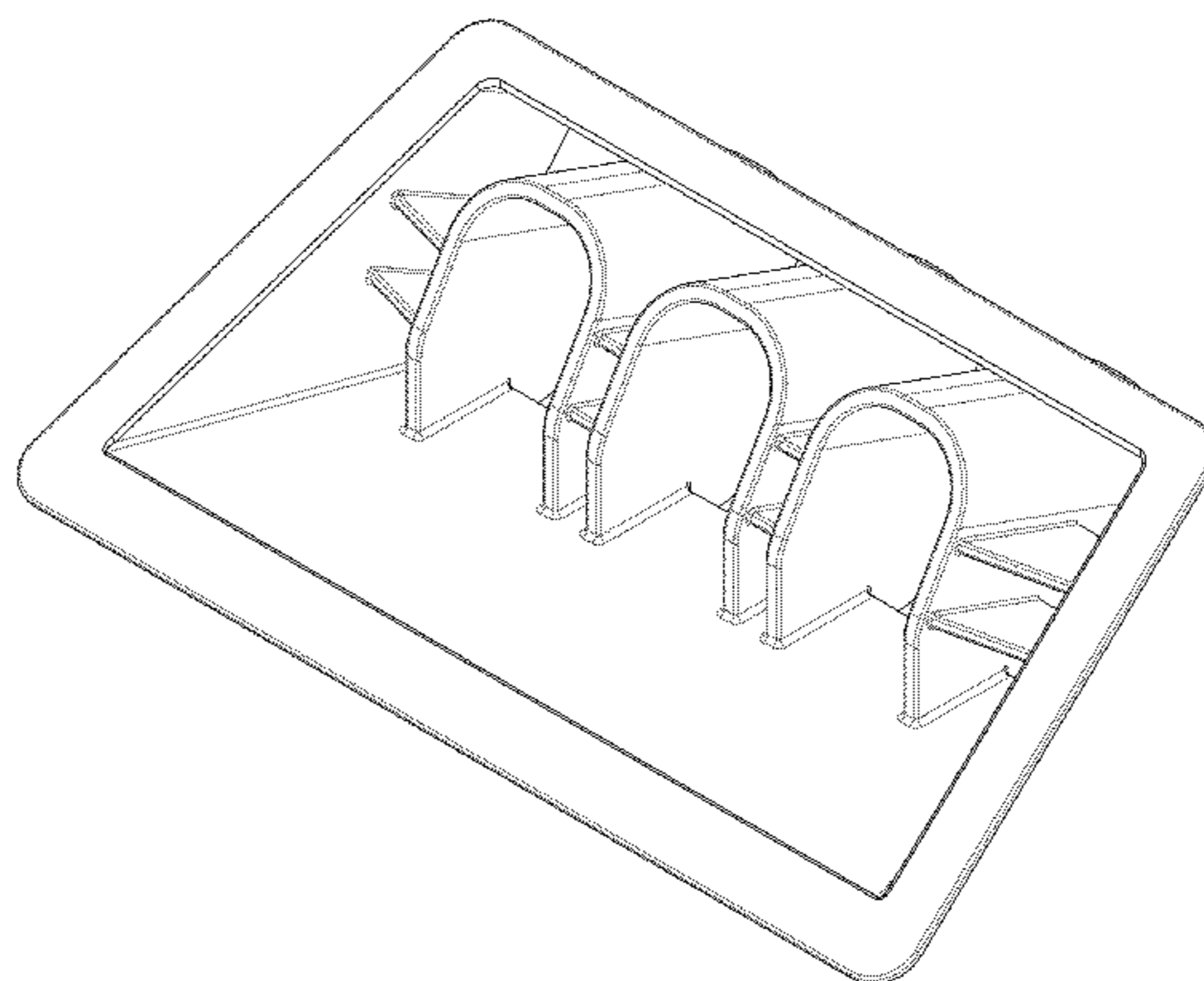
FIG. 1 is a left side view of the design of a cover for an exhaust port of a road construction machine of the present invention. FIG. 2 is a front side view of the design of a cover for an exhaust port of a road construction machine of FIG. 1. FIG. 3 is a right side view of the design of a cover for an exhaust port of a road construction machine of FIG. 1. FIG. 4 is a rear side view of the design of a cover for an exhaust port of a road construction machine of FIG. 1. FIG. 5 is a top side view of the design of a cover for an exhaust port of a road construction machine of FIG. 1. FIG. 6 is a bottom side view of the design of a cover for an exhaust port of a road construction machine of FIG. 1. FIG. 7 is a perspective view of the design of a cover for an exhaust port of a road construction machine of FIG. 1; and, FIG. 8 is a further perspective view of the rear side, right side and top side for an exhaust port of a road construction machine of FIG. 1.

(56) **References Cited**

**U.S. PATENT DOCUMENTS**

D135,005 S 2/1943 Baumgardner  
2,591,502 A 4/1952 Bohannan et al.  
2,732,913 A \* 1/1956 Higgins ..... 96/386  
2,779,258 A 1/1957 Johnson  
D184,043 S 12/1958 Dodge  
2,887,033 A \* 5/1959 Wachter, Jr. .... 454/2  
3,000,277 A 9/1961 Crane et al.  
D199,181 S \* 9/1964 Walker ..... D12/194  
D210,658 S 4/1968 Lazzeroni  
3,405,613 A 10/1968 Gustafson  
3,453,939 A 7/1969 Pollitz et al.  
3,561,816 A 2/1971 Koch  
3,699,855 A 10/1972 Leister

**1 Claim, 8 Drawing Sheets**



# US D668,691 S

## U.S. PATENT DOCUMENTS

3,997,277 A 12/1976 Swisher et al.  
D248,463 S \* 7/1978 Barnes ..... D12/194  
4,196,344 A 4/1980 Kuze  
4,387,915 A \* 6/1983 Adickes ..... 285/330  
D275,199 S 8/1984 Schmidt et al.  
D281,881 S 12/1985 Swartzendruber et al.  
D284,668 S 7/1986 Salley et al.  
D284,669 S 7/1986 Clark et al.  
D284,767 S 7/1986 Clark et al.  
D285,081 S 8/1986 Wood  
4,667,582 A \* 5/1987 Davison et al. .... 454/5  
4,674,928 A 6/1987 Lyman  
4,721,031 A 1/1988 Nakata et al.  
4,742,766 A \* 5/1988 Davison et al. .... 454/5  
D301,039 S \* 5/1989 Funabashi et al. .... D15/23  
D306,450 S 3/1990 Funabashi et al.  
5,009,546 A 4/1991 Domenighetti et al.  
D317,011 S 5/1991 Boddin et al.  
5,044,653 A \* 9/1991 Savanella ..... 280/421  
D329,435 S 9/1992 Katoh et al.  
5,152,364 A \* 10/1992 Woods et al. .... 180/292  
5,170,020 A \* 12/1992 Kruger et al. .... 181/211  
5,201,603 A 4/1993 Bassett et al.  
5,201,604 A 4/1993 Ferguson et al.  
5,250,930 A 10/1993 Yoshida et al.  
5,269,626 A 12/1993 Soliman et al.  
5,321,215 A \* 6/1994 Kicinski ..... 181/211  
D348,553 S 7/1994 Martin  
5,356,238 A 10/1994 Musil et al.  
D357,665 S \* 4/1995 Creyts ..... D12/194  
D362,449 S 9/1995 Swisher  
5,460,236 A \* 10/1995 Lewis et al. .... 180/267  
D363,908 S \* 11/1995 Maag ..... D12/194  
5,511,900 A 4/1996 Macku  
D369,583 S \* 5/1996 Shirley ..... D12/194  
D370,917 S 6/1996 Swisher  
5,615,973 A 4/1997 Campbell  
5,695,238 A 12/1997 Calamari et al.  
D392,928 S \* 3/1998 Erion et al. .... D12/194  
D398,289 S 9/1998 Burke  
D418,469 S \* 1/2000 Whisenhunt ..... D12/194  
6,071,040 A 6/2000 Macku et al.  
6,086,287 A 7/2000 Sharpe et al.  
6,099,205 A 8/2000 Macku et al.  
6,189,955 B1 2/2001 Fryk et al.  
6,193,437 B1 2/2001 Heims  
6,309,138 B1 10/2001 Yasu et al.  
6,375,386 B1 4/2002 Macku et al.  
D458,201 S \* 6/2002 Warren ..... D12/194  
6,584,768 B1 \* 7/2003 Hecker et al. .... 60/297  
6,637,537 B2 \* 10/2003 Porter et al. .... 180/309  
6,688,682 B2 2/2004 Arthur et al.  
6,832,872 B2 \* 12/2004 Koelm et al. .... 404/108  
D501,812 S \* 2/2005 Ramelot ..... D12/194  
D503,928 S 4/2005 Obata  
D507,281 S 7/2005 Komatsu et al.  
D507,800 S 7/2005 Kuwae et al.

D525,212 S 7/2006 Kim  
D534,469 S \* 1/2007 Murkett ..... D12/194  
D534,848 S \* 1/2007 Murkett ..... D12/194  
D537,396 S \* 2/2007 Drew et al. .... D12/194  
D539,715 S \* 4/2007 Lai ..... D12/194  
D539,716 S \* 4/2007 Kulla ..... D12/194  
D540,232 S \* 4/2007 Lai ..... D12/194  
7,207,172 B2 \* 4/2007 Willix et al. .... 60/317  
D549,629 S \* 8/2007 Davidson ..... D12/194  
D553,062 S \* 10/2007 Murkett ..... D12/194  
D579,842 S \* 11/2008 Ren ..... D12/194  
D583,287 S \* 12/2008 Shimokawa ..... D12/194  
D587,797 S \* 3/2009 Blanchard ..... D23/370  
D597,915 S \* 8/2009 Bhambra ..... D12/194  
D600,186 S \* 9/2009 Bhambra ..... D12/194  
D601,180 S \* 9/2009 Takeda ..... D16/235  
7,678,168 B2 \* 3/2010 Connelly et al. .... 55/385.3  
D622,647 S \* 8/2010 Hilton et al. .... D12/194  
D624,375 S \* 9/2010 Pifer ..... D8/29.1  
D627,284 S \* 11/2010 Faszler et al. .... D12/194  
D631,417 S \* 1/2011 Lai ..... D12/194  
D631,809 S \* 2/2011 Lai ..... D12/194  
7,937,936 B2 \* 5/2011 Recker et al. .... 60/297  
7,958,966 B2 \* 6/2011 Smith ..... 181/264  
D642,506 S \* 8/2011 Faszler et al. .... D12/194  
D654,416 S \* 2/2012 Lemon ..... D12/194  
2002/0117346 A1 \* 8/2002 Porter et al. .... 180/309  
2003/0143024 A1 7/2003 Sharpe et al.  
2004/0088968 A1 \* 5/2004 Koelm et al. .... 60/282  
2005/0105232 A1 5/2005 Taylor  
2005/0133292 A1 6/2005 Ginzel et al.  
2006/0045624 A1 3/2006 Nelson  
2006/0243506 A1 11/2006 Dolesh et al.  
2007/0056786 A1 \* 3/2007 Fukazawa et al. .... 180/89.12  
2008/0168764 A1 \* 7/2008 Recker et al. .... 60/297  
2008/0236693 A1 \* 10/2008 Muzzy et al. .... 138/108  
2009/0120066 A1 \* 5/2009 VanderGriend et al. .... 60/285  
2011/0000199 A1 \* 1/2011 Ezawa et al. .... 60/311  
2011/0023472 A1 \* 2/2011 Saito et al. .... 60/311  
2011/0120085 A1 \* 5/2011 Saito et al. .... 60/272  
2011/0192153 A1 \* 8/2011 Schmidt ..... 60/317  
2011/0214419 A1 \* 9/2011 Castner et al. .... 60/317  
2011/0283687 A1 \* 11/2011 Dobler et al. .... 60/299  
2012/0042637 A1 \* 2/2012 Roozenboom et al. .... 60/297  
2012/0079810 A1 \* 4/2012 Abe et al. .... 60/272

## OTHER PUBLICATIONS

U.S. Appl. No. 29/412,296, filed Feb. 1, 2012.  
U.S. Appl. No. 29/412,335, filed Feb. 1, 2012.  
U.S. Appl. No. 29/412,292, filed Feb. 1, 2012.  
U.S. Appl. No. 29/412,330, filed Feb. 1, 2012.  
U.S. Appl. No. 29/412,298, filed Feb. 1, 2012.  
U.S. Appl. No. 29/412,340, filed Feb. 1, 2012.  
U.S. Appl. No. 29/412,328, filed Feb. 1, 2012.  
U.S. Appl. No. 29/412,337, filed Feb. 1, 2012.  
U.S. Appl. No. 29/412,329, filed Feb. 1, 2012.

\* cited by examiner



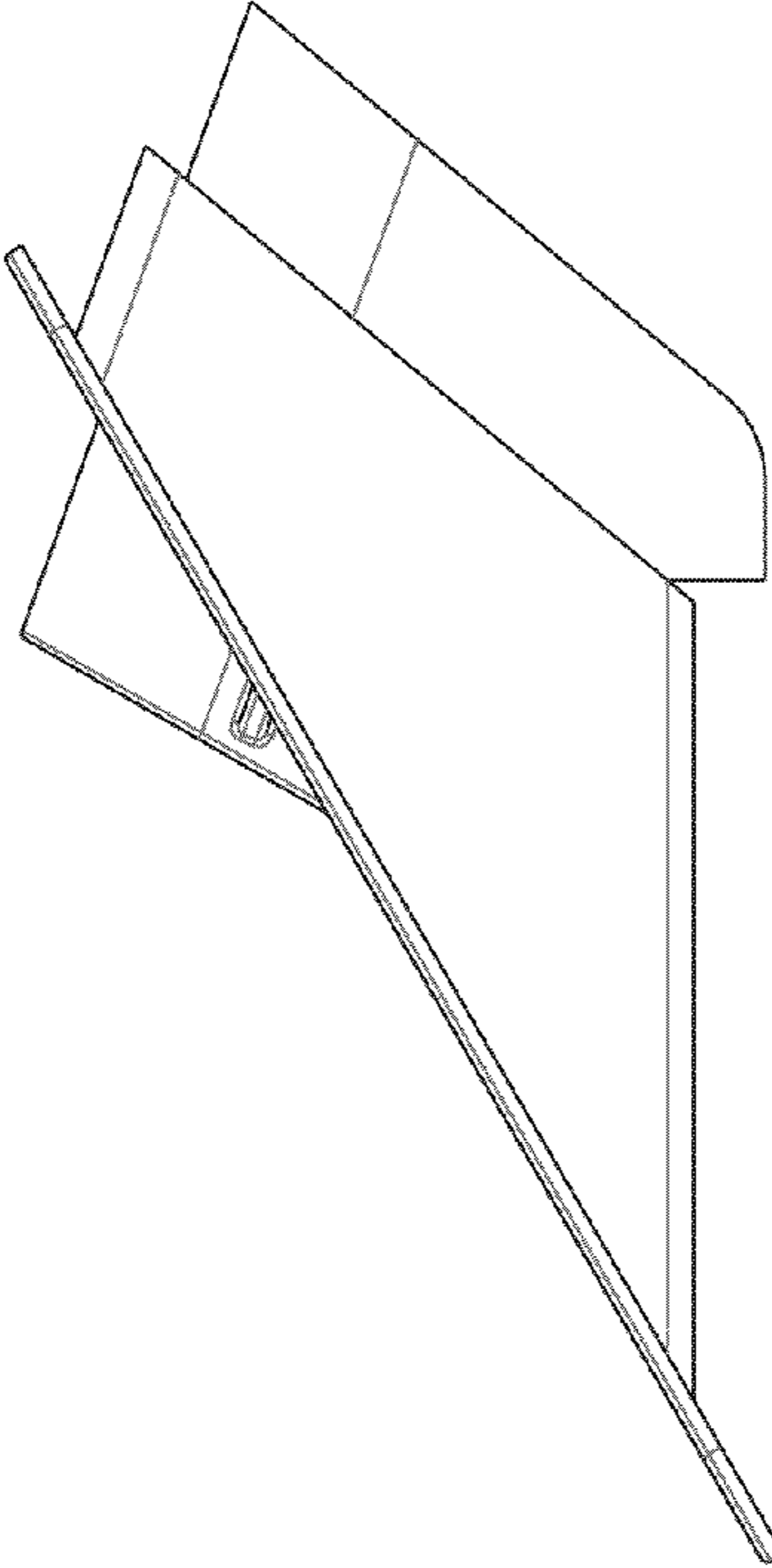


FIG. 1

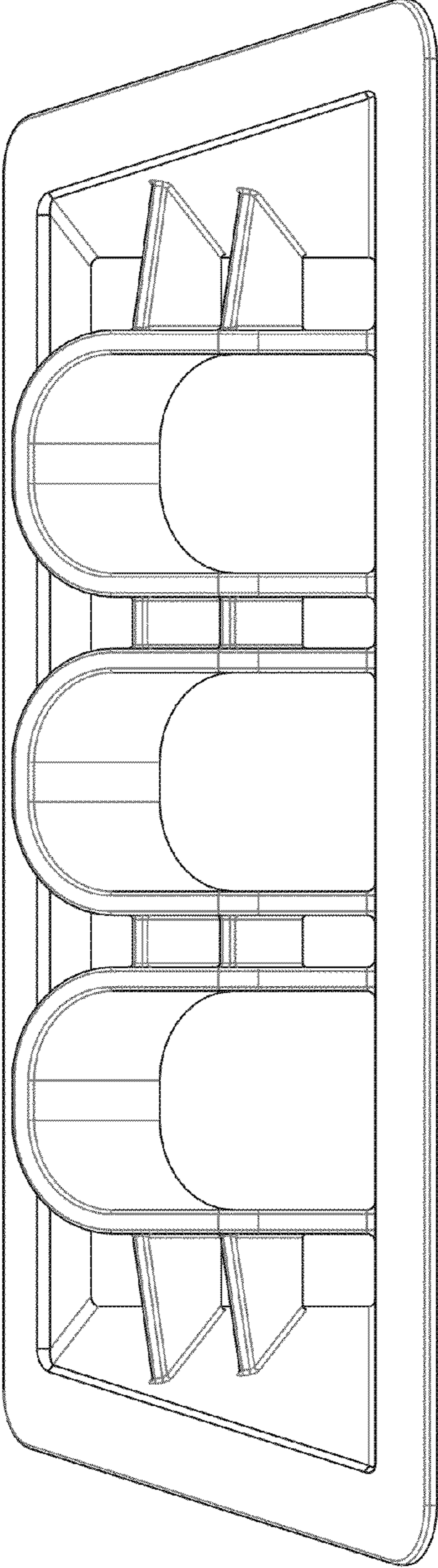


FIG. 2

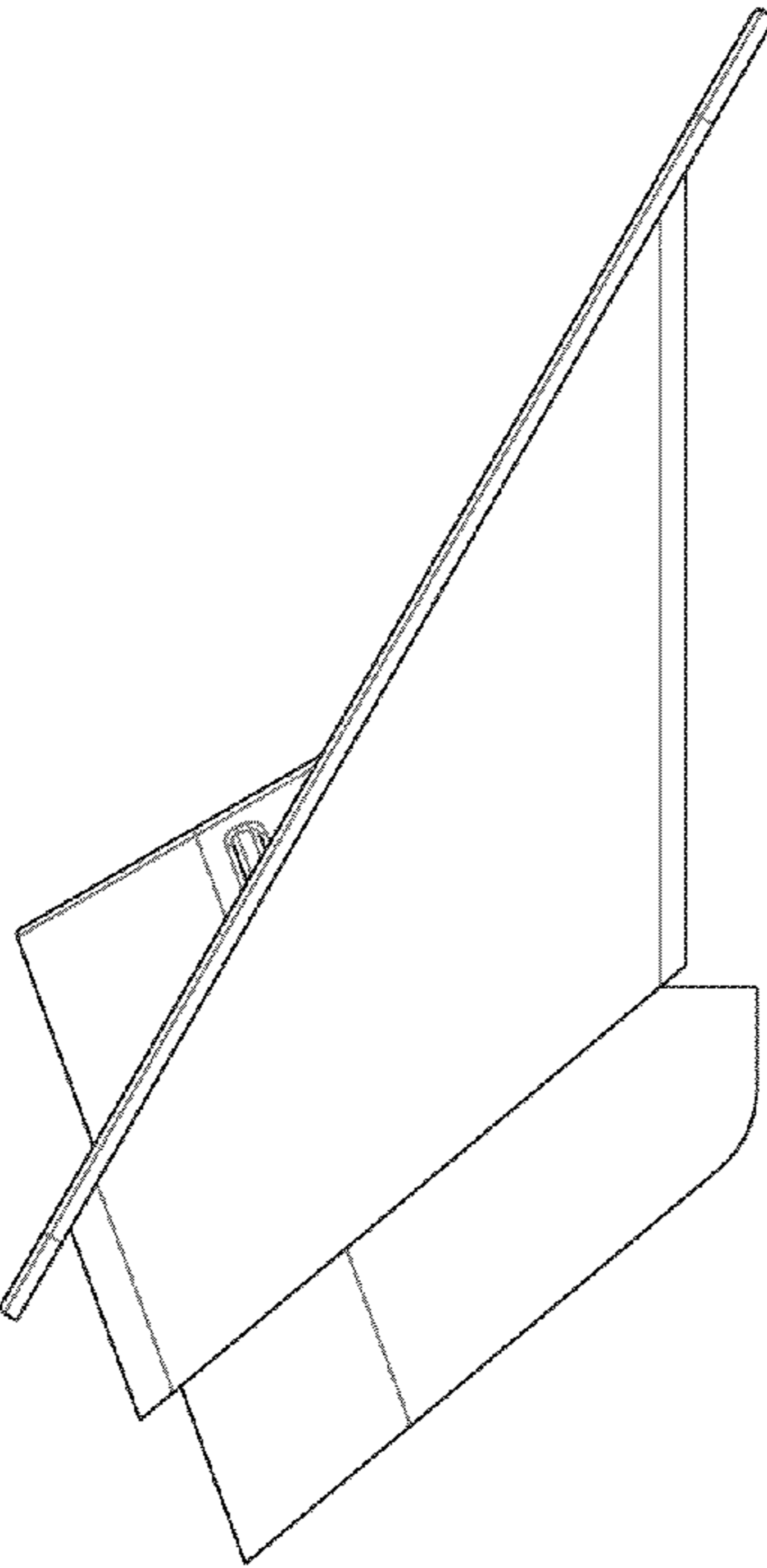


FIG. 3

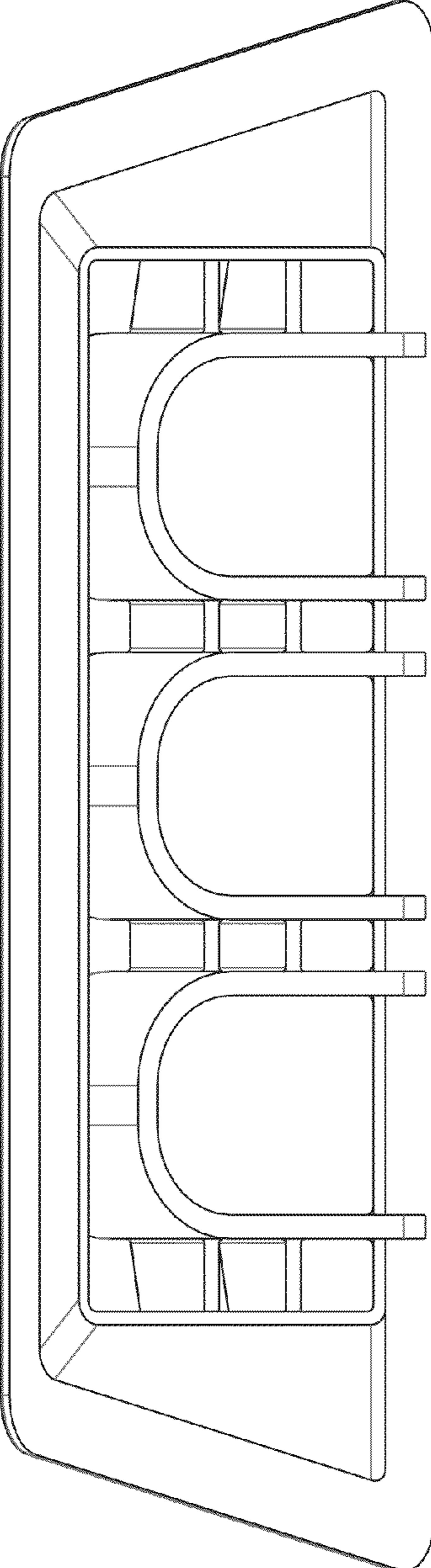


FIG. 4

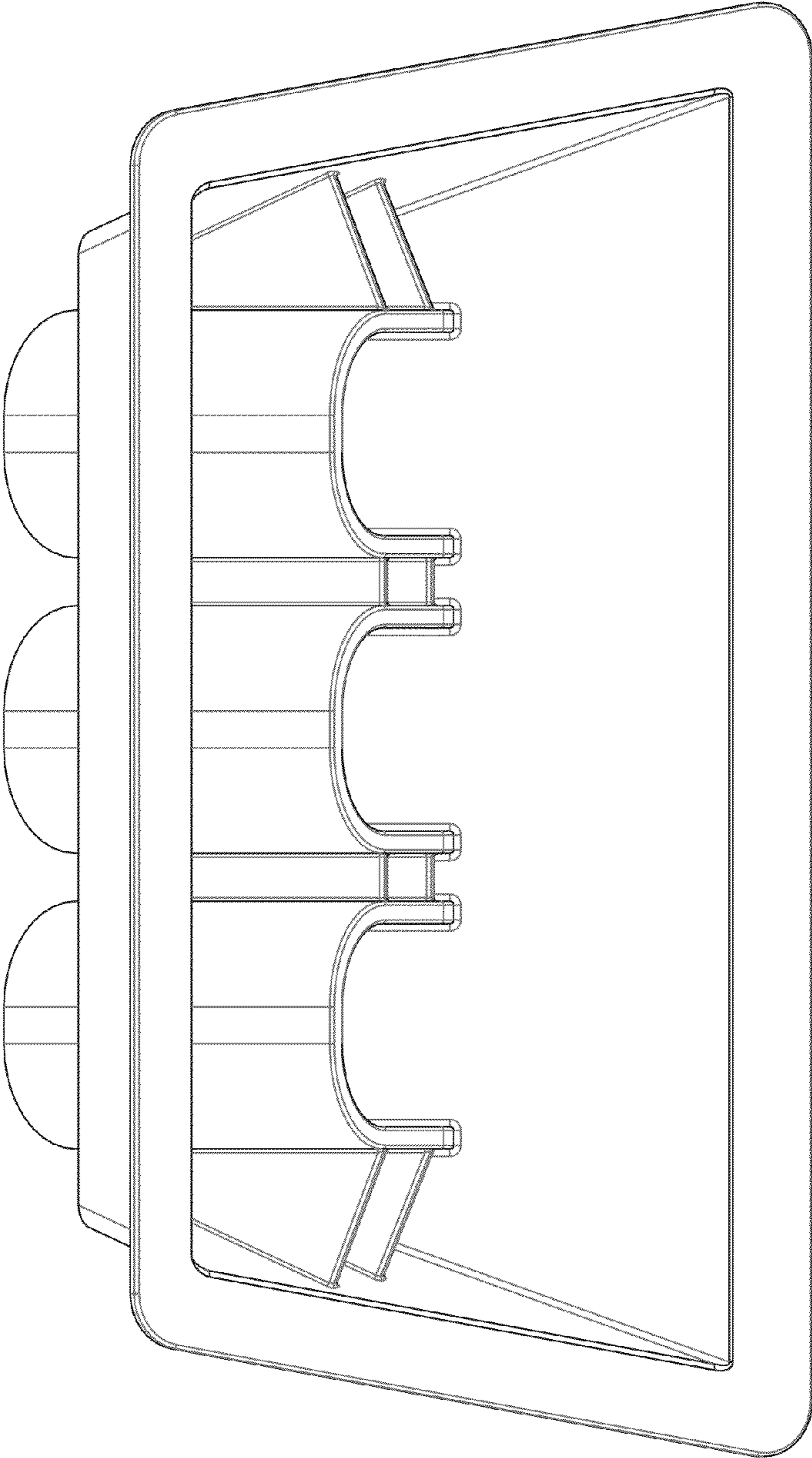


FIG. 5

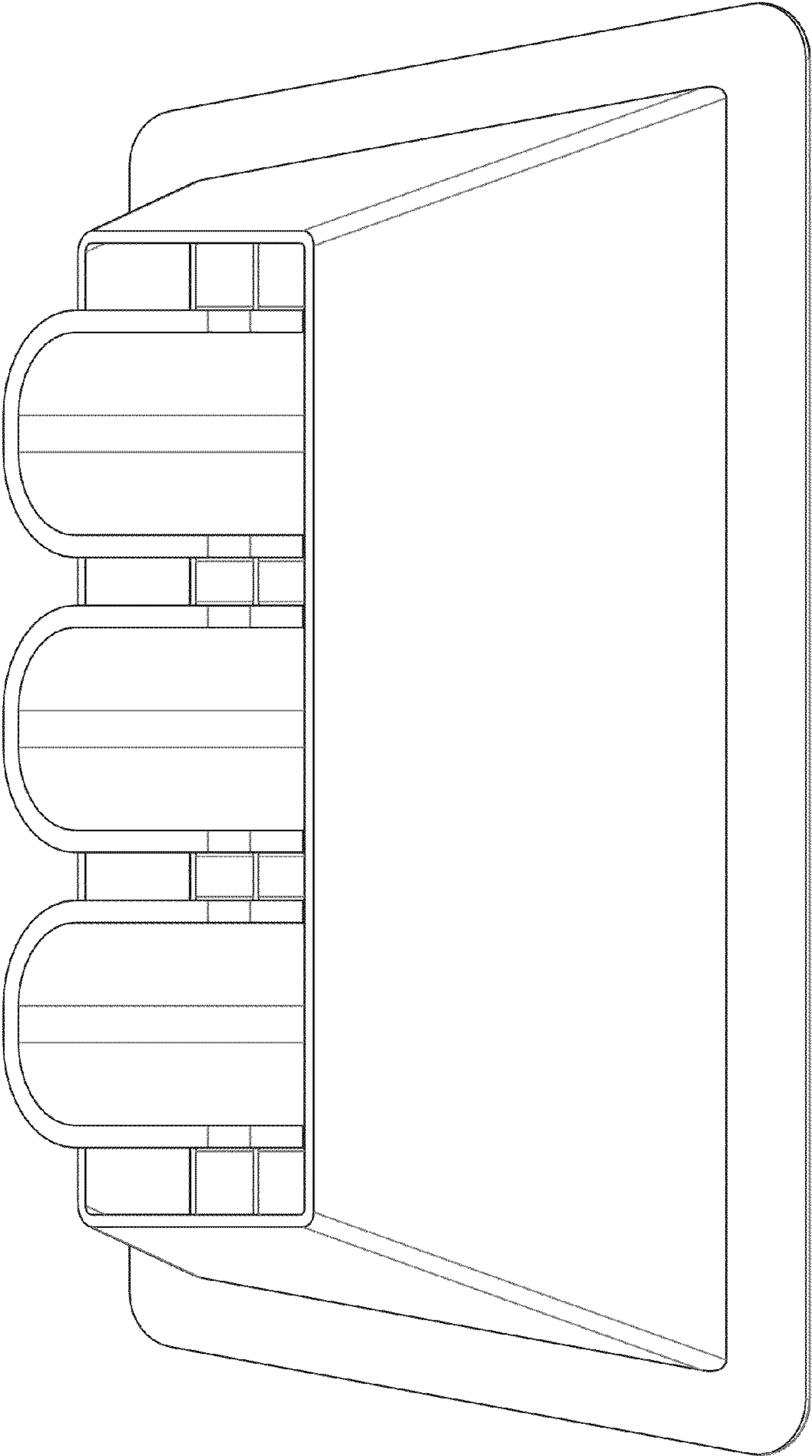


FIG. 6



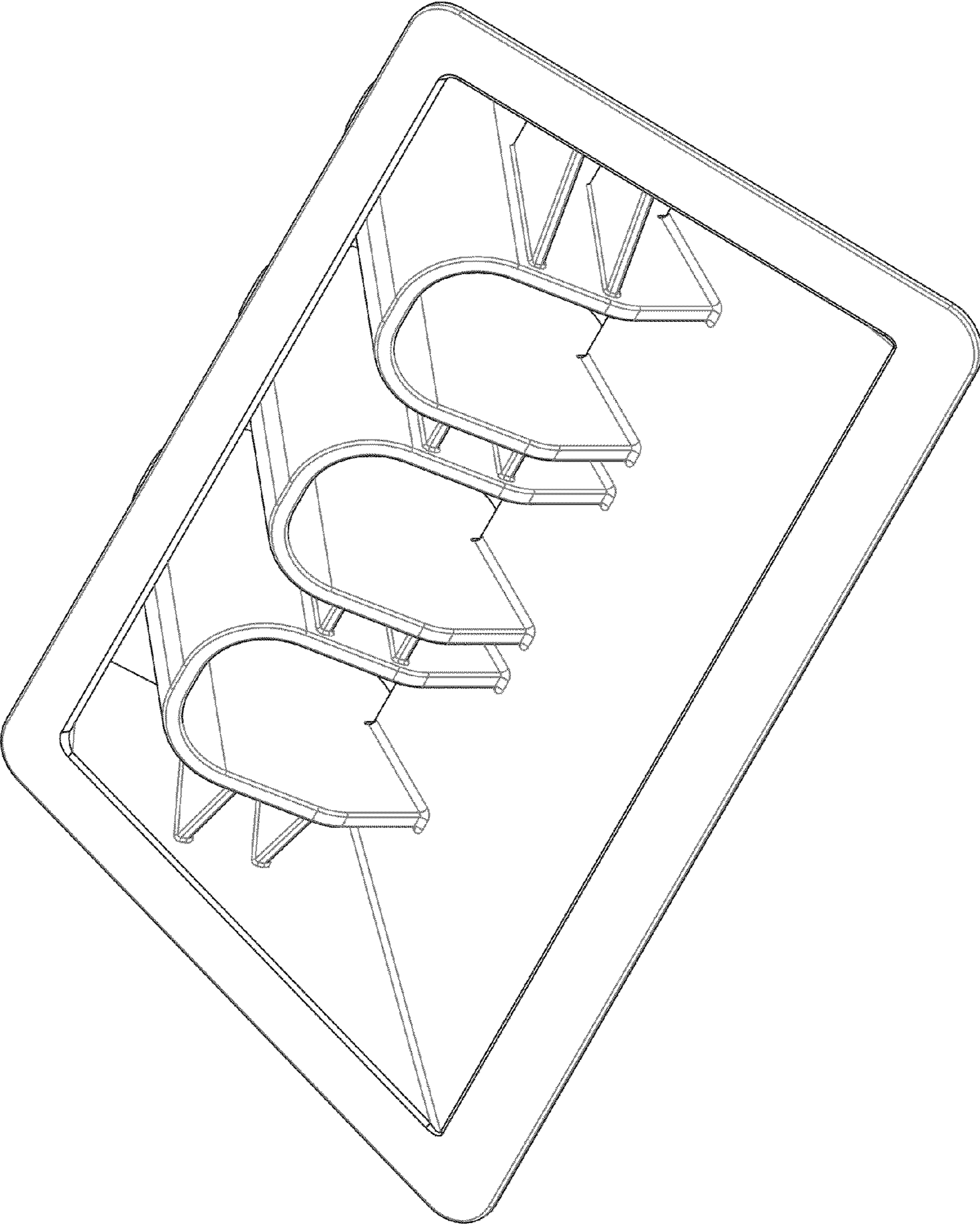


FIG. 7

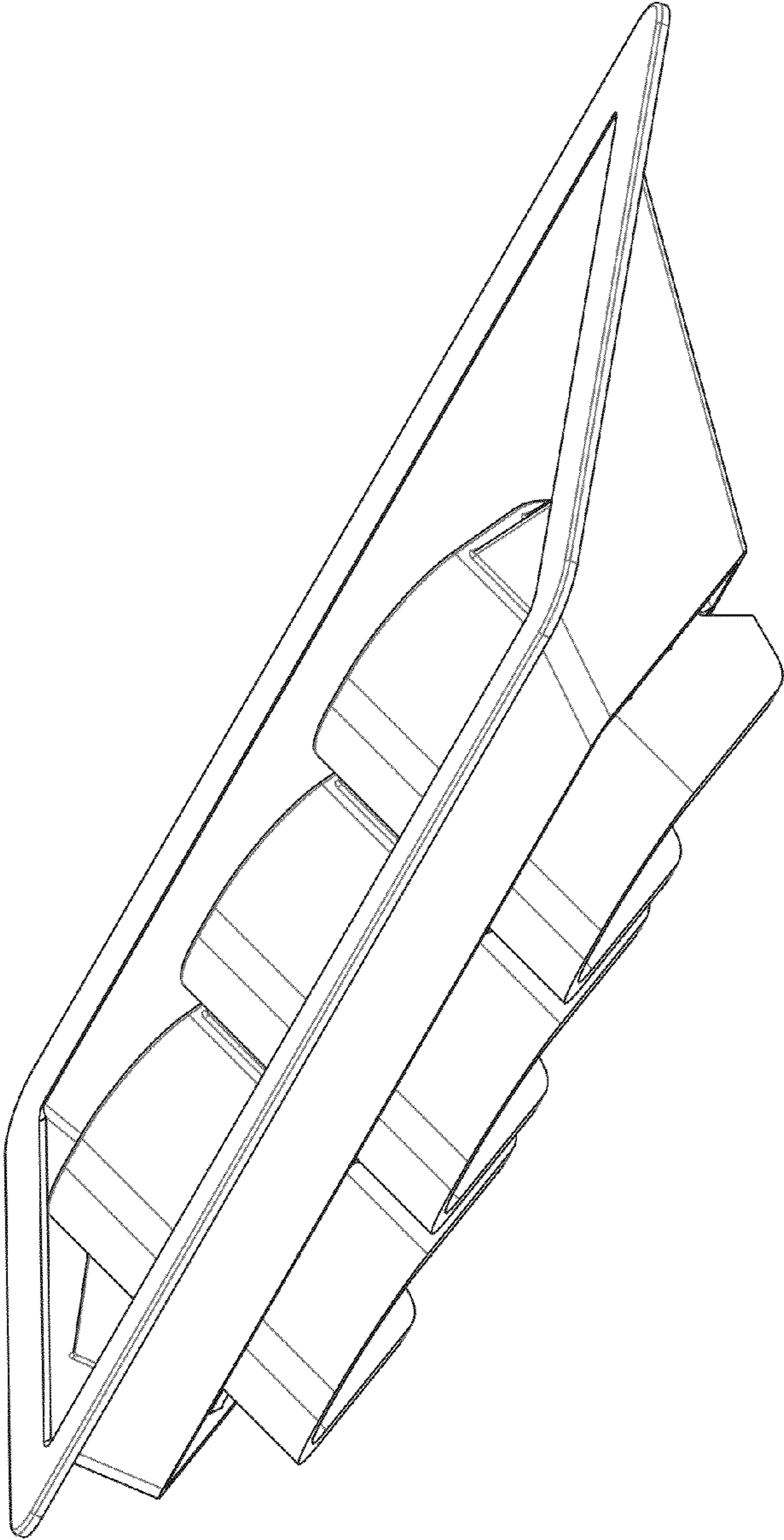


FIG. 8