



US00D668686S

(12) **United States Design Patent**
Lins et al.

(10) **Patent No.:** **US D668,686 S**
(45) **Date of Patent:** **** Oct. 9, 2012**

(54) **LINE STRIPER**

(75) Inventors: **Christopher A. Lins**, Crystal, MN (US);
James C. Schroeder, Ramsey, MN
(US); **Barry W. Mattson**, Elk River, MN
(US); **Douglas S. Ryder**, St. Michael,
MN (US); **Brian M. Mulgrew**, St.
Francis, MN (US); **Thomas L. Triplett**,
Rockford, MN (US); **Steven R.**
Kuczenski, New Brighton, MN (US)

(73) Assignee: **Graco Minnesota Inc.**, Minneapolis,
MN (US)

(**) Term: **14 Years**

(21) Appl. No.: **29/416,571**

(22) Filed: **Mar. 23, 2012**

(51) **LOC (9) Cl.** **15-03**

(52) **U.S. Cl.** **D15/10; D15/22**

(58) **Field of Classification Search** D15/10-13,
D15/22; D23/213, 225; 118/305; 427/137;
239/150, 146, 147, 172, 155, 159, 164, 165,
239/176, 683-687; 404/93, 94

See application file for complete search history.

(56) **References Cited**

U.S. PATENT DOCUMENTS

1,999,563	A *	4/1935	Glasgow	239/123
3,373,938	A *	3/1968	Sweet	239/148
4,313,780	A *	2/1982	Ford, Jr.	156/523
4,624,602	A *	11/1986	Kieffer et al.	404/94
4,861,190	A *	8/1989	Glassel	404/93
4,877,348	A *	10/1989	Opie	404/93
4,893,751	A *	1/1990	Armstrong	239/150
D324,053	S *	2/1992	Smrt	D15/13
5,213,480	A *	5/1993	Yedinak et al.	417/234
5,263,789	A *	11/1993	Torntore et al.	404/93

5,302,207	A *	4/1994	Jurcisin	118/713
5,312,043	A *	5/1994	Whitney	239/754
D349,711	S *	8/1994	Torntore et al.	D15/13
5,368,232	A *	11/1994	Schroeder	239/165
D354,288	S *	1/1995	Pena	D15/13
5,947,385	A *	9/1999	Lanerd et al.	239/172
D565,603	S *	4/2008	Viner et al.	D15/13
7,611,076	B1 *	11/2009	Street et al.	239/176
7,673,815	B2 *	3/2010	Schroeder et al.	239/332
D619,625	S *	7/2010	Schroeder et al.	D15/13
2004/0037645	A1 *	2/2004	Harrison	404/94
2008/0099579	A1 *	5/2008	Schroeder et al.	239/150
2009/0087263	A1 *	4/2009	Martinez et al.	404/94
2010/0072717	A1 *	3/2010	Liska	280/47.371

OTHER PUBLICATIONS

Graco Inc. "LineLazer IV" Repair—Parts List Revised Sep. 2011.
Toro GrandStand Stand-On Mower, web page printed Mar. 23, 2012.

* cited by examiner

Primary Examiner — Mark Goodwin

(74) *Attorney, Agent, or Firm* — Douglas B. Farrow

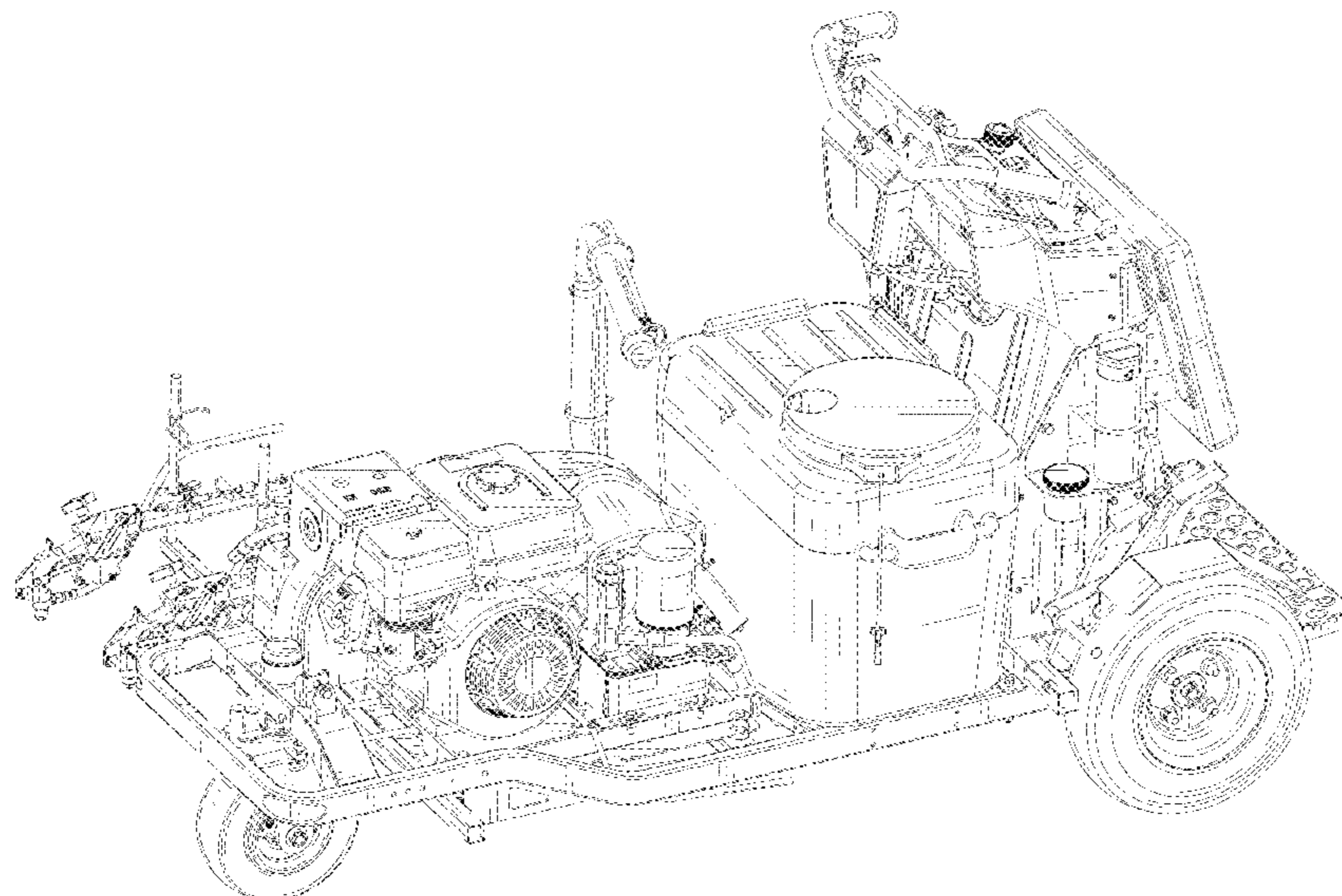
(57) **CLAIM**

The ornamental design for a line striper, as shown and described.

DESCRIPTION

FIG. 1 is a front right isometric view of a line striper showing our new design;
FIG. 2 is a front left isometric view thereof;
FIG. 3 is a top view thereof;
FIG. 4 is a front view thereof;
FIG. 5 is a right view thereof;
FIG. 6 is a left view thereof;
FIG. 7 is a rear view thereof; and,
FIG. 8 is a bottom view thereof.

1 Claim, 8 Drawing Sheets



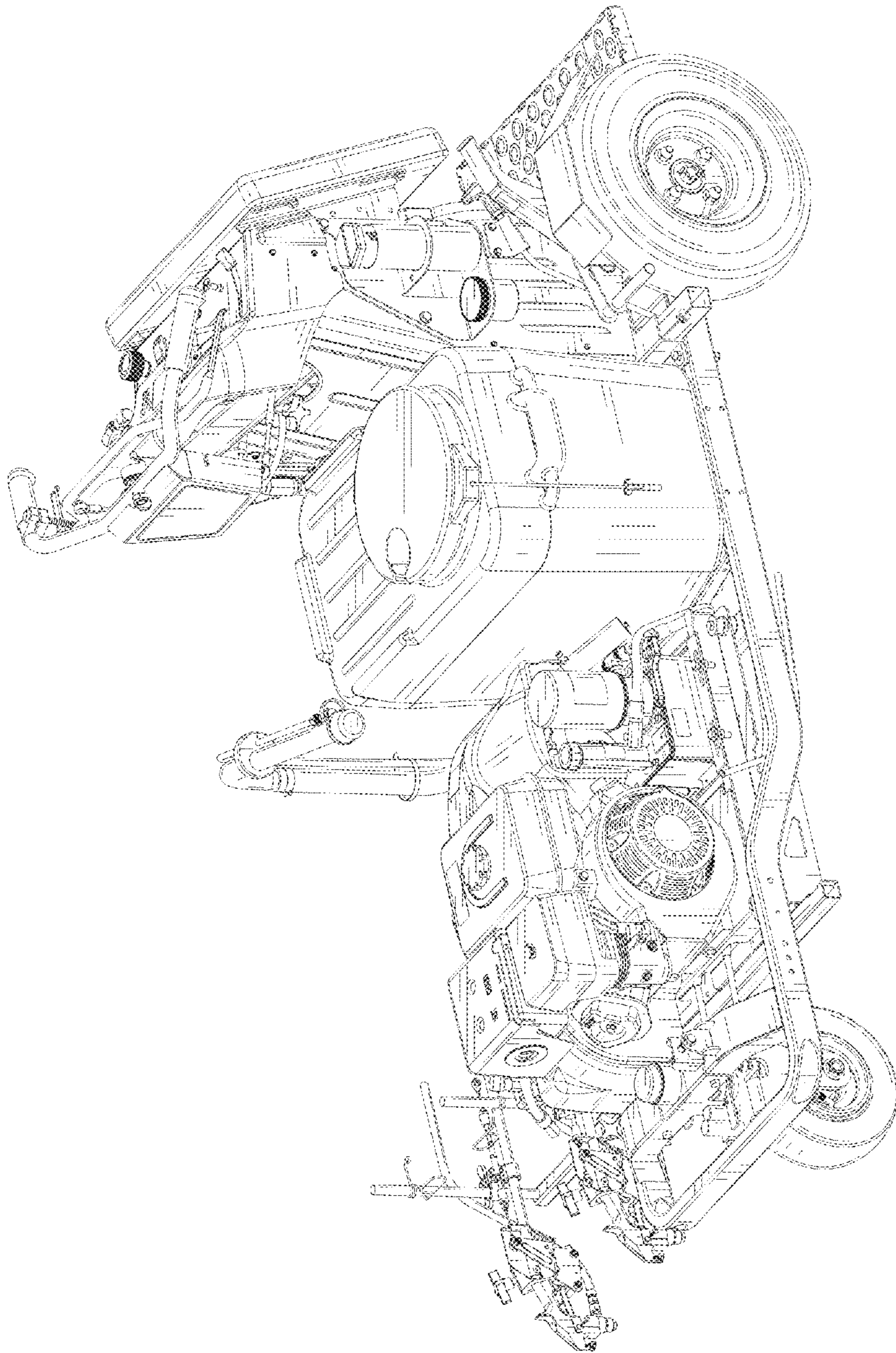


FIG. 1

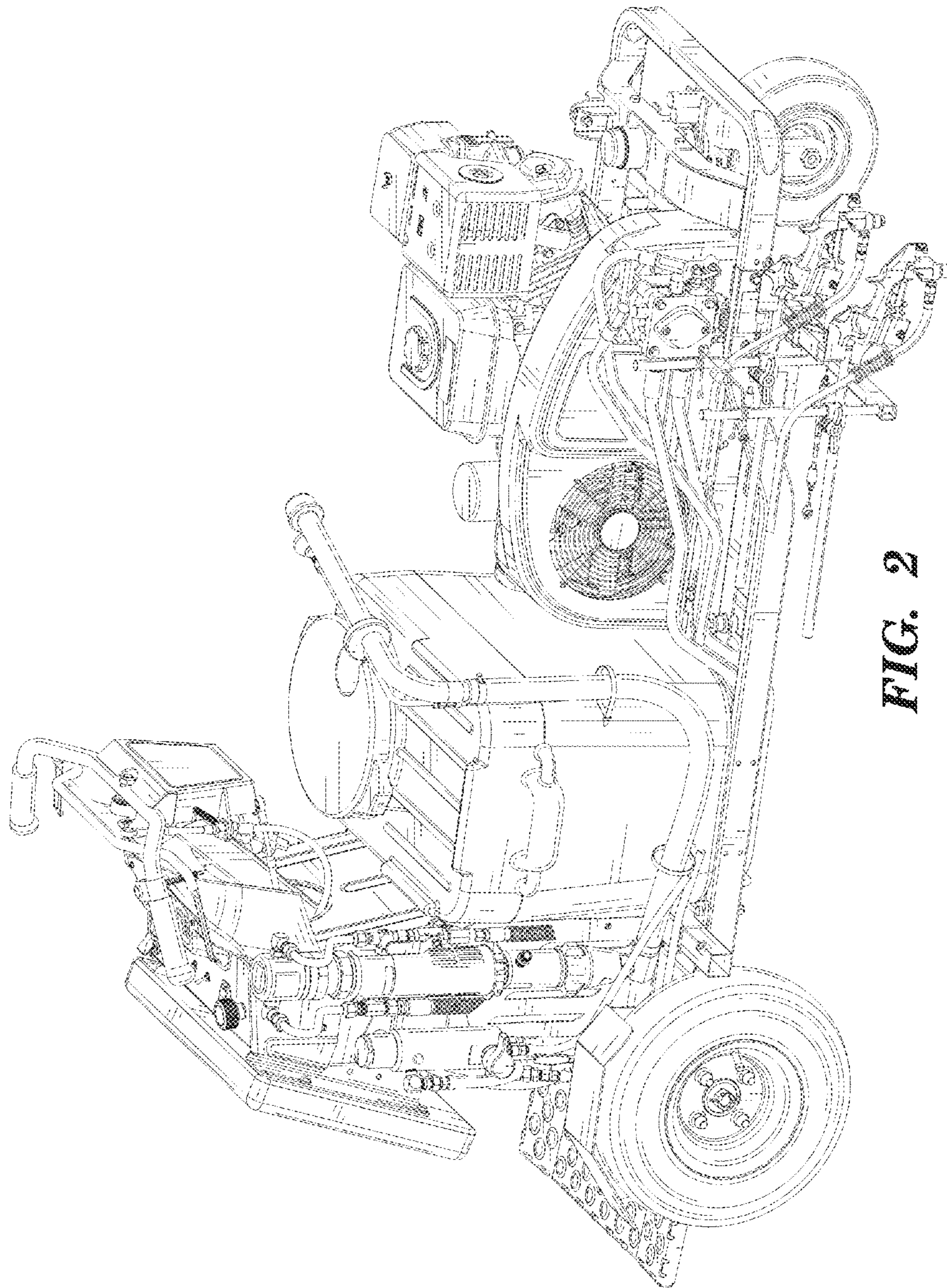


FIG. 2

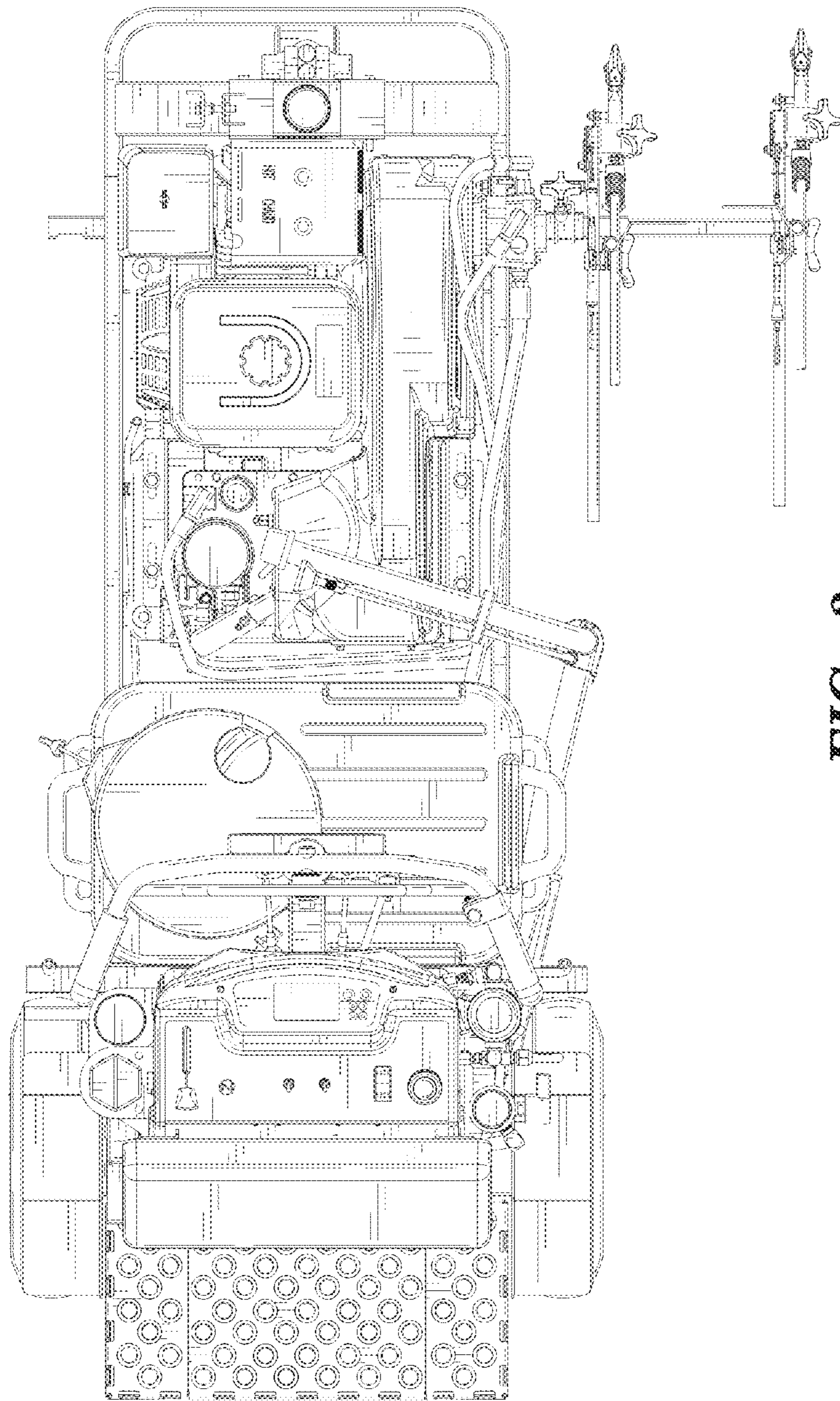


FIG. 3

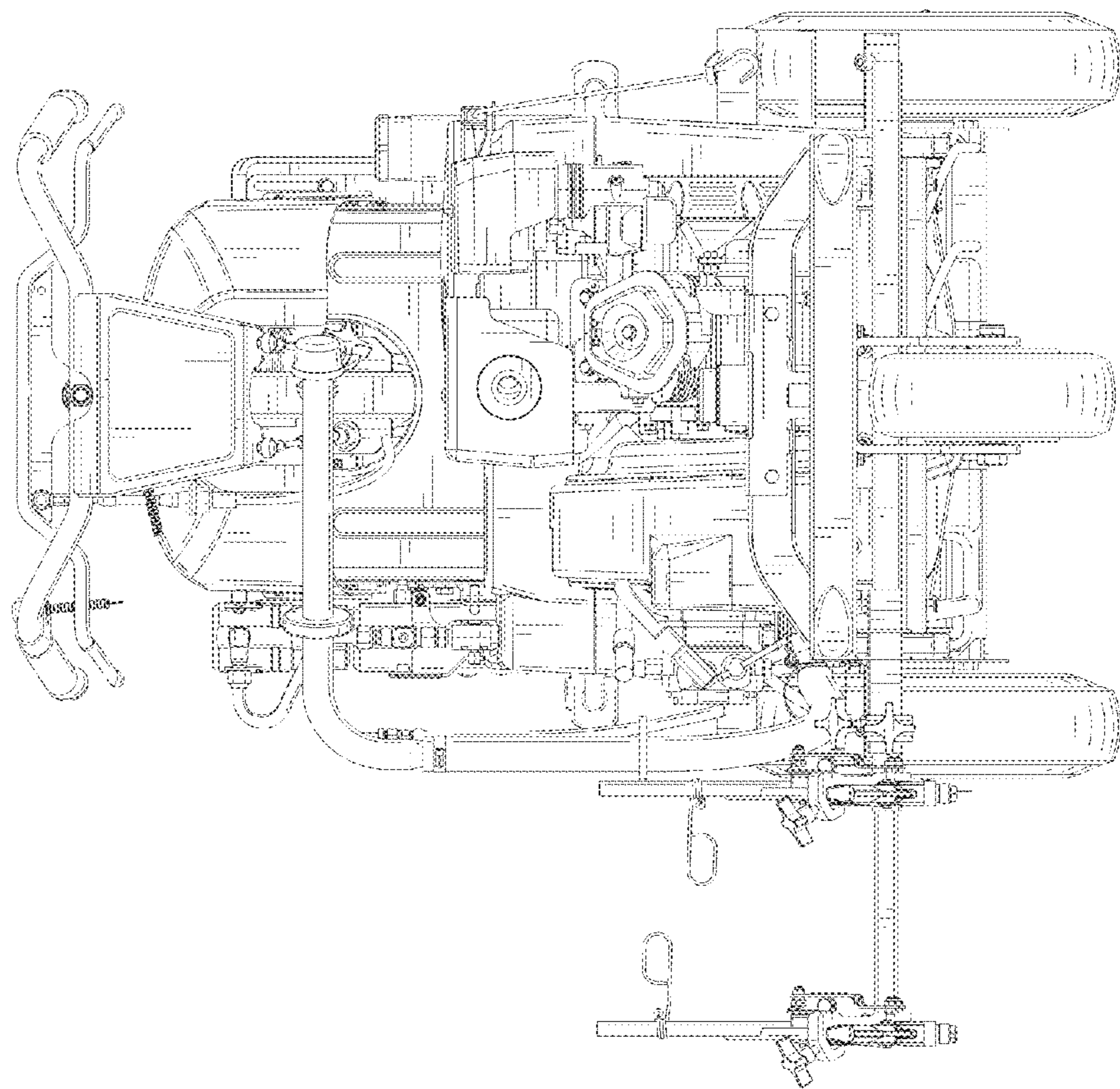


FIG. 4

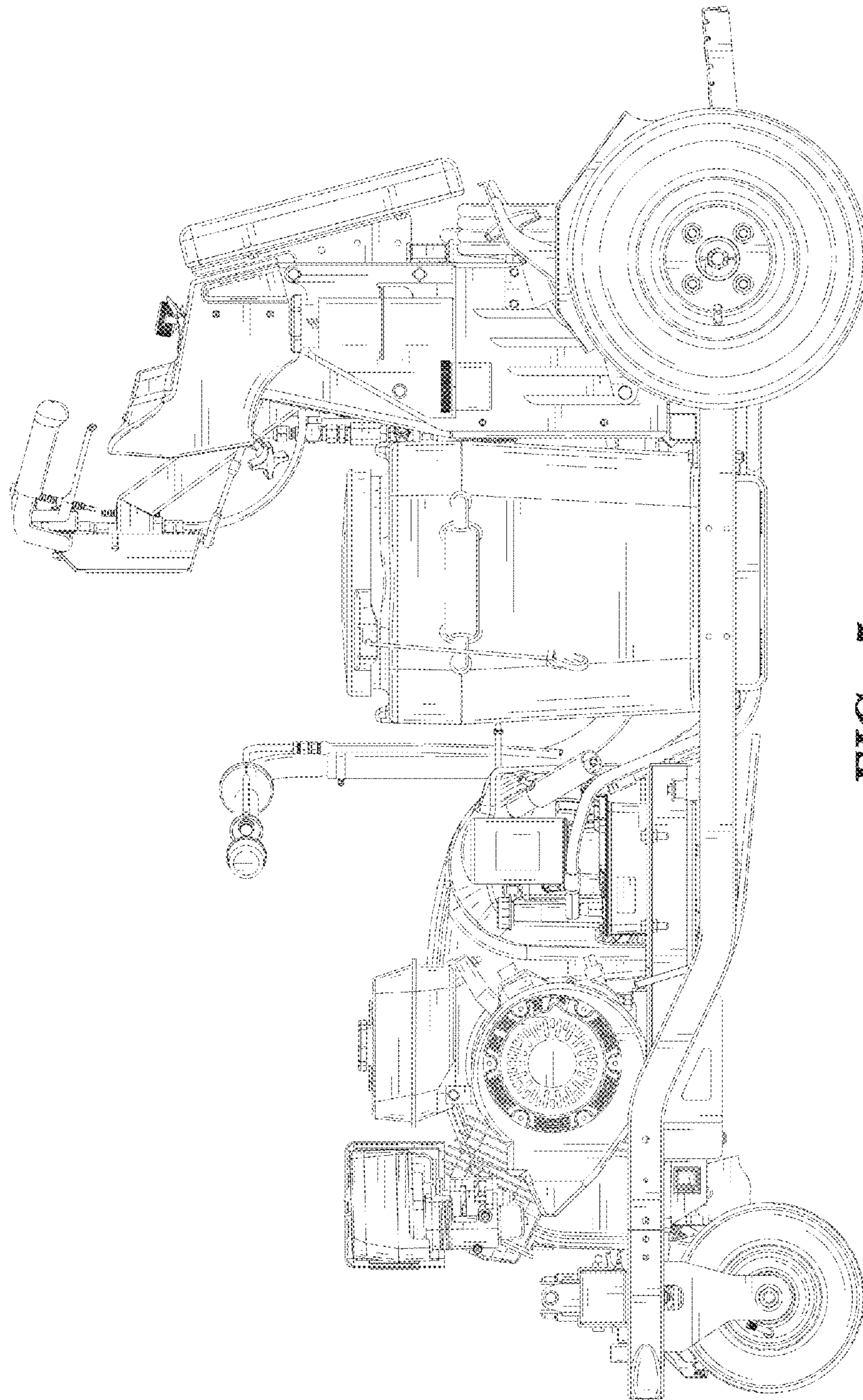


FIG. 5

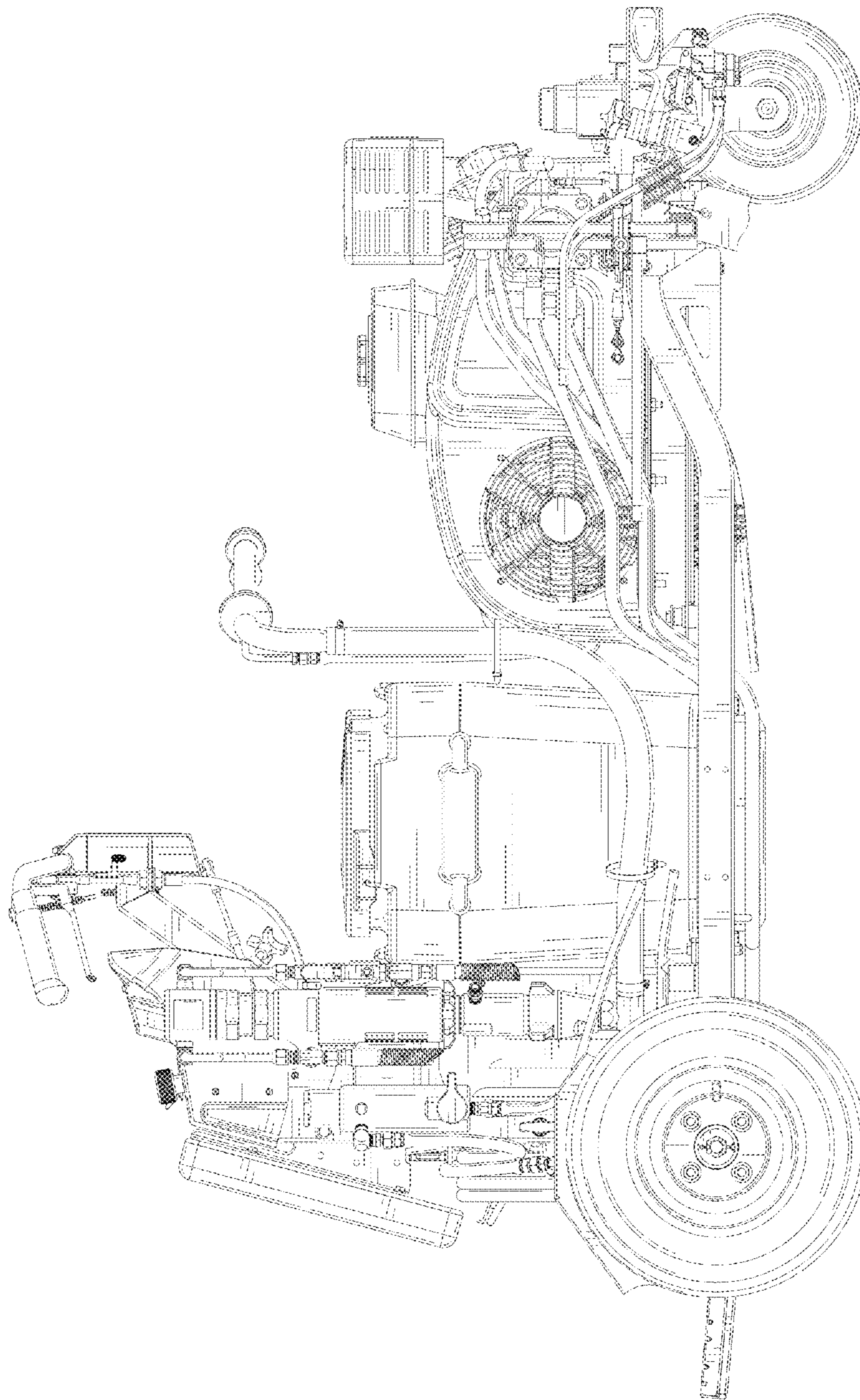


FIG. 6

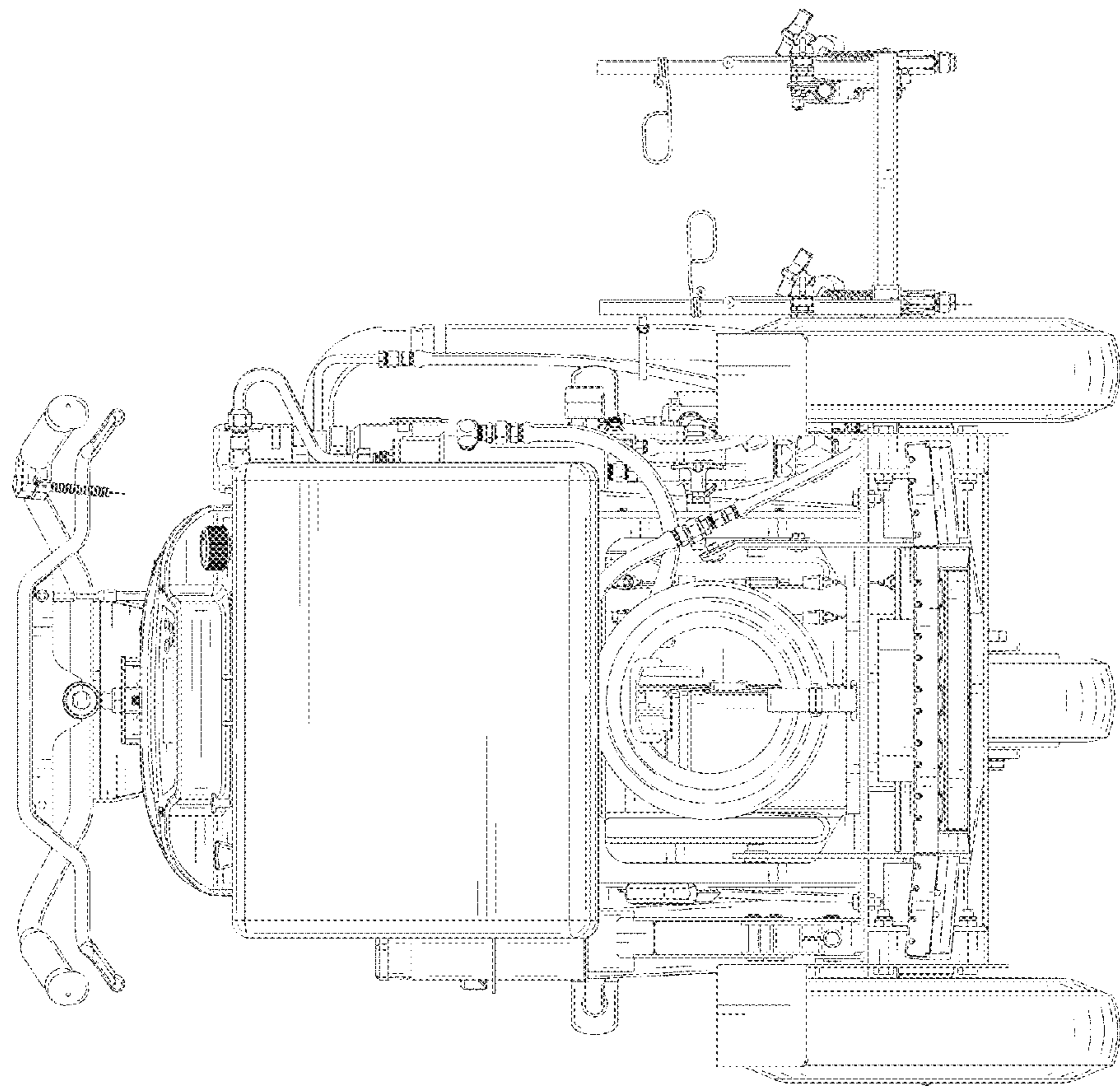


FIG. 7

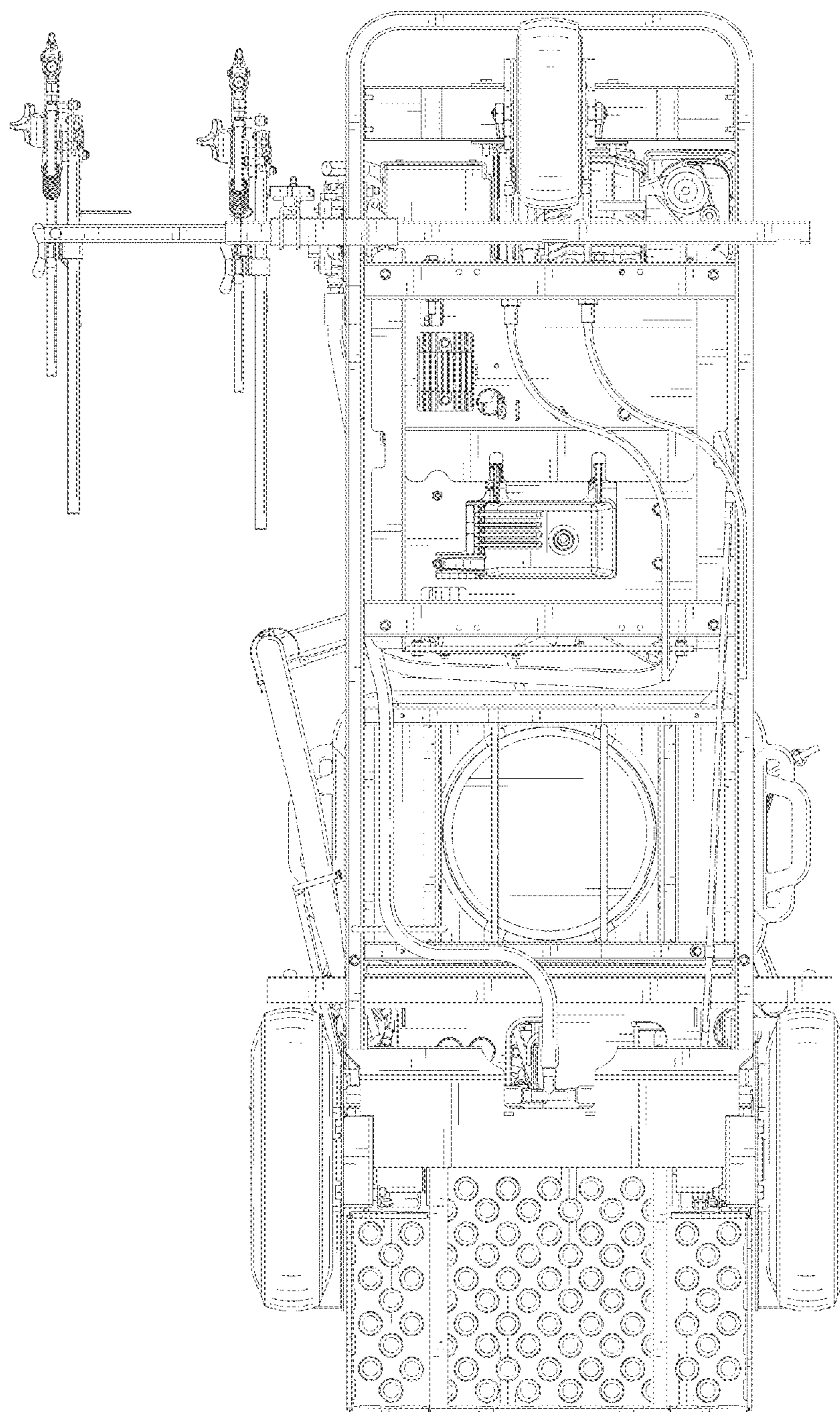


FIG. 8