



US00D668685S

(12) **United States Design Patent**  
**Haener**

(10) **Patent No.:** **US D668,685 S**  
(45) **Date of Patent:** **\*\* Oct. 9, 2012**

(54) **INFLATOR**

(75) Inventor: **Brandt A. Haener**, Los Osos, CA (US)

(73) Assignee: **Illinois Tool Works Inc.**, Glenview, IL (US)

(\*\*) Term: **14 Years**

(21) Appl. No.: **29/405,189**

(22) Filed: **Oct. 31, 2011**

(51) **LOC (9) Cl.** ..... **15-02**

(52) **U.S. Cl.** ..... **D15/9**

(58) **Field of Classification Search** ..... D15/7-9;  
D23/231, 232, 225; 417/410.1, 359, 415-416,  
417/234, 321, 265, 405

See application file for complete search history.

(56) **References Cited**

**U.S. PATENT DOCUMENTS**

D373,774 S *	9/1996	Chen	.....	D15/9
D499,745 S *	12/2004	Hsiao	.....	D15/9
D601,591 S *	10/2009	Chu	.....	D15/9
D614,673 S *	4/2010	Chen	.....	D15/9
D626,970 S *	11/2010	Moser et al.	.....	D15/9
D627,370 S *	11/2010	Moser et al.	.....	D15/9
D629,423 S *	12/2010	Varini	.....	D15/7

\* cited by examiner

*Primary Examiner* — Ralf Seifert

(74) *Attorney, Agent, or Firm* — Pauley Petersen & Erickson

(57) **CLAIM**

The ornamental design for an inflator, as shown and described.

**DESCRIPTION**

FIG. 1 is a front perspective view of an inflator according to one embodiment of this invention.

FIG. 2 is a front view of the inflator shown in FIG. 1.

FIG. 3 is a rear view of the inflator shown in FIG. 1.

FIG. 4 is a right side view of the inflator shown in FIG. 1.

FIG. 5 is a left side view of the inflator shown in FIG. 1.

FIG. 6 is a top view of the inflator shown in FIG. 1.

FIG. 7 is a bottom view of the inflator shown in FIG. 1.

FIG. 8 is a front perspective view of an inflator according to one embodiment of this invention.

FIG. 9 is a front view of the inflator shown in FIG. 8.

FIG. 10 is a rear view of the inflator shown in FIG. 8.

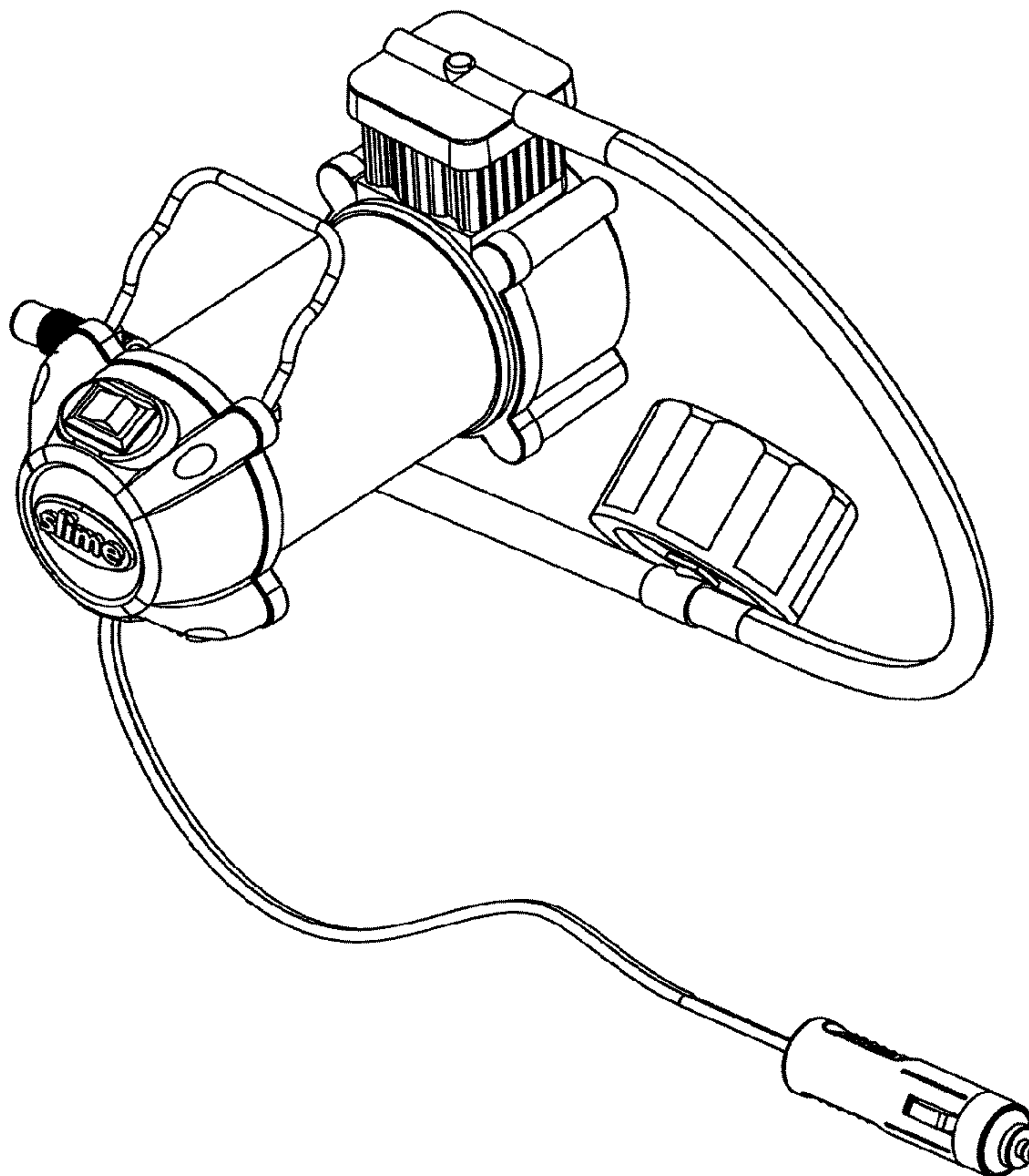
FIG. 11 is a left side view of the inflator shown in FIG. 8.

FIG. 12 is a right side view of the inflator shown in FIG. 8.

FIG. 13 is a top view of the inflator shown in FIG. 8; and,

FIG. 14 is a bottom view of the inflator shown in FIG. 8.

**1 Claim, 12 Drawing Sheets**



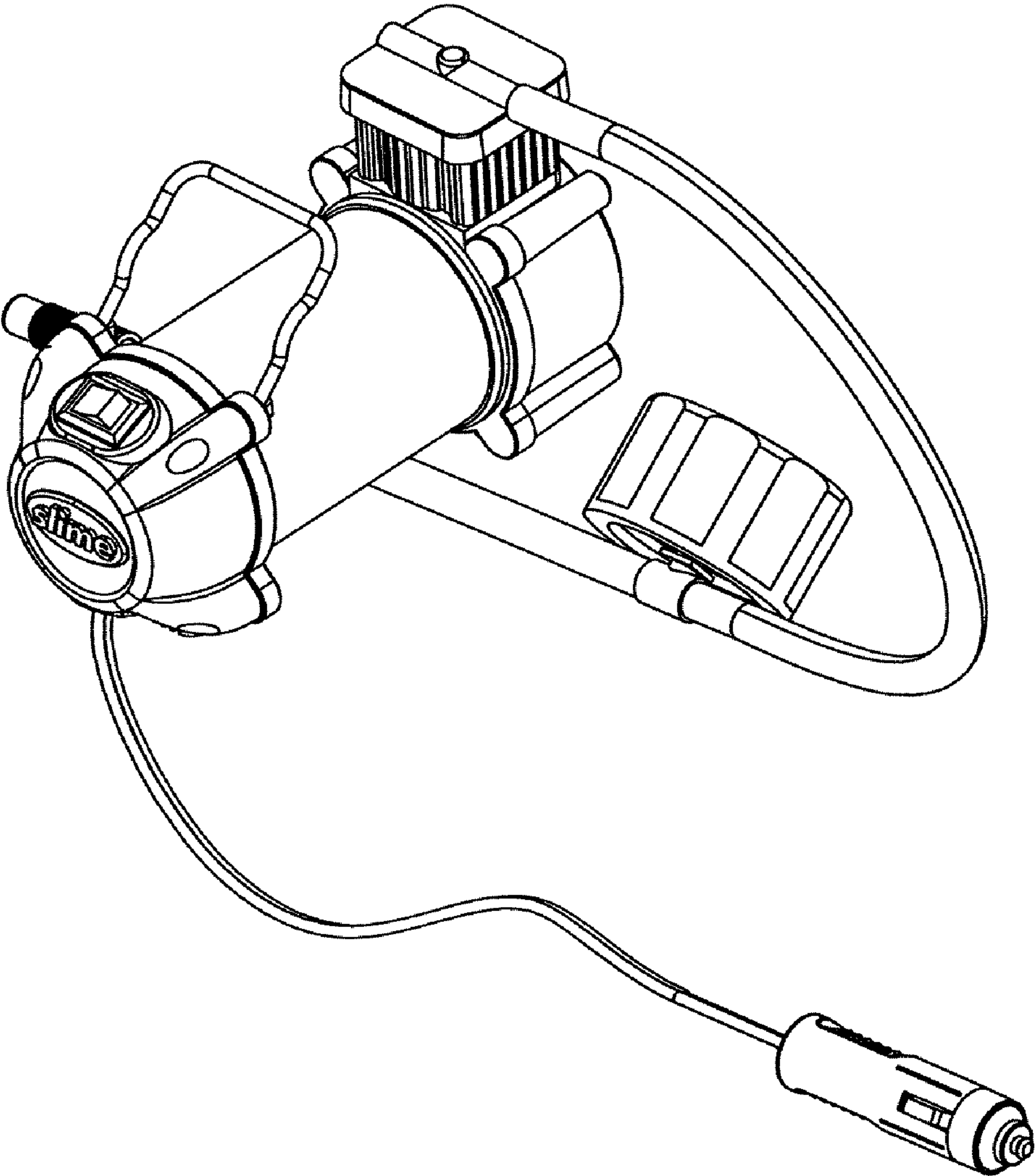


FIG. 1

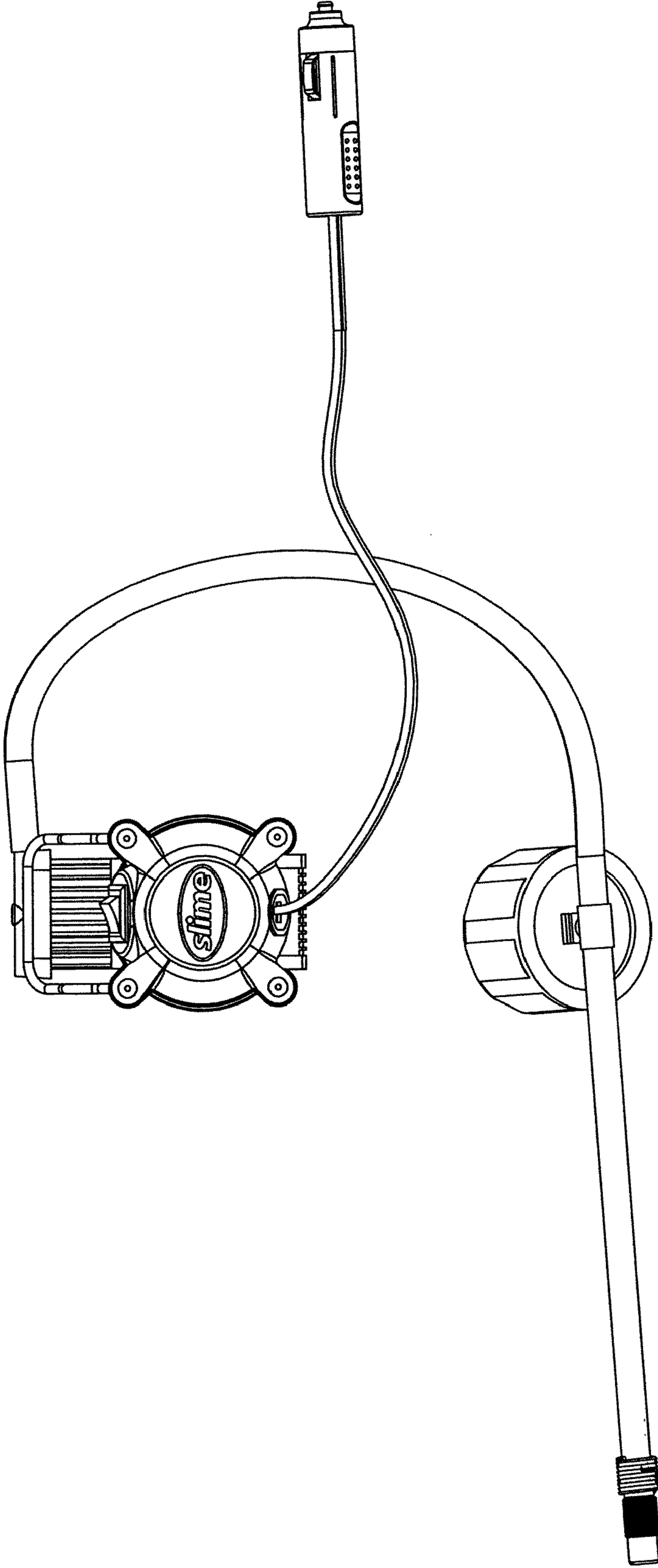


FIG. 2

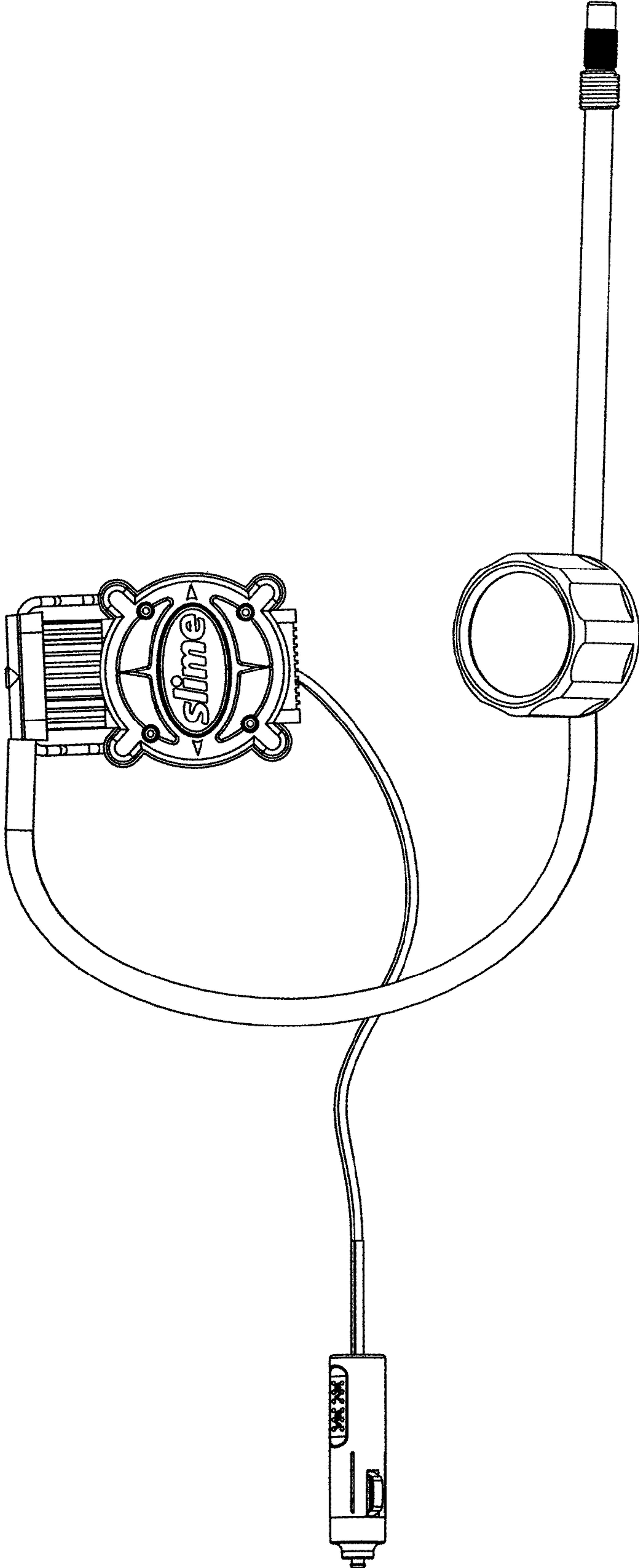


FIG. 3



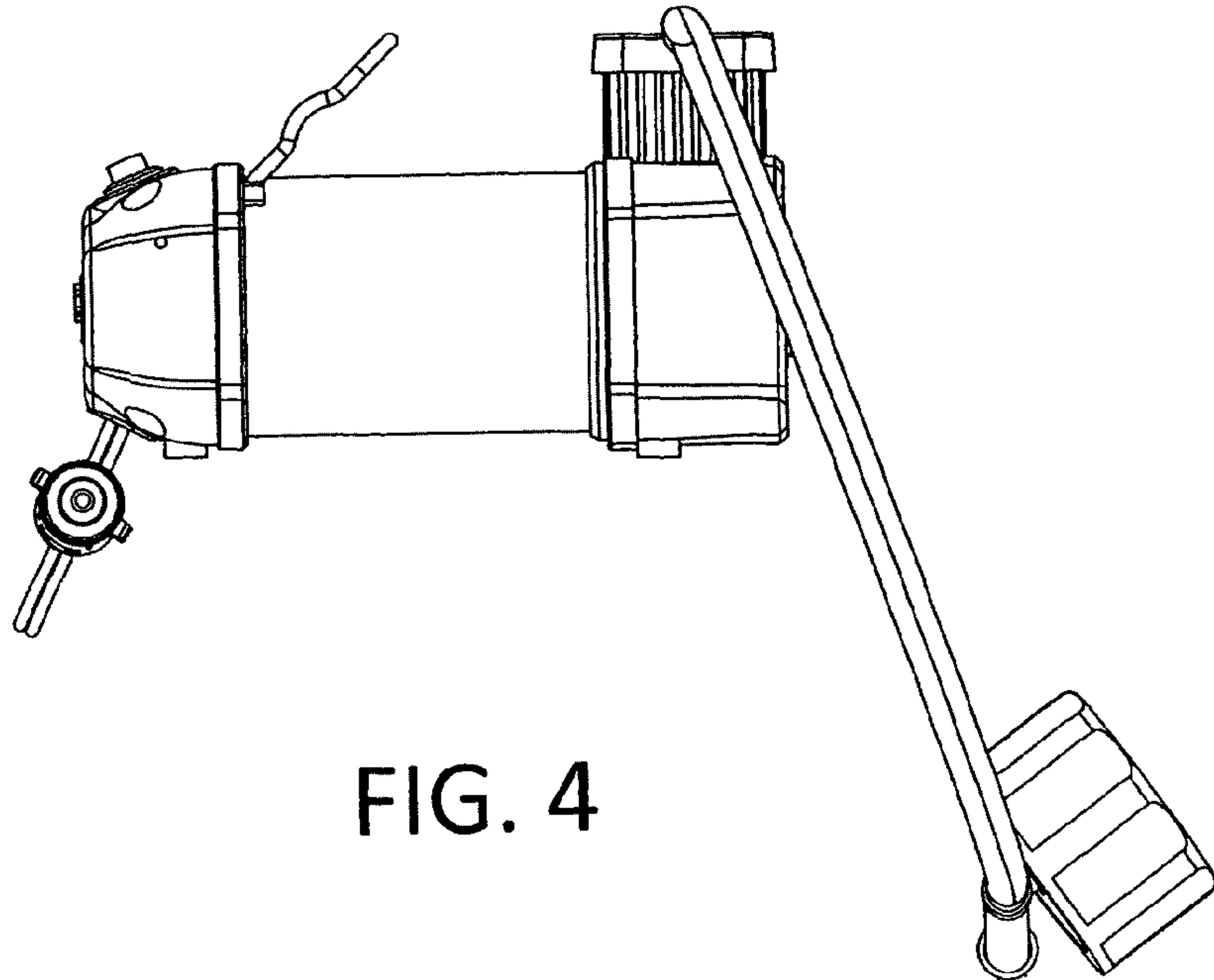


FIG. 4

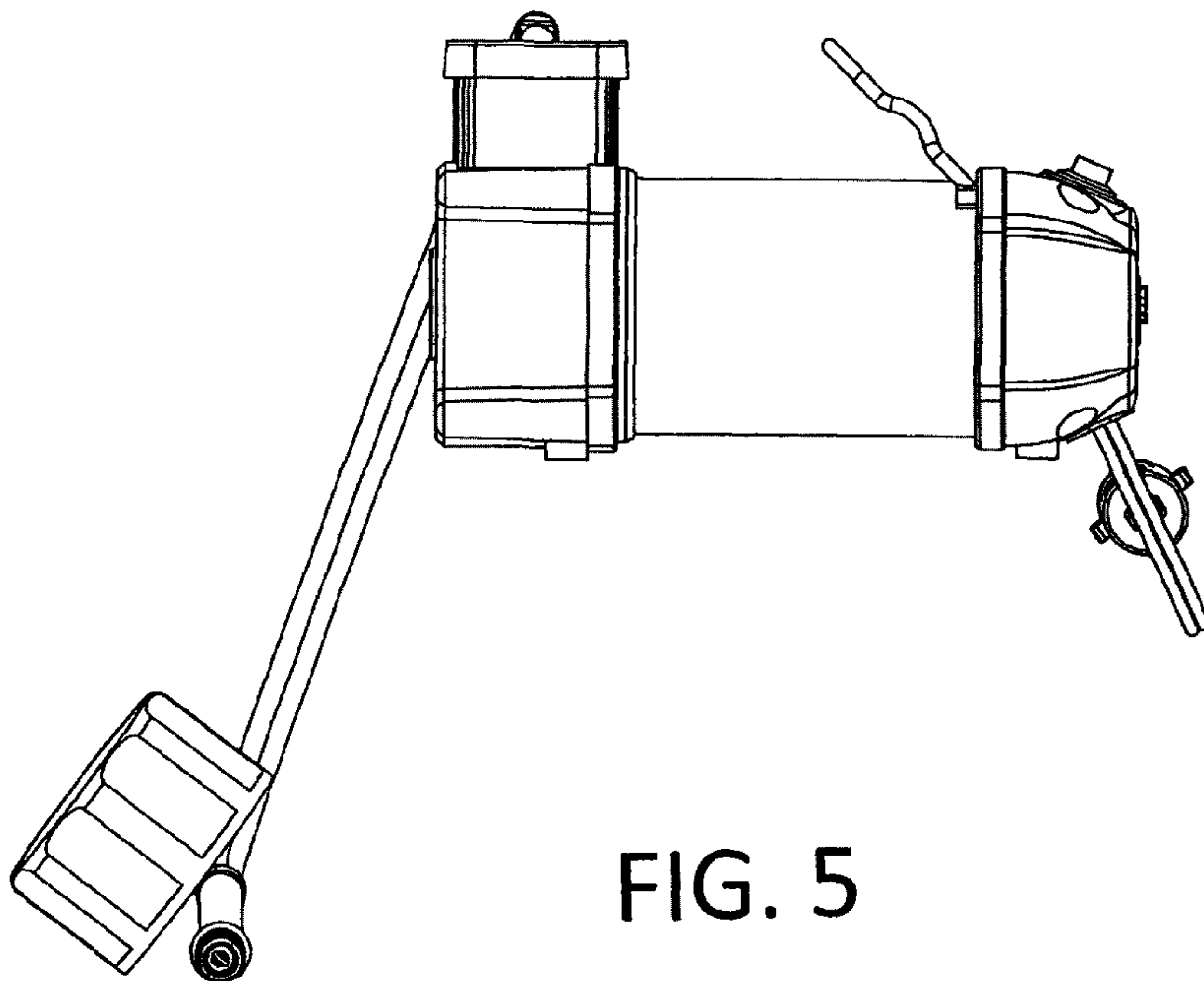


FIG. 5

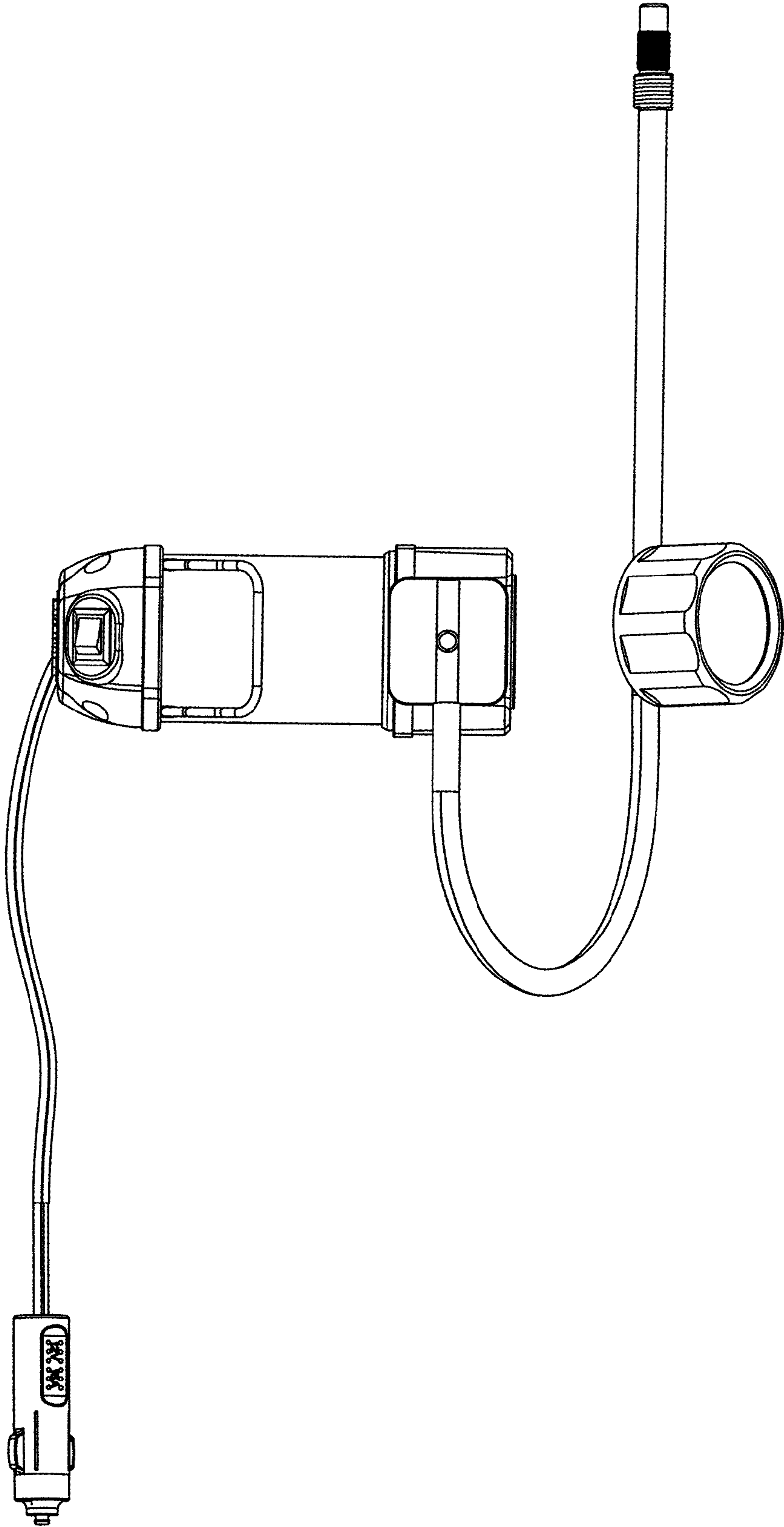


FIG. 6

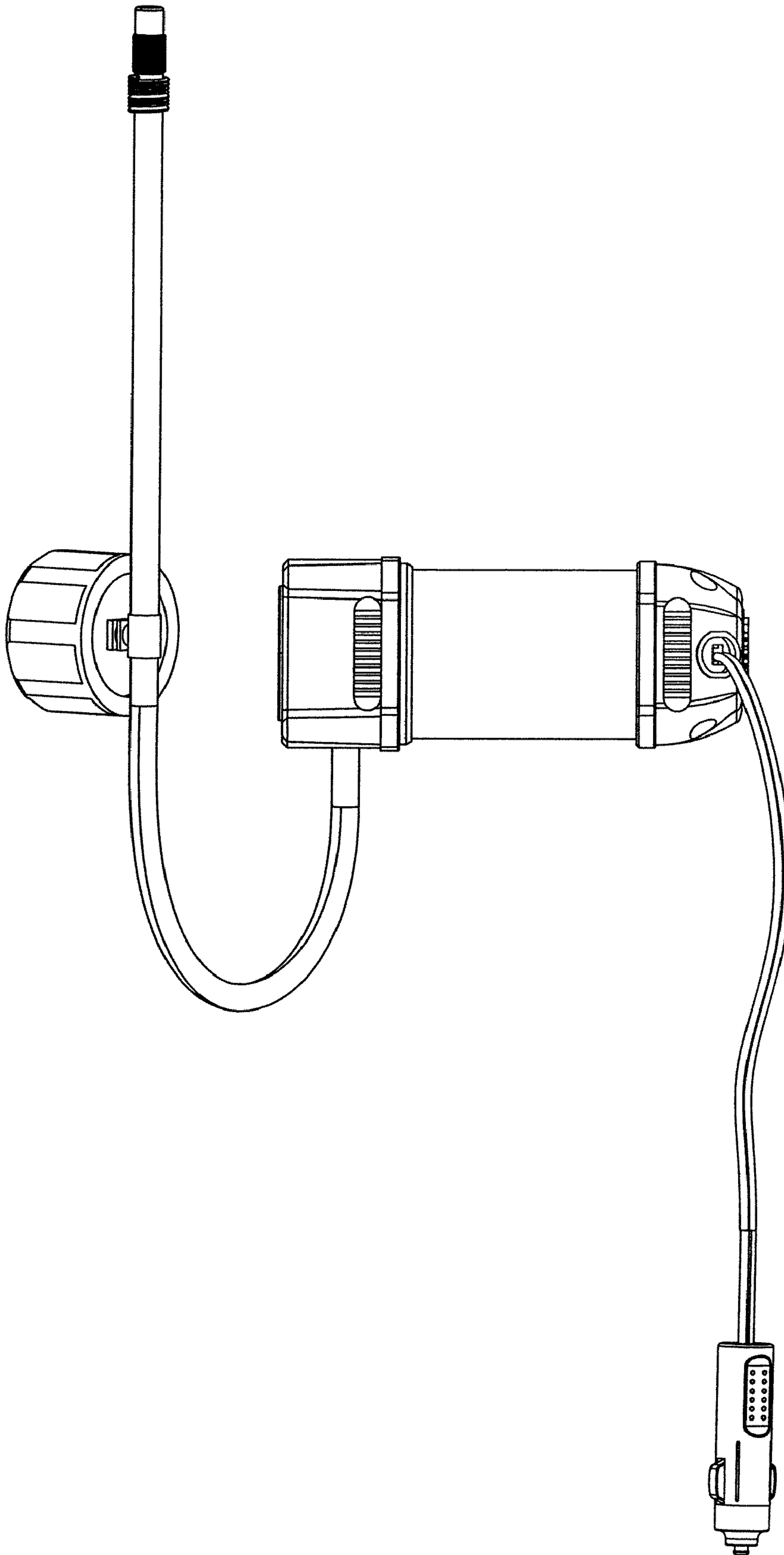


FIG. 7

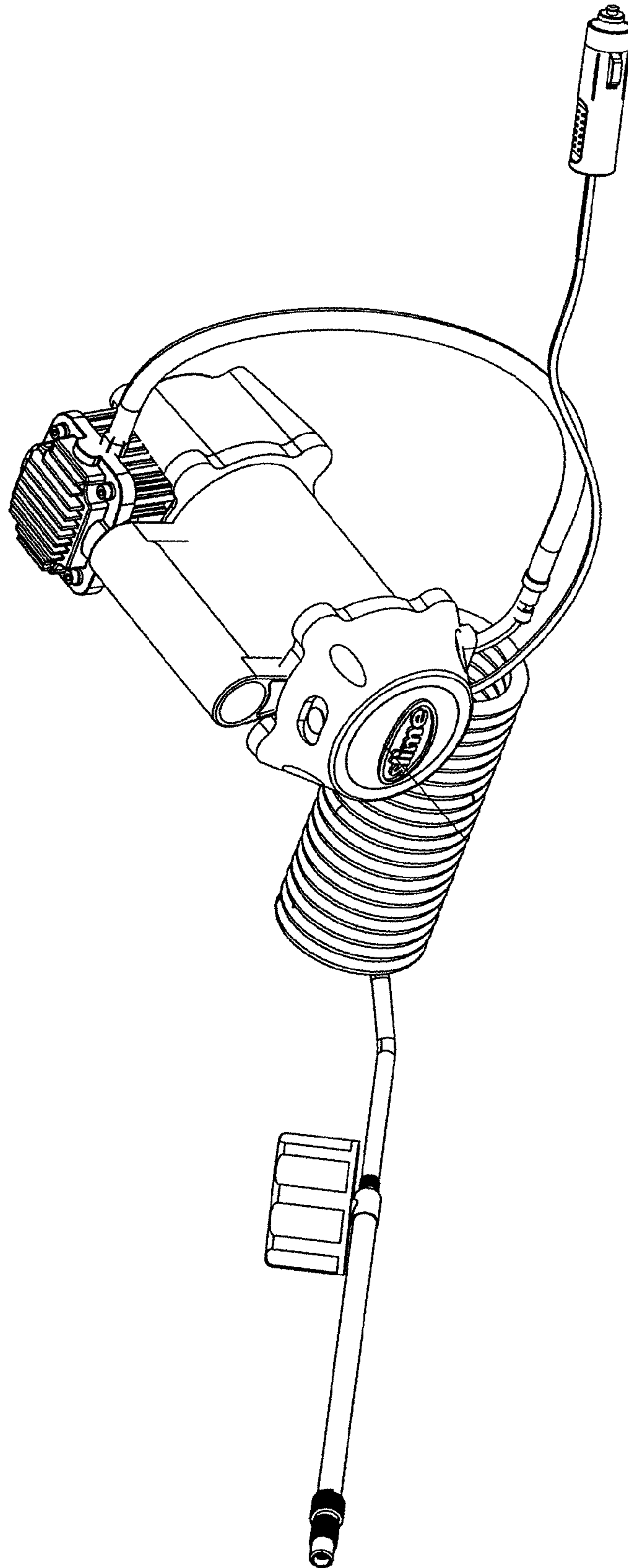


FIG. 8



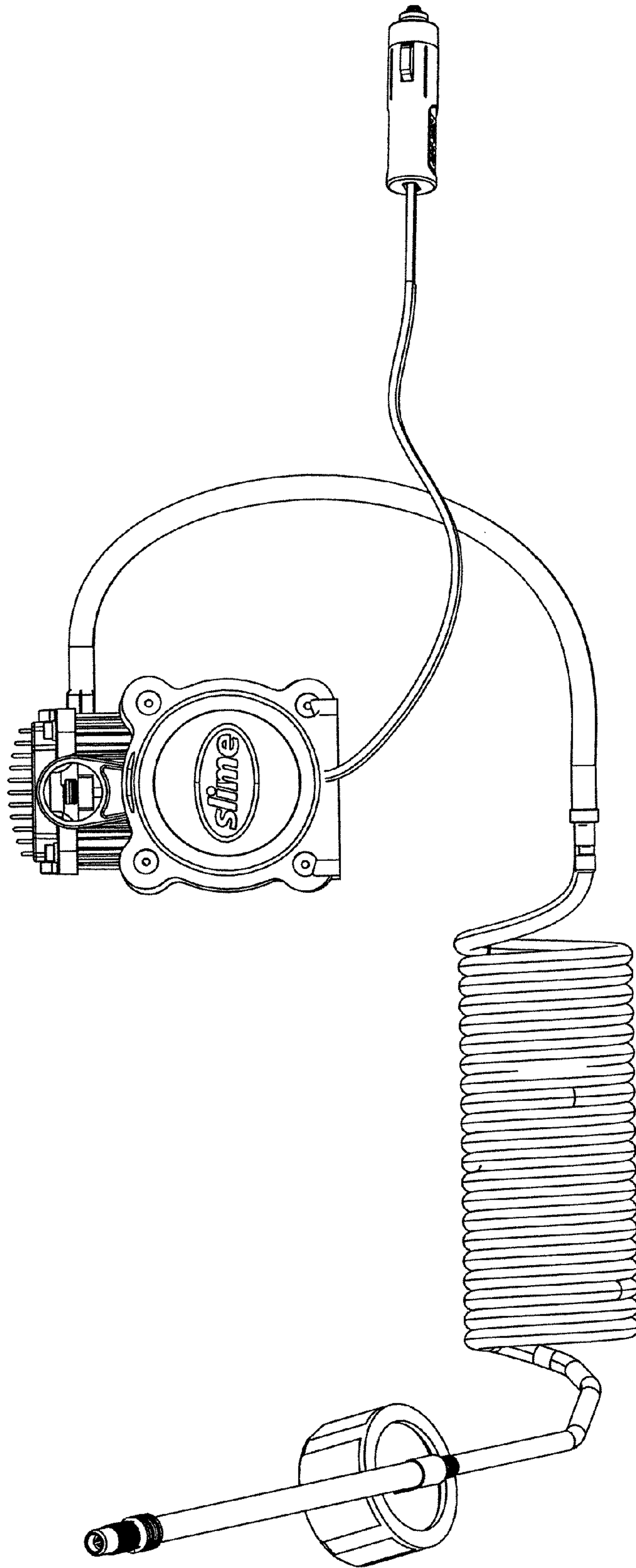


FIG. 9

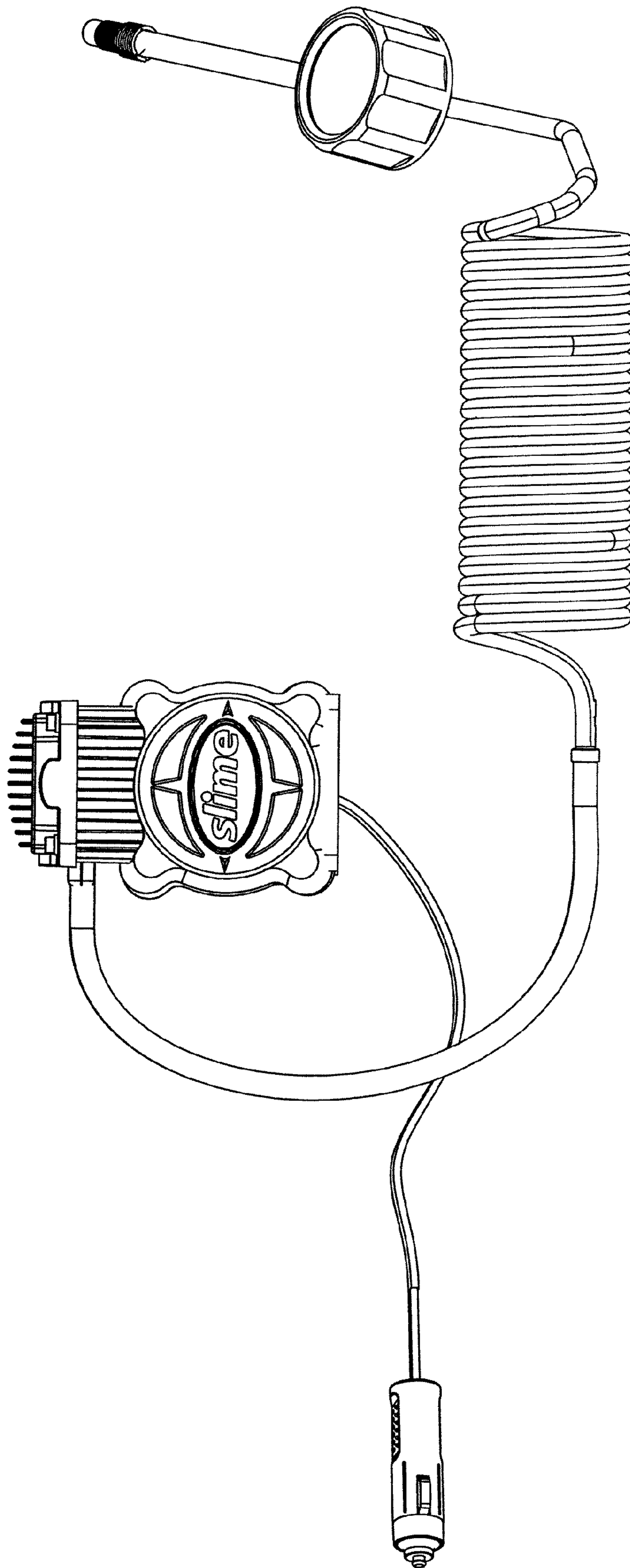


FIG. 10

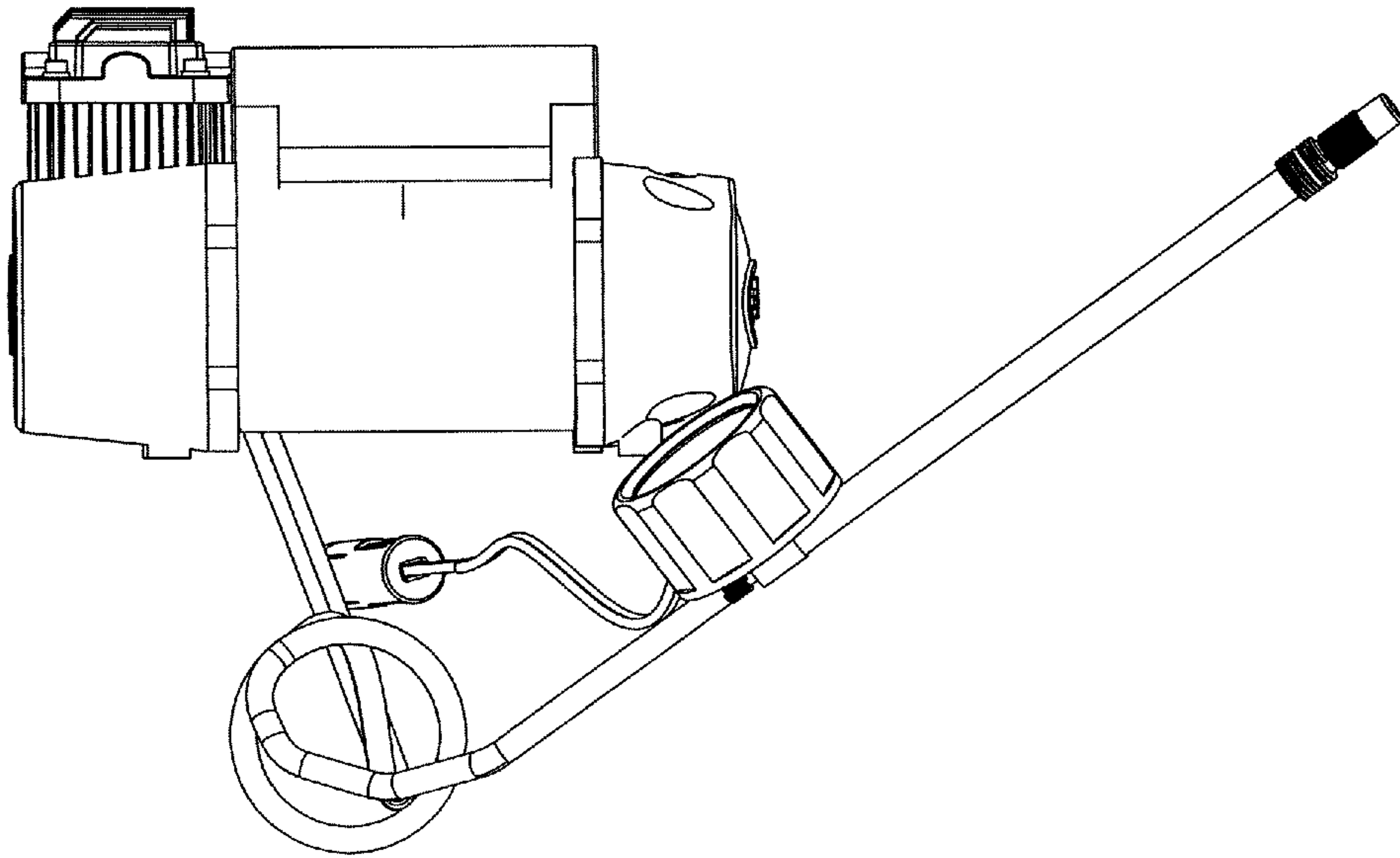


FIG. 11

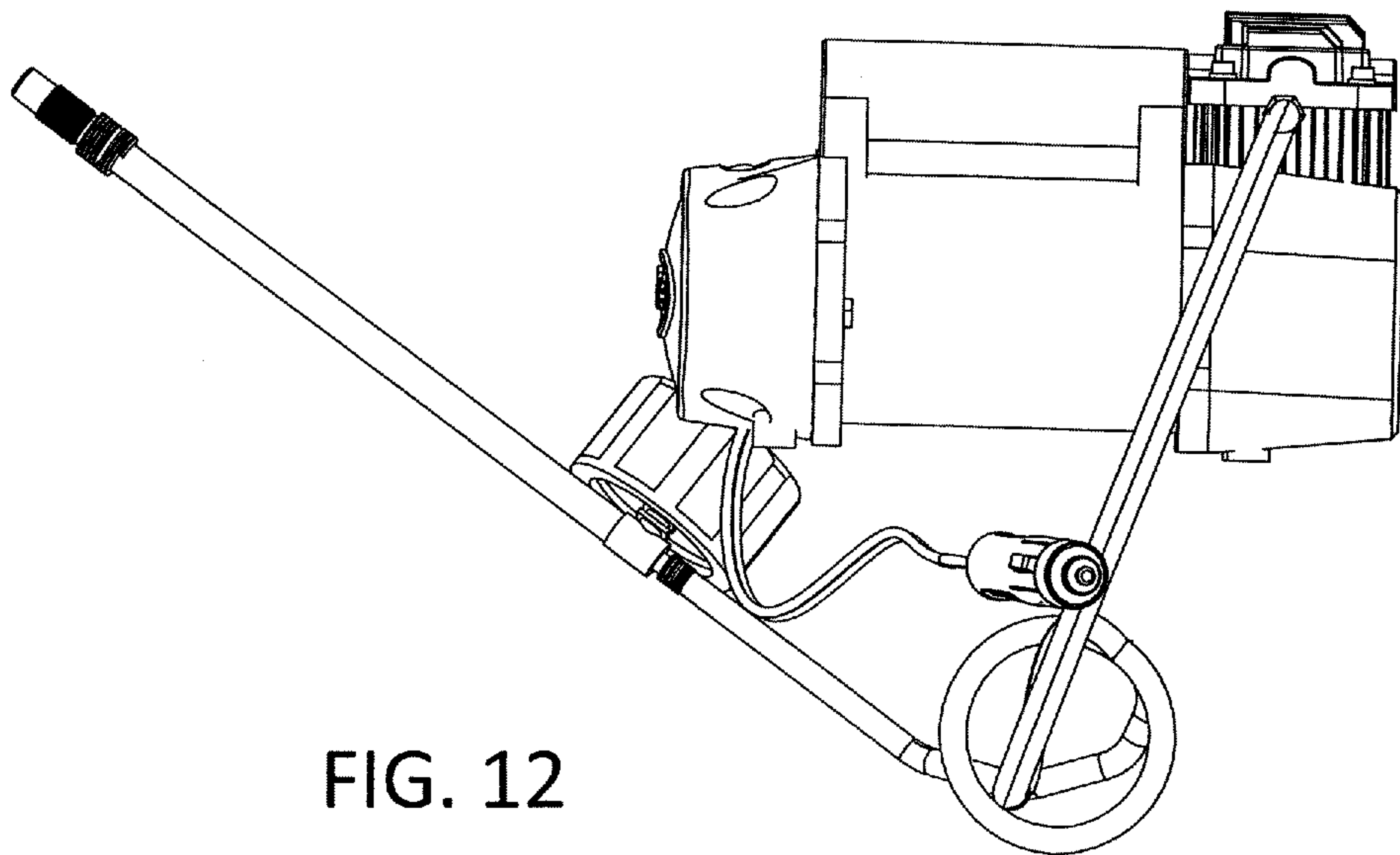


FIG. 12

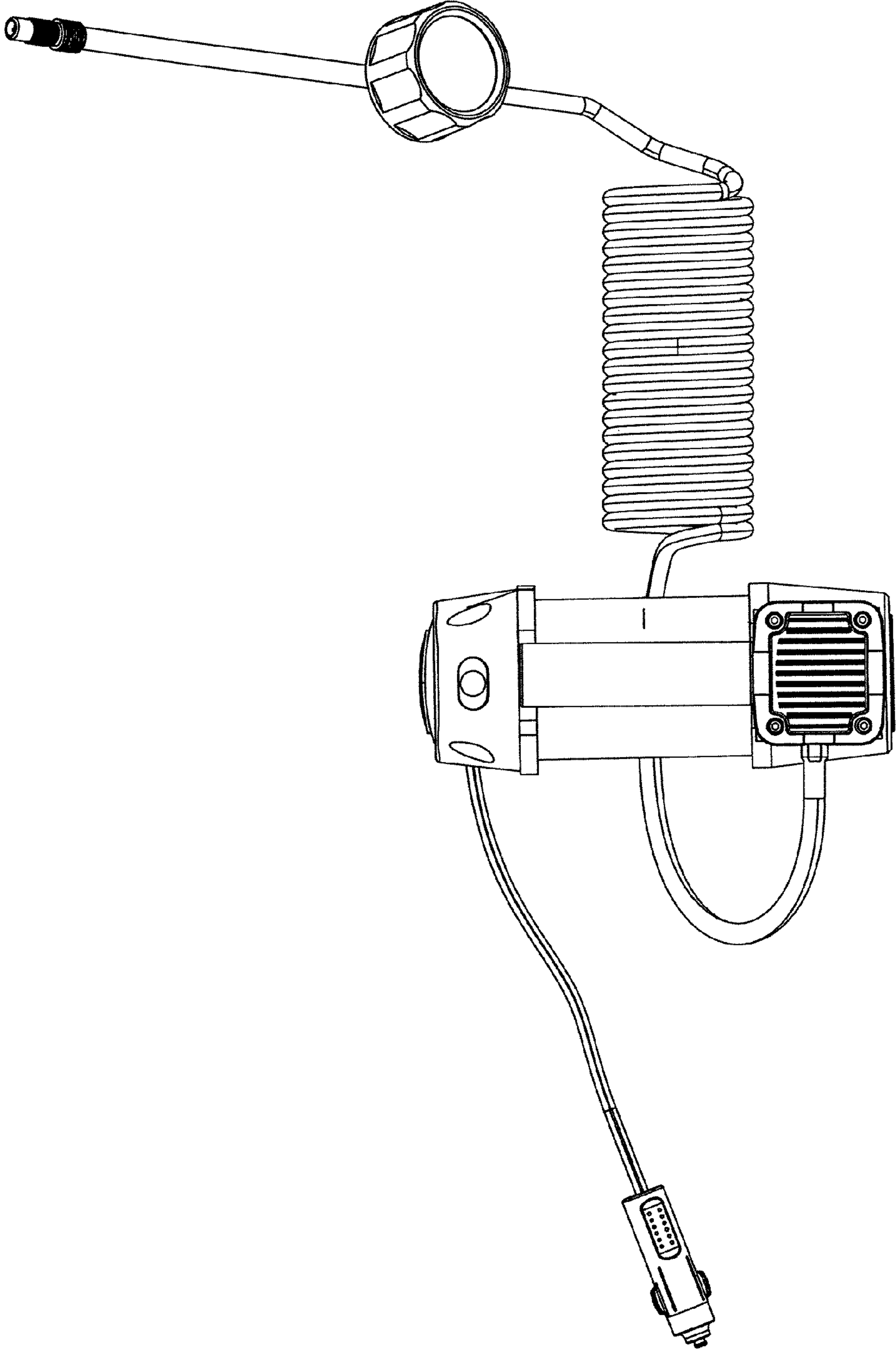


FIG. 13

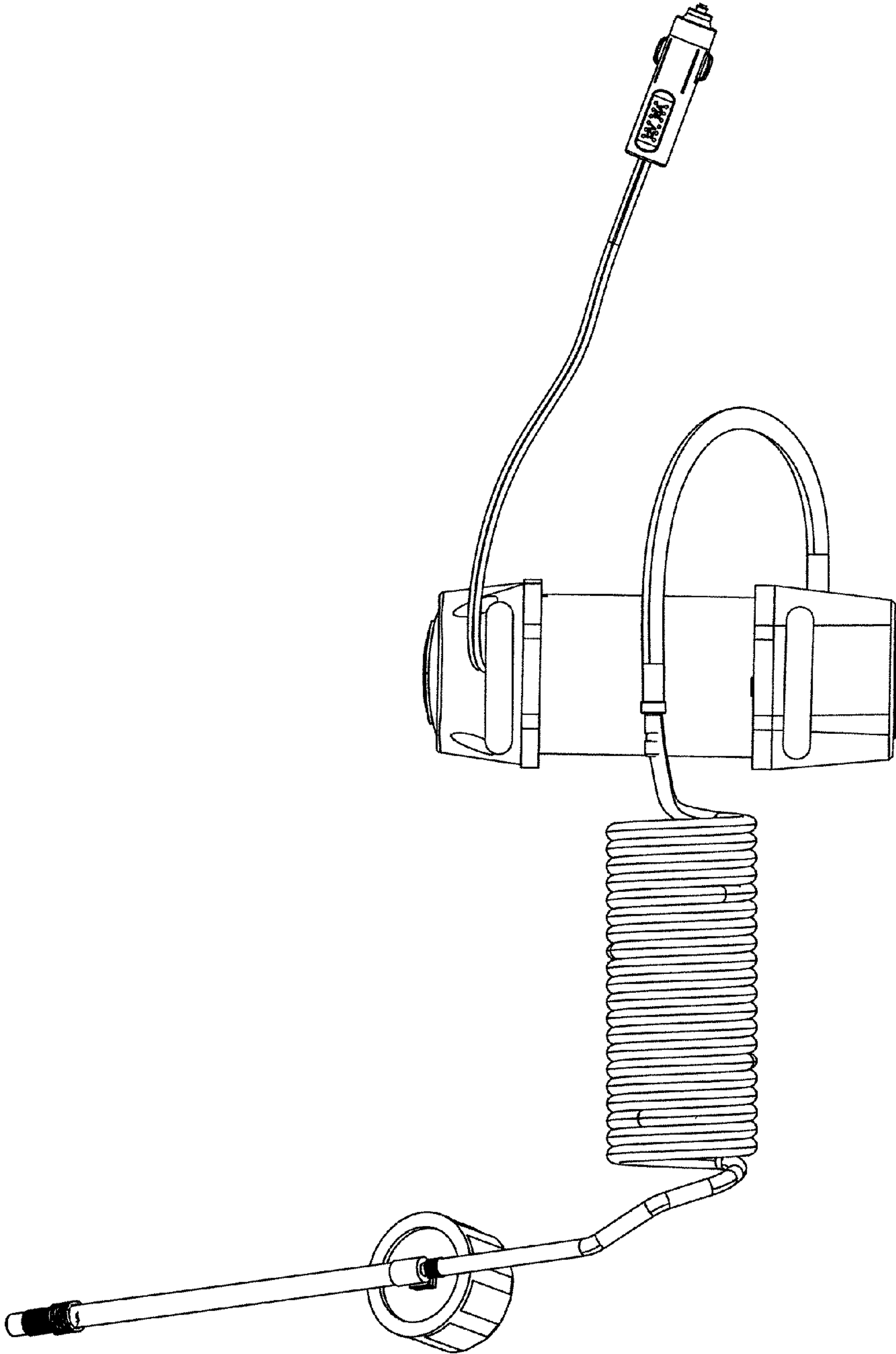


FIG. 14