



US00D668684S

(12) **United States Design Patent**  
**Noguchi**

(10) **Patent No.:** **US D668,684 S**

(45) **Date of Patent:** **\*\* Oct. 9, 2012**

(54) **SCREW COMPRESSOR**

(75) Inventor: **Toru Noguchi**, Kako-gun (JP)

(73) Assignee: **Kobe Steel, Ltd.**, Kobe-shi (JP)

(\*\*) Term: **14 Years**

(21) Appl. No.: **29/400,191**

(22) Filed: **Aug. 24, 2011**

(51) **LOC (9) Cl.** ..... **15-02**

(52) **U.S. Cl.** ..... **D15/9**

(58) **Field of Classification Search** ..... D15/7-9;  
D23/231, 232, 225; 417/60, 235, 265, 321,  
417/355, 358, 363, 359, 410.1, 415-416,  
417/405, 900; 60/408, 412; 184/26-37;  
415/140-147; 123/495, 509

See application file for complete search history.

(56) **References Cited**

**U.S. PATENT DOCUMENTS**

D328,304 S *	7/1992	Frohn et al.	.....	D15/7
D450,327 S *	11/2001	Mori et al.	.....	D15/7
D485,565 S *	1/2004	Martinello	.....	D15/7
D573,609 S *	7/2008	Bilger	.....	D15/7
D630,229 S *	1/2011	Dreifert	.....	D15/7

D652,844 S \* 1/2012 Hanitsch et al. .... D15/7

\* cited by examiner

*Primary Examiner* — Ralf Seifert

(74) *Attorney, Agent, or Firm* — Oblon, Spivak,  
McClelland, Maier & Neustadt, L.L.P.

(57) **CLAIM**

The ornamental design for a screw compressor, as shown and described.

**DESCRIPTION**

FIG. 1 is a first perspective view of a screw compressor;  
FIG. 2 is a second perspective view thereof;  
FIG. 3 is a third perspective view thereof;  
FIG. 4 is a fourth perspective view thereof;  
FIG. 5 is a front view thereof;  
FIG. 6 is a rear view thereof;  
FIG. 7 is a left side view thereof;  
FIG. 8 is a right side view thereof;  
FIG. 9 is a top view thereof; and,  
FIG. 10 is a bottom view thereof.

The portion shown by broken lines is for illustrative purposes only and forms no part of the claimed design.

**1 Claim, 9 Drawing Sheets**

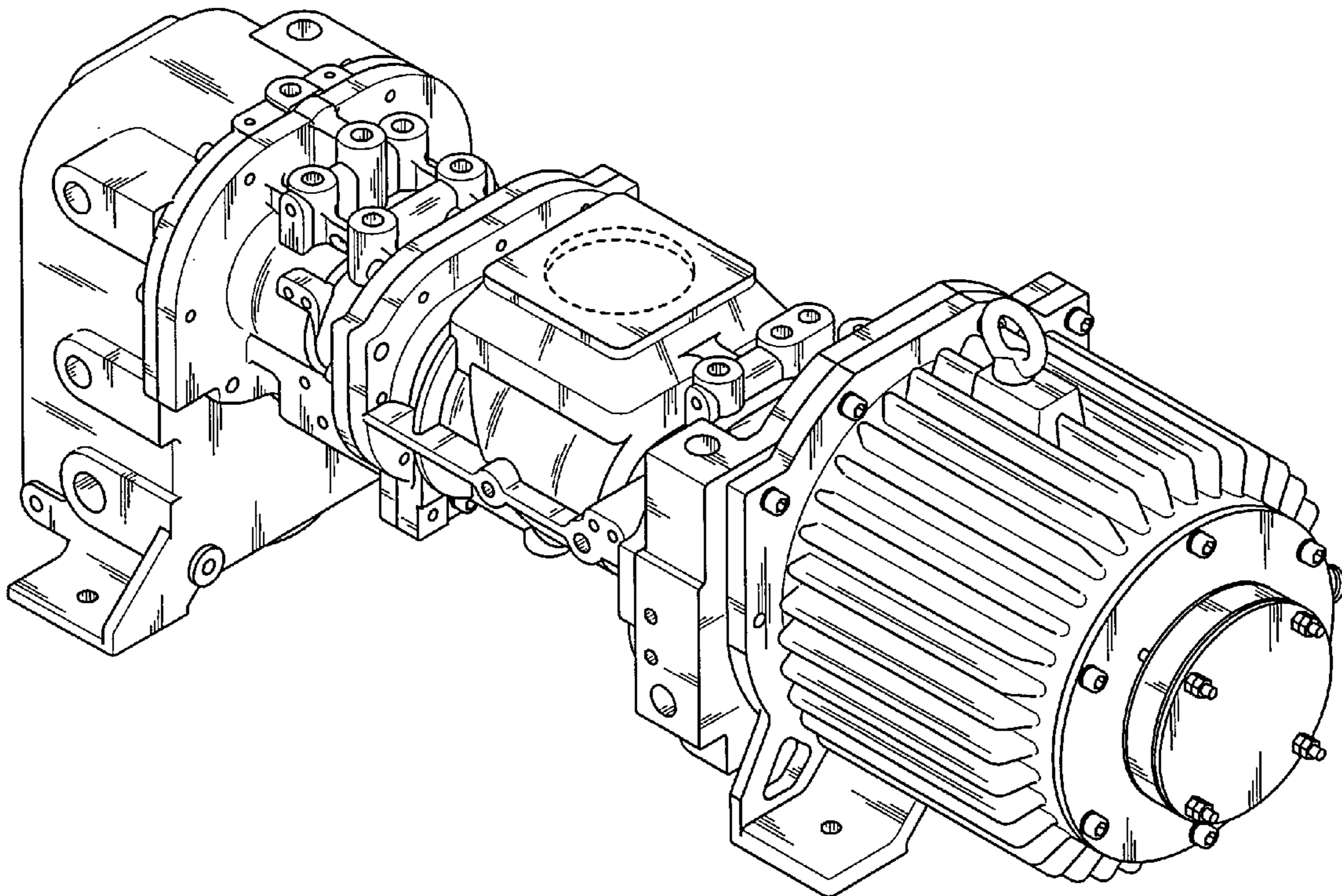


FIG.1

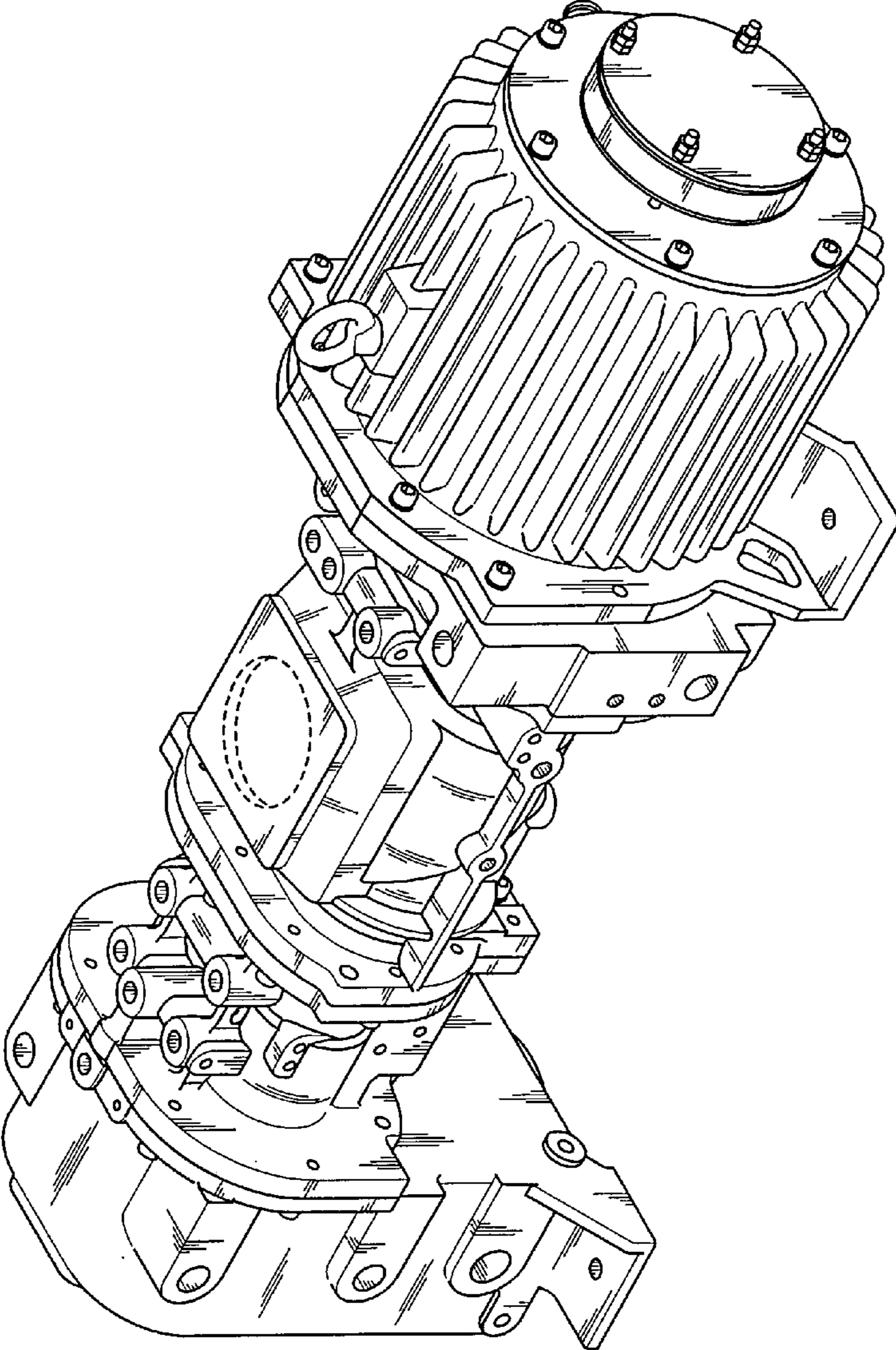


FIG.2

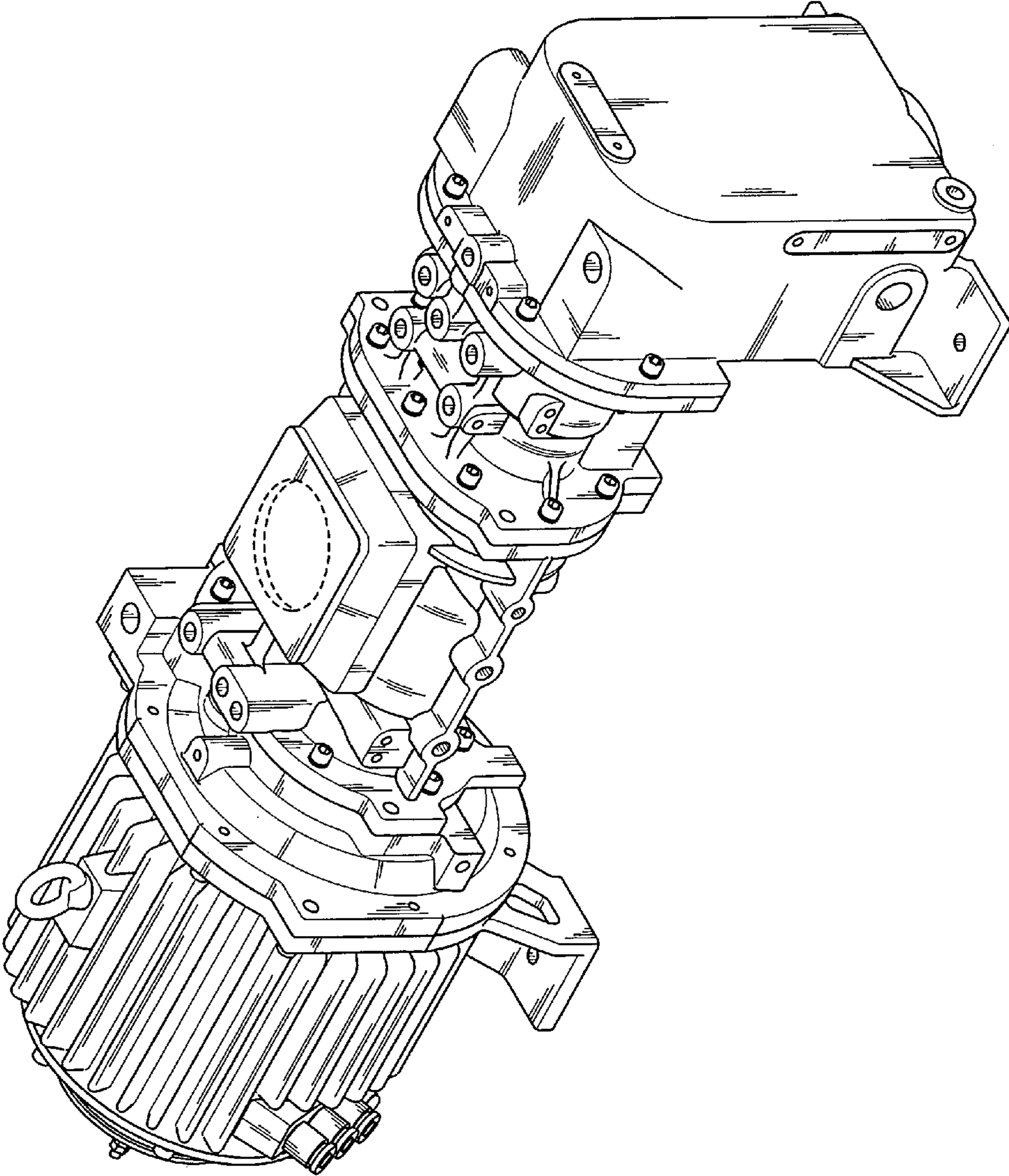


FIG.3

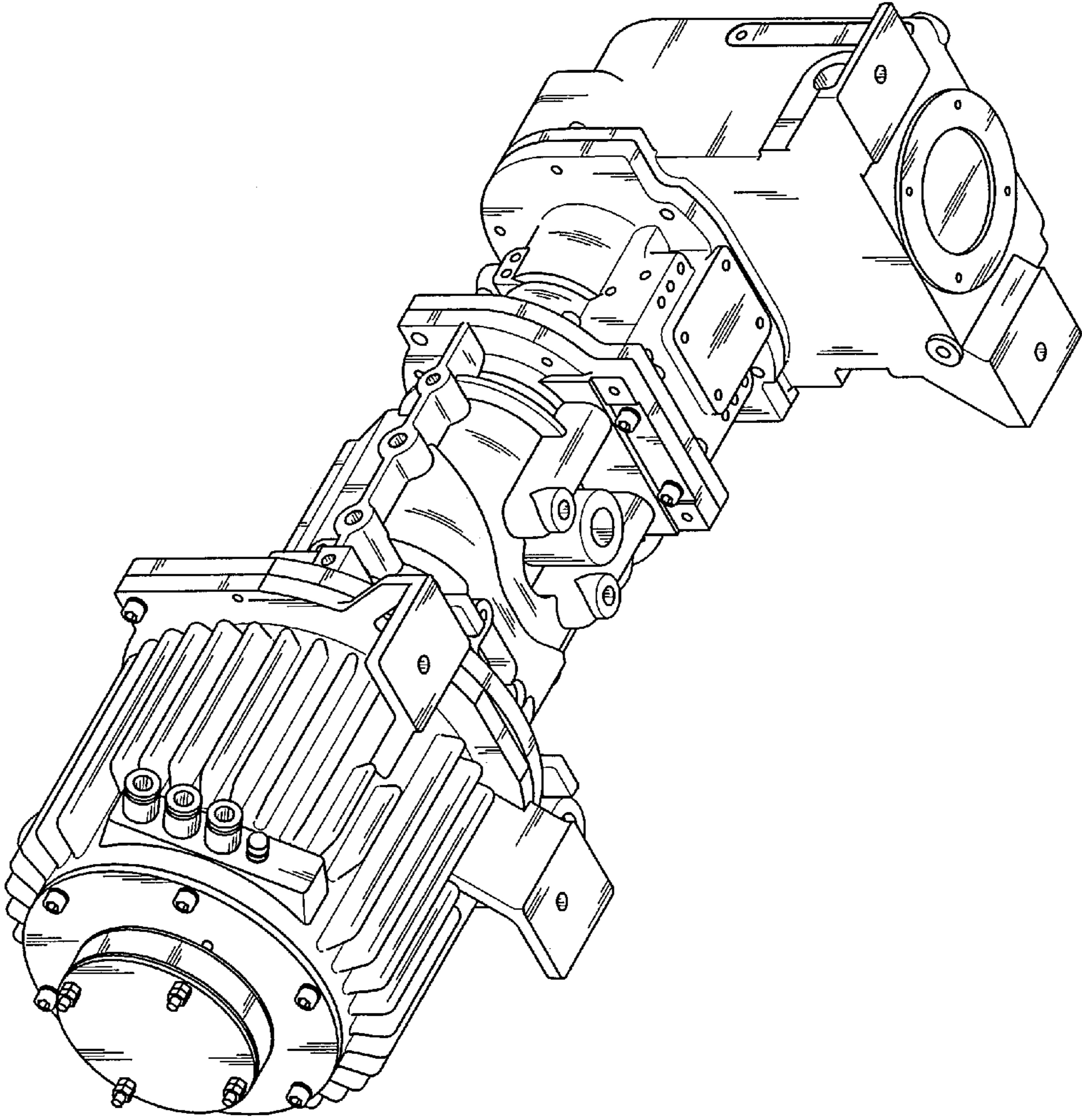
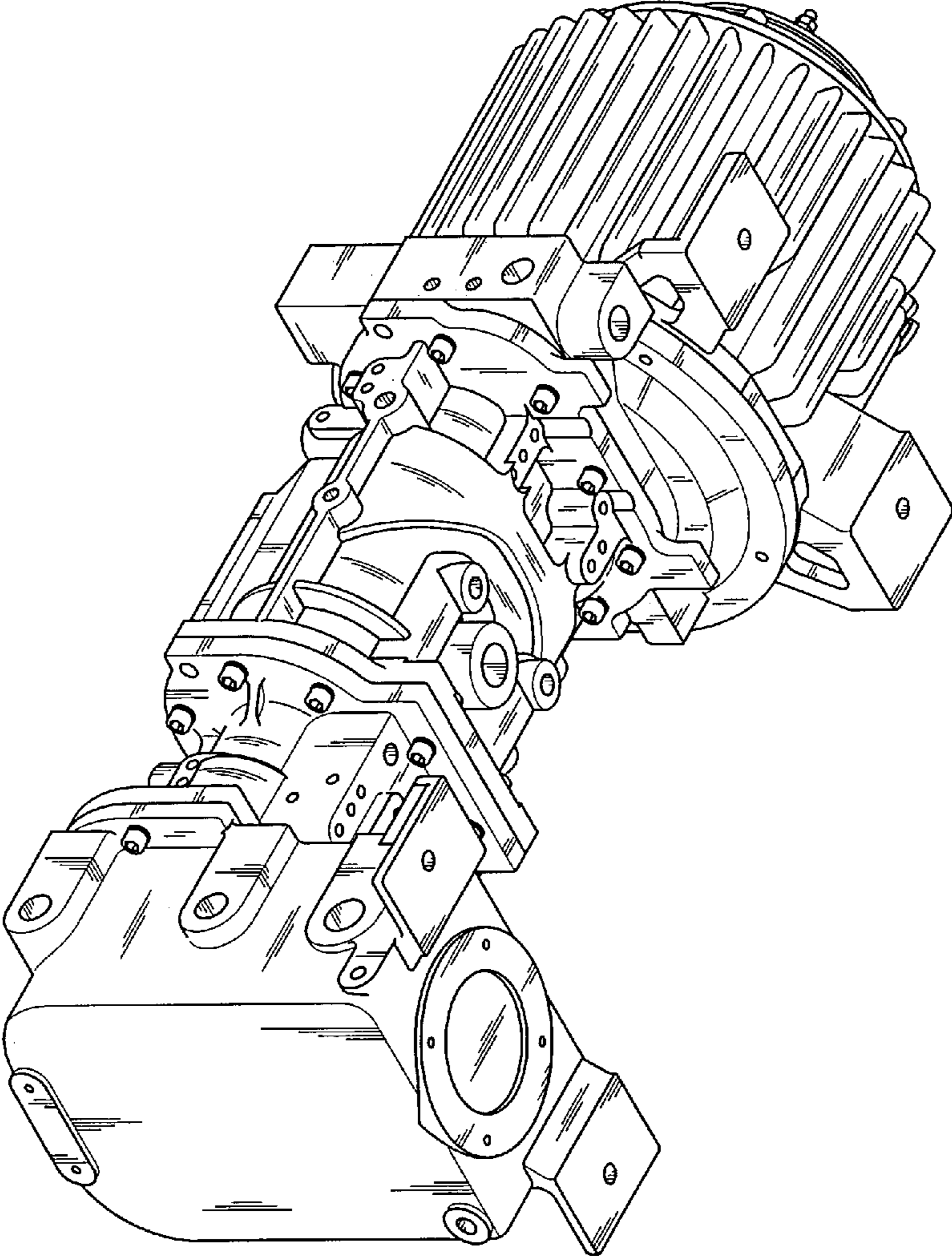


FIG.4



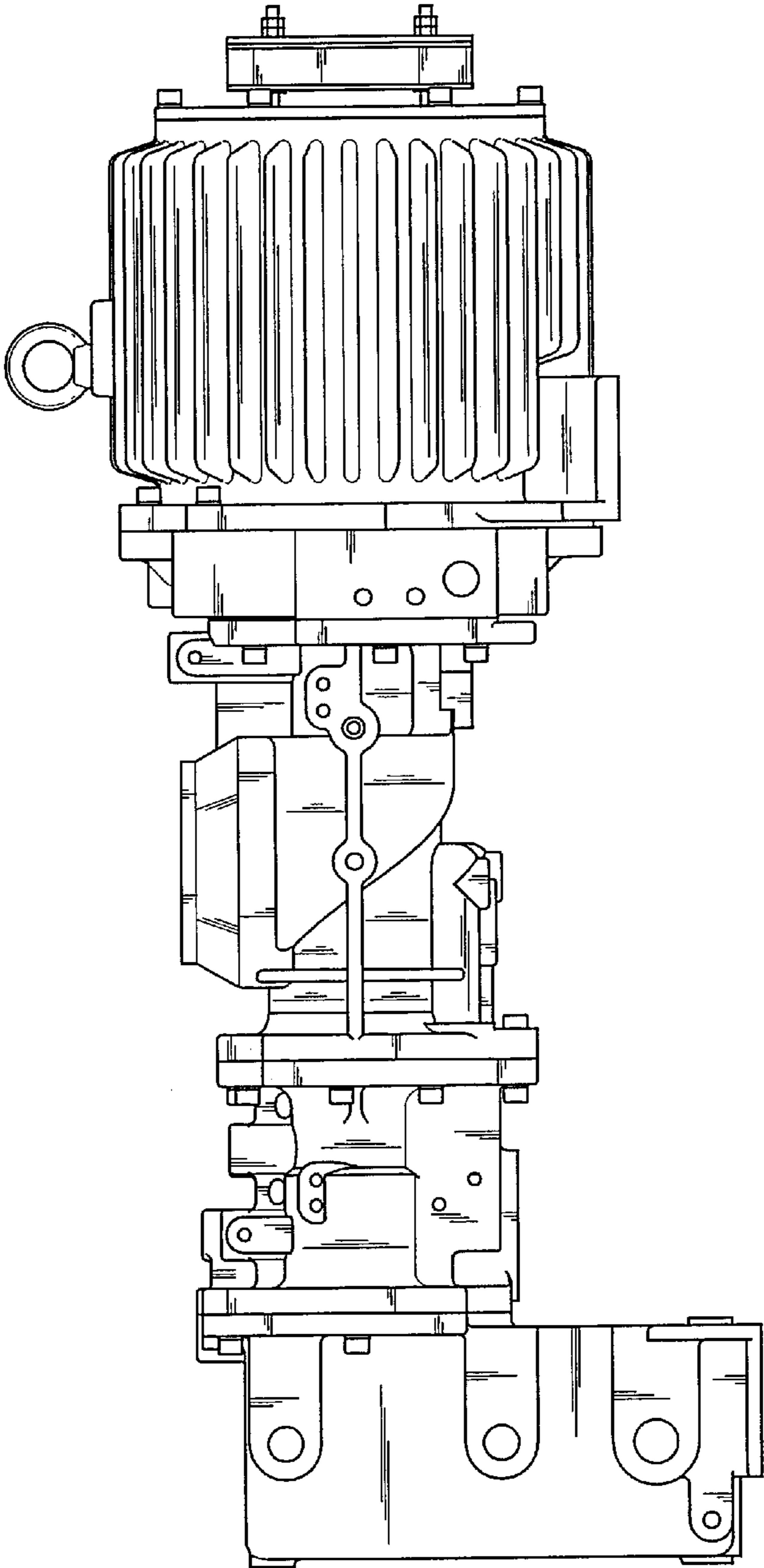


FIG.5

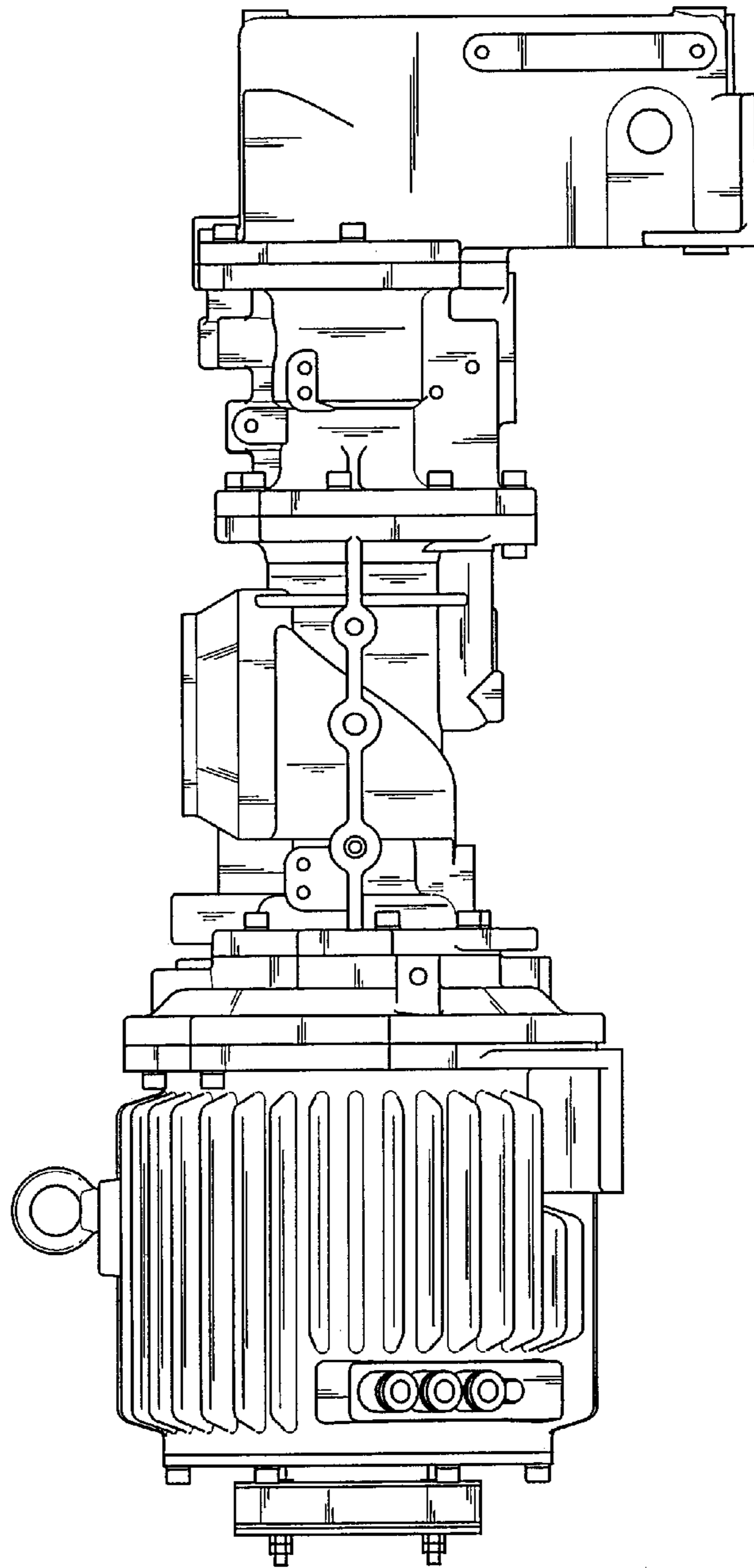


FIG.6

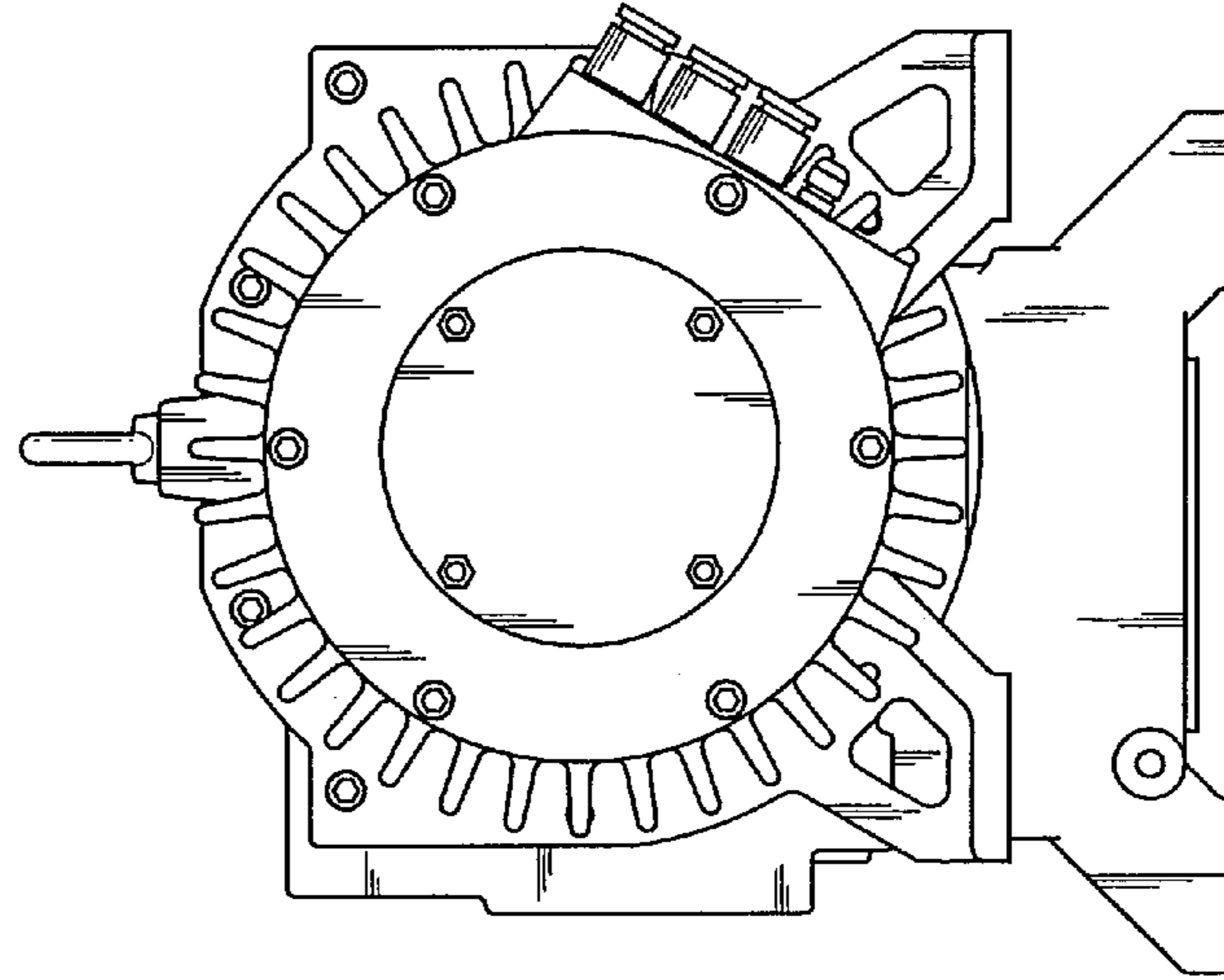


FIG. 8

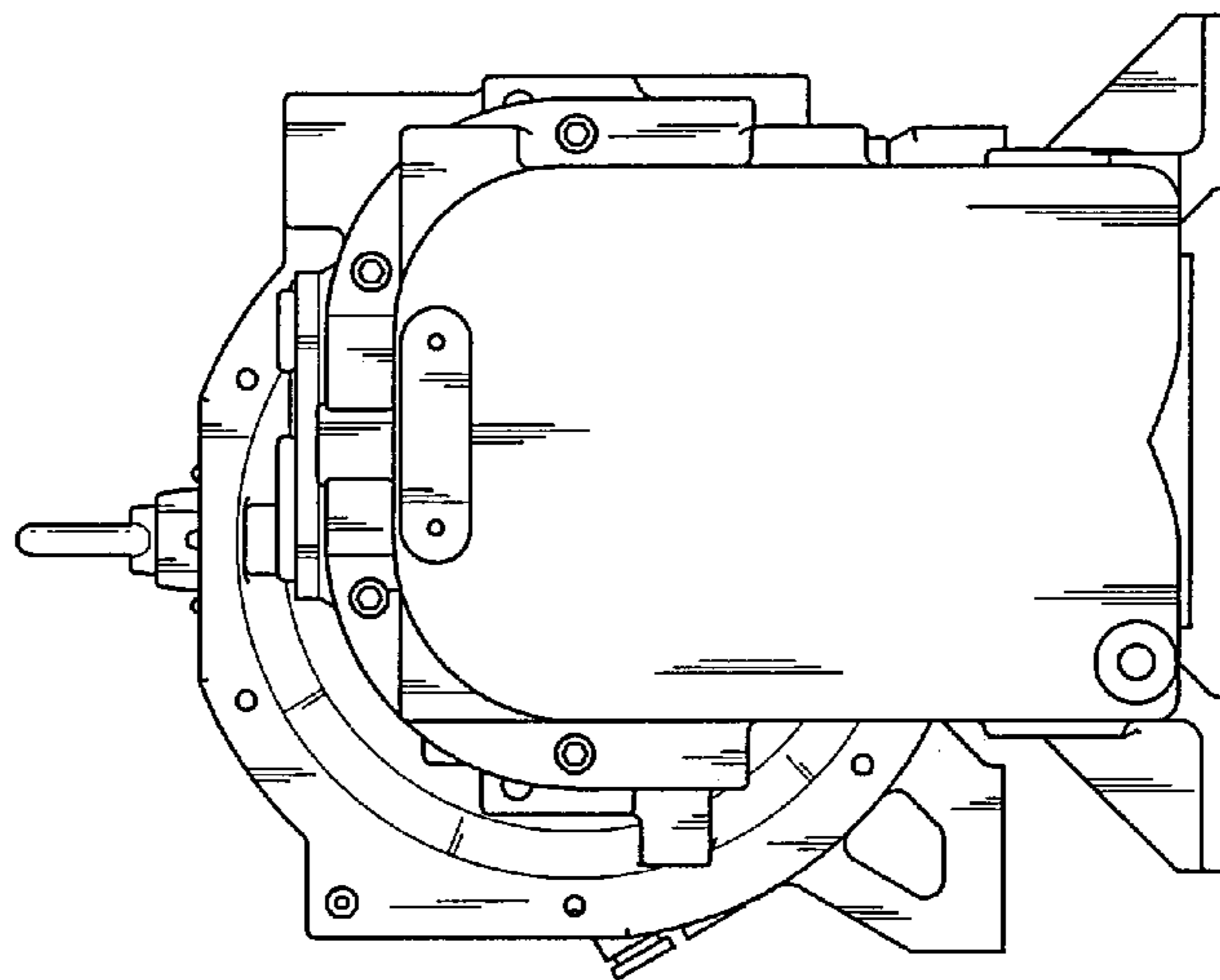
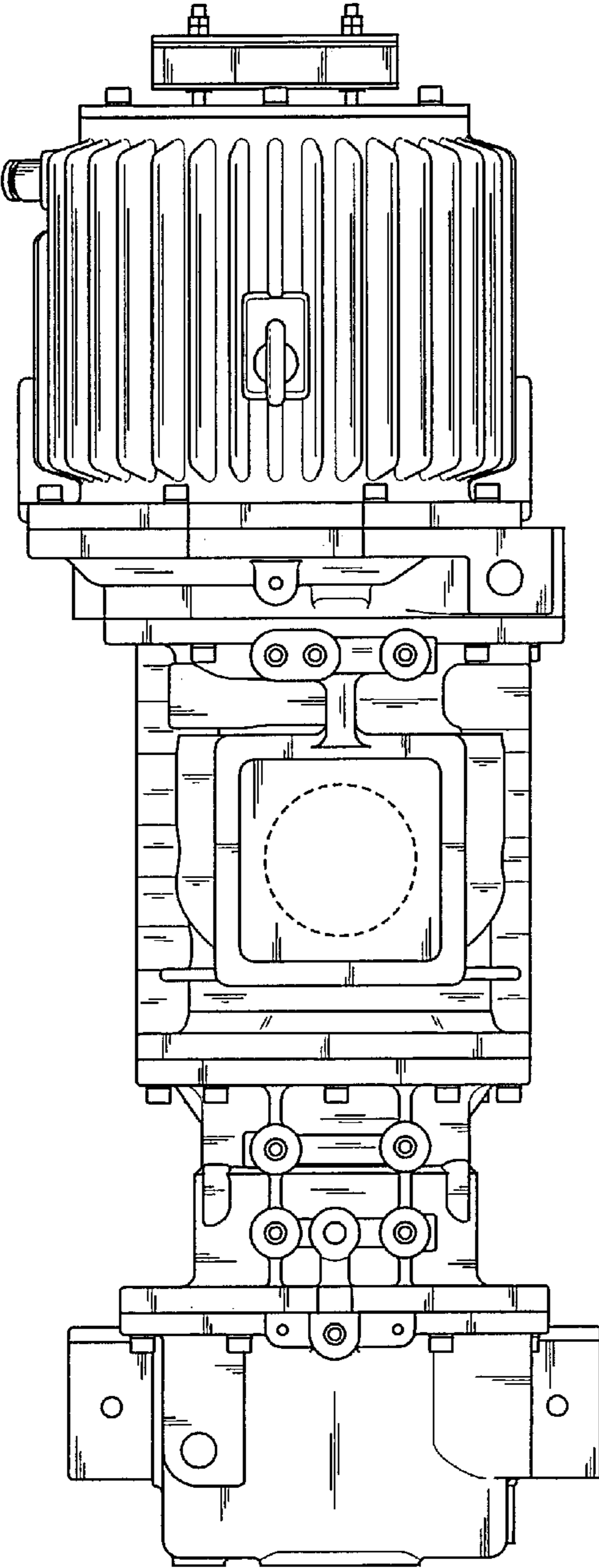


FIG. 7



FIG.9



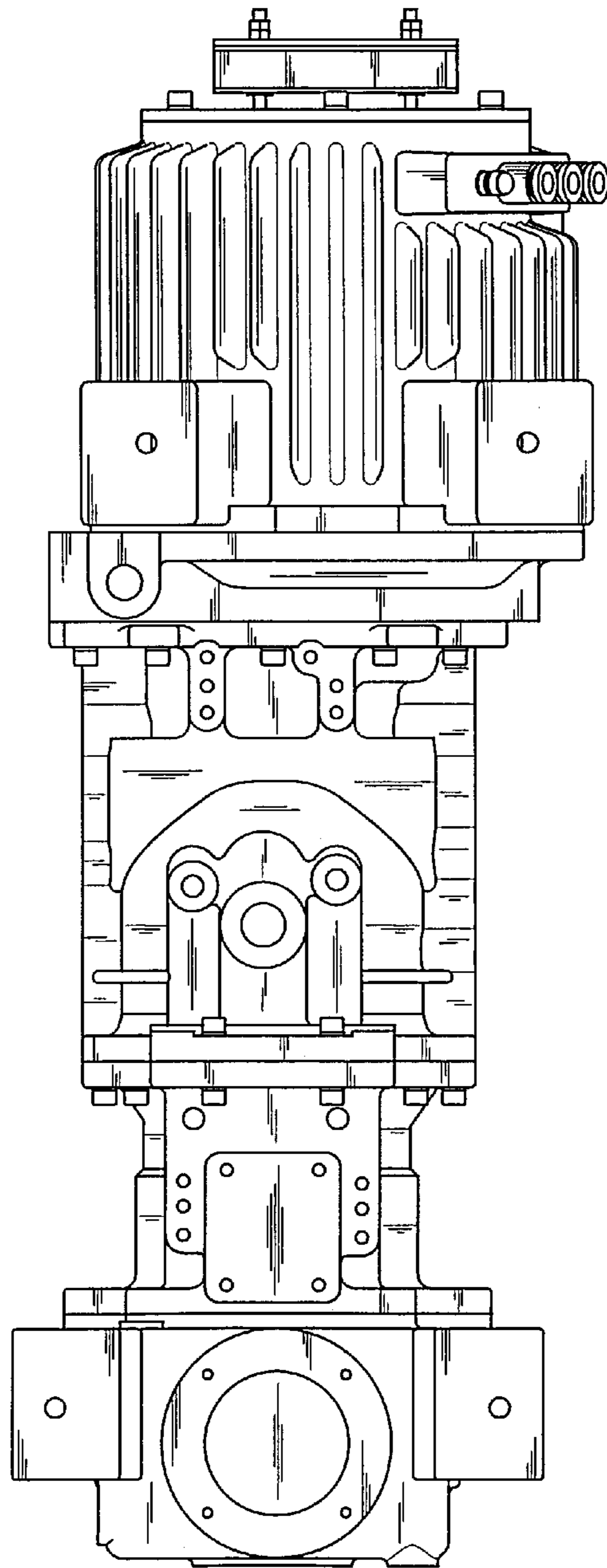


FIG.10