



US00D668683S

(12) **United States Design Patent**
Balma

(10) **Patent No.:** **US D668,683 S**

(45) **Date of Patent:** **** Oct. 9, 2012**

(54) **AIR COMPRESSOR**

(75) Inventor: **Roberto Balma**, Robassomero (IT)

(73) Assignee: **Nu Air Compressors and Tools S.p.A.**,
Robassomero (IT)

(**) Term: **14 Years**

(21) Appl. No.: **29/386,558**

(22) Filed: **Mar. 2, 2011**

(30) **Foreign Application Priority Data**

Sep. 2, 2010 (EM) 1232516

(51) **LOC (9) Cl.** **15-02**

(52) **U.S. Cl.** **D15/9**

(58) **Field of Classification Search** D15/7-9;
D23/231, 232; 417/410.1, 359, 415-416,
417/234, 321, 265, 405

See application file for complete search history.

(56) **References Cited**

U.S. PATENT DOCUMENTS

D406,150 S *	2/1999	Wang	D15/9
D425,913 S *	5/2000	Bonzer	D15/7
D508,058 S *	8/2005	Wu	D15/7
D529,926 S *	10/2006	Krieger et al.	D15/9
D533,880 S *	12/2006	Chen	D15/7
D576,642 S *	9/2008	Steinfels et al.	D15/9

D588,165 S *	3/2009	Steinfels et al.	D15/9
D624,493 S *	9/2010	Daniels et al.	D13/107
D624,877 S *	10/2010	Daniels et al.	D13/107

* cited by examiner

Primary Examiner — Ralf Seifert

(74) *Attorney, Agent, or Firm* — Venable LLP; Robert Kinberg

(57) **CLAIM**

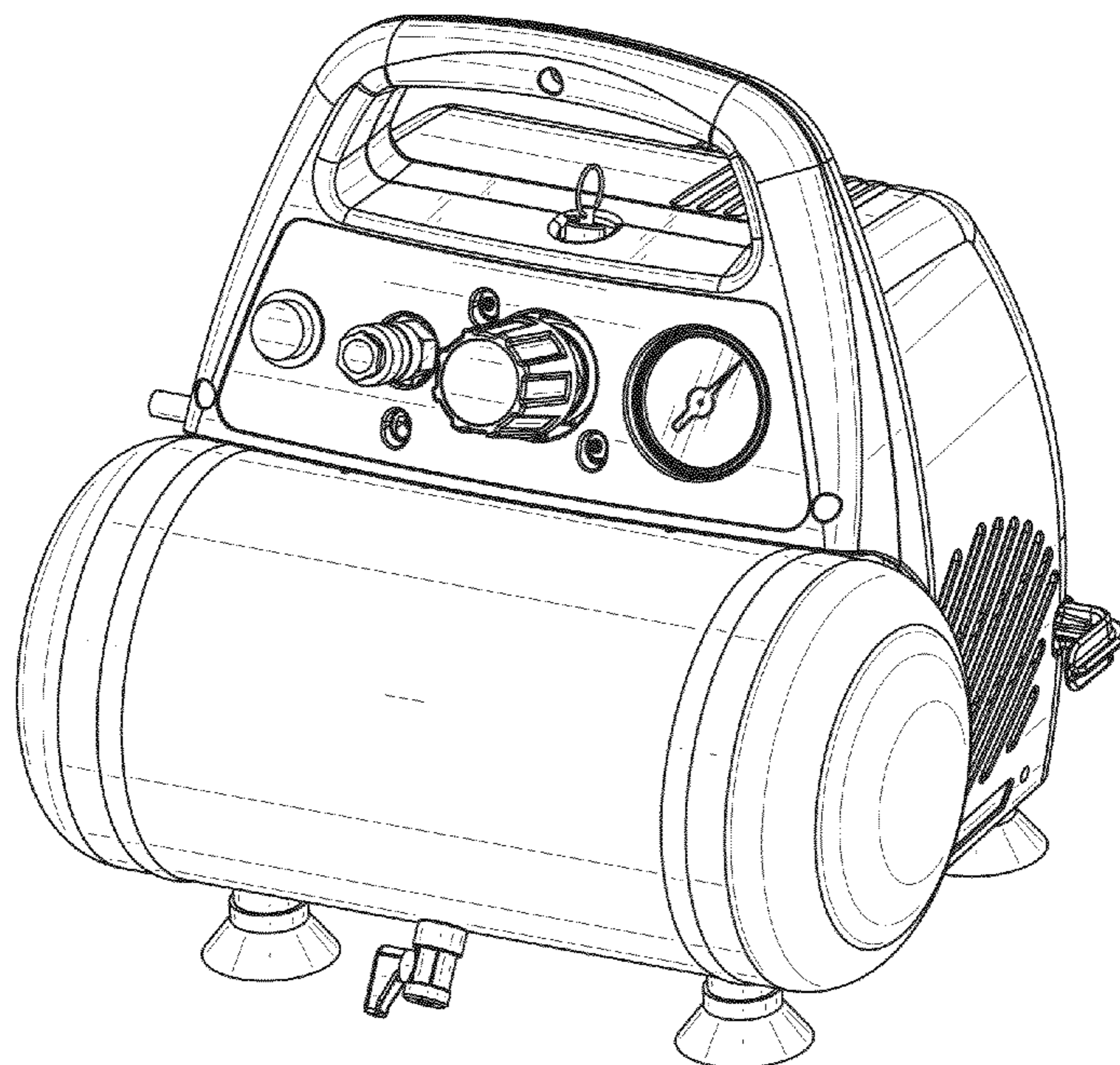
The ornamental design for an air compressor, as shown and described.

DESCRIPTION

FIG. 1 is a top-front-right perspective view of the air compressor according to an embodiment of the present invention; FIG. 2 is a front view of the air compressor according to the embodiment of the present invention; FIG. 3 is a rear view of the air compressor according to the embodiment of the present invention; FIG. 4 is a left-side view of the air compressor according to the embodiment of the present invention; FIG. 5 is a right-side view of the air compressor according to the embodiment of the present invention; FIG. 6 is a top view of the air compressor according to the embodiment of the present invention; and, FIG. 7 is a bottom view of the air compressor according to the embodiment of the present invention.

The broken lines in FIGS. 3, 4, 5, 6, and 7 are included for the purpose of illustrating portions of the claimed design that form no part of the claimed design.

1 Claim, 7 Drawing Sheets



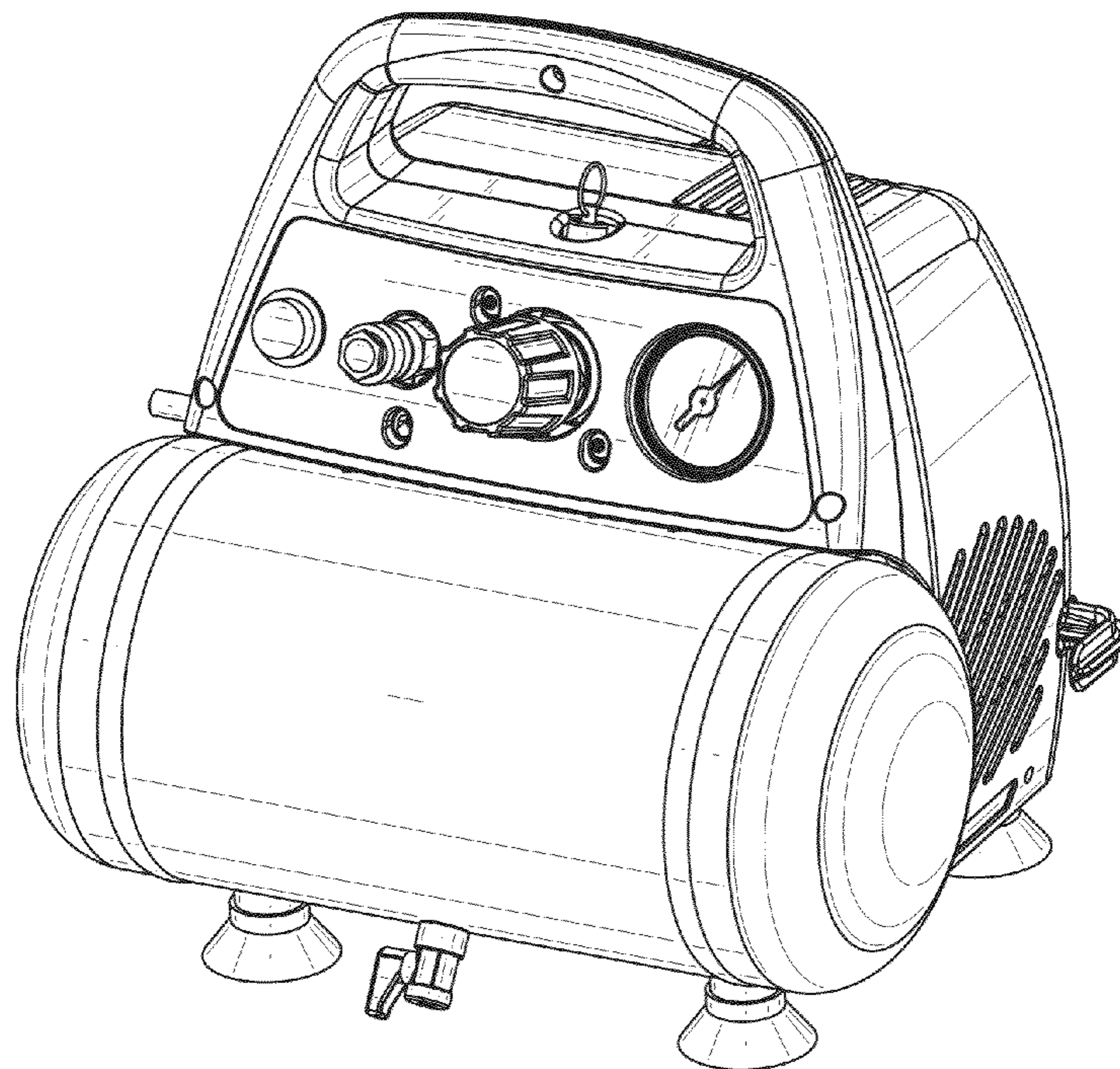


FIG. 1

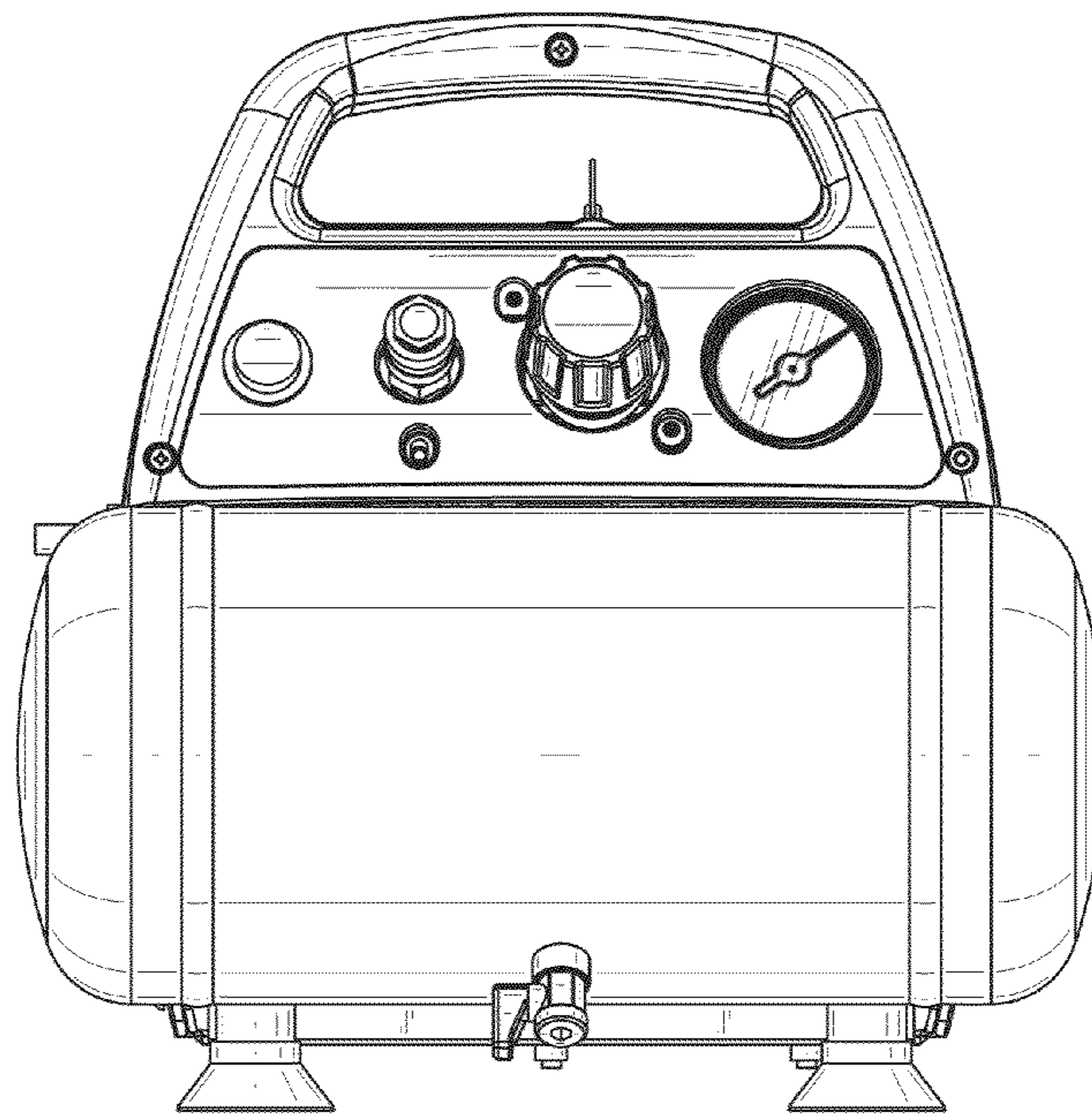


FIG. 2

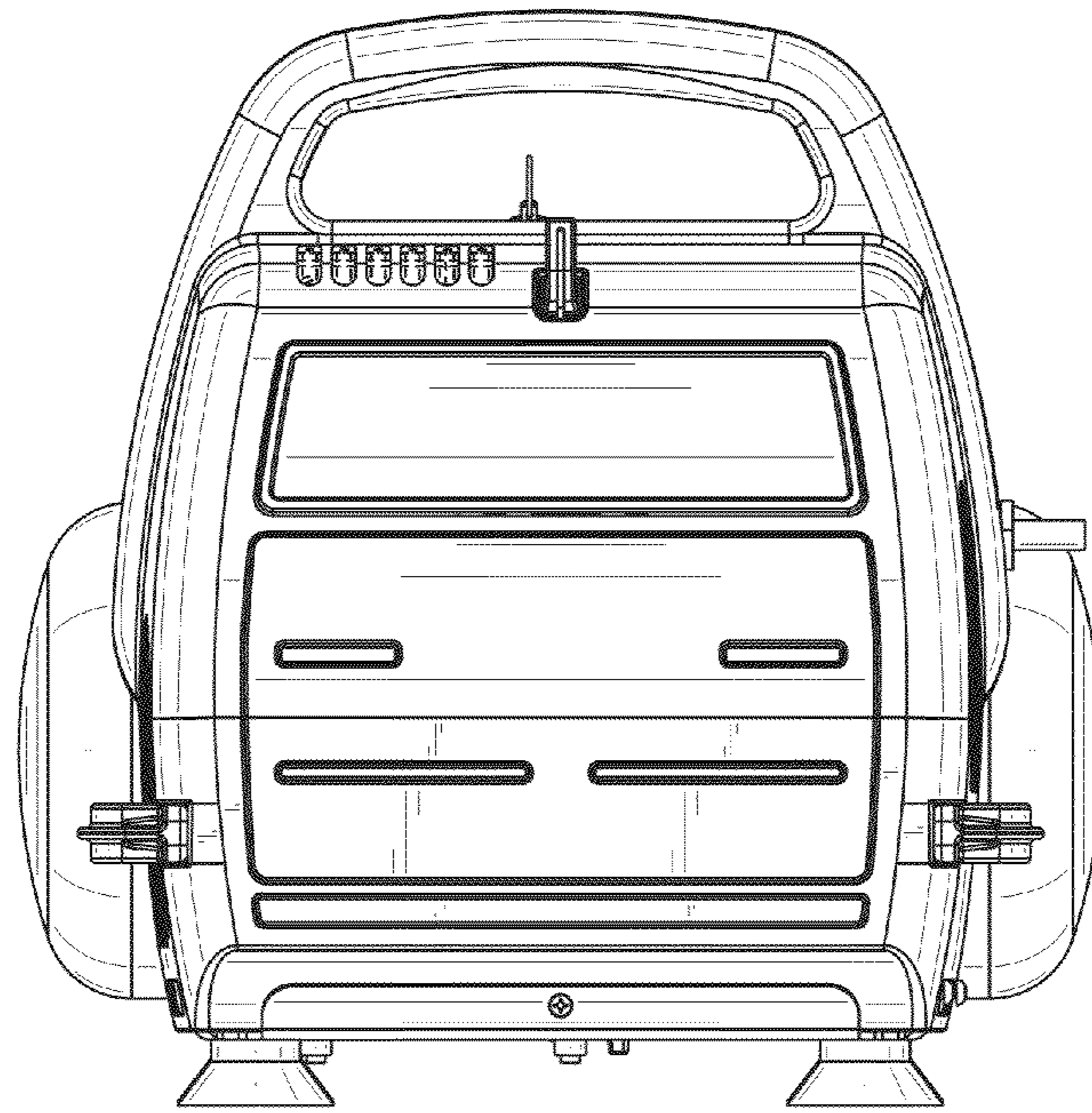


FIG. 3

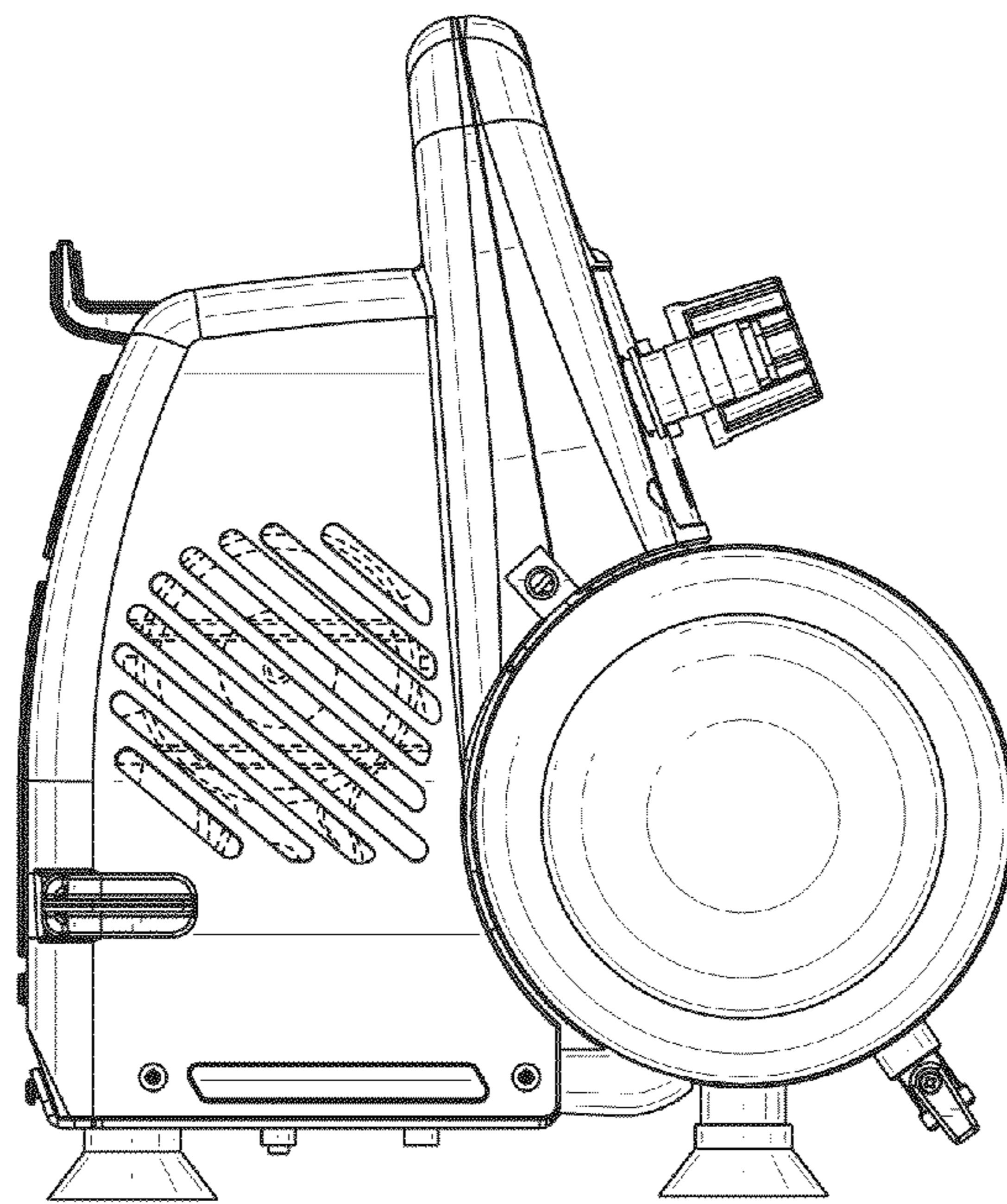


FIG. 4

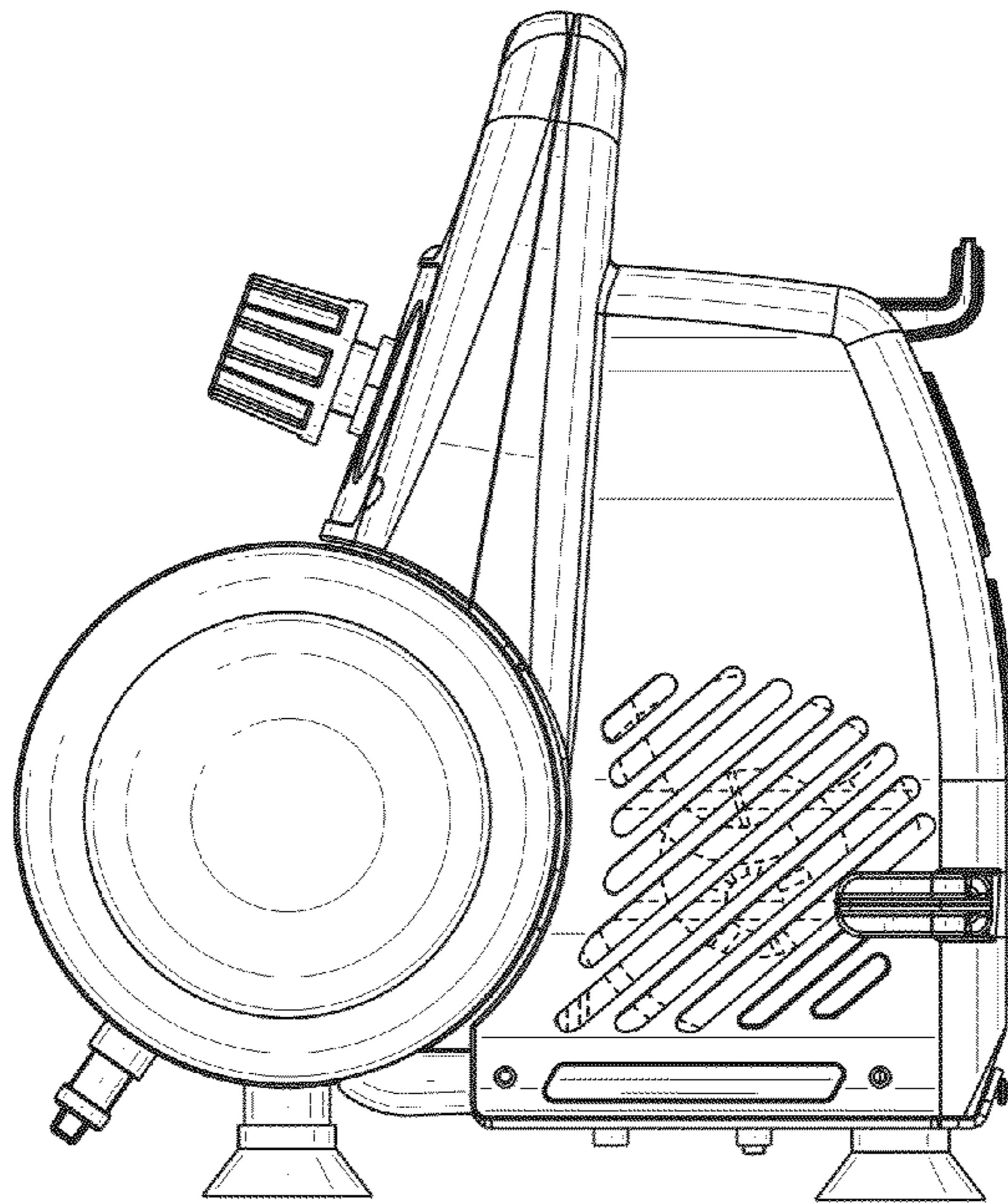


FIG. 5

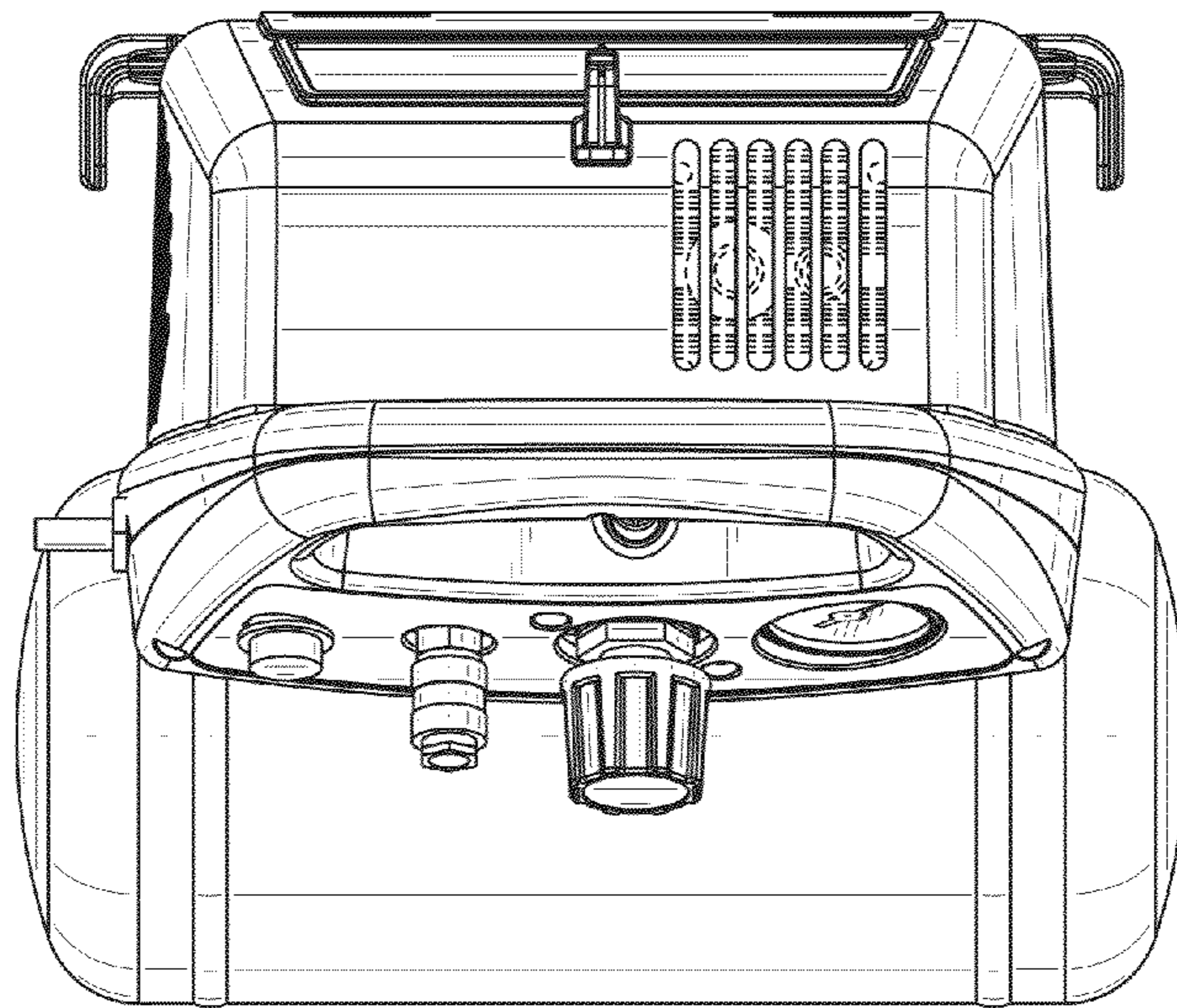


FIG. 6

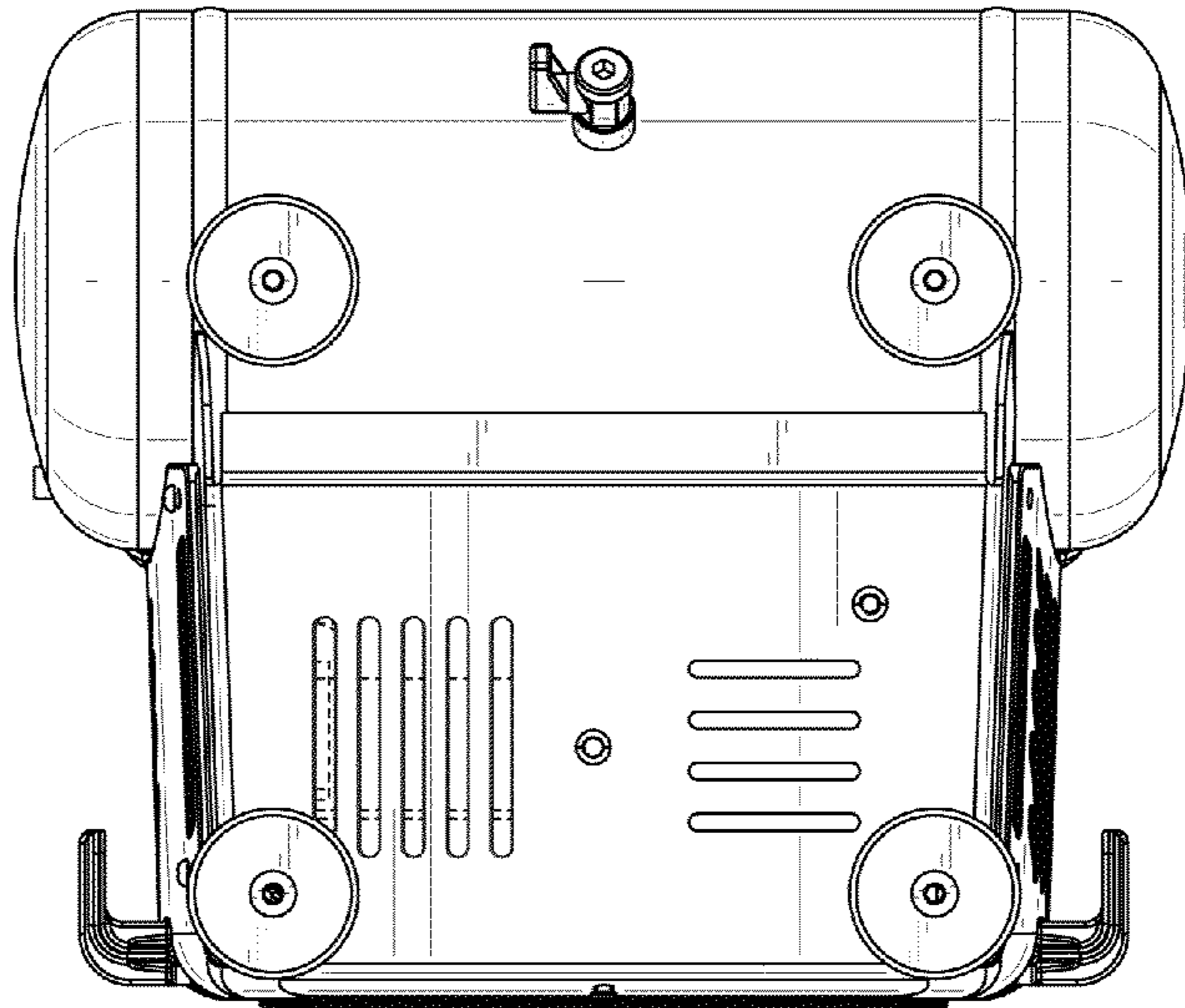


FIG. 7