



US00D668681S

(12) **United States Design Patent**
Chen

(10) **Patent No.:** **US D668,681 S**

(45) **Date of Patent:** **** Oct. 9, 2012**

(54) **AIR COMPRESSOR CYLINDER HOUSING AND CAP**

D625,338 S * 10/2010 Nam et al. D15/9
D648,750 S * 11/2011 Chu D15/9
D656,161 S * 3/2012 Nam et al. D15/9

(76) Inventor: **Chun Lan Chen**, Xingling (CN)

* cited by examiner

(**) Term: **14 Years**

Primary Examiner — Ralf Seifert

(21) Appl. No.: **29/374,700**

(74) *Attorney, Agent, or Firm* — Charles E. Baxley

(22) Filed: **Sep. 22, 2011**

(57) **CLAIM**

(51) **LOC (9) Cl.** **15-02**

The ornamental design for an air compressor cylinder housing and cap, as shown and described.

(52) **U.S. Cl.** **D15/9**

(58) **Field of Classification Search** D15/7-9;
D23/231, 232, 225; 417/60, 235, 265, 321,
417/355, 358, 363, 359, 410.1, 415-416,
417/405, 900; 60/408, 412; 184/26-37;
415/140-147; 123/495, 509

DESCRIPTION

See application file for complete search history.

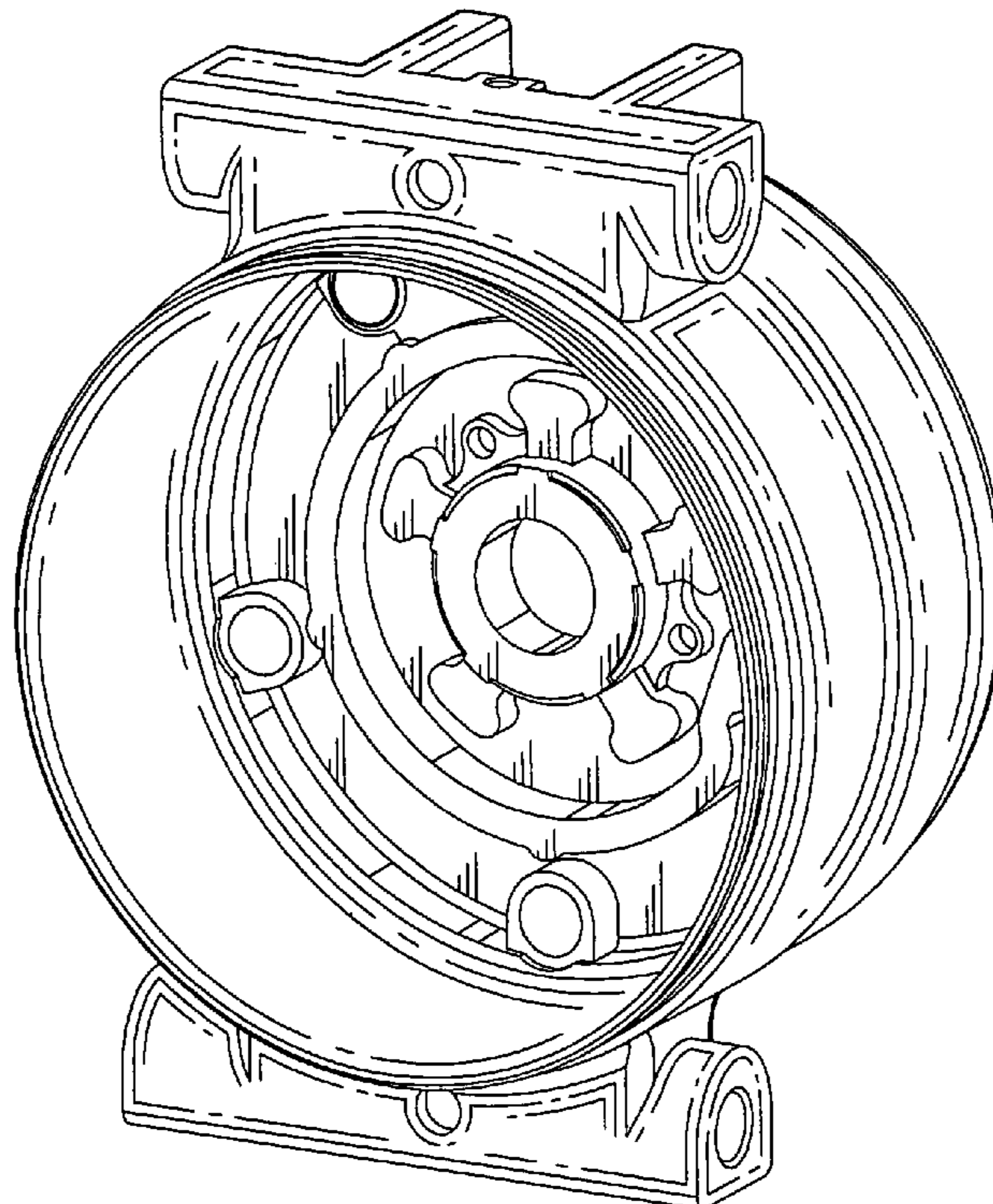
FIG. 1 is a front perspective view of an air compressor cylinder housing and cap showing my new design;
FIG. 2 is a front elevational view thereof, the element depicted by means of broken lines being for illustrative purposes only and forming no part of the claimed design;
FIG. 3 is a rear elevational view thereof;
FIG. 4 is a top plan view thereof;
FIG. 5 is a bottom plan view thereof;
FIG. 6 is a left side elevational view thereof;
FIG. 7 is a right side elevational view thereof;
FIG. 8 is a rear perspective view thereof;
FIG. 9 is a front perspective view thereof, the ribs and the bulges depicted by means of broken lines being for illustrative purposes only and forming no part of the claimed design; and,
FIG. 10 is a front elevational view thereof, the ribs and the bulges depicted by means of broken lines being for illustrative purposes only and forming no part of the claimed design.

(56) **References Cited**

U.S. PATENT DOCUMENTS

D381,993	S	*	8/1997	Takenaka et al.	D15/9
D429,738	S	*	8/2000	Kayukawa et al.	D15/9
D435,856	S	*	1/2001	Kato	D15/9
D441,377	S	*	5/2001	Kawaguchi et al.	D15/9
D441,378	S	*	5/2001	Kou	D15/9
D452,254	S	*	12/2001	Kawaguchi et al.	D15/9
D460,460	S	*	7/2002	Kayukawa et al.	D15/9
D462,364	S	*	9/2002	Fujita et al.	D15/9
D466,526	S	*	12/2002	Fujii et al.	D15/9
D537,452	S	*	2/2007	Chu	D15/9
D537,843	S	*	3/2007	Chu	D15/9
D538,301	S	*	3/2007	Chu	D15/9
D540,823	S	*	4/2007	An	D15/9

1 Claim, 5 Drawing Sheets



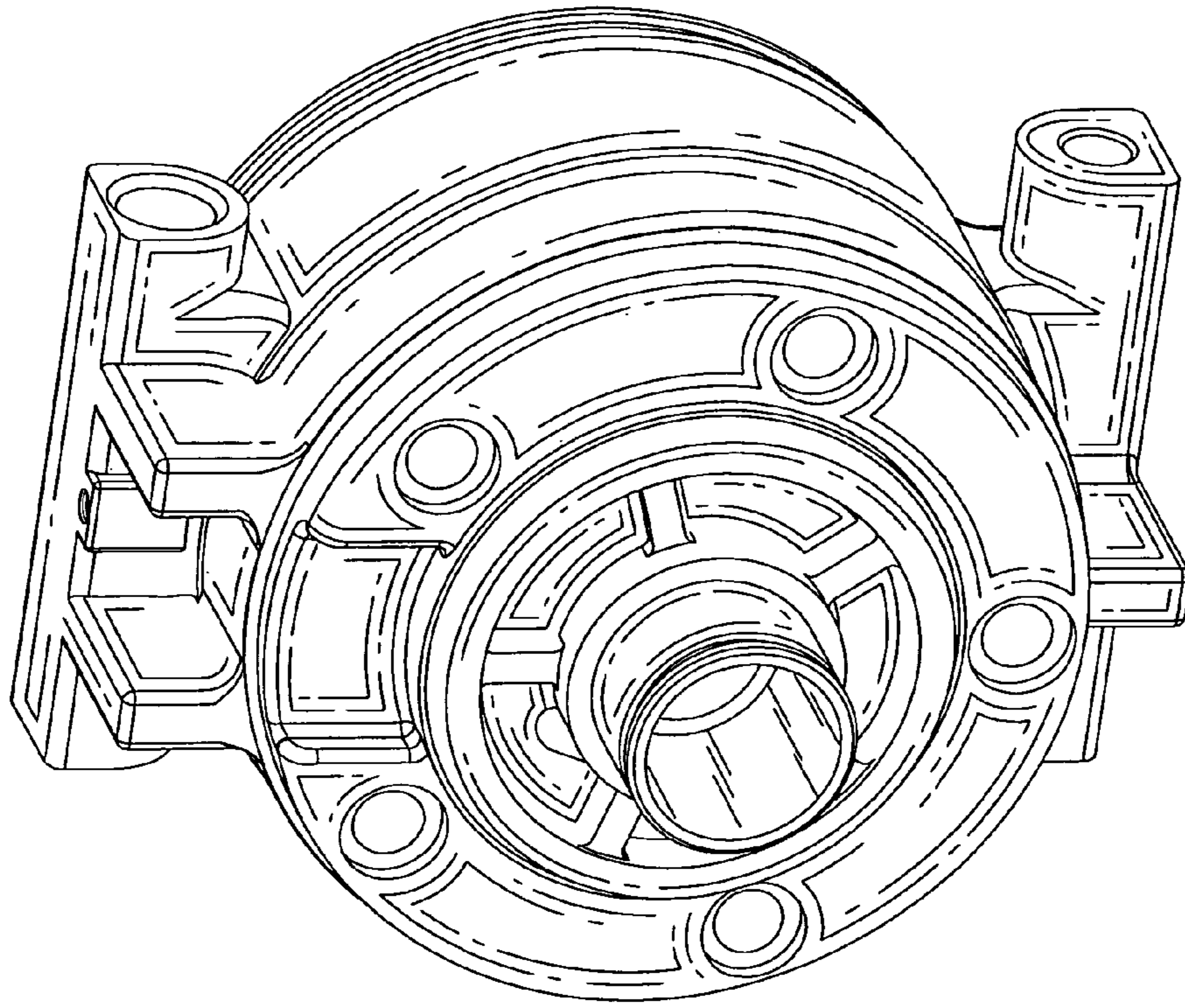


FIG. 8

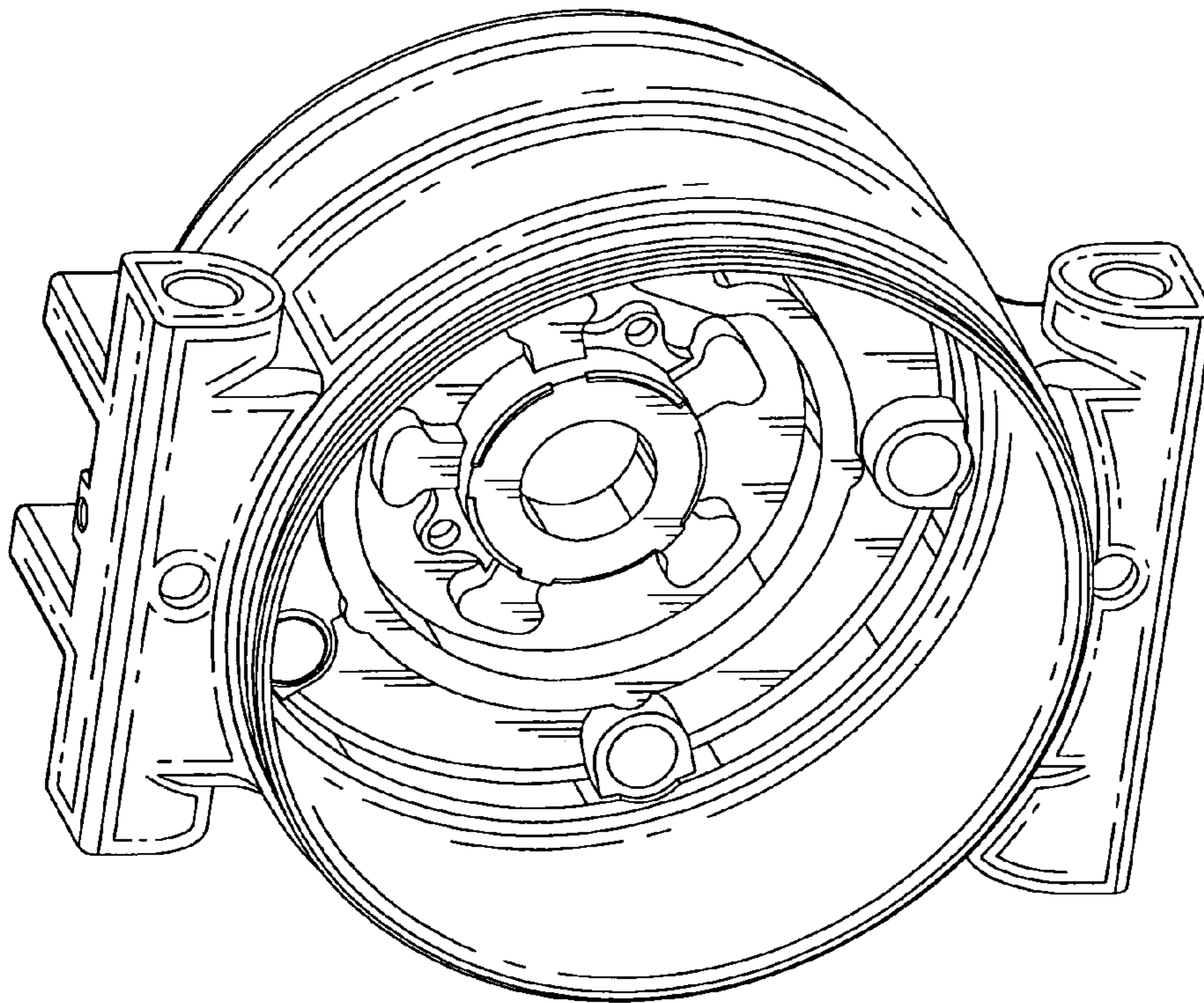


FIG. 1

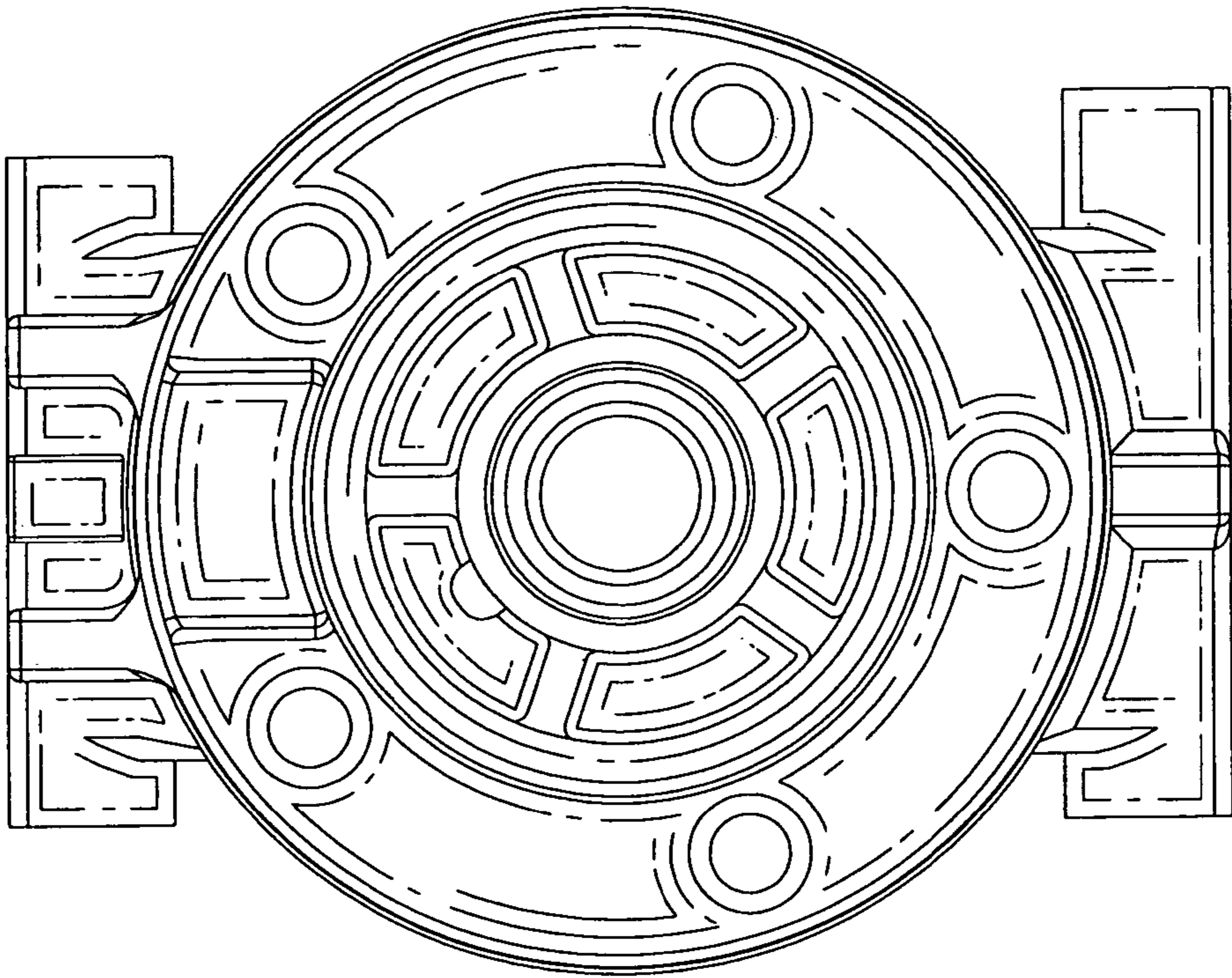


FIG. 3

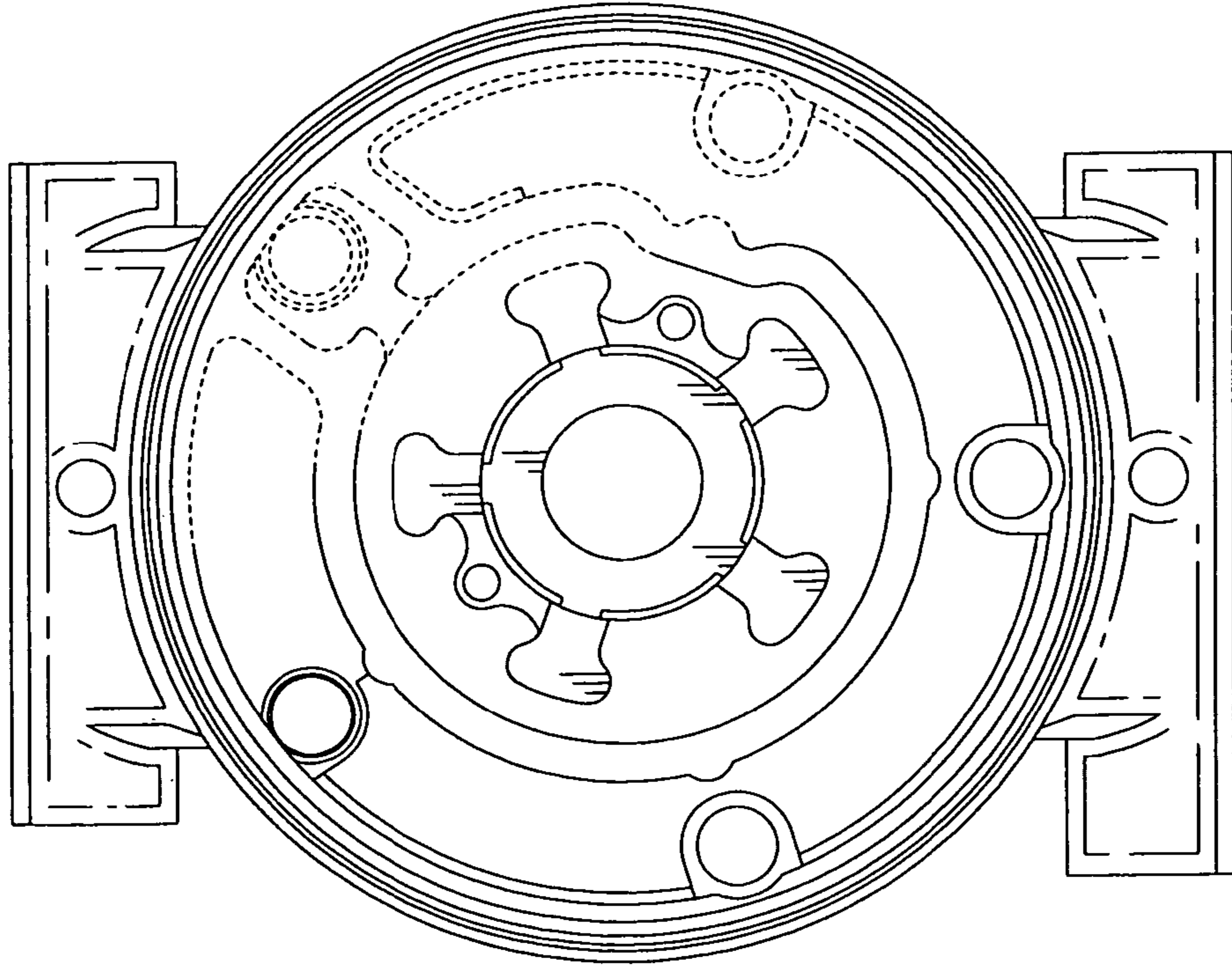


FIG. 2

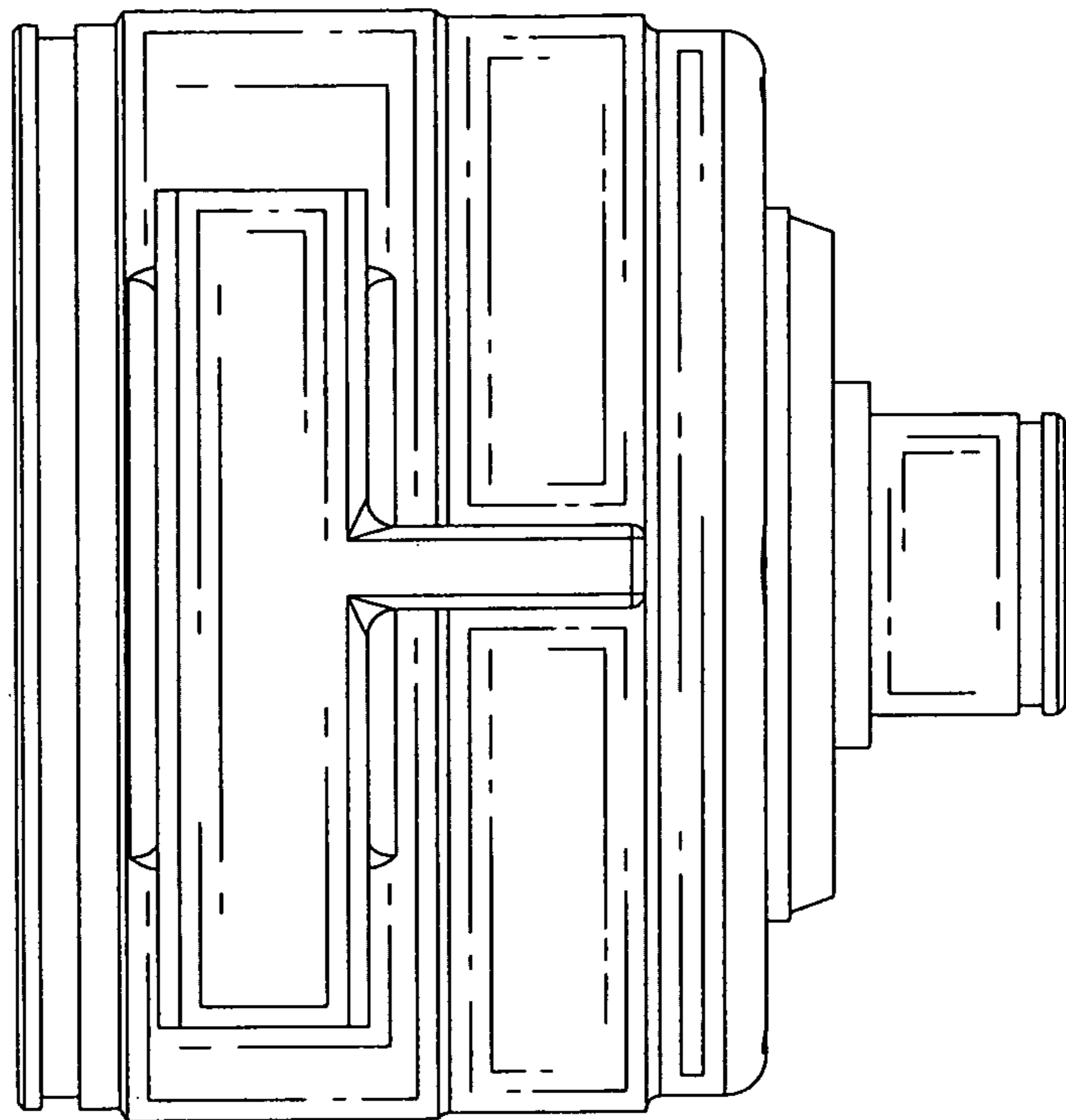


FIG. 5

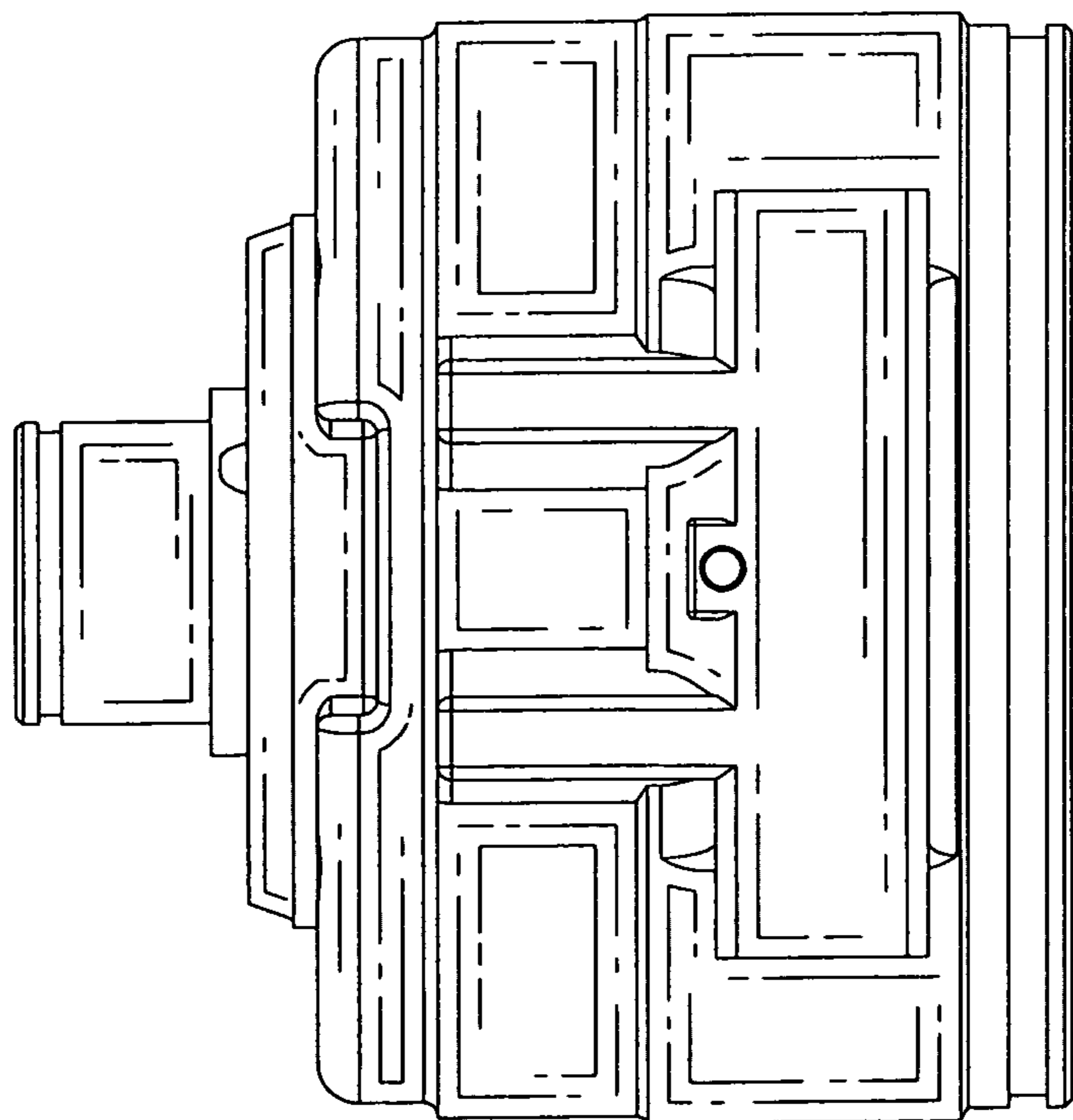


FIG. 4

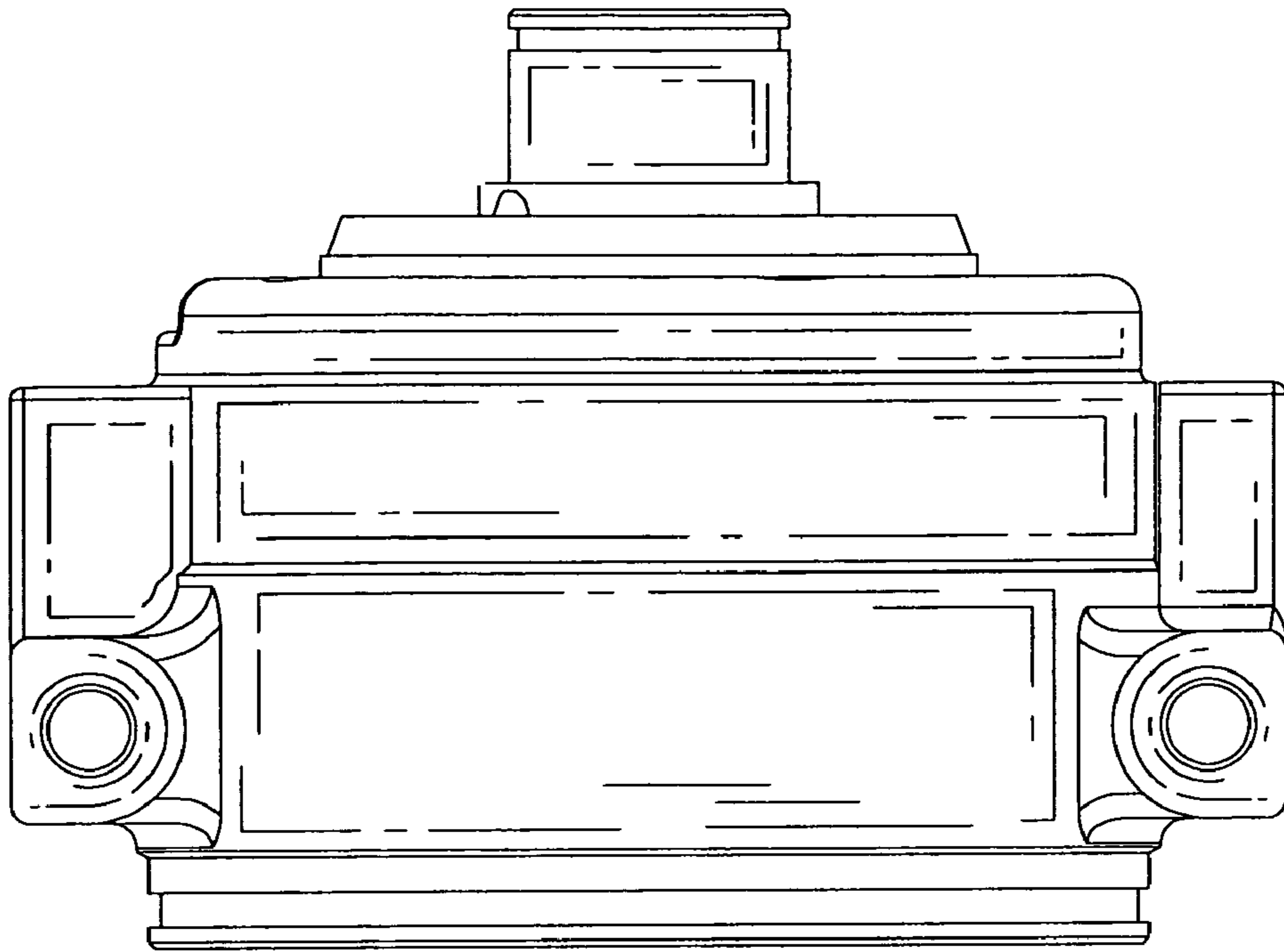


FIG. 7

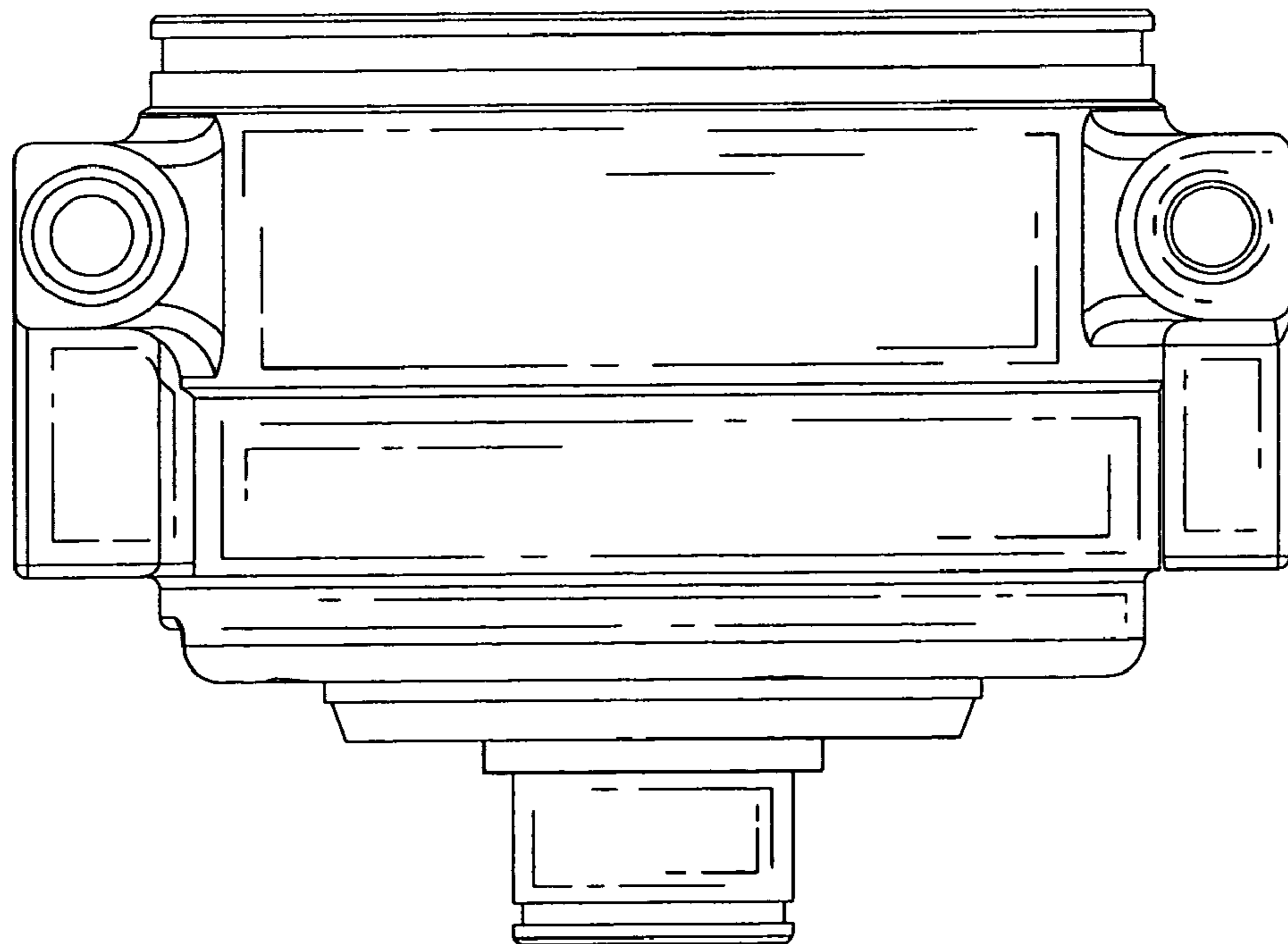


FIG. 6

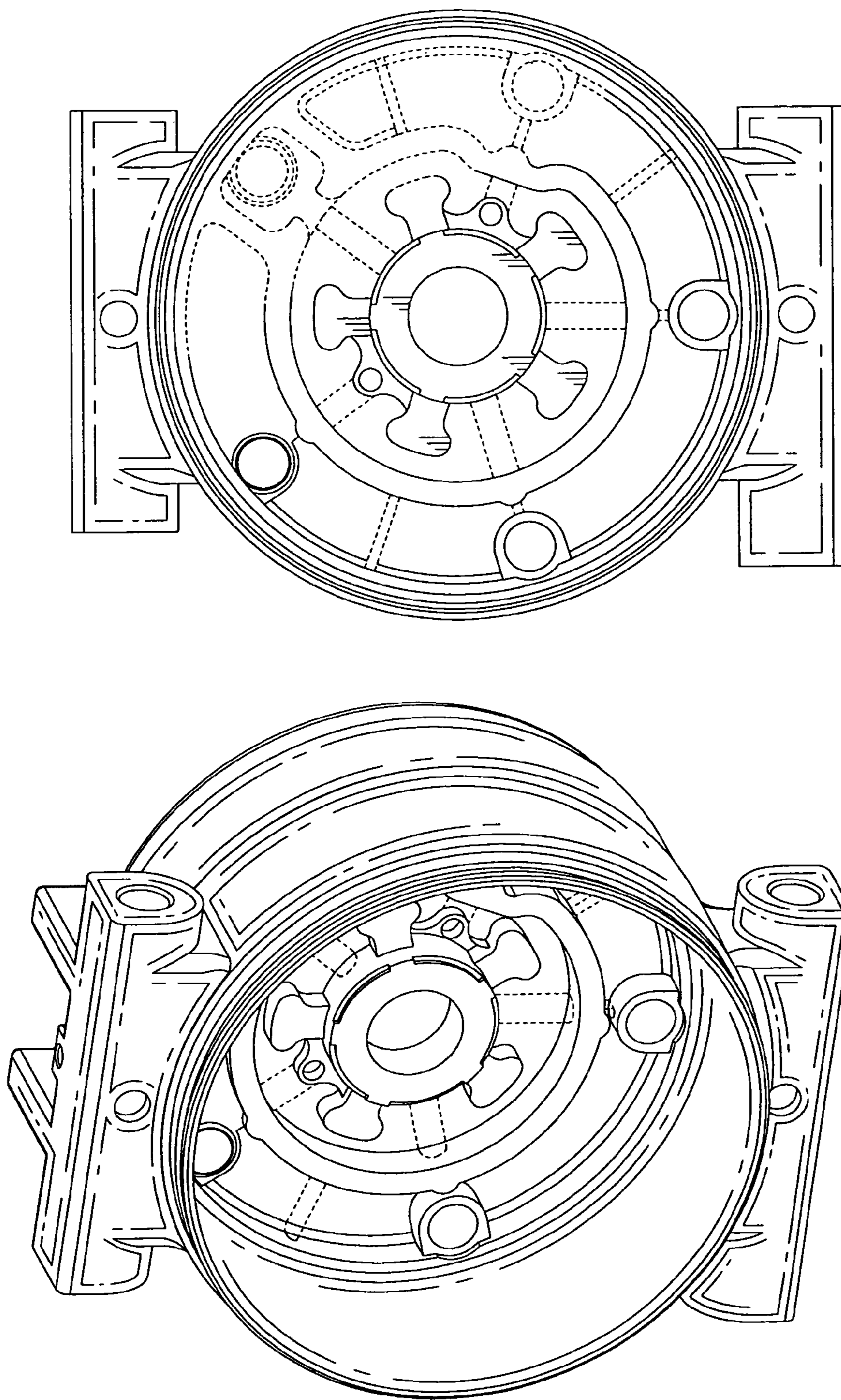


FIG. 10

FIG. 9