

US00D668676S

(12) **United States Design Patent**
Ohm et al.

(10) **Patent No.:** **US D668,676 S**

(45) **Date of Patent:** **** Oct. 9, 2012**

(54) **HAND-HELD TIRE INFLATOR**

(56) **References Cited**

(75) Inventors: **Patrick L. Ohm**, Mesa, AZ (US); **C. Kwai Kong**, Gilroy, CA (US); **Alan Okamura**, Santa Cruz, CA (US); **Todd Donaldson**, Nashville, TN (US)

U.S. PATENT DOCUMENTS

D507,278 S * 7/2005 Moser, III D15/9
D623,201 S * 9/2010 Yu D15/7
D649,164 S * 11/2011 Cook D15/7

* cited by examiner

(73) Assignee: **Bell Automotive Products, Inc.**,
Scottsdale, AZ (US)

Primary Examiner — Ralf Seifert

(74) *Attorney, Agent, or Firm* — Booth Udall, PLC

(**) Term: **14 Years**

(57) **CLAIM**

The ornamental design for a hand-held tire inflator, as shown and described.

(21) Appl. No.: **29/413,362**

DESCRIPTION

(22) Filed: **Feb. 14, 2012**

FIG. 1 is a right side view of a hand-held tire inflator;
FIG. 2 is a front view thereof;
FIG. 3 is a top view thereof;
FIG. 4 is a bottom view thereof;
FIG. 5 is a rear view thereof;
FIG. 6 is a perspective view thereof; and,
FIG. 7 is a left side view thereof.

(51) **LOC (9) Cl.** **15-02**

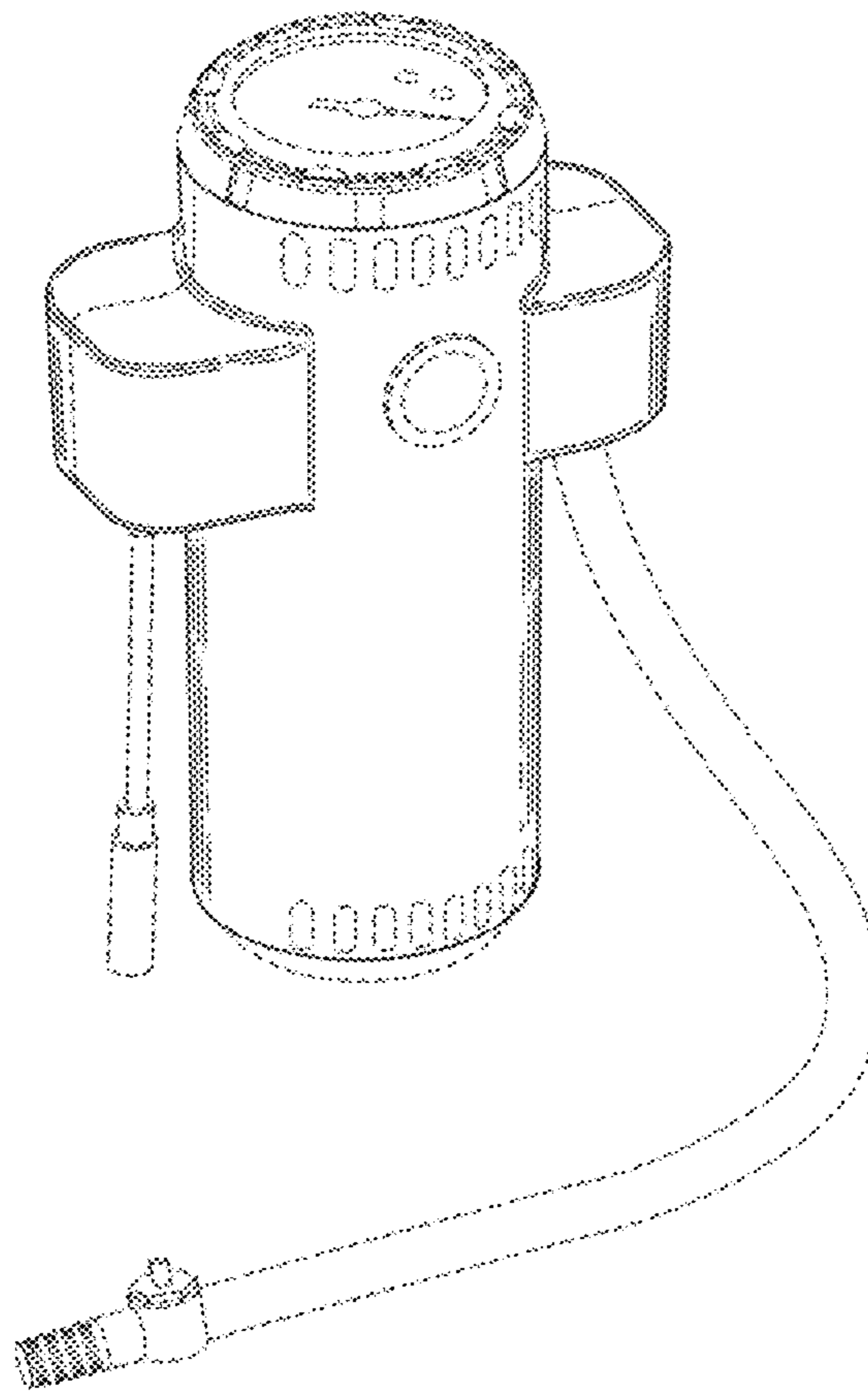
(52) **U.S. Cl.** **D15/7**

(58) **Field of Classification Search** D15/7-9;
D23/231, 232, 225; 417/60, 235, 265, 321,
417/355, 358, 363, 359, 410.1, 415-416,
417/405, 900; 60/408, 412; 184/26-37;
415/140-147; 123/495, 509

The broken lines are included for the purpose of illustrating environmental features and form no part of the claimed design.

See application file for complete search history.

1 Claim, 6 Drawing Sheets



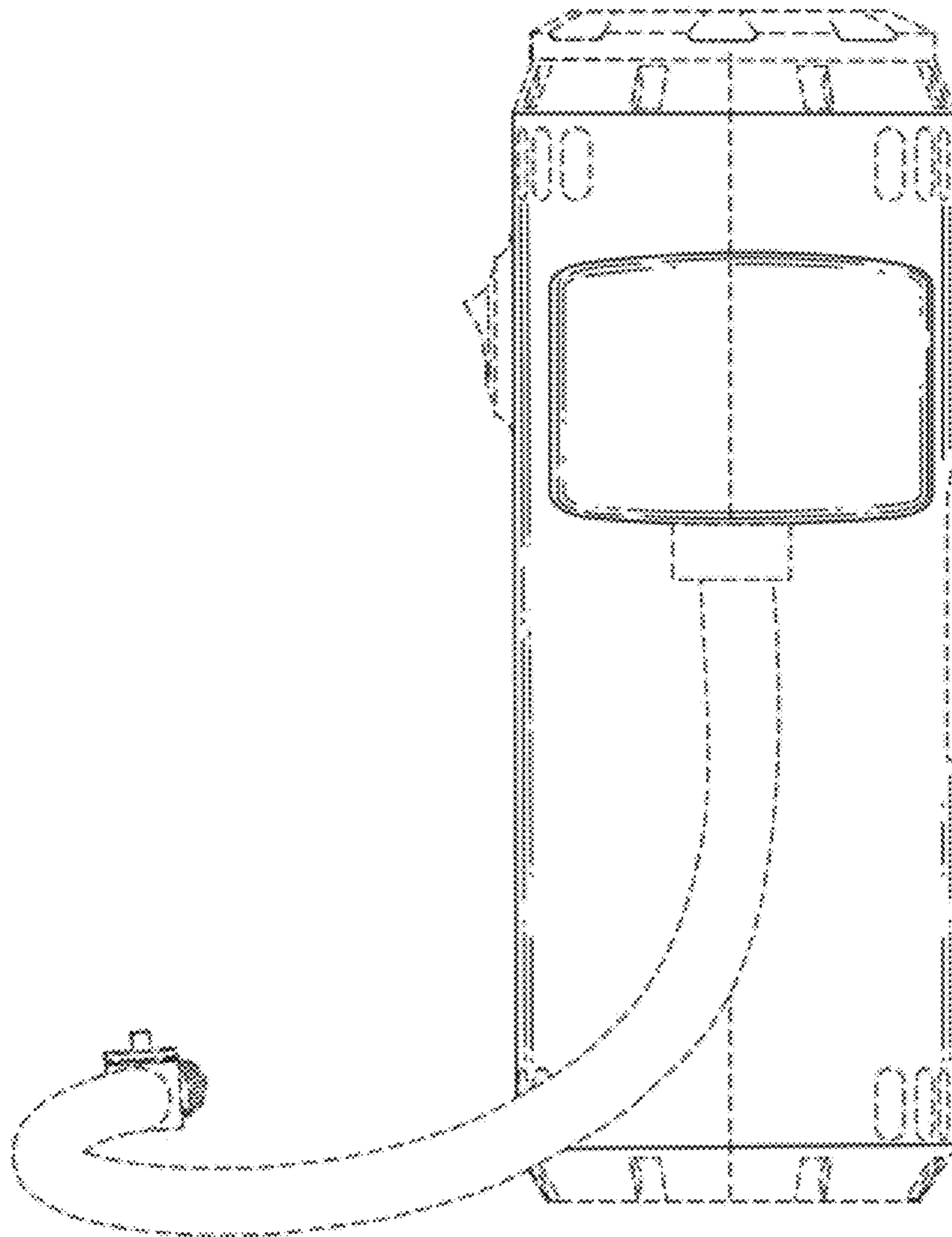


FIG. 1

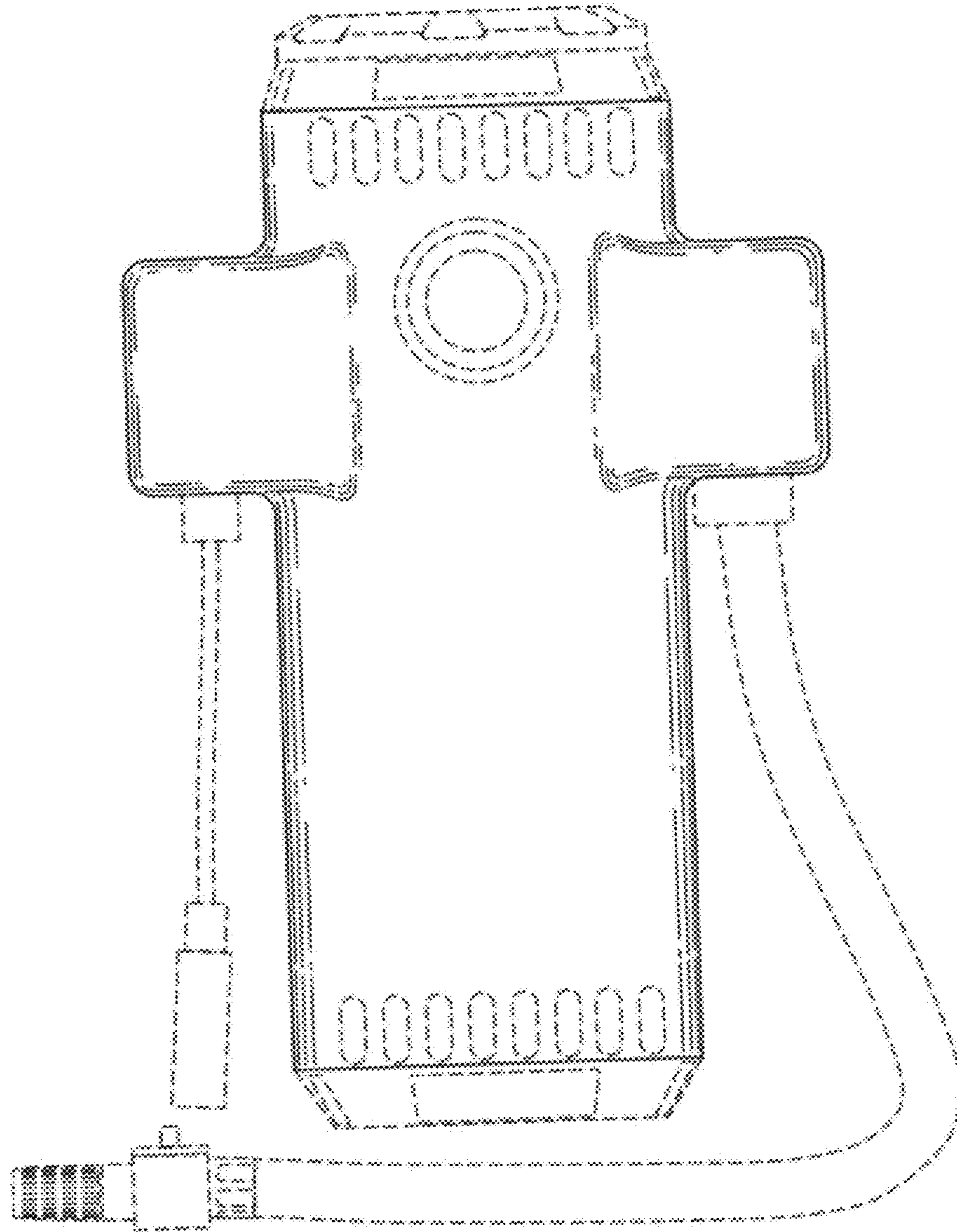


FIG. 2

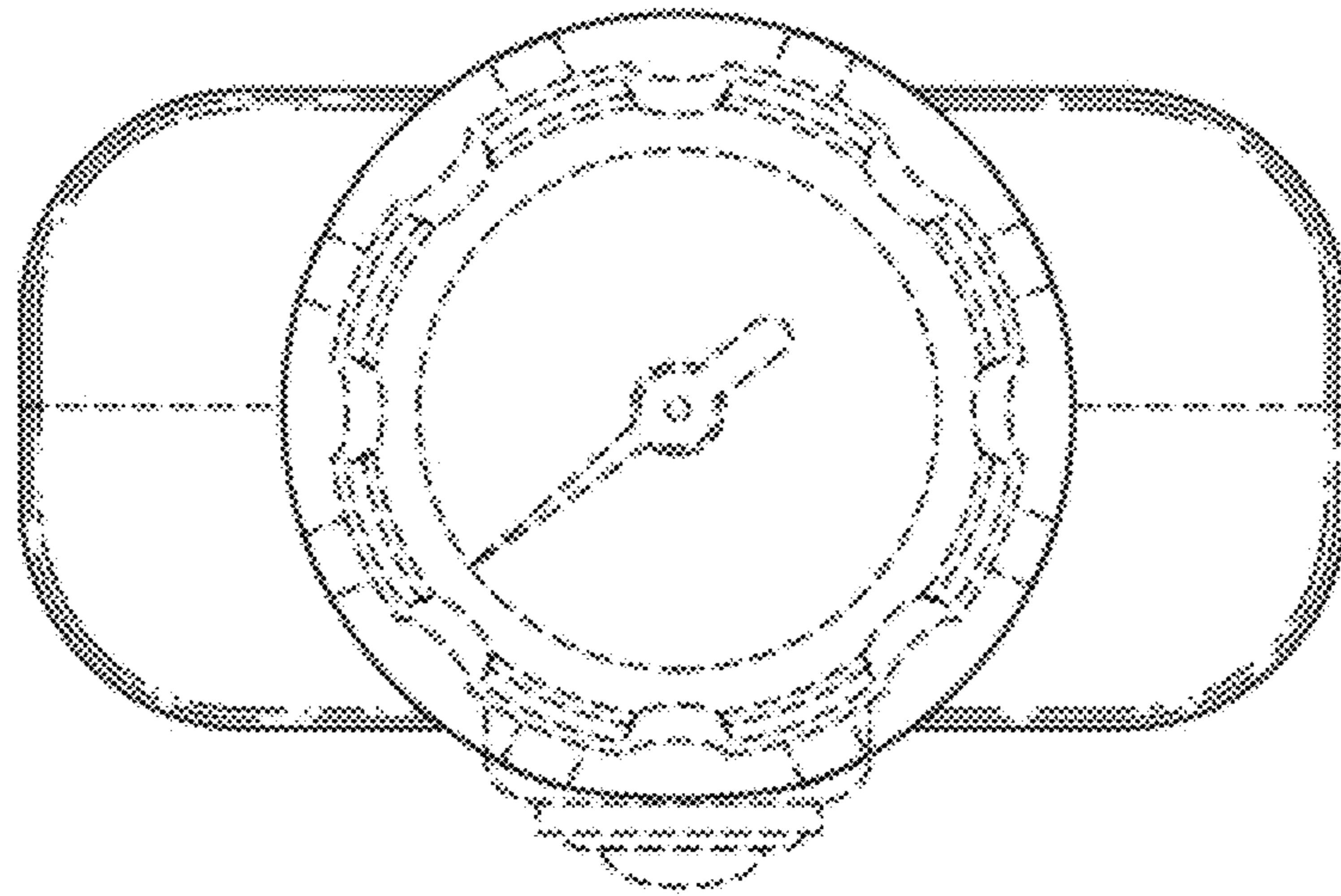


FIG. 3

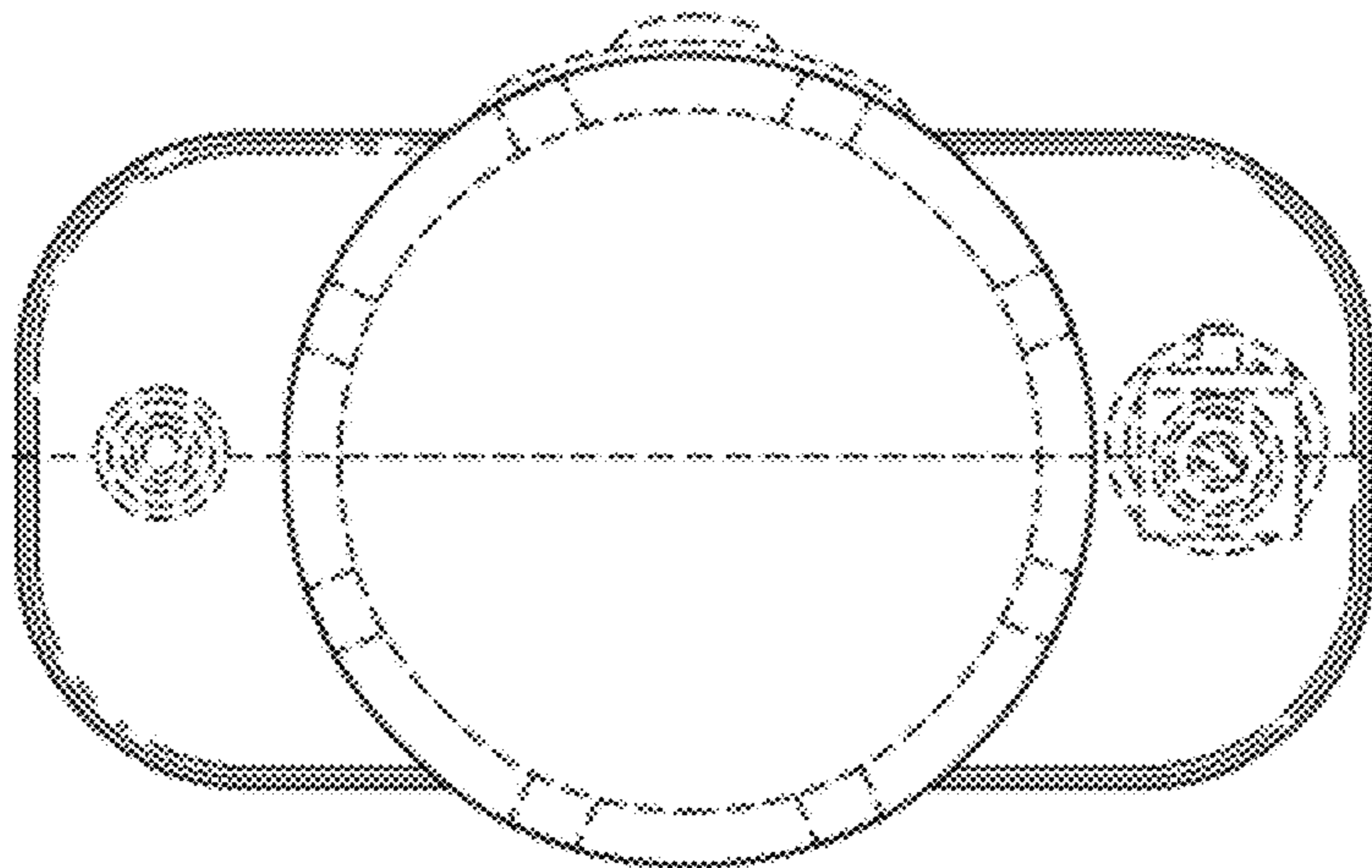


FIG. 4

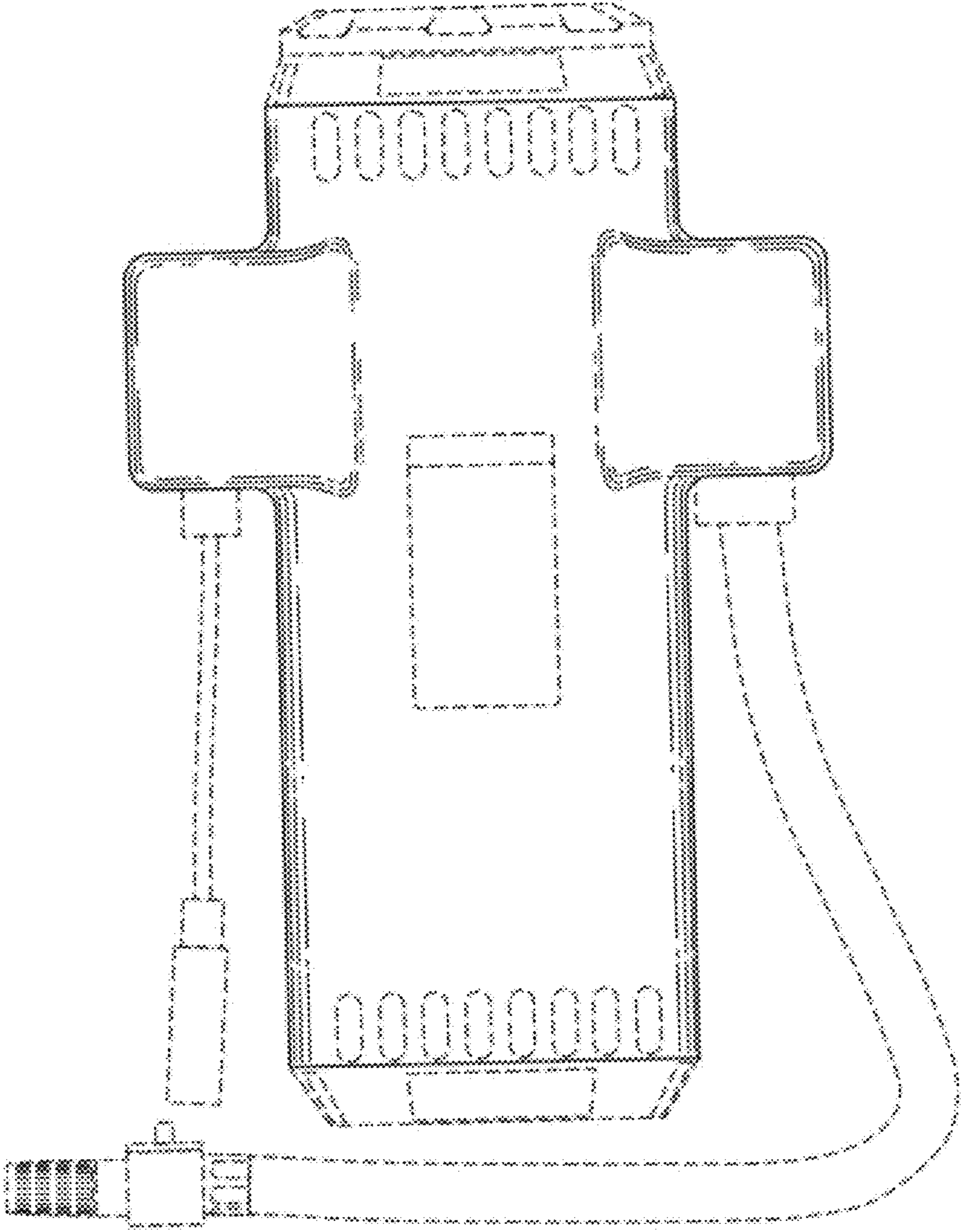


FIG. 5

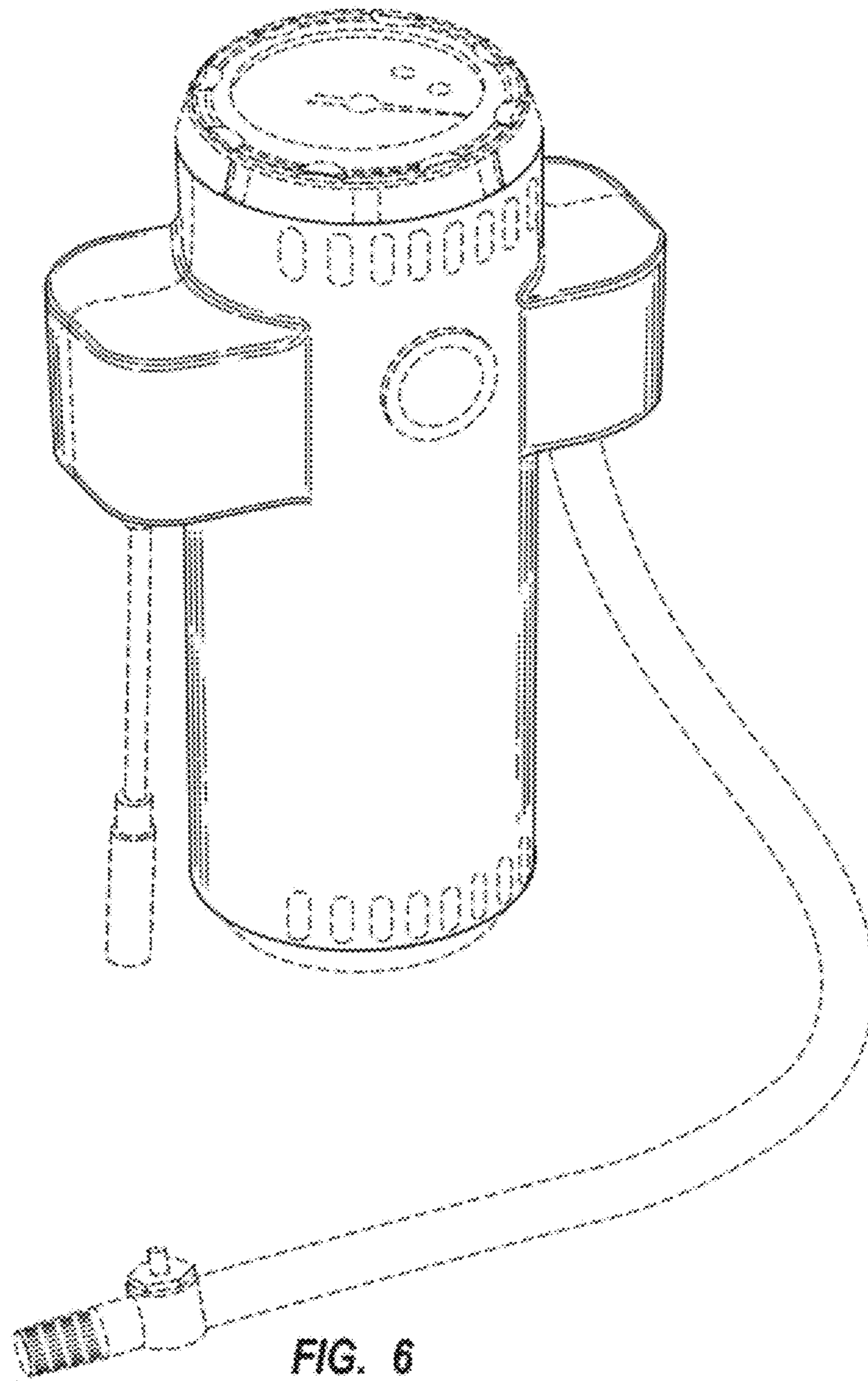


FIG. 6

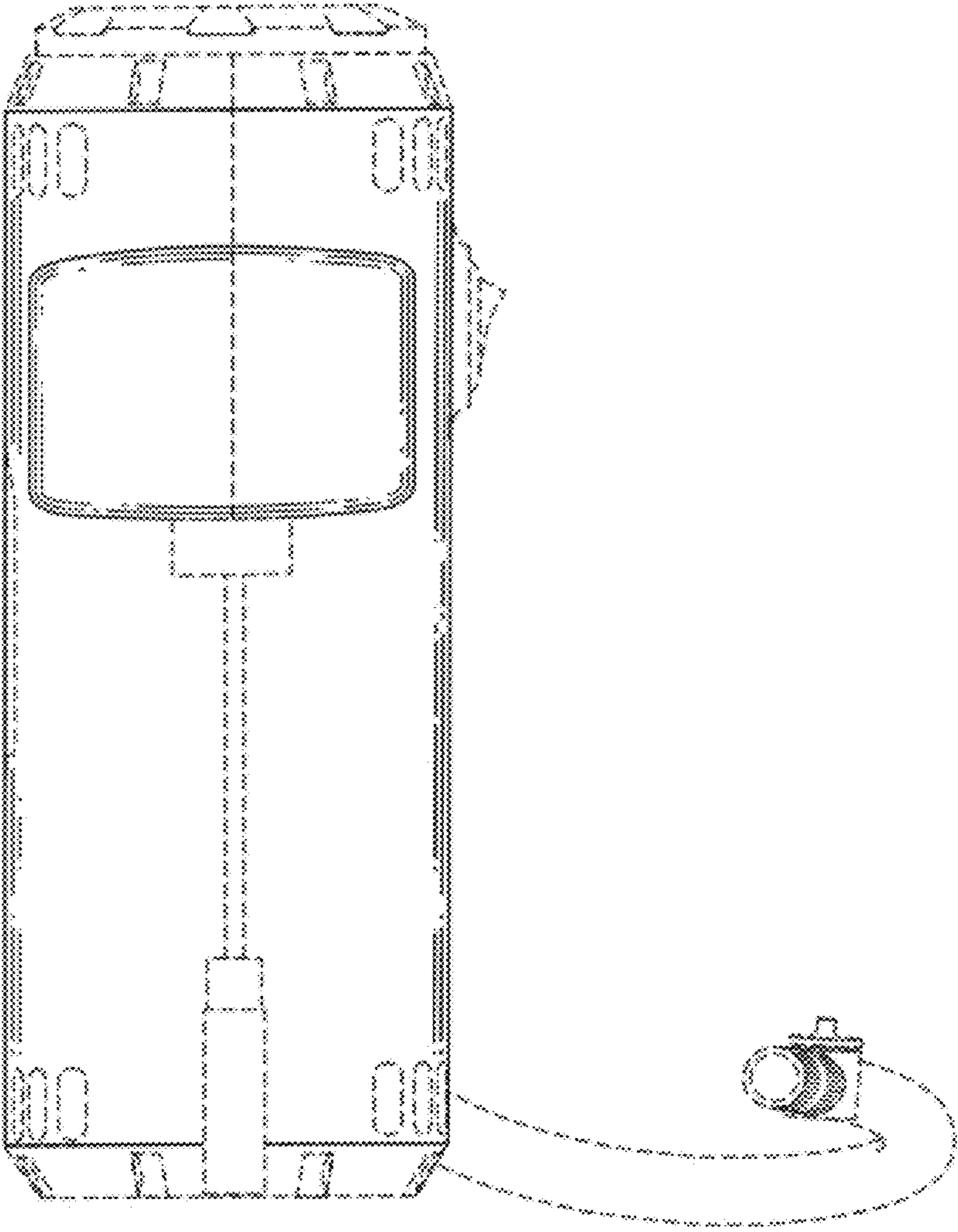


FIG. 7