



US00D668675S

(12) **United States Design Patent**  
**Ramirez, Jr.**

(10) **Patent No.:** **US D668,675 S**

(45) **Date of Patent:** **\*\* Oct. 9, 2012**

(54) **PERISTALTIC PUMP ROTOR**

(75) Inventor: **Emilio A. Ramirez, Jr.**, Roselle, IL (US)

(73) Assignee: **Molon Motor and Coil Corporation**,  
Arlington Heights, IL (US)

(\*\*) Term: **14 Years**

(21) Appl. No.: **29/375,161**

(22) Filed: **Sep. 17, 2010**

(51) **LOC (9) Cl.** ..... **15-02**

(52) **U.S. Cl.** ..... **D15/7**

(58) **Field of Classification Search** ..... D15/7-9;  
D23/231, 232, 225; 417/60, 235, 265, 321,  
417/355, 358, 363, 359, 410.1, 415-416,  
417/405, 900; 60/408, 412; 184/26-37;  
415/140-147; 123/495, 509

See application file for complete search history.

(56) **References Cited**

**U.S. PATENT DOCUMENTS**

4,755,468	A *	7/1988	Jung et al.	.....	435/178
5,266,013	A *	11/1993	Aubert et al.	.....	417/474
5,538,405	A *	7/1996	Patno et al.	.....	417/326
D479,323	S *	9/2003	Gillespie et al.	.....	D24/111
6,743,204	B2 *	6/2004	Christenson et al.	.....	604/151

D588,262	S *	3/2009	Pukall et al.	.....	D24/111
D616,903	S *	6/2010	Kimura et al.	.....	D15/7
D655,810	S *	3/2012	Amborn et al.	.....	D24/111

\* cited by examiner

*Primary Examiner* — Ralf Seifert

(74) *Attorney, Agent, or Firm* — Bishop & Diehl, Ltd.

(57) **CLAIM**

The ornamental design for the peristaltic pump rotor, as shown and described.

**DESCRIPTION**

FIG. 1 is a perspective view of a first embodiment of the peristaltic pump rotor showing the new design;

FIG. 2 is a front elevational view of the embodiment of FIG. 1;

FIG. 3 is a rear elevational view of the embodiment of FIG. 1; FIG. 4 is a side elevational view of a first side of the embodiment of FIG. 1;

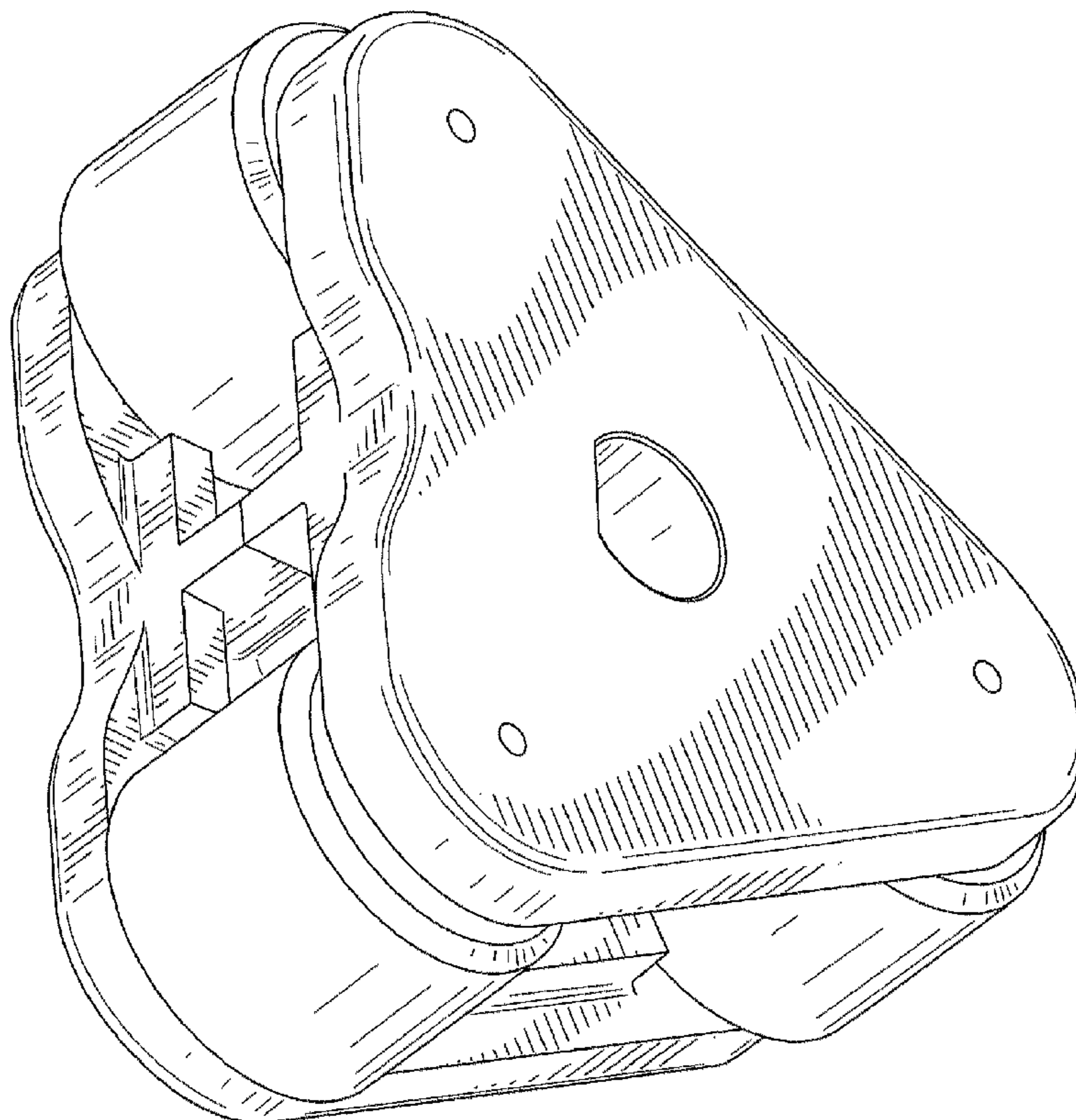
FIG. 5 is a side elevational view of one corner of the embodiment of FIG. 1, with the remaining two corners being identical;

FIG. 6 is a side elevational view of a second side of the embodiment of FIG. 1; and,

FIG. 7 is a side elevational view of a third side of the embodiment of FIG. 1.

The broken lines in FIGS. 4 and 6-7 are included for the purpose of illustrating portions of the peristaltic pump rotor that form no part of the claimed design.

**1 Claim, 5 Drawing Sheets**



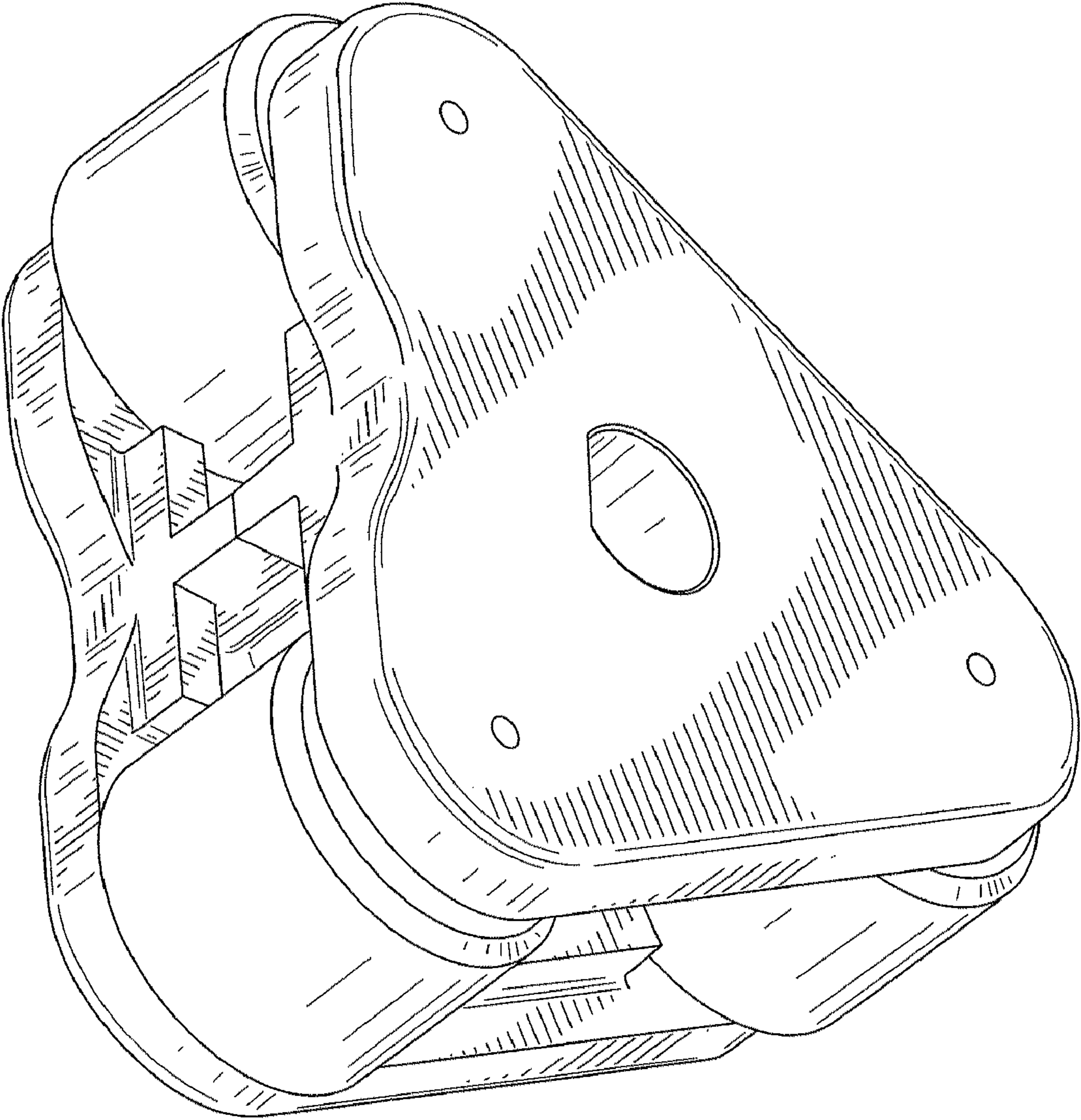


FIG. 1

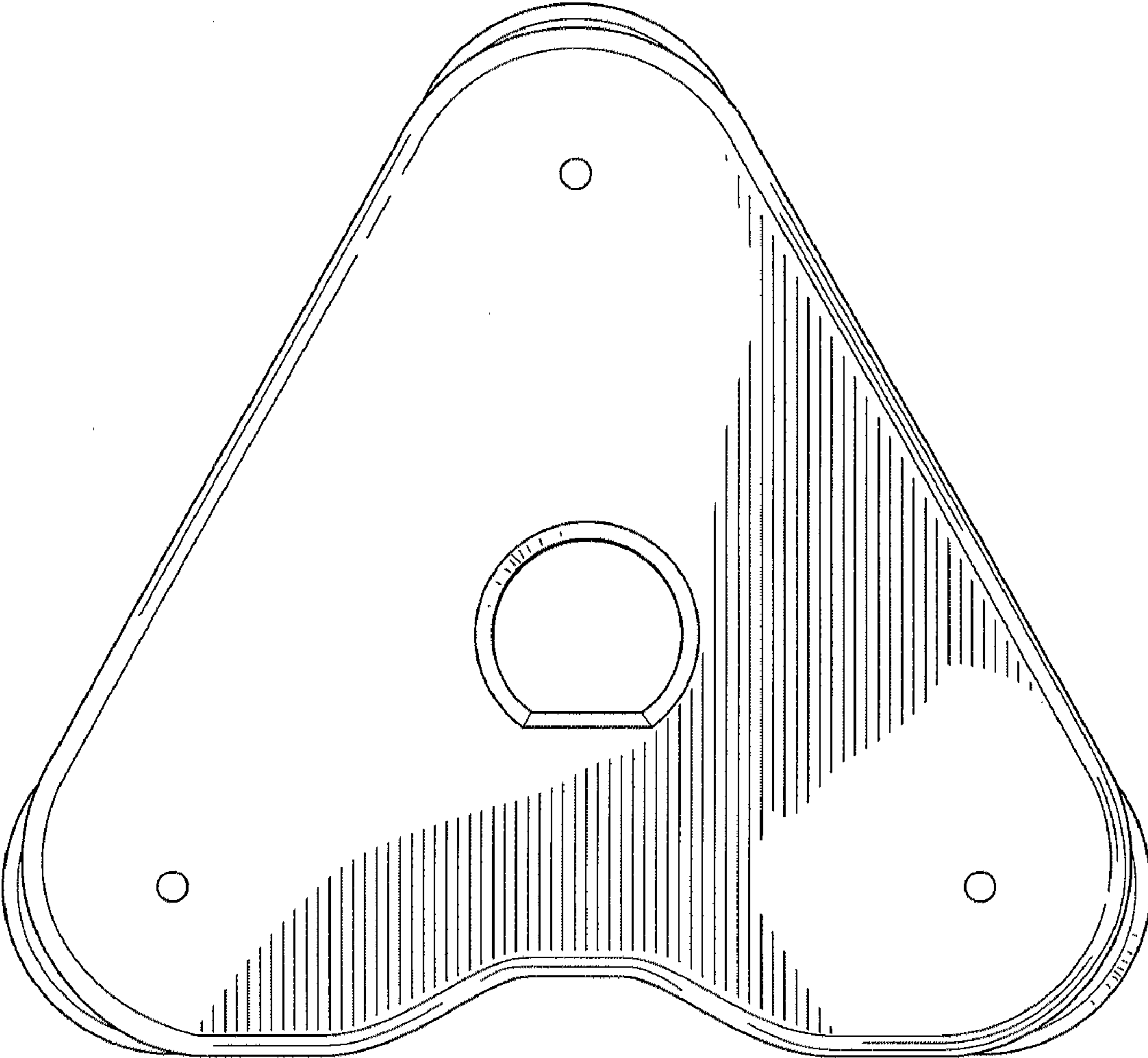


FIG. 2

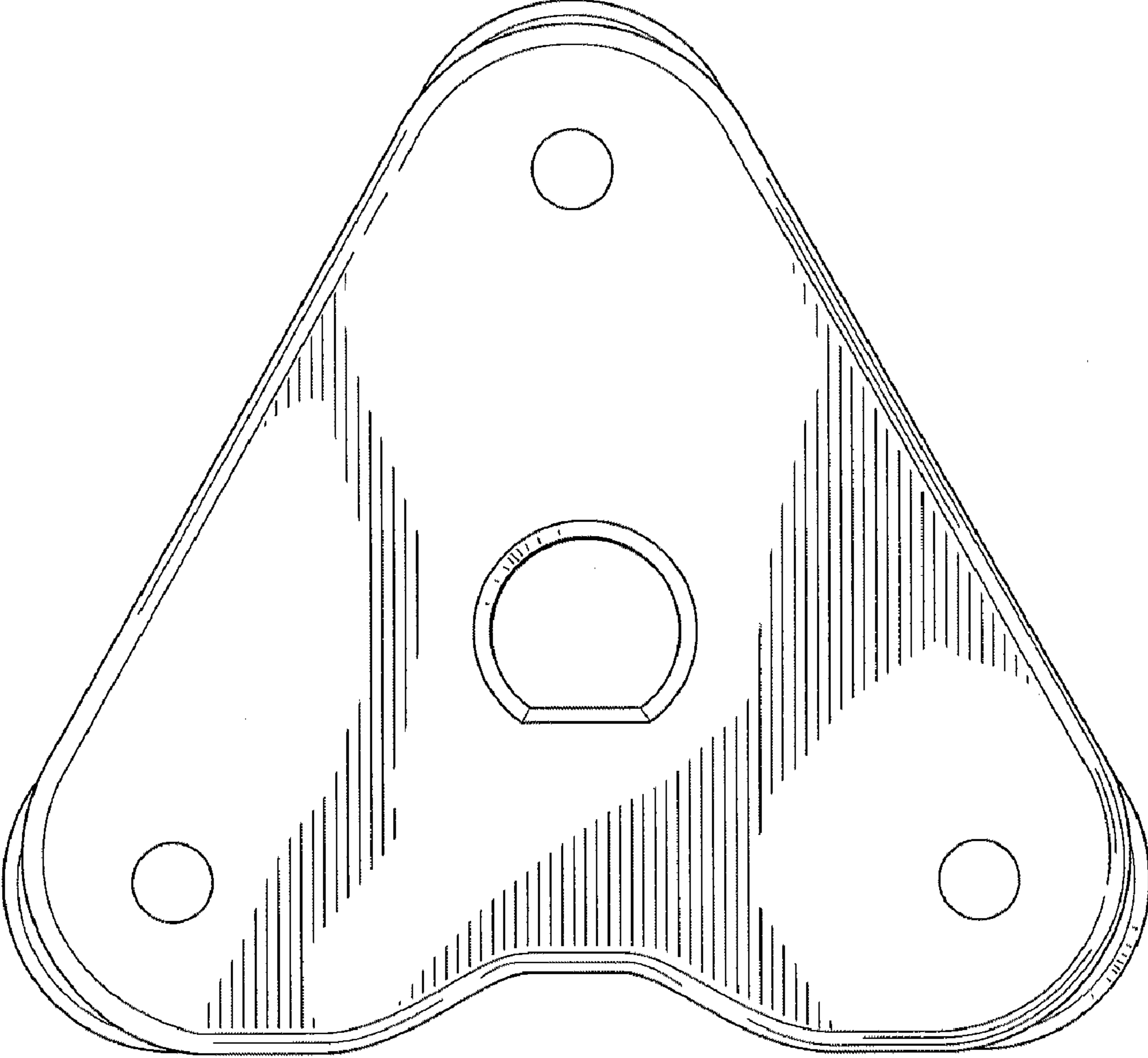


FIG. 3

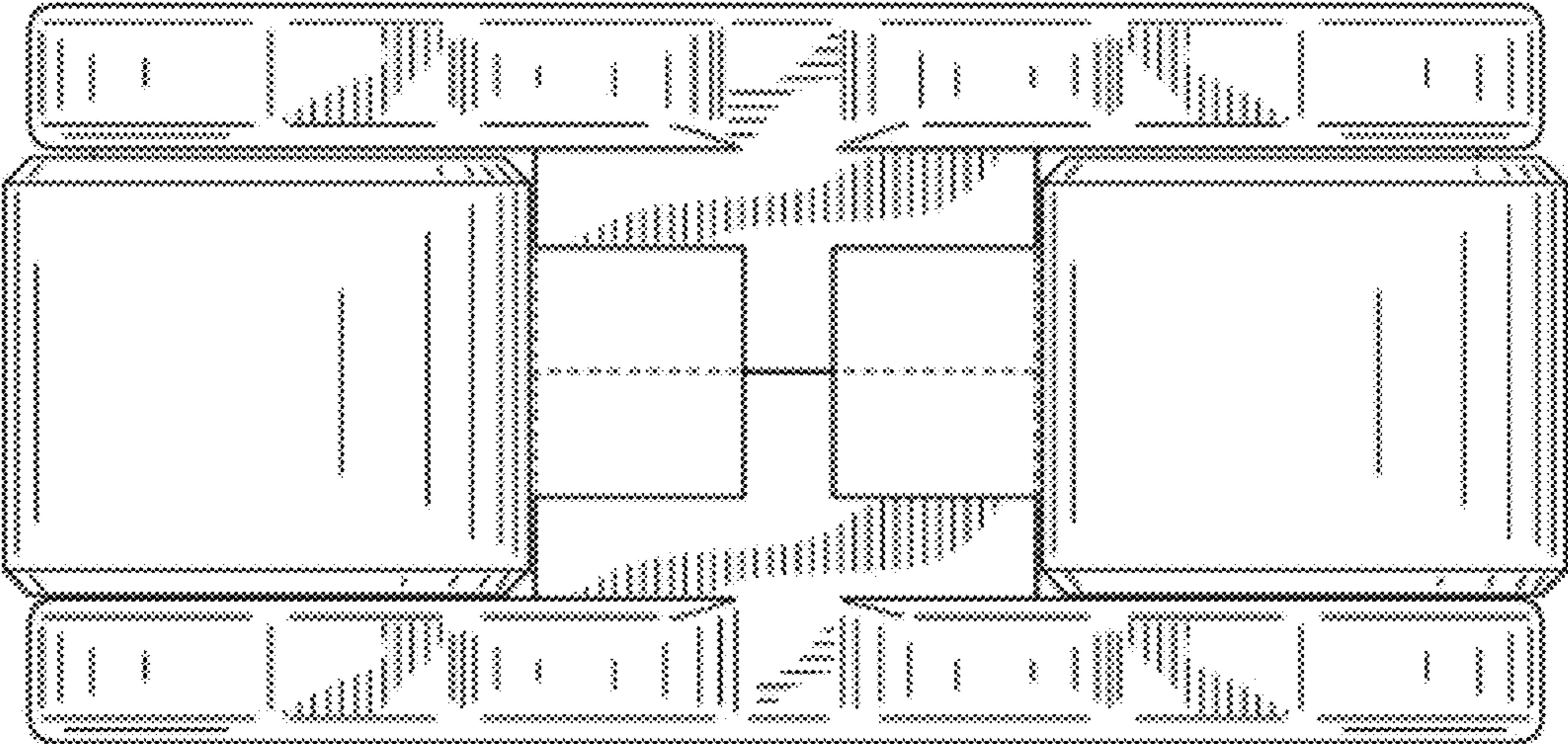


FIG. 4

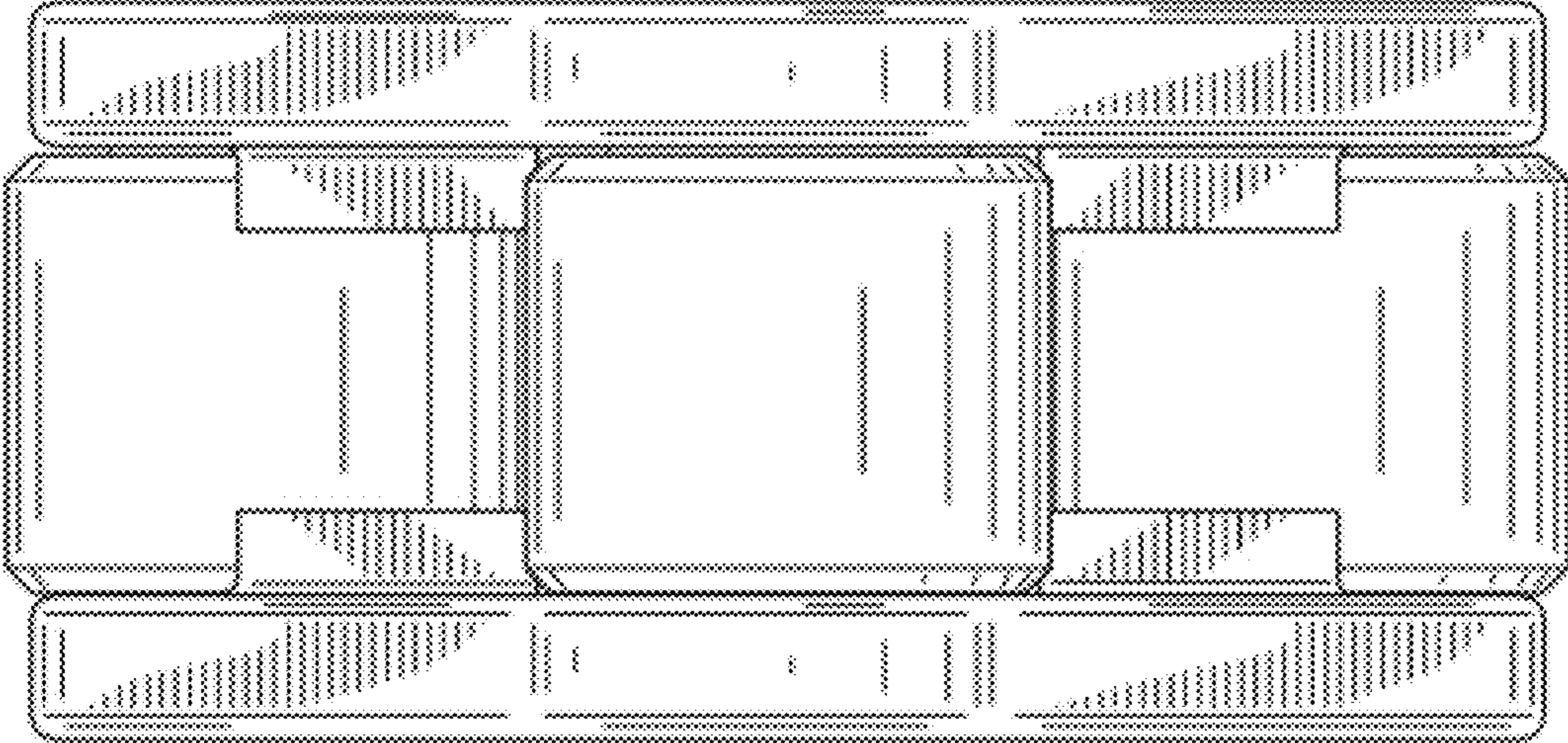


FIG. 5

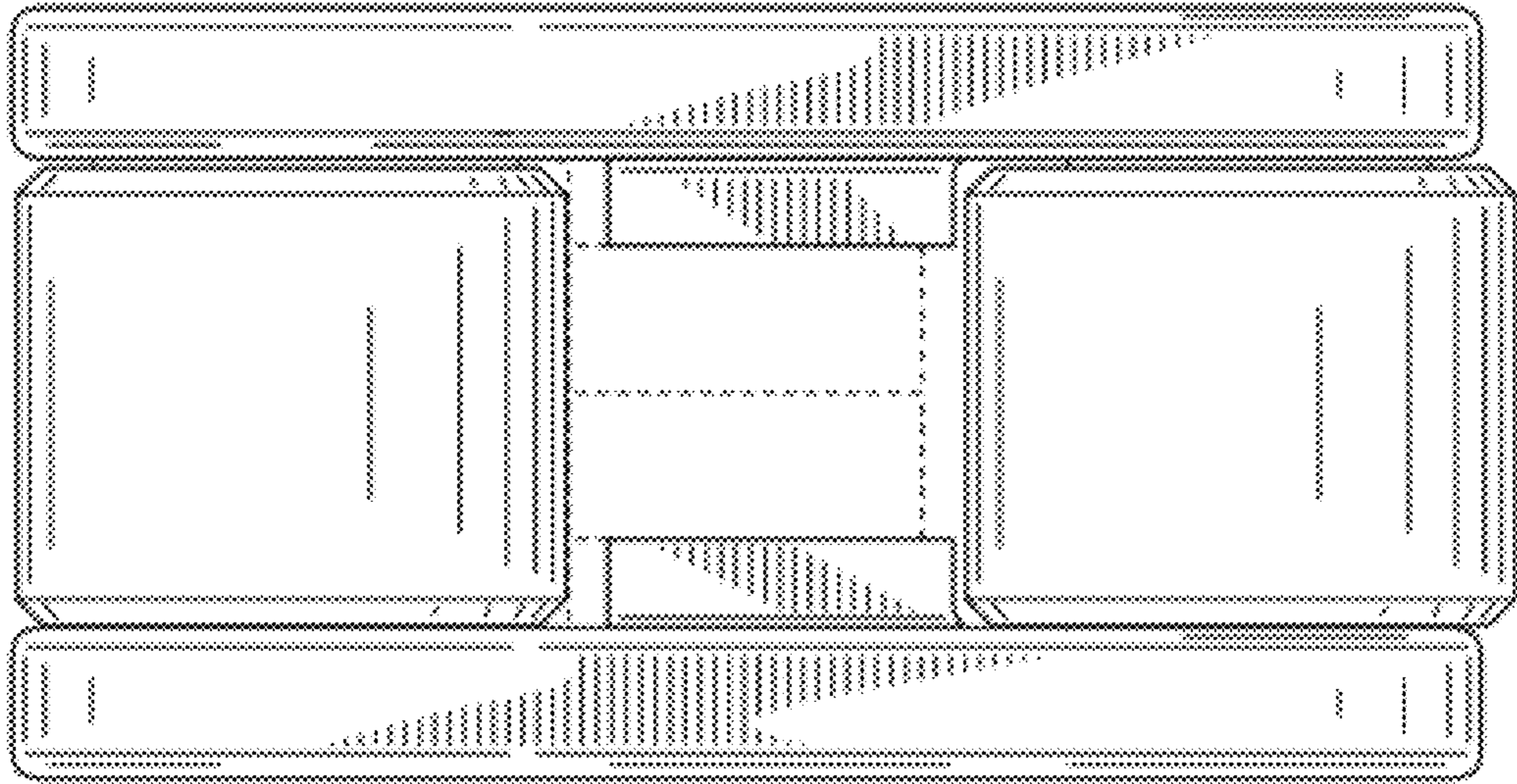


FIG. 6

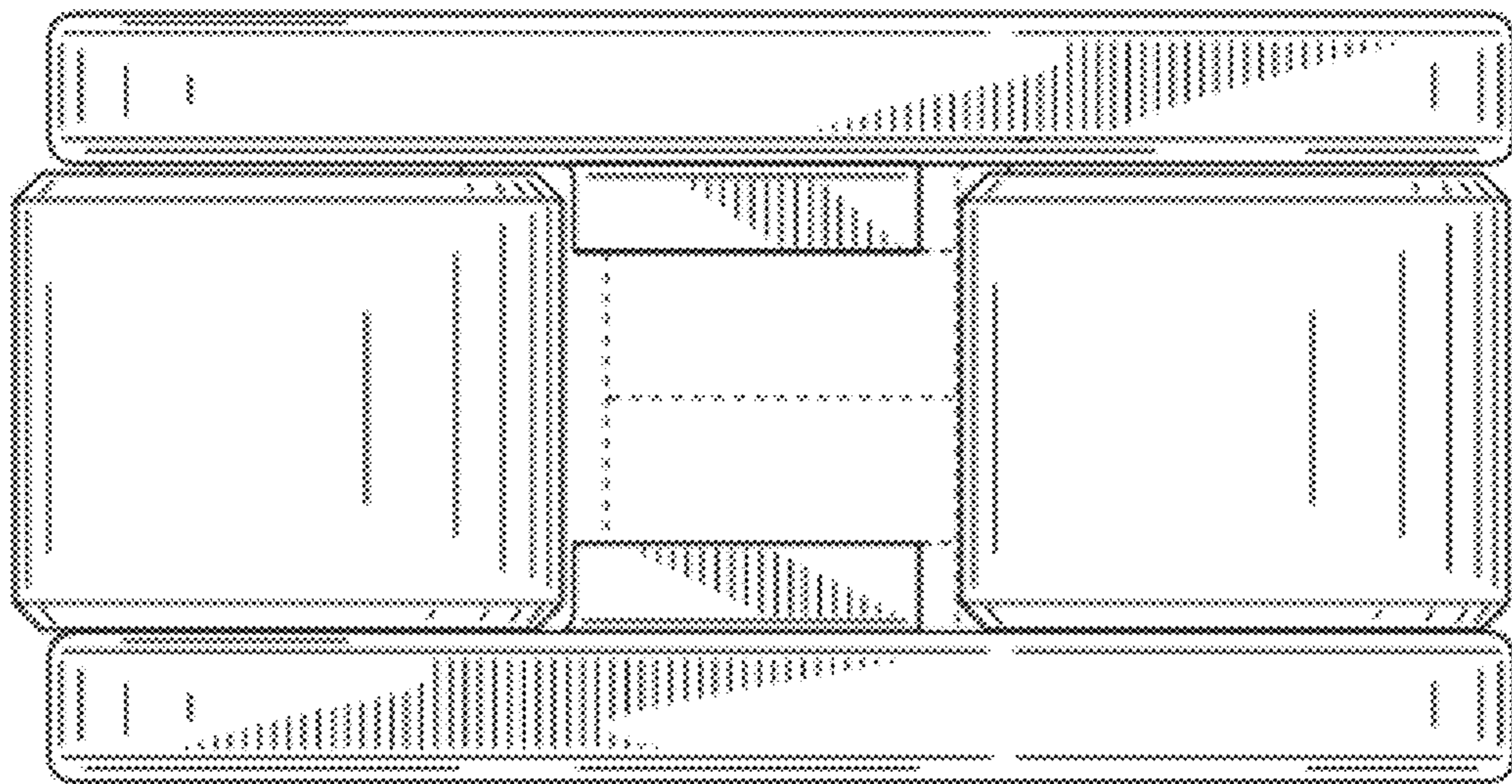


FIG. 7