



US00D668664S

(12) **United States Design Patent**  
**Zhou**

(10) **Patent No.:** **US D668,664 S**  
(45) **Date of Patent:** **\*\* Oct. 9, 2012**

(54) **FLASH DRIVE**

(75) Inventor: **Hai-Qing Zhou**, Shenzhen (CN)  
(73) Assignee: **Hon Hai Precision Industry Co., Ltd.**,  
Tu-Cheng, New Taipei (TW)

(\*\*) Term: **14 Years**

(21) Appl. No.: **29/402,397**

(22) Filed: **Sep. 23, 2011**

(51) **LOC (9) Cl.** ..... **14-02**

(52) **U.S. Cl.** ..... **D14/480.6**

(58) **Field of Classification Search** ..... D14/411,  
D14/433, 435, 435.1, 436-438, 480.1-480.7,  
D14/484.1, 137, 155, 203.1-203.8, 240;  
D13/133, 146-147, 154; 710/300, 301; 439/131,  
439/135-147; 361/679.31, 679.33, 679.4,  
361/752; 711/100, 115

See application file for complete search history.

(56) **References Cited**

**U.S. PATENT DOCUMENTS**

D487,458 S \* 3/2004 Gentil et al. .... D14/480.5  
D618,694 S \* 6/2010 Andre ..... D14/480.6  
7,918,391 B2 \* 4/2011 Clegg et al. .... 235/380  
D653,670 S \* 2/2012 Lee et al. .... D14/480.6  
2006/0208066 A1 \* 9/2006 Finn et al. .... 235/380

**OTHER PUBLICATIONS**

Concept USB by on Chan Lee, [online] posted Mar. 11, 2010  
[retrieved on Jul. 30, 2012]. Retrieved from the Internet <URL:  
[http://www.designlaunches.com/gadgets/concept\\_usb\\_by\\_on\\_](http://www.designlaunches.com/gadgets/concept_usb_by_on_chan_lee.php)  
[chan\\_lee.php](http://www.designlaunches.com/gadgets/concept_usb_by_on_chan_lee.php)>.\*

\* cited by examiner

*Primary Examiner* — Karen E Kearney

(74) *Attorney, Agent, or Firm* — Altis Law Group, Inc.

(57) **CLAIM**

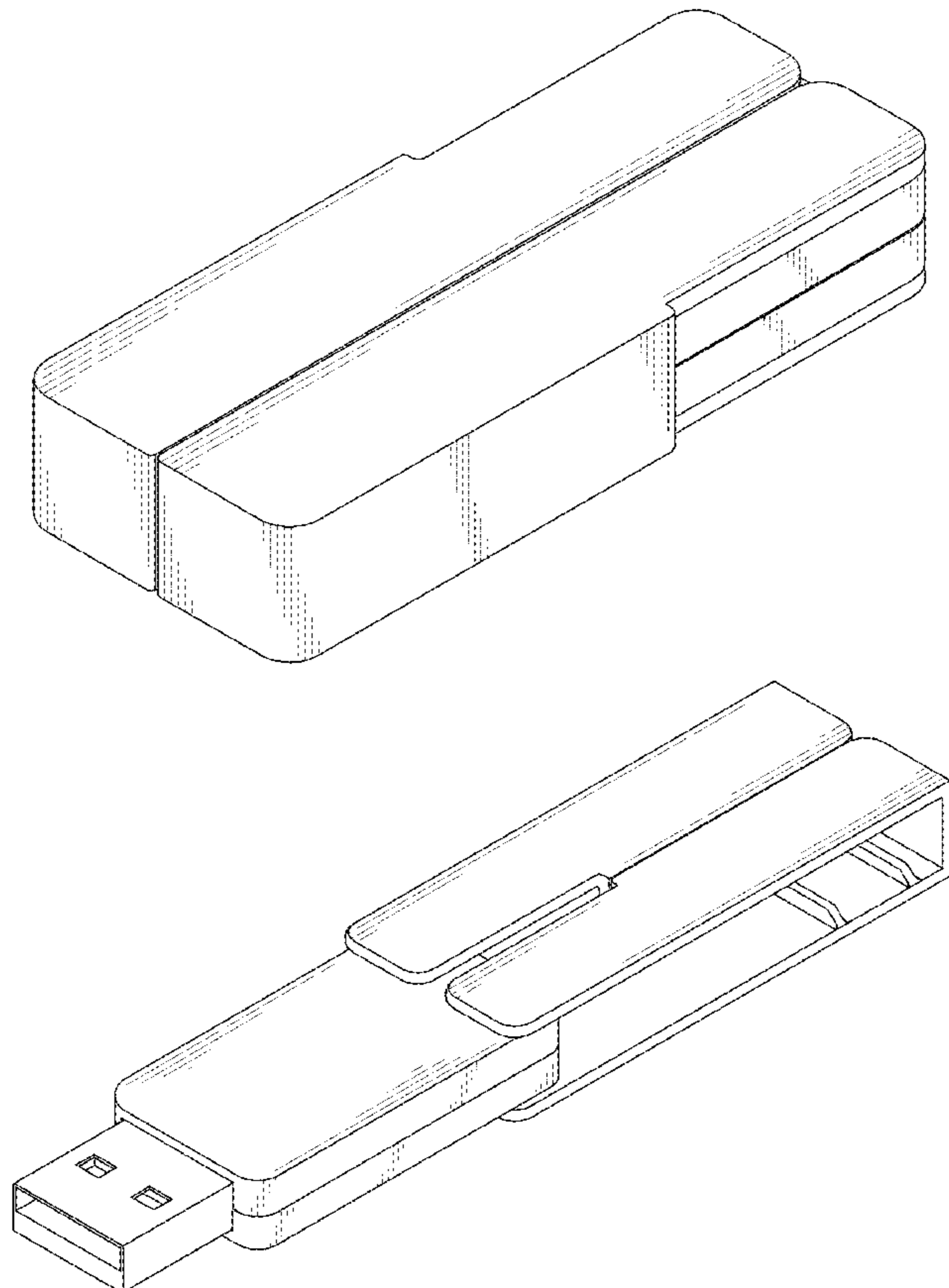
The ornamental design for a flash drive, as shown and described.

**DESCRIPTION**

FIG. 1 is a perspective view of a flash drive showing the petitioner's design;  
FIG. 2 is a front elevational view thereof;  
FIG. 3 is a rear elevational view thereof;  
FIG. 4 is a right-side, elevational view thereof;  
FIG. 5 is a top plan view thereof; and,  
FIG. 6 is a perspective view of FIG. 1, with a pair of shields rotated and exposing a plug.

The broken lines in the drawings are directed to environment and are for illustrative purposes only, and form no part of the claimed design.

**1 Claim, 6 Drawing Sheets**



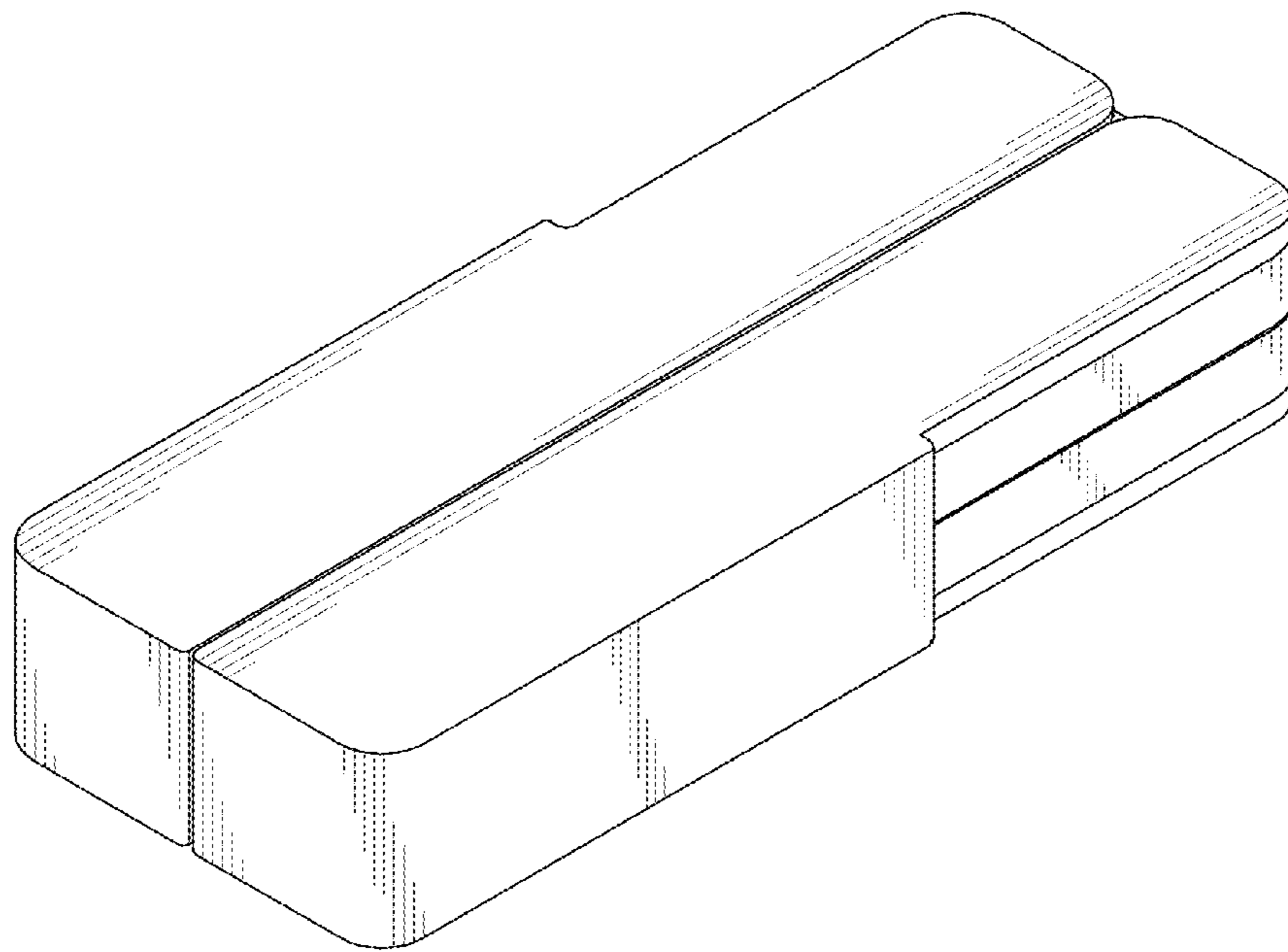


FIG. 1

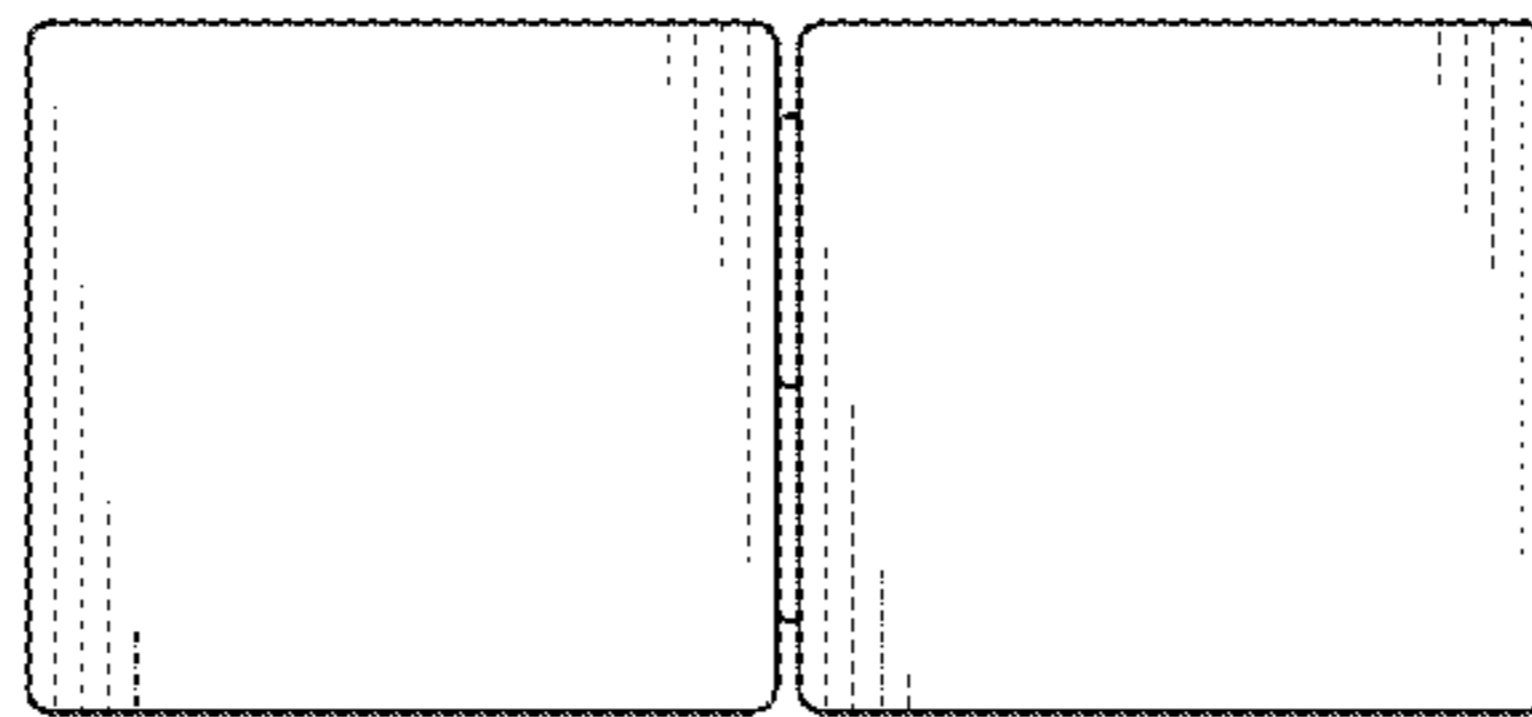


FIG. 2

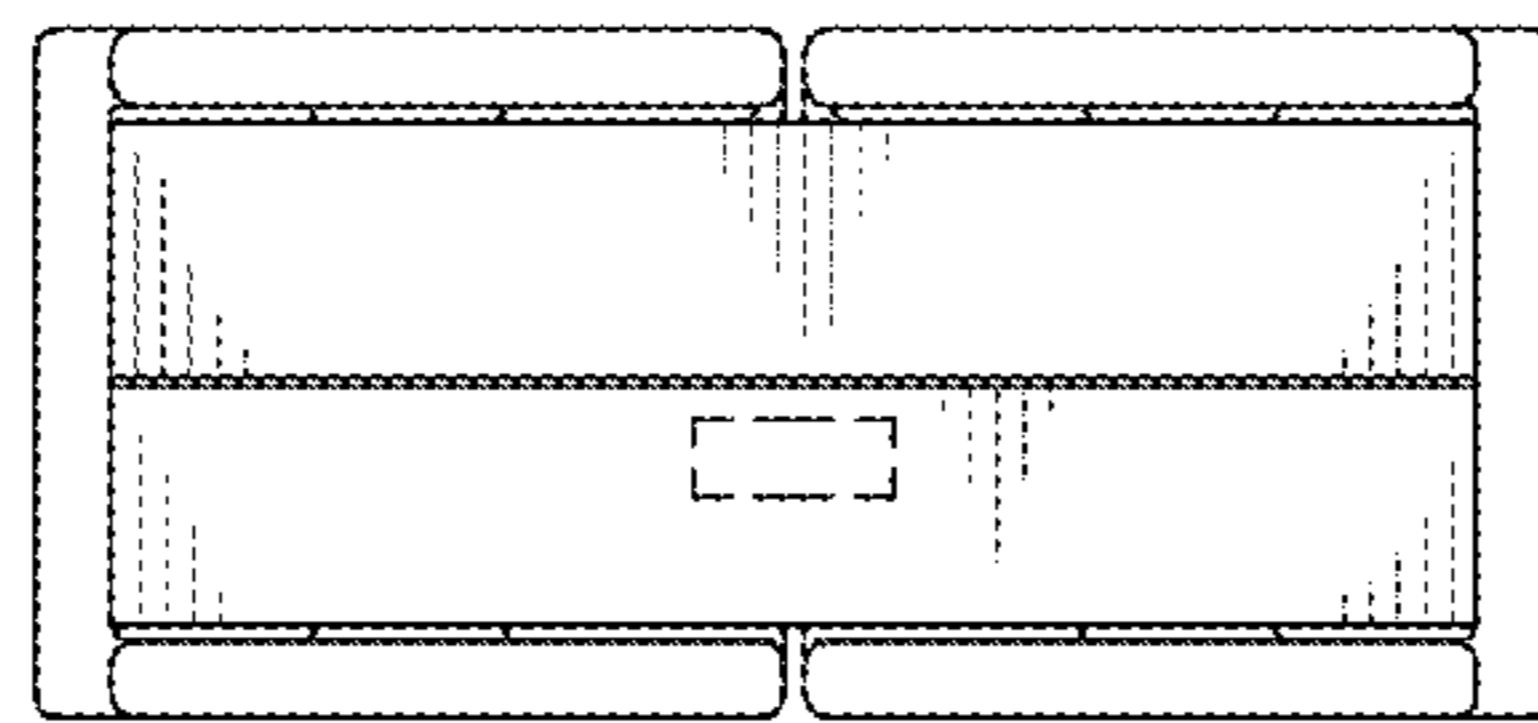


FIG. 3

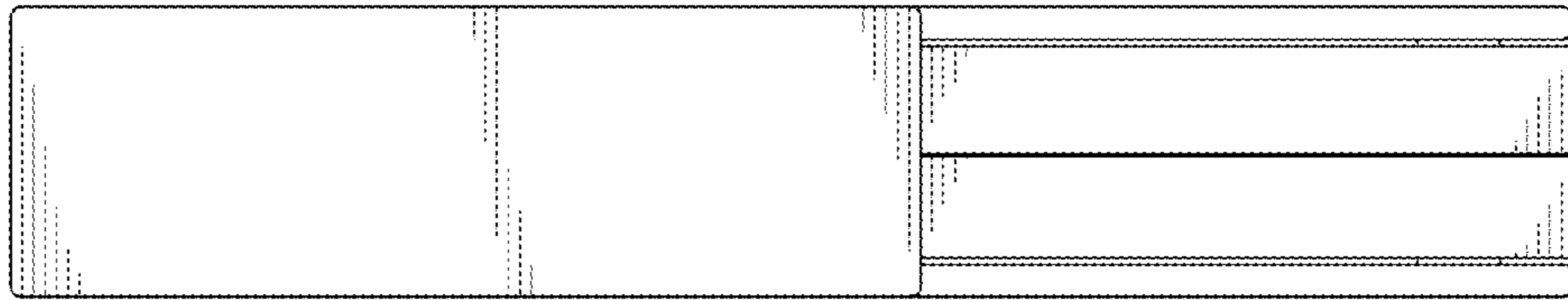


FIG. 4

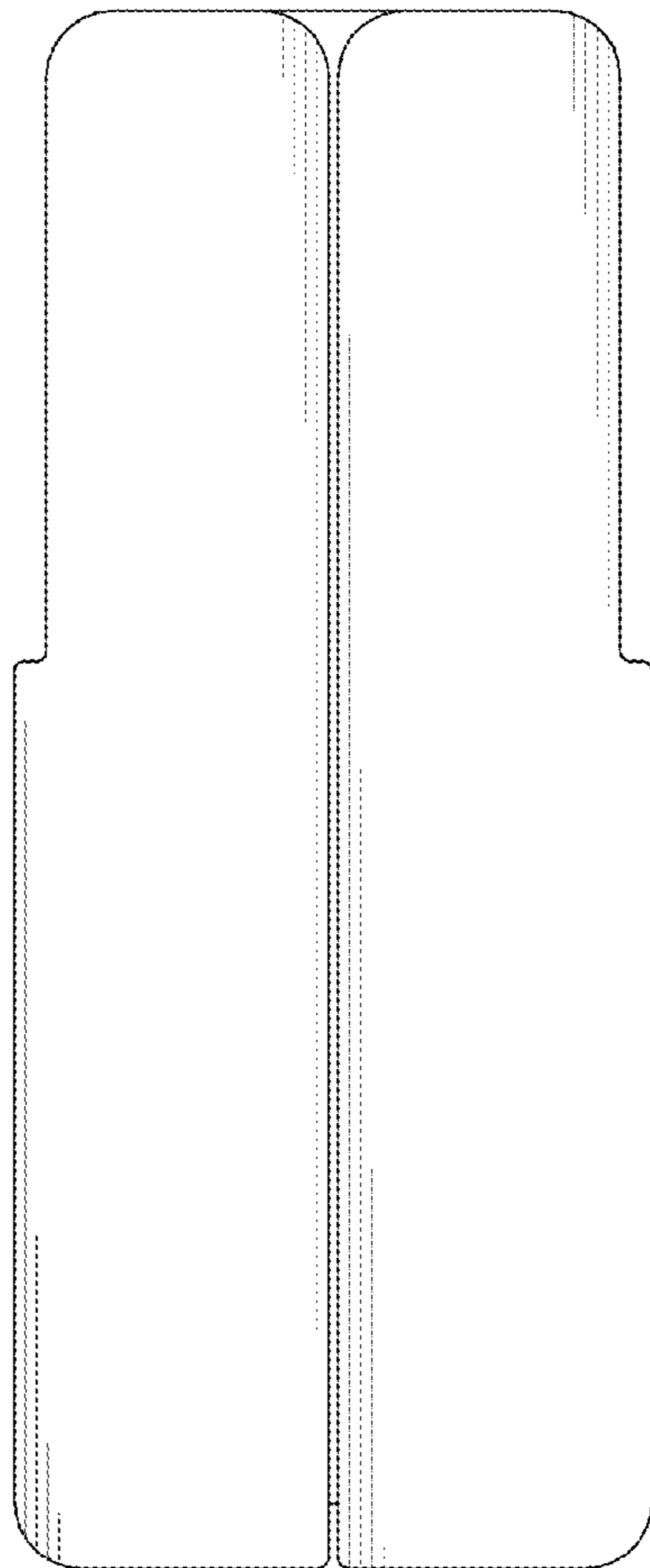


FIG. 5

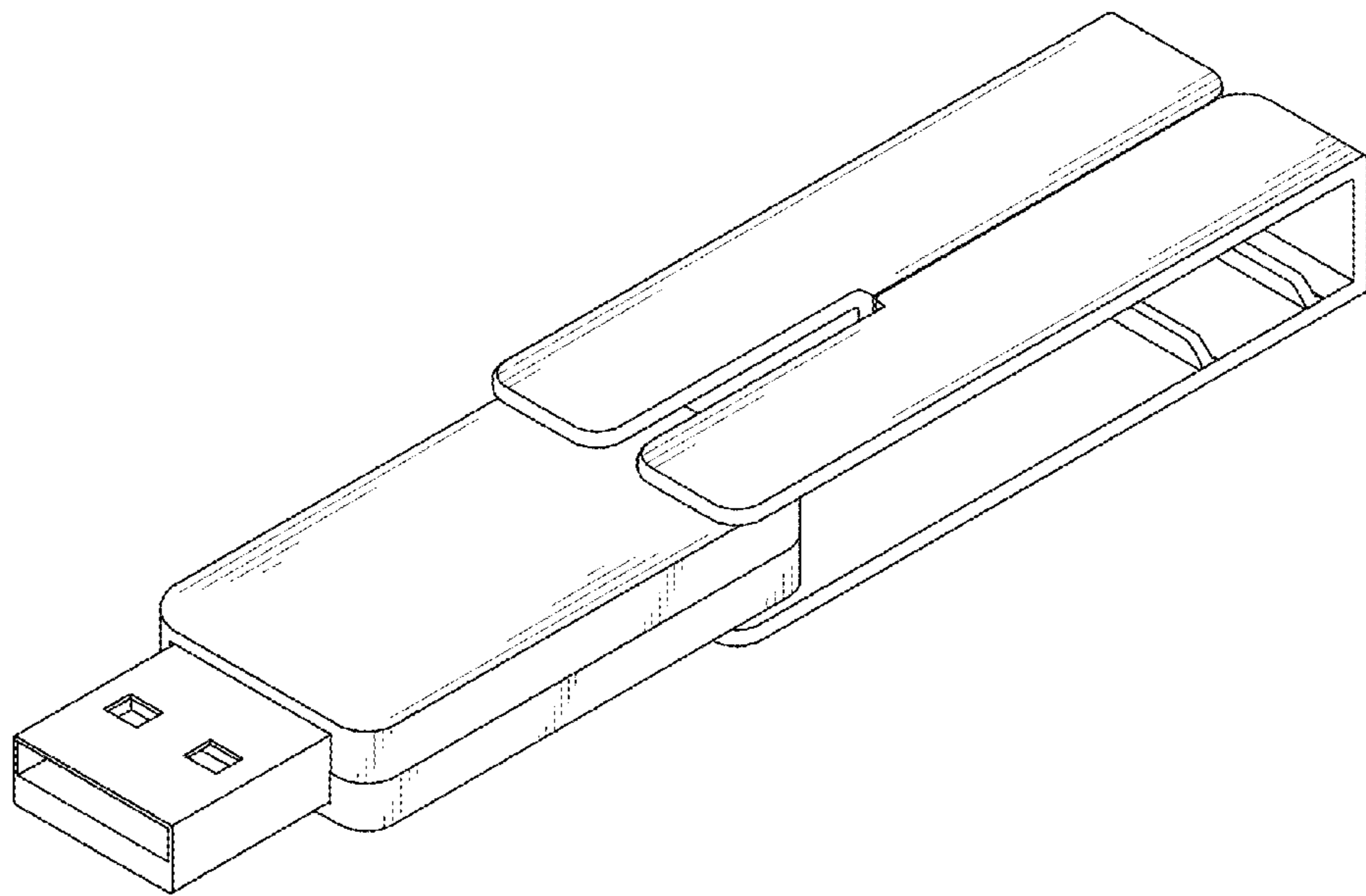


FIG. 6