



US00D668662S

(12) **United States Design Patent**  
**Suiter**

(10) **Patent No.:** **US D668,662 S**

(45) **Date of Patent:** **\*\* Oct. 9, 2012**

(54) **ELECTRONIC TABLET SUPPORT**

(76) **Inventor:** **James Patrick Suiter**, McCook, NE  
(US)

(\*\*) **Term:** **14 Years**

(21) **Appl. No.:** **29/399,947**

(22) **Filed:** **Aug. 22, 2011**

(51) **LOC (9) Cl.** ..... **08-07**

(52) **U.S. Cl.** ..... **D14/447**

(58) **Field of Classification Search** ..... D14/447,  
D14/432, 434, 433, 439, 440, 448, 451, 452,  
D14/457, 400, 401, 239, 217, 238.1, 250,  
D14/251, 252, 253; D21/333, 324, 325,  
D21/328, 329, 330, 331, 332; D13/107,  
D13/108; D6/310, 311, 312, 406.3, 406.4,  
D6/406.5, 419, 566; D8/363, 373, 376, 380,  
D8/381; 248/917-924, 441.1, 447, 451,  
248/459, 460, 462, 463, 121, 139, 151, 434,  
248/170, 176.1, 177.1, 281.11, 309.3, 346.5;  
361/379.02, 679.05, 679.06, 679.07, 679.09,  
361/679.1, 679.21, 679.22, 679.23, 679.25,  
361/679.26, 679.27, 679.3, 679.55, 679.56,  
361/679.29, 679.28; 379/455, 454; 312/223.3  
See application file for complete search history.

(56) **References Cited**

**U.S. PATENT DOCUMENTS**

D365,461 S	*	12/1995	Falter	.....	D6/406.4
D422,556 S	*	4/2000	Okura et al.	.....	D13/107
D453,155 S	*	1/2002	Michel	.....	D14/253
D574,375 S	*	8/2008	Prest et al.	.....	D14/253
D589,962 S	*	4/2009	Maruyama et al.	.....	D14/432
D603,840 S	*	11/2009	Lee et al.	.....	D14/217

D618,692 S	*	6/2010	Deutsch et al.	.....	D14/447
D623,188 S	*	9/2010	Son et al.	.....	D14/434
D636,395 S	*	4/2011	Anderson et al.	.....	D14/434
D637,601 S	*	5/2011	Symons	.....	D14/447
D642,121 S	*	7/2011	Lee et al.	.....	D13/108
D642,582 S	*	8/2011	Largy	.....	D14/447
D647,525 S	*	10/2011	Seto	.....	D14/434

**OTHER PUBLICATIONS**

drbakker, DIY wooden \$5 iPad Dock/Stand, Apr. 21, 2010, <http://www.instructables.com/id/DIY-wooden-5-iPad-Dock-Stand/>, viewed on Jan. 23, 2012.\*

\* cited by examiner

*Primary Examiner* — Angela J Lee

(74) *Attorney, Agent, or Firm* — Suiter Swantz pc llo

(57) **CLAIM**

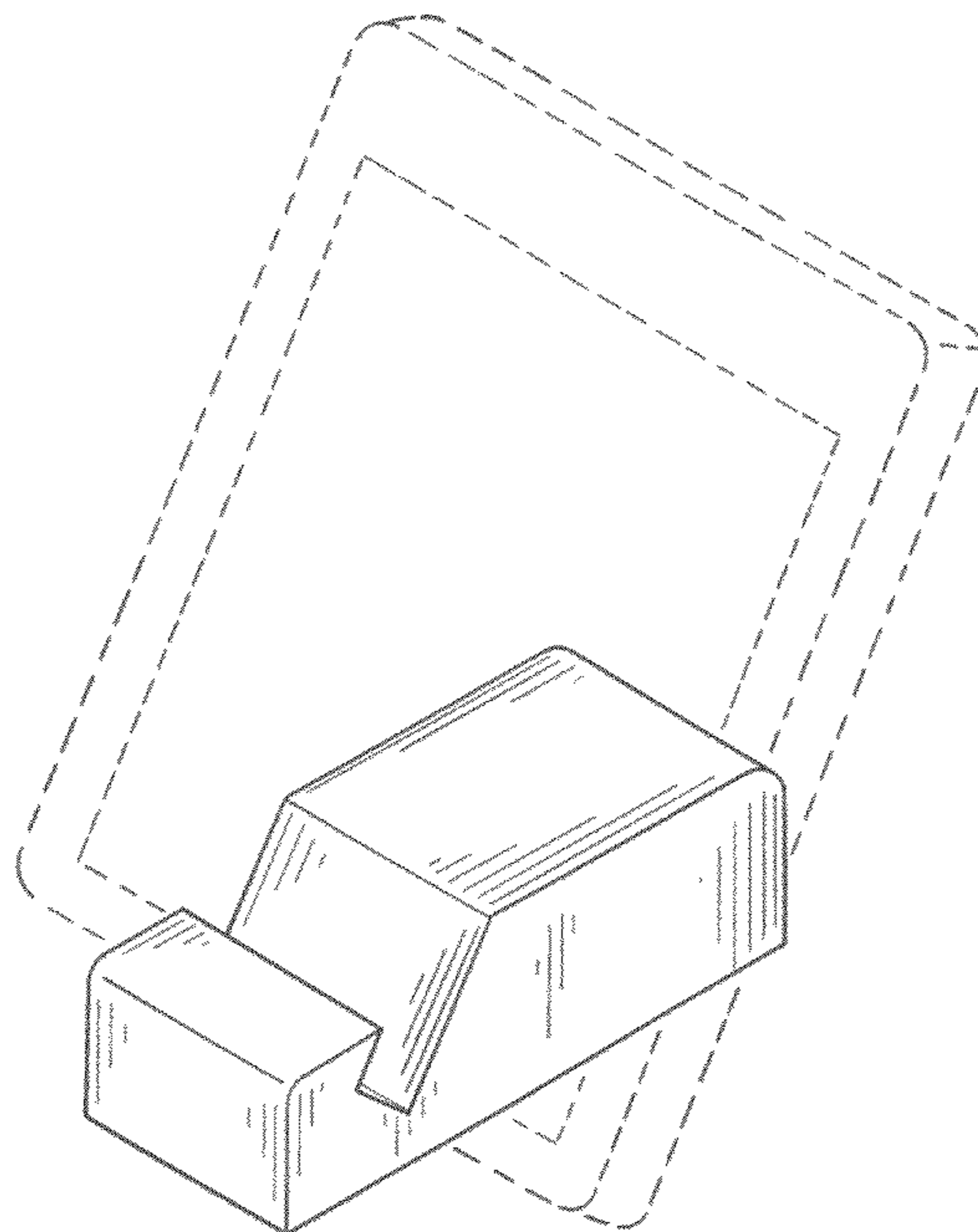
The ornamental design for the electronic tablet support, as shown and described.

**DESCRIPTION**

FIG. 1 is a perspective view of an electronic tablet support, showing the new design;  
FIG. 2 is a top plan view thereof;  
FIG. 3 is a front elevation view thereof;  
FIG. 4 is a first side elevation view thereof;  
FIG. 5 is a rear elevation view thereof;  
FIG. 6 is a second side elevation view thereof; and,  
FIG. 7 is a bottom plan view thereof.

The broken line showing of an electronic tablet is included for the purpose of illustrating environment and forms no part of the claimed design.

**1 Claim, 3 Drawing Sheets**



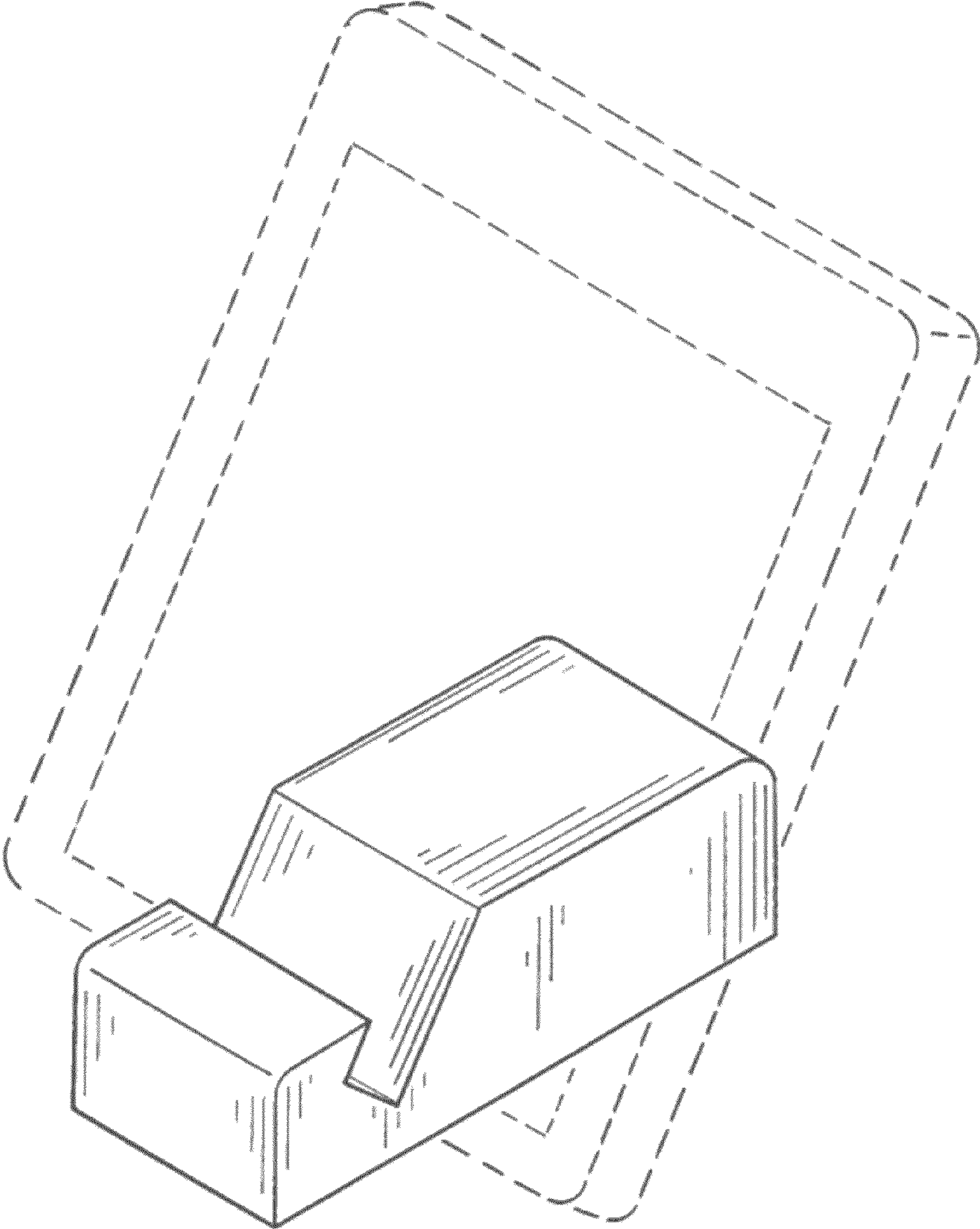


FIG. 1

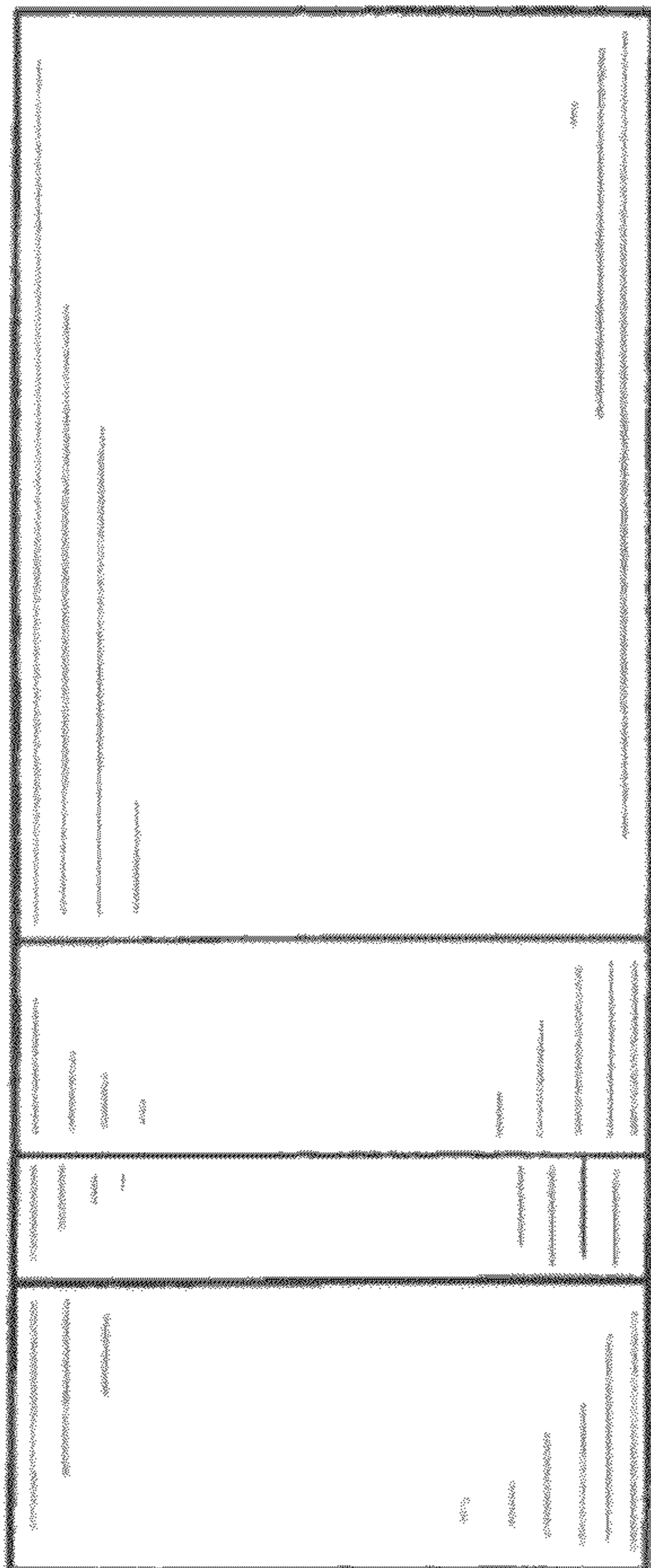


FIG. 2

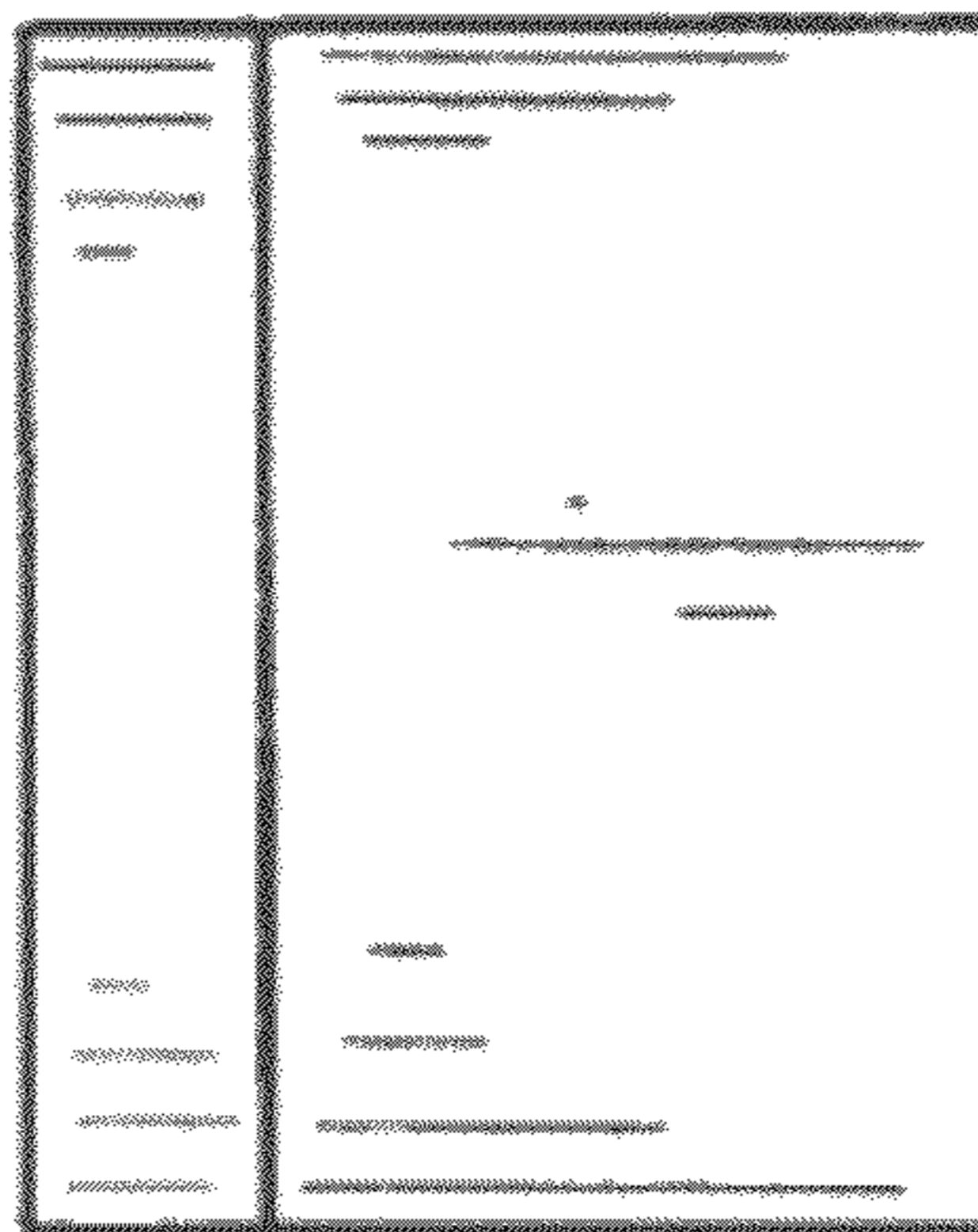


FIG. 3

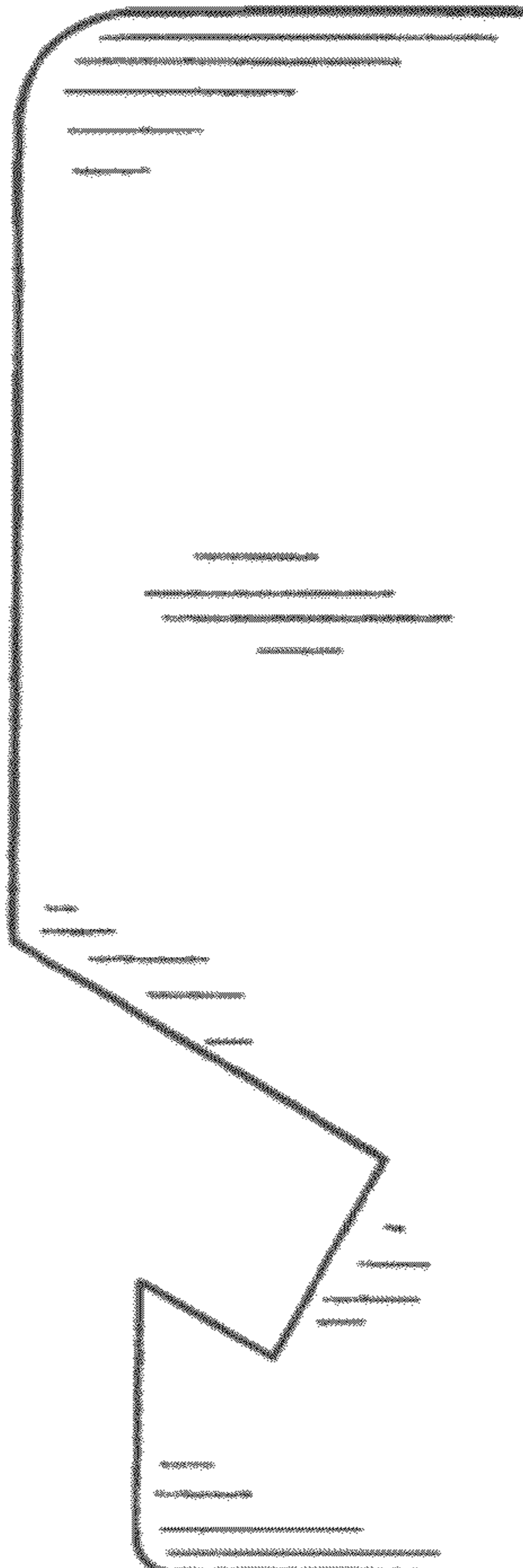


FIG. 4

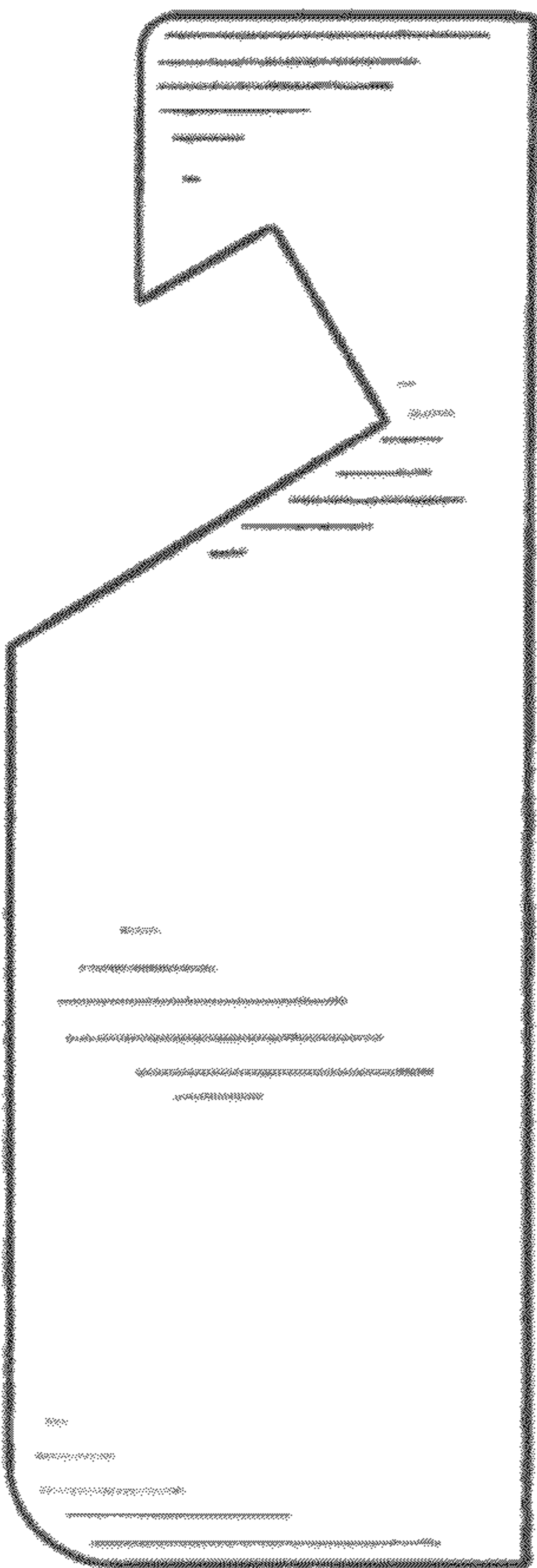


FIG. 5

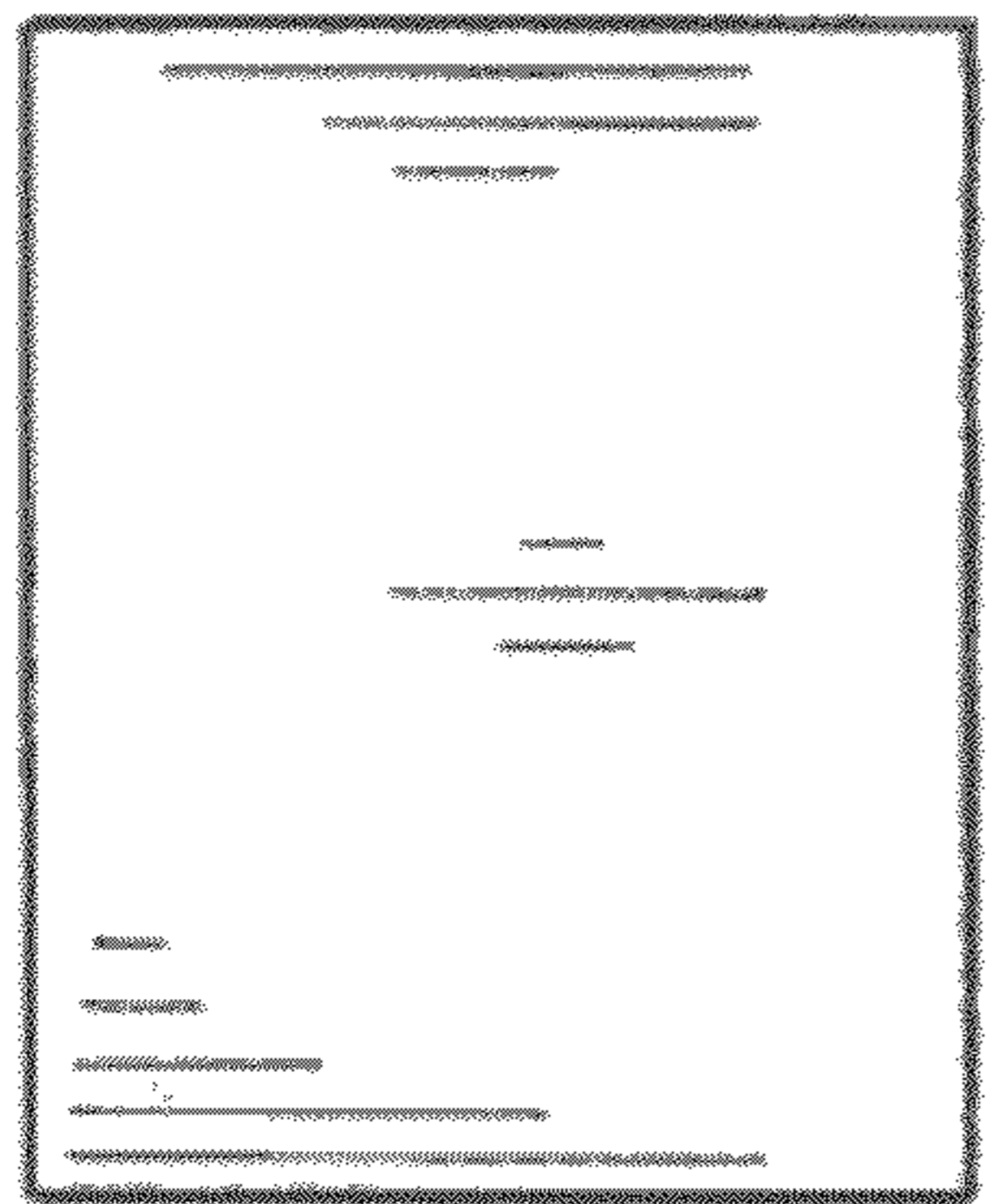


FIG. 6

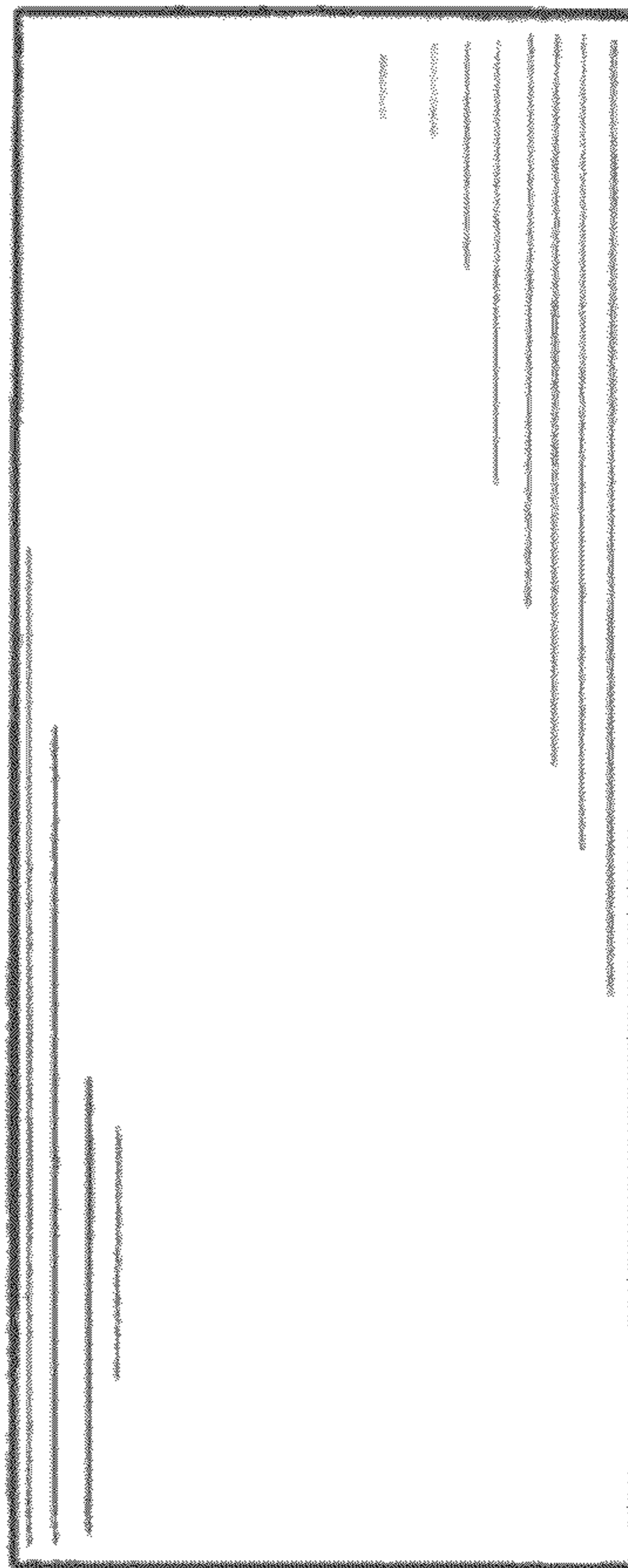


FIG. 7