



US00D668660S

(12) **United States Design Patent**
Norfolk

(10) **Patent No.:** **US D668,660 S**
(45) **Date of Patent:** **** Oct. 9, 2012**

(54) **PROTECTIVE COVER FOR TABLET
COMPUTER**

(76) Inventor: **Brian K. Norfolk**, Everett, WA (US)

(**) Term: **14 Years**

(21) Appl. No.: **29/391,604**

(22) Filed: **May 11, 2011**

(51) **LOC (9) Cl.** **14-02**

(52) **U.S. Cl.** **D14/440**

(58) **Field of Classification Search** D14/439,
D14/440, 345, 341-344, 346, 371, 125-129,
D14/327; 206/320, 576, 305, 215, 232, 524,
206/425, 472, 224, 312, 387.13, 307, 387.1,
206/756; D3/286, 283, 295, 273, 303, 247,
D3/215, 245, 232, 900, 249, 201, 276, 294,
D3/301; 224/929; 708/110; 190/109, 100,
190/119, 901; 361/683, 725, 681, 686, 679;
229/87.5, 67.1, 800; 220/522, 4.23; 345/169,
345/104, 156, 168, 173, 179, 672, 174; 150/147,
150/135; 402/2, 70-78, 500-502; 281/45,
281/38, 31, 29, 19.1, 34; D19/26, 27, 33,
D19/75, 86, 22, 90, 59, 60, 78, 83; D18/7;
383/97, 4, 110; 178/18.03, 18.01; 349/12;
428/332; D6/632, 407; 248/458

See application file for complete search history.

(56) **References Cited**

U.S. PATENT DOCUMENTS

D312,534	S	*	12/1990	Nelson et al.	D3/228
5,005,702	A	*	4/1991	Davis et al.	206/562
5,299,685	A	*	4/1994	Chin	206/320
5,360,108	A	*	11/1994	Alagia	206/320
5,368,159	A	*	11/1994	Doria	206/320
D357,918	S	*	5/1995	Doria	D14/218
D358,328	S	*	5/1995	Huerto et al.	D9/435
5,509,844	A	*	4/1996	Poirier et al.	446/71
5,570,780	A	*	11/1996	Miller	206/305
5,583,742	A	*	12/1996	Noda et al.	361/679.21
5,623,869	A	*	4/1997	Moss et al.	108/43
D389,816	S	*	1/1998	Horiki et al.	D14/318

5,775,497	A	*	7/1998	Krulik	206/320
D406,575	S	*	3/1999	Michael et al.	D14/366
D419,768	S	*	2/2000	Richardson et al.	D3/273
6,041,924	A	*	3/2000	Tajima	206/320
D423,772	S	*	5/2000	Cooper et al.	D3/218
D430,118	S	*	8/2000	Horiki et al.	D14/318
6,147,859	A	*	11/2000	Abboud	361/679.39
D436,596	S	*	1/2001	Ito et al.	D14/434
D445,791	S	*	7/2001	Ito et al.	D14/368
D448,564	S	*	10/2001	Snider	D3/282
6,301,103	B1	*	10/2001	Abboud	361/679.6
D451,919	S	*	12/2001	Abboud	D14/356
D454,429	S	*	3/2002	Hussaini et al.	D3/274
D456,398	S	*	4/2002	Horiki	D14/328
6,388,659	B2	*	5/2002	Myerson et al.	345/169
D462,954	S	*	9/2002	Chen	D14/299
6,527,241	B1	*	3/2003	Lord	248/346.01

(Continued)

OTHER PUBLICATIONS

“Active Field iPad Case,” Box Wave Corporation Web site (www.boxwave.com), May 2011.

(Continued)

Primary Examiner — Susan Moon Lee

(74) *Attorney, Agent, or Firm* — Graham & Dunn PC;
Kathleen T. Petrich

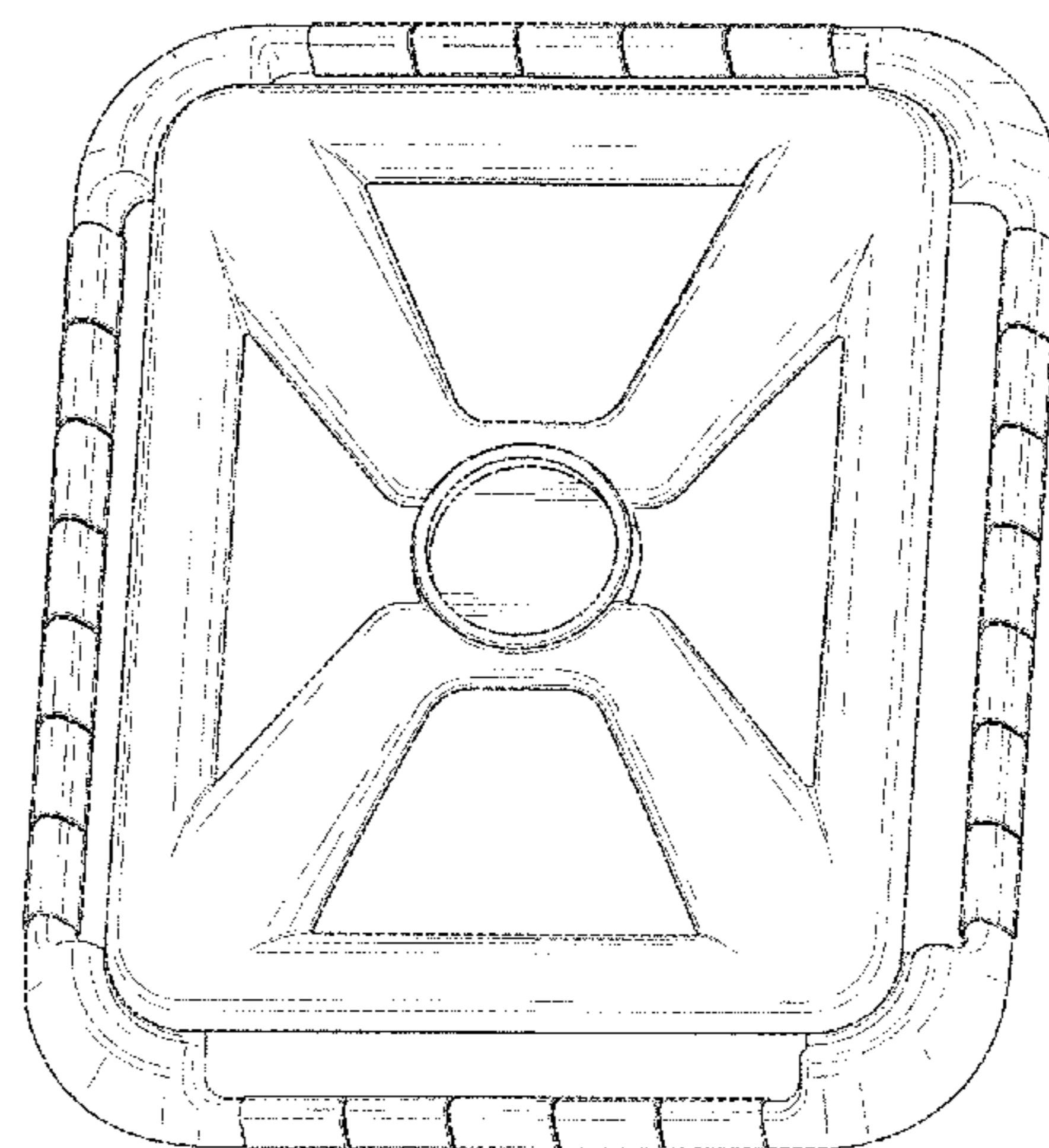
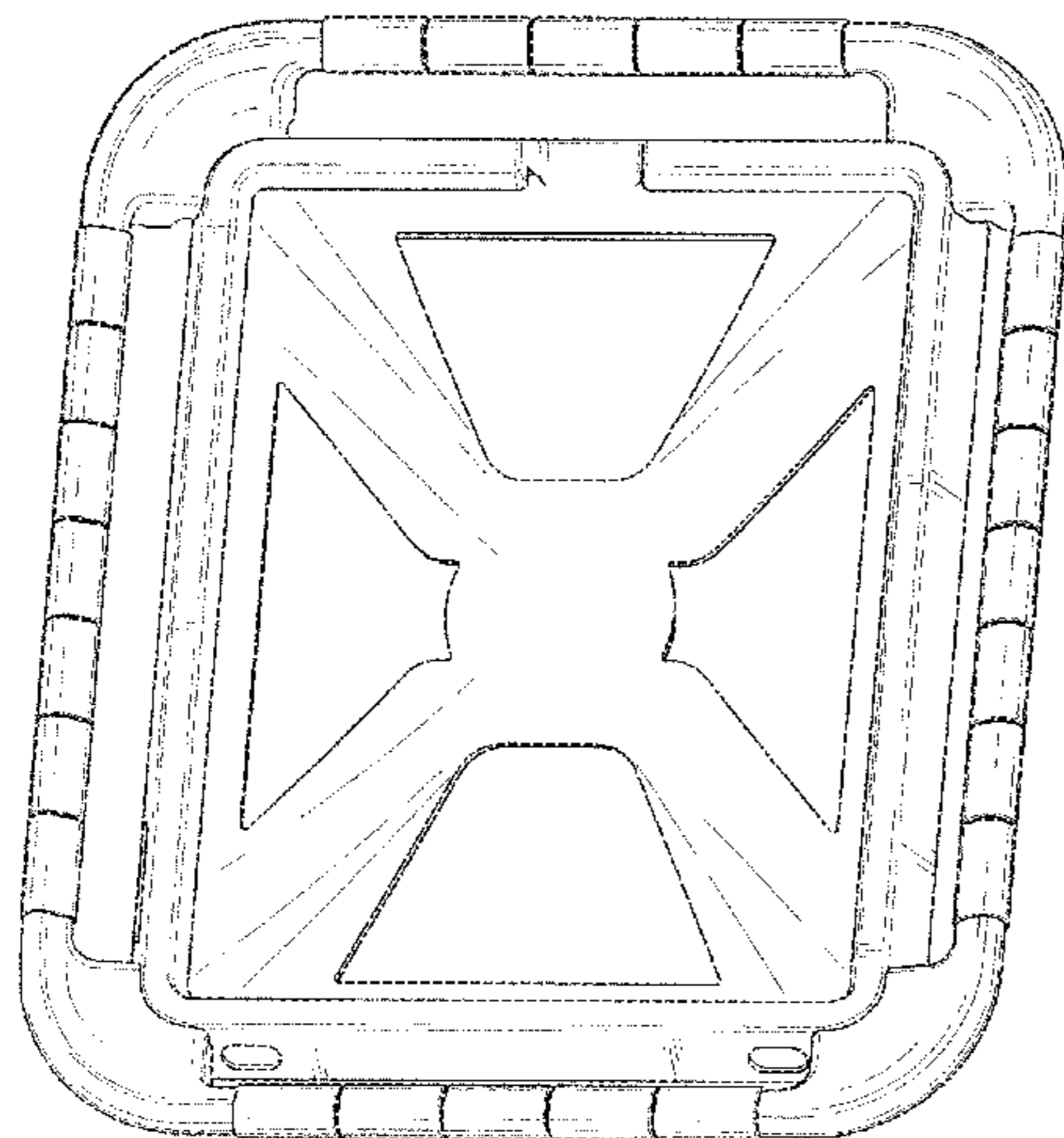
(57) **CLAIM**

I claim the ornamental design for a protective cover for tablet computer, as shown.

DESCRIPTION

FIG. 1 is a front perspective view of a protective cover for tablet computer;
FIG. 2 is a rear perspective view thereof;
FIG. 3 is a front view thereof;
FIG. 4 is a rear view thereof;
FIG. 5 is a right side elevation view thereof;
FIG. 6 is a left side elevation view thereof;
FIG. 7 is a top plan view thereof; and,
FIG. 8 is a bottom plan view thereof.

1 Claim, 3 Drawing Sheets



US D668,660 S

Page 2

U.S. PATENT DOCUMENTS

D473,562	S *	4/2003	Russell	D14/447
D473,563	S *	4/2003	Russell	D14/447
6,568,650	B2 *	5/2003	Helmetsie et al.	248/678
6,616,111	B1 *	9/2003	White	248/309.1
D485,276	S *	1/2004	Chien	D14/441
D493,169	S *	7/2004	Cheng	D14/357
D501,007	S *	1/2005	Heng	D14/341
D504,472	S *	4/2005	Liu et al.	D21/324
D514,123	S *	1/2006	Naruki et al.	D14/203.3
D515,089	S *	2/2006	Ho	D14/365
D516,309	S *	3/2006	Richardson et al.	D3/273
D516,553	S *	3/2006	Richardson et al.	D14/341
D516,807	S *	3/2006	Richardson et al.	D3/273
D518,640	S *	4/2006	Hoofnagle	D3/321
7,025,274	B2 *	4/2006	Solomon et al.	235/472.01
7,035,100	B2 *	4/2006	Lord	361/679.41
D525,240	S *	7/2006	Hales et al.	D14/240
7,121,214	B1 *	10/2006	Toltzman et al.	108/43
D531,802	S *	11/2006	Zimmerman	D3/302
7,161,799	B2	1/2007	Lim et al.		
D537,441	S *	2/2007	Bruker	D14/341
7,180,735	B2 *	2/2007	Thomas et al.	361/679.56
D538,801	S *	3/2007	Taylor	D14/341
D543,357	S *	5/2007	Corcoran	D3/276
D543,700	S *	6/2007	Parker et al.	D3/294
7,230,823	B2 *	6/2007	Richardson et al.	361/679.25
7,256,996	B2 *	8/2007	Egbert et al.	361/695
D551,846	S *	10/2007	Ko et al.	D3/201
D551,847	S *	10/2007	Yeap et al.	D3/201
D554,135	S *	10/2007	Lim et al.	D14/447
7,293,649	B2 *	11/2007	Gelphman et al.	206/320
D557,897	S *	12/2007	Richardson et al.	D3/294
7,312,984	B2 *	12/2007	Richardson et al.	361/679.41
D558,754	S *	1/2008	Takemasa et al.	D14/328
D558,771	S *	1/2008	Derry et al.	D14/447
D558,772	S *	1/2008	Derry et al.	D14/447
D558,773	S *	1/2008	Derry et al.	D14/447
D565,561	S *	4/2008	Kaneshiro	D14/315
D565,563	S *	4/2008	Kaneshiro et al.	D14/315
D566,111	S *	4/2008	Nakagawa	D14/315
7,359,184	B2 *	4/2008	Lord	361/679.55
D572,479	S *	7/2008	Buck et al.	D3/282
D572,480	S *	7/2008	Buck et al.	D3/294
D574,615	S *	8/2008	Picot et al.	D3/289
D579,202	S *	10/2008	Grenier et al.	D3/294
D581,151	S *	11/2008	Aipa	D3/201
D584,733	S *	1/2009	Dearborn et al.	D14/439
D586,798	S *	2/2009	Tanaka et al.	D14/315
D587,273	S *	2/2009	Sculler et al.	D14/451
7,495,895	B2 *	2/2009	Carnevali	361/679.26
7,536,960	B1 *	5/2009	Perez et al.	108/43
D593,319	S *	6/2009	Richardson et al.	D3/218
D594,009	S *	6/2009	Nakano et al.	D14/439
D598,197	S *	8/2009	Ahlstrom	D3/323
D599,346	S *	9/2009	Thia et al.	D14/356
7,594,576	B2 *	9/2009	Chen et al.	206/320
7,609,512	B2 *	10/2009	Richardson et al.	361/679.41
D605,850	S *	12/2009	Richardson et al.	D3/218
D609,276	S *	2/2010	Axel et al.	D19/86
D612,827	S *	3/2010	Song et al.	D14/138 AB
D619,139	S *	7/2010	Ho	D14/447
D623,638	S *	9/2010	Richardson et al.	D14/250
D623,639	S *	9/2010	Richardson et al.	D14/250
D623,644	S *	9/2010	Hsu et al.	D14/315
D623,646	S *	9/2010	Peng	D14/324
D623,647	S *	9/2010	Hsu	D14/324
D623,648	S *	9/2010	Hsu et al.	D14/324
D624,067	S *	9/2010	Peng	D14/315
D624,069	S *	9/2010	Peng et al.	D14/324
D624,540	S *	9/2010	Tai	D14/356
7,800,896	B2 *	9/2010	Takizawa	361/679.41
D626,123	S *	10/2010	Peng	D14/324
D628,566	S *	12/2010	Molter	D14/239
D632,804	S *	2/2011	Afasano	D25/48.3
D633,090	S *	2/2011	Andre et al.	D14/341
7,886,903	B1 *	2/2011	Wurzelbacher et al.	206/320
D633,504	S *	3/2011	Alexander, Jr.	D14/447
D634,313	S *	3/2011	Fitzpatrick et al.	D14/250
D634,741	S *	3/2011	Richardson et al.	D14/250
D634,781	S *	3/2011	Hertrich, Jr.	D19/26
7,907,394	B2 *	3/2011	Richardson et al.	361/679.3
7,909,161	B2 *	3/2011	Sween et al.	206/320
D638,254	S *	5/2011	Barber	D7/354
D638,412	S *	5/2011	Lee	D14/250
D638,414	S *	5/2011	Magness et al.	D14/250
D640,679	S *	6/2011	Willes et al.	D14/250
D640,707	S *	6/2011	Yeh	D14/447
D641,610	S *	7/2011	Sedalo	D8/354
D641,692	S *	7/2011	Wharram	D13/102
D641,756	S *	7/2011	Hsieh et al.	D14/440
D642,579	S *	8/2011	Deutsch et al.	D14/440
D643,423	S *	8/2011	Smith et al.	D14/250
D643,433	S *	8/2011	Hsieh et al.	D14/440
D643,843	S *	8/2011	Hsieh et al.	D14/440
D647,303	S *	10/2011	Mish et al.	D3/294
D647,526	S *	10/2011	Vandiver et al.	D14/440
D651,606	S *	1/2012	Luijben	D14/447
D652,825	S *	1/2012	Bau	D14/238.1
D657,782	S *	4/2012	Biller	D14/250
D660,305	S *	5/2012	Ho et al.	D14/447
2002/0085342	A1 *	7/2002	Chen et al.	361/683
2003/0001064	A1 *	1/2003	Book	248/460
2003/0080264	A1 *	5/2003	Helmetsie et al.	248/205.2
2003/0217940	A1 *	11/2003	Russell et al.	206/320
2003/0222149	A1 *	12/2003	Solomon et al.	235/472.01
2003/0223184	A1 *	12/2003	Nakamura	361/679
2004/0112776	A1 *	6/2004	Lord	206/320
2004/0264126	A1 *	12/2004	Wells	361/687
2006/0042996	A1 *	3/2006	Picot et al.	206/586
2006/0044288	A1 *	3/2006	Nakamura et al.	345/179
2006/0104021	A1 *	5/2006	Chen et al.	361/683
2006/0279924	A1 *	12/2006	Richardson et al.	361/683
2007/0158220	A1 *	7/2007	Cleereman et al.	206/320
2008/0084396	A1 *	4/2008	Pen	345/168
2008/0099646	A1 *	5/2008	Kobara et al.	248/309.1
2008/0202958	A1 *	8/2008	Hanlen et al.	206/320
2008/0308437	A1 *	12/2008	Lin	206/320
2009/0009945	A1 *	1/2009	Johnson et al.	361/681
2009/0080153	A1 *	3/2009	Richardson et al.	361/679.56
2009/0111543	A1 *	4/2009	Tai et al.	455/575.8
2010/0008028	A1 *	1/2010	Richardson et al.	361/679.01
2010/0203931	A1 *	8/2010	Hynecek et al.	455/575.8
2010/0224519	A1 *	9/2010	Kao	206/320
2010/0240427	A1 *	9/2010	Lee	455/575.8
2010/0300909	A1 *	12/2010	Hung	206/320
2011/0299241	A1 *	12/2011	Chen	361/679.55
2011/0310553	A1 *	12/2011	Hsiao	361/679.55

OTHER PUBLICATIONS

“iPad Travel BodySuit,” Box Wave Corporation Web site (www.boxwave.com), May 2011.
 “Xpad,” Edova Innovations, LLC Web site (www.Xpad4Laptop.com), May 2011.
 “Muvn iPad 1 Case,” Roundplay, LLC Web site (www.gomuvn.com), May 2011.

* cited by examiner

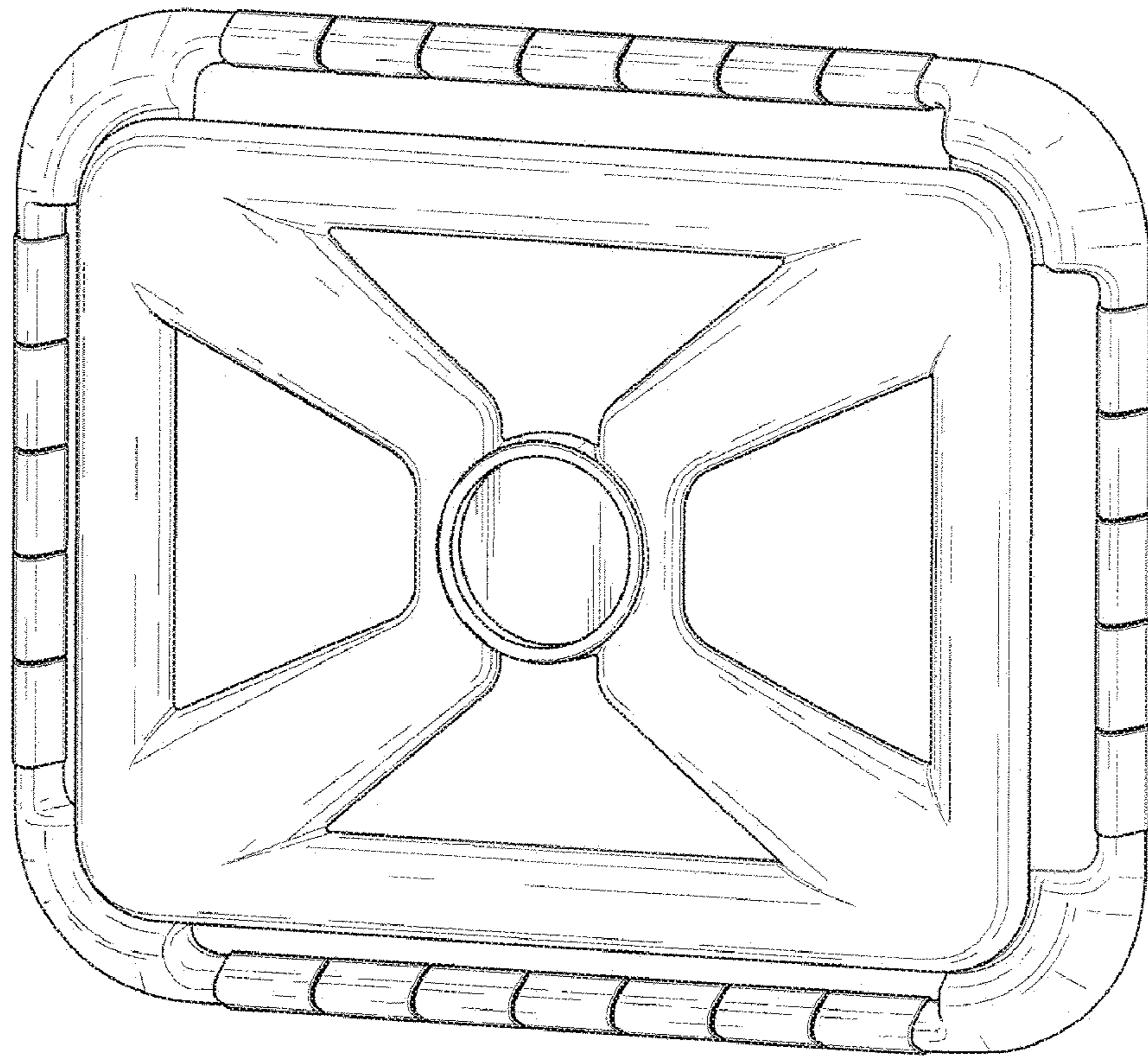


Fig. 2

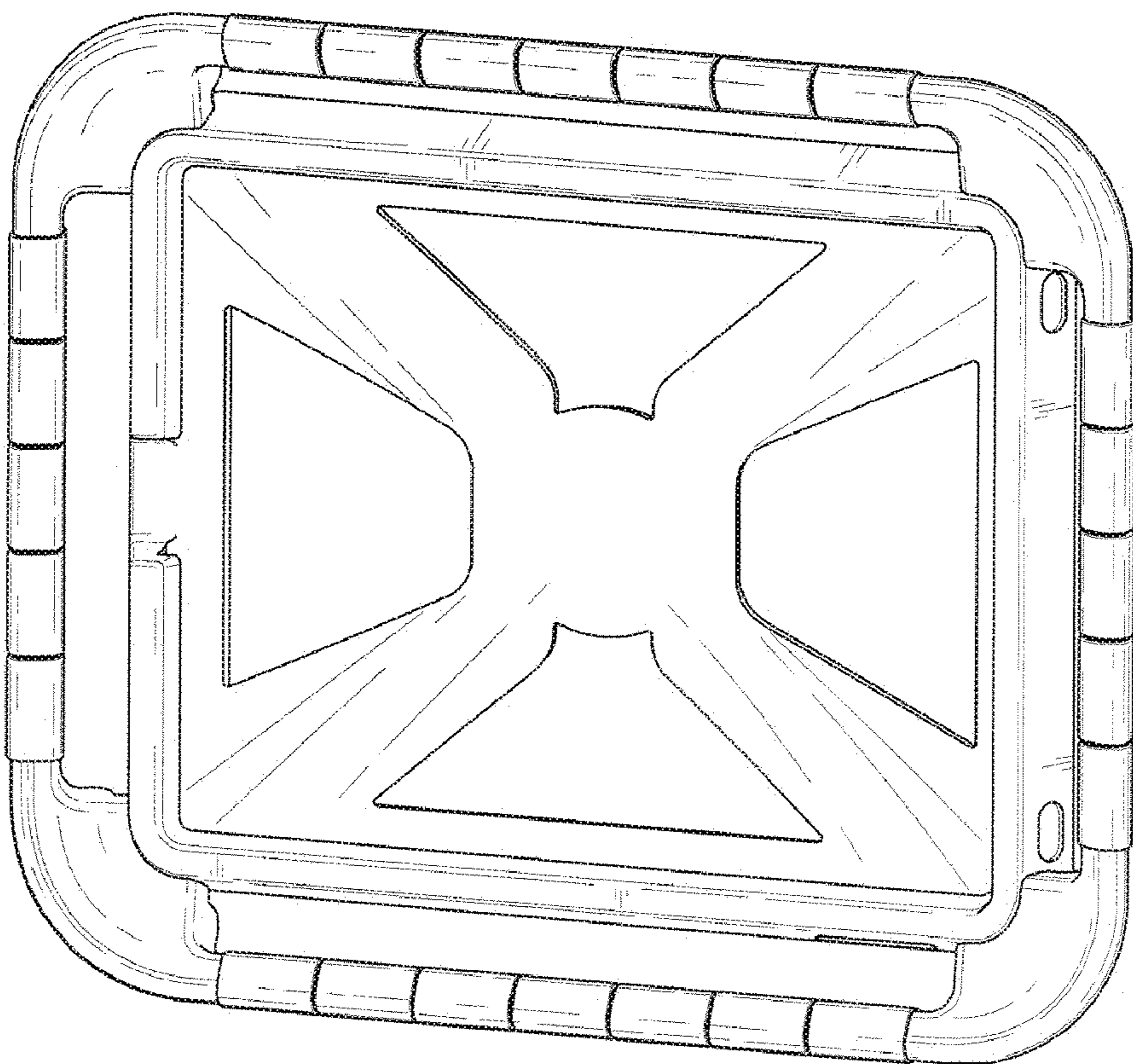


Fig. 1

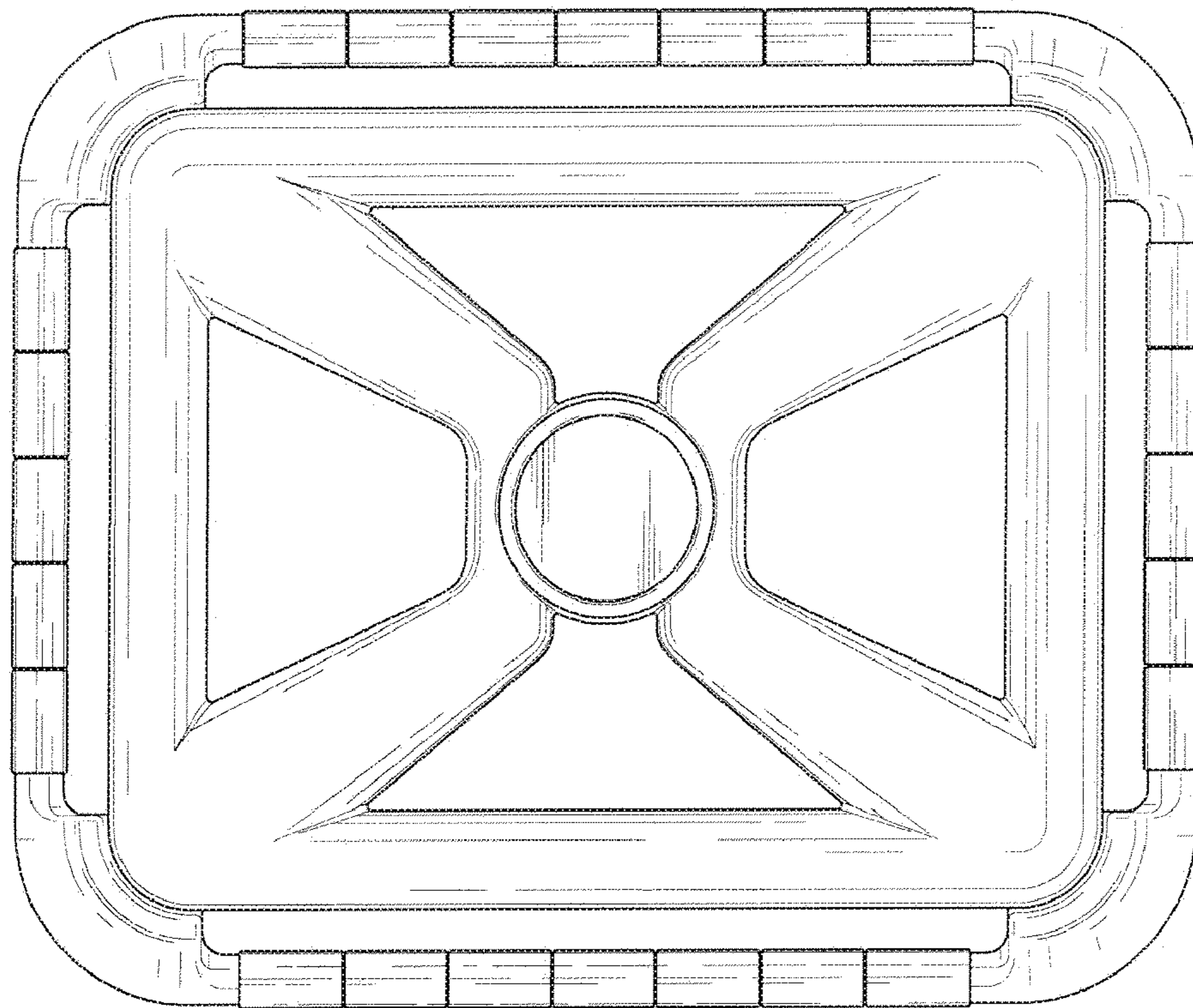


Fig. 4

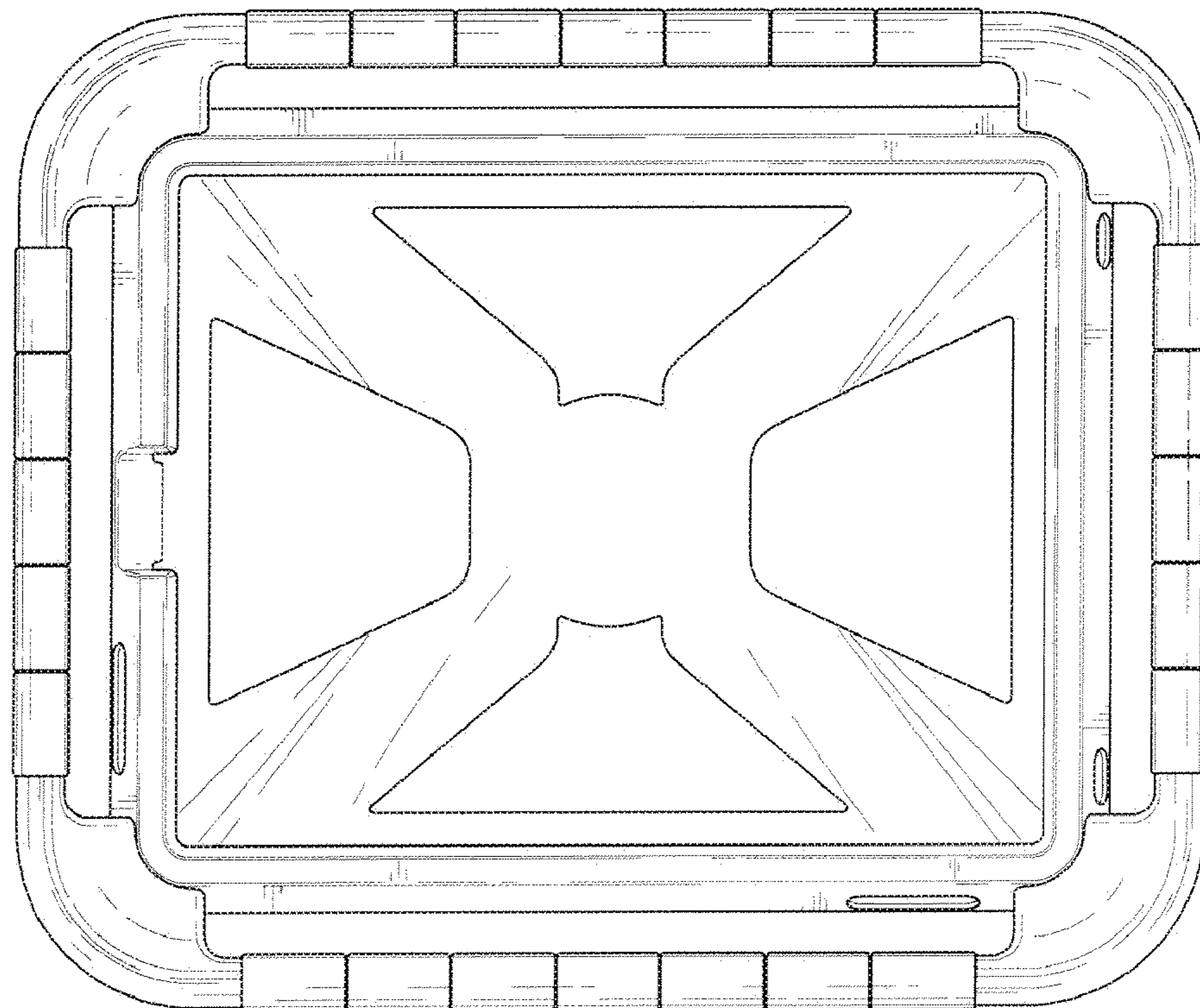


Fig. 3

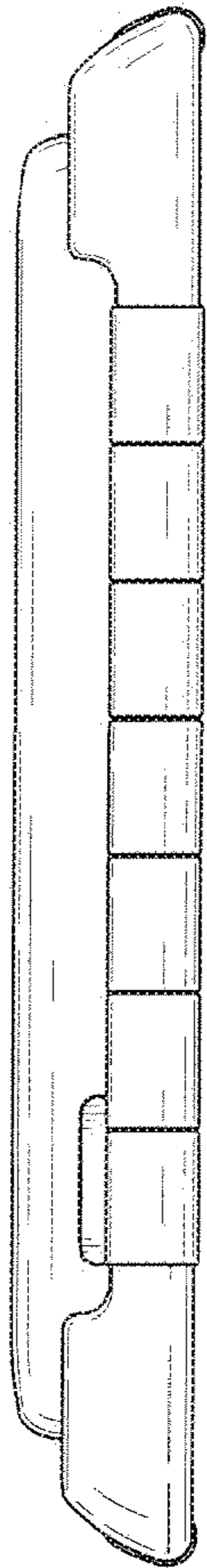


Fig. 5

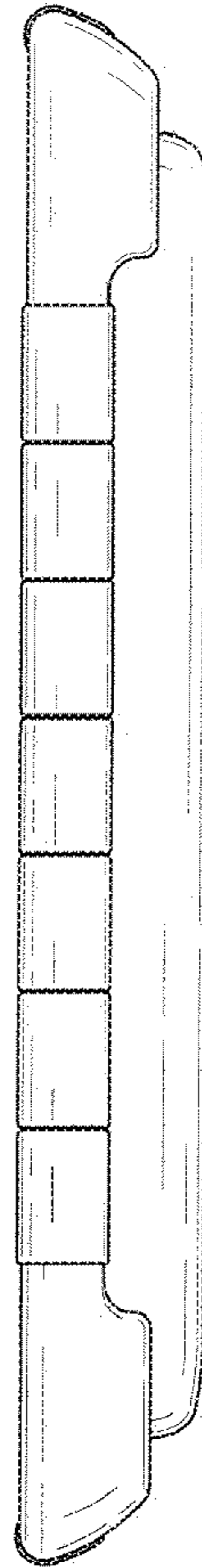


Fig. 6

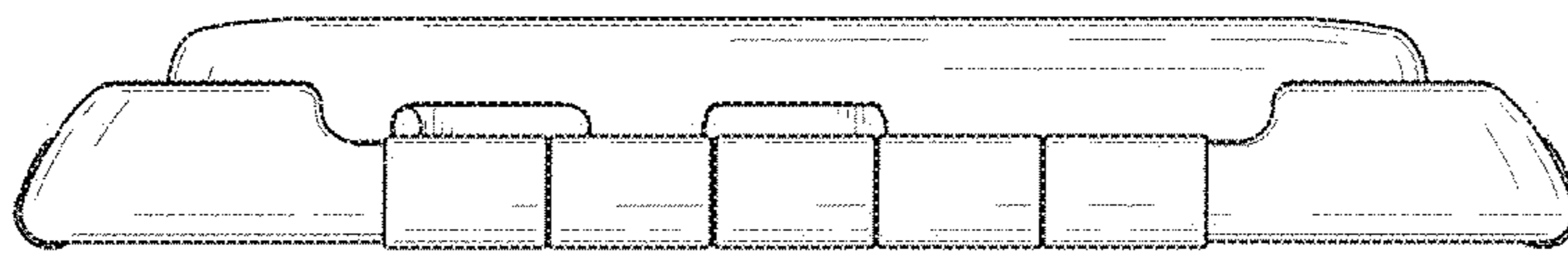


Fig. 7

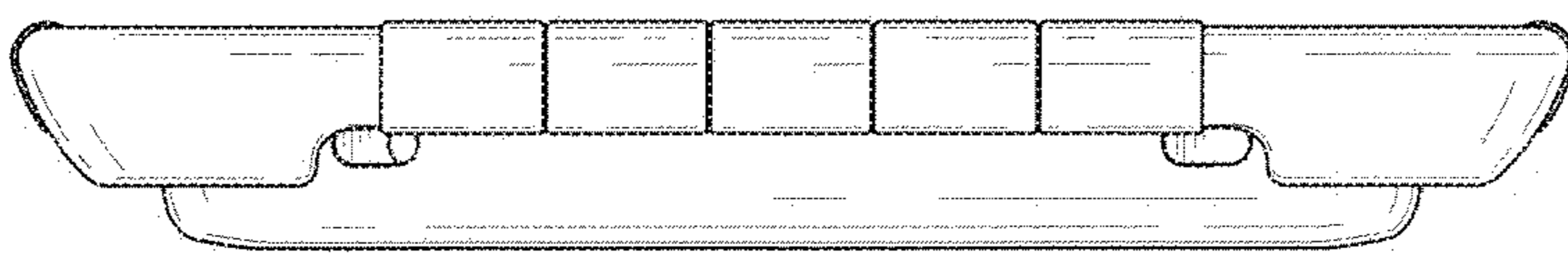


Fig. 8