



US00D668657S

(12) **United States Design Patent**  
**Wesolek**

(10) **Patent No.:** **US D668,657 S**

(45) **Date of Patent:** **\*\* Oct. 9, 2012**

- (54) **TABLET COMPUTER CRADLE**
- (75) Inventor: **Bryan J. Wesolek**, Chesterton, IN (US)
- (73) Assignee: **Data Ltd., Inc.**, LaPorte, IN (US)
- (\*\*) Term: **14 Years**
- (21) Appl. No.: **29/369,014**
- (22) Filed: **Sep. 1, 2010**
- (51) **LOC (9) Cl.** ..... **14-02**
- (52) **U.S. Cl.** ..... **D14/434**
- (58) **Field of Classification Search** ..... D14/432-434,  
D14/314, 204, 420, 421, 447, 217, 358, 371,  
D14/374, 375; D13/107, 108, 146; D8/373;  
248/346.03, 176.1; 361/679.41, 679.31,  
361/679.32, 679.4, 679.43, 679.55; 320/109,  
320/112-115

See application file for complete search history.

(56) **References Cited**

**U.S. PATENT DOCUMENTS**

5,408,382 A	4/1995	Schultz et al.	
D359,483 S	6/1995	Saunders et al.	
5,544,010 A	8/1996	Schultz et al.	
D377,790 S	2/1997	Ober et al.	
D378,519 S	3/1997	Ober et al.	
5,637,856 A	6/1997	Bridgelall et al.	
5,742,475 A	4/1998	Riddiford	
5,763,865 A	6/1998	Swift et al.	
D396,033 S	7/1998	Ahearn et al.	
D397,085 S	8/1998	Blase	
5,805,474 A	9/1998	Danielson et al.	
5,828,052 A	10/1998	Reynolds et al.	
D405,256 S	2/1999	Chacon et al.	
D406,581 S	3/1999	Bhatia et al.	
5,886,338 A	3/1999	Arackellian et al.	
5,933,812 A	8/1999	Meyer et al.	
D415,742 S *	10/1999	Kolls ..... D14/434	
5,979,764 A	11/1999	Swyst et al.	
D418,500 S	1/2000	Giordano et al.	
D419,548 S	1/2000	Jones et al.	

6,042,414 A	3/2000	Kunert	
6,049,813 A	4/2000	Danielson et al.	
6,102,266 A	8/2000	Chacon et al.	
6,149,062 A	11/2000	Danielson et al.	
6,149,063 A	11/2000	Reynolds et al.	
6,158,662 A	12/2000	Kahn et al.	
6,216,951 B1	4/2001	Swift et al.	
D442,141 S *	5/2001	Ikenaga ..... D13/107	
6,266,685 B1	7/2001	Danielson et al.	
6,394,355 B1	5/2002	Schlieffers et al.	

(Continued)

*Primary Examiner* — Freda S Nunn

(74) *Attorney, Agent, or Firm* — Barnes & Thornburg LLP

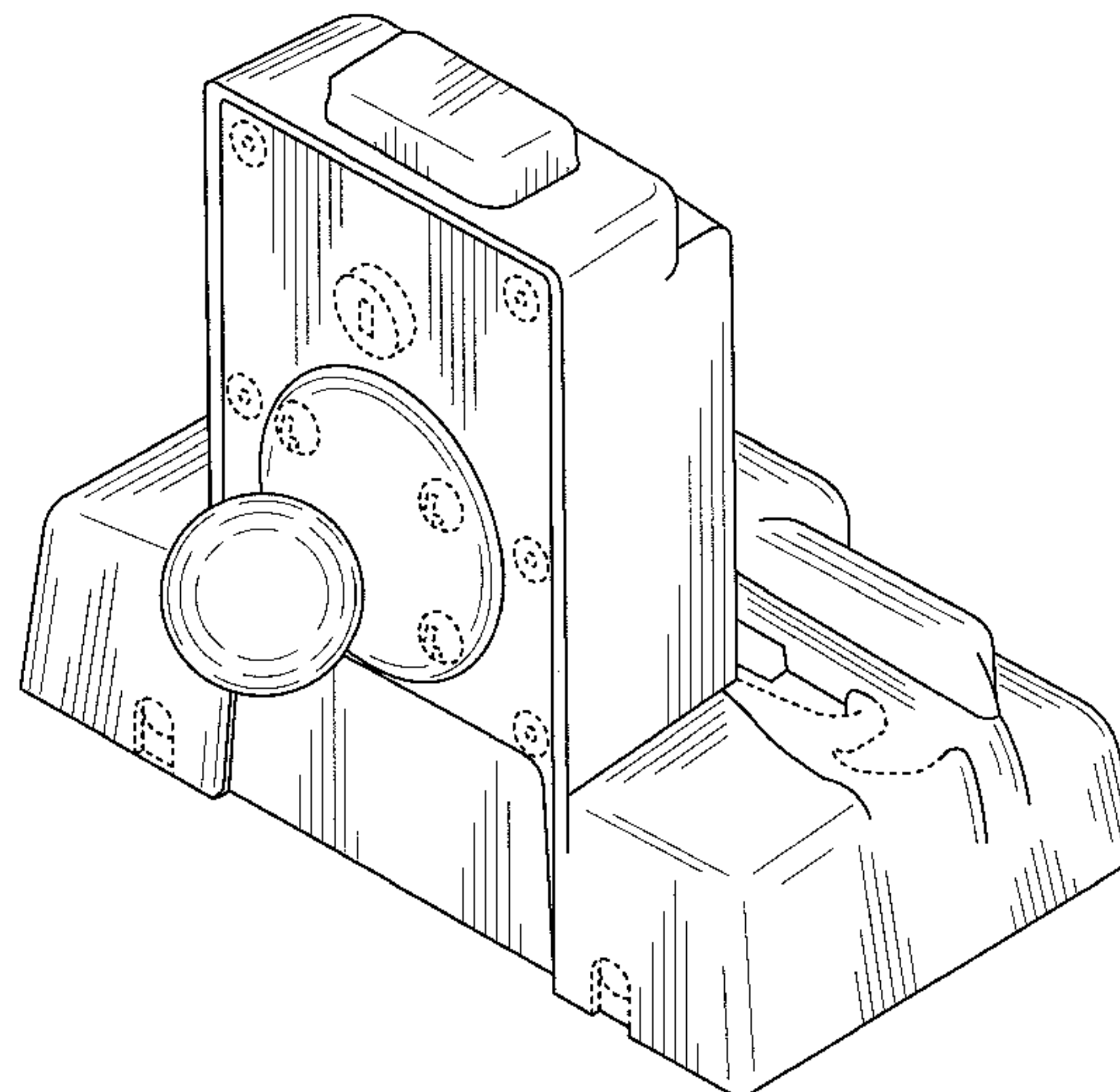
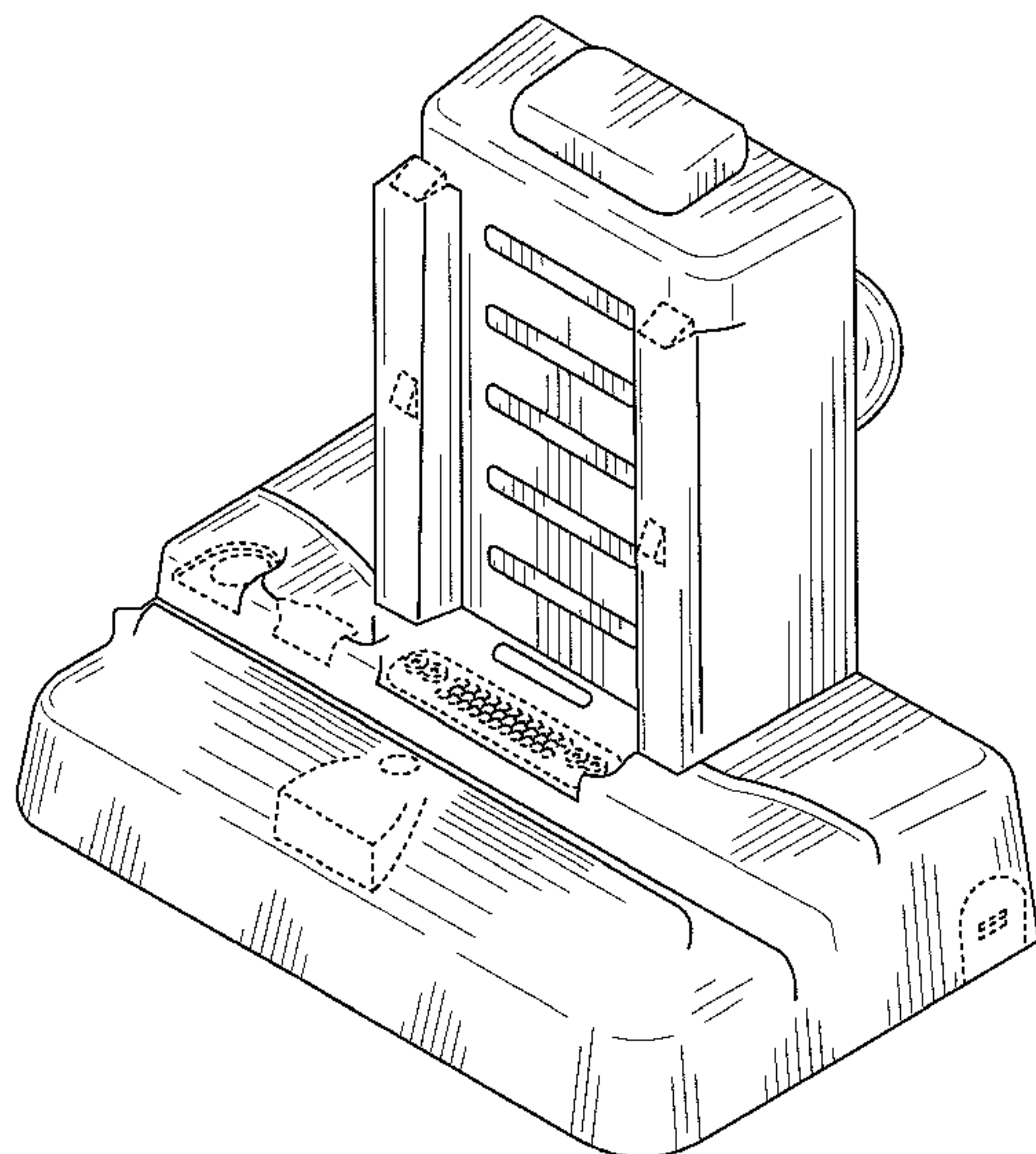
(57) **CLAIM**

I claim the ornamental design for the tablet computer cradle, as shown and described.

**DESCRIPTION**

FIG. 1 is a front perspective view of a tablet computer cradle representing an embodiment of the present invention; FIG. 2 is a rear perspective view of the tablet computer cradle depicted in FIG. 1; FIG. 3 is a front elevational view of the tablet computer cradle depicted in FIG. 1; FIG. 4 is a left elevational side view of the tablet computer cradle depicted in FIG. 1; FIG. 5 is a right elevational side view of the tablet computer cradle depicted in FIG. 1; FIG. 6 is a rear elevational view of the tablet computer cradle depicted in FIG. 1; FIG. 7 is a top plain view of the tablet computer cradle depicted in FIG. 1; and, FIG. 8 is a bottom plain view of the tablet computer cradle depicted in FIG. 1. Broken lines shown in the drawings illustrate portions of the tablet computer cradle, and form no part of the claimed design.

**1 Claim, 7 Drawing Sheets**



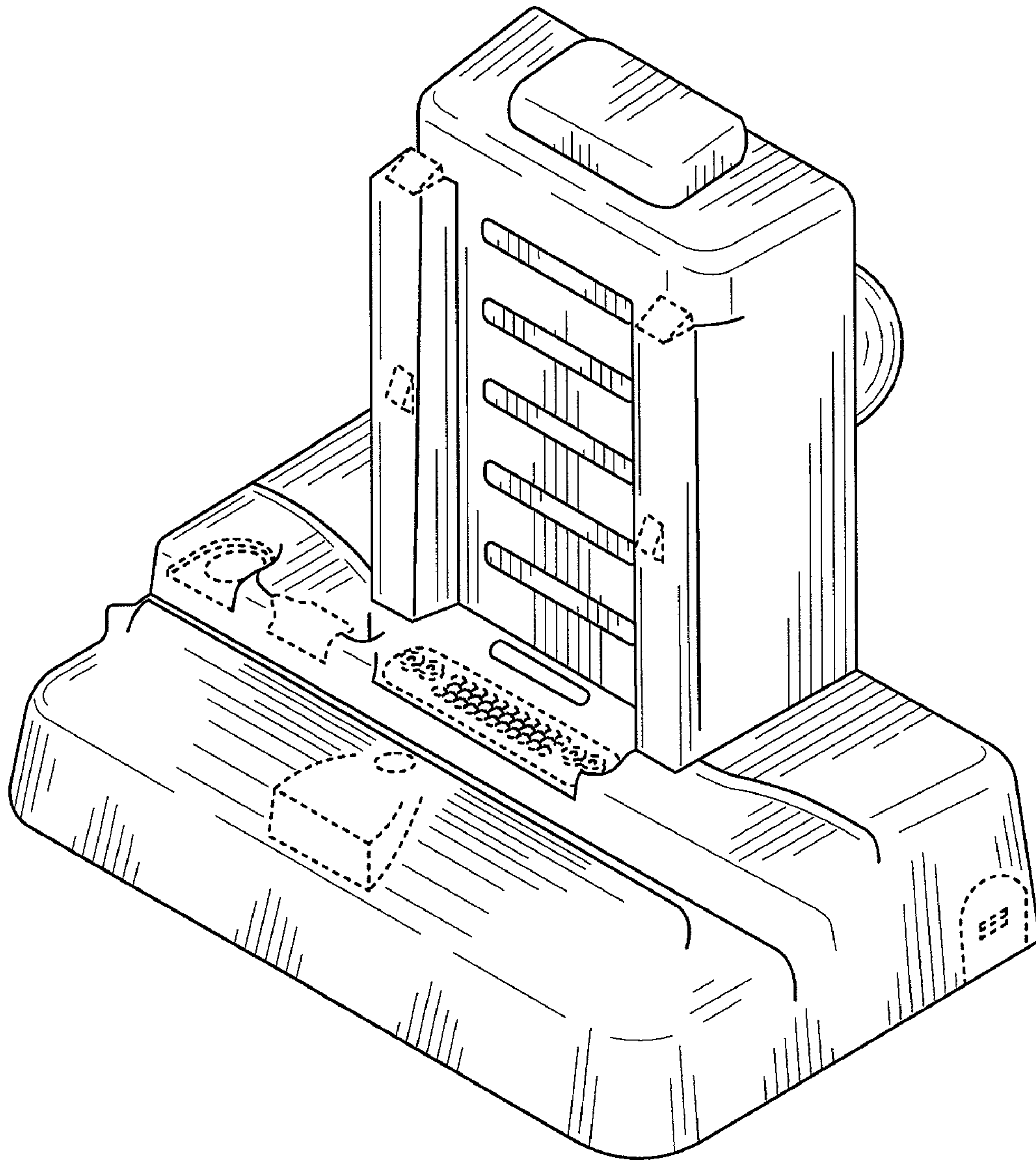
# US D668,657 S

Page 2

## U.S. PATENT DOCUMENTS

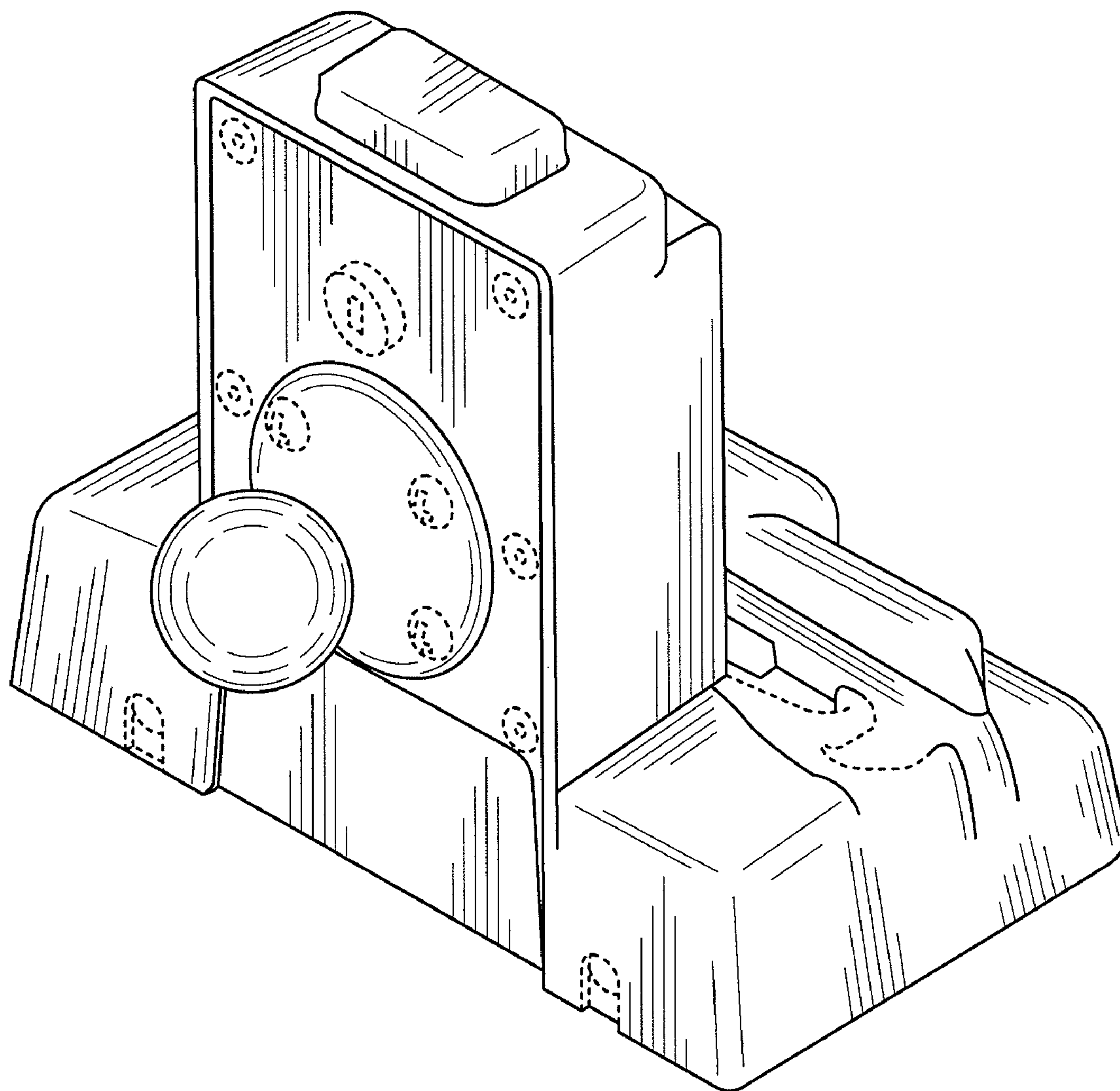
D460,075	S	7/2002	Destefano et al.				
6,412,697	B1	7/2002	Bridgelall et al.				
D466,511	S	12/2002	Croley et al.				
6,497,368	B1	12/2002	Friend et al.				
6,502,754	B1	1/2003	Bhatia et al.				
D472,900	S *	4/2003	Matsumoto	.....	D14/447		
6,643,127	B1	11/2003	Richardson				
6,644,611	B1	11/2003	Tai				
6,719,201	B2	4/2004	Tamburrini et al.				
D493,802	S	8/2004	Berentzen et al.				
6,814,290	B2	11/2004	Longacre				
6,856,506	B2	2/2005	Doherty et al.				
6,882,524	B2	4/2005	Ulla et al.				
D508,916	S *	8/2005	Lee	.....	D14/447		
D520,013	S *	5/2006	Yang	.....	D14/434		
7,068,496	B2 *	6/2006	Wong et al.	.....	361/679.28		
D535,655	S *	1/2007	Araki	.....	D14/439		
7,236,356	B2	6/2007	Ulla et al.				
D586,384	S *	2/2009	Yamaguchi et al.	.....	D18/55		
7,515,408	B2 *	4/2009	Bakker et al.	.....	361/679.33		
D595,722	S	7/2009	Miyawaki				
D598,453	S	8/2009	Solomon et al.				
D601,089	S	9/2009	Lin				
D602,933	S	10/2009	Huang et al.				
7,708,240	B2	5/2010	Homer et al.				
D621,405	S	8/2010	Waite et al.				
D627,785	S *	11/2010	Bouthillier	.....	D14/434		
2003/0235029	A1 *	12/2003	Doherty et al.	.....	361/683		
2004/0140966	A1	7/2004	Marggraff et al.				
2005/0200608	A1	9/2005	Ulla et al.				
2005/0213297	A1	9/2005	Ulla et al.				
2005/0213298	A1	9/2005	Doherty et al.				
2006/0017706	A1	1/2006	Cutherell et al.				
2006/0044288	A1	3/2006	Nakamura et al.				
2006/0221565	A1	10/2006	Doherty et al.				

\* cited by examiner

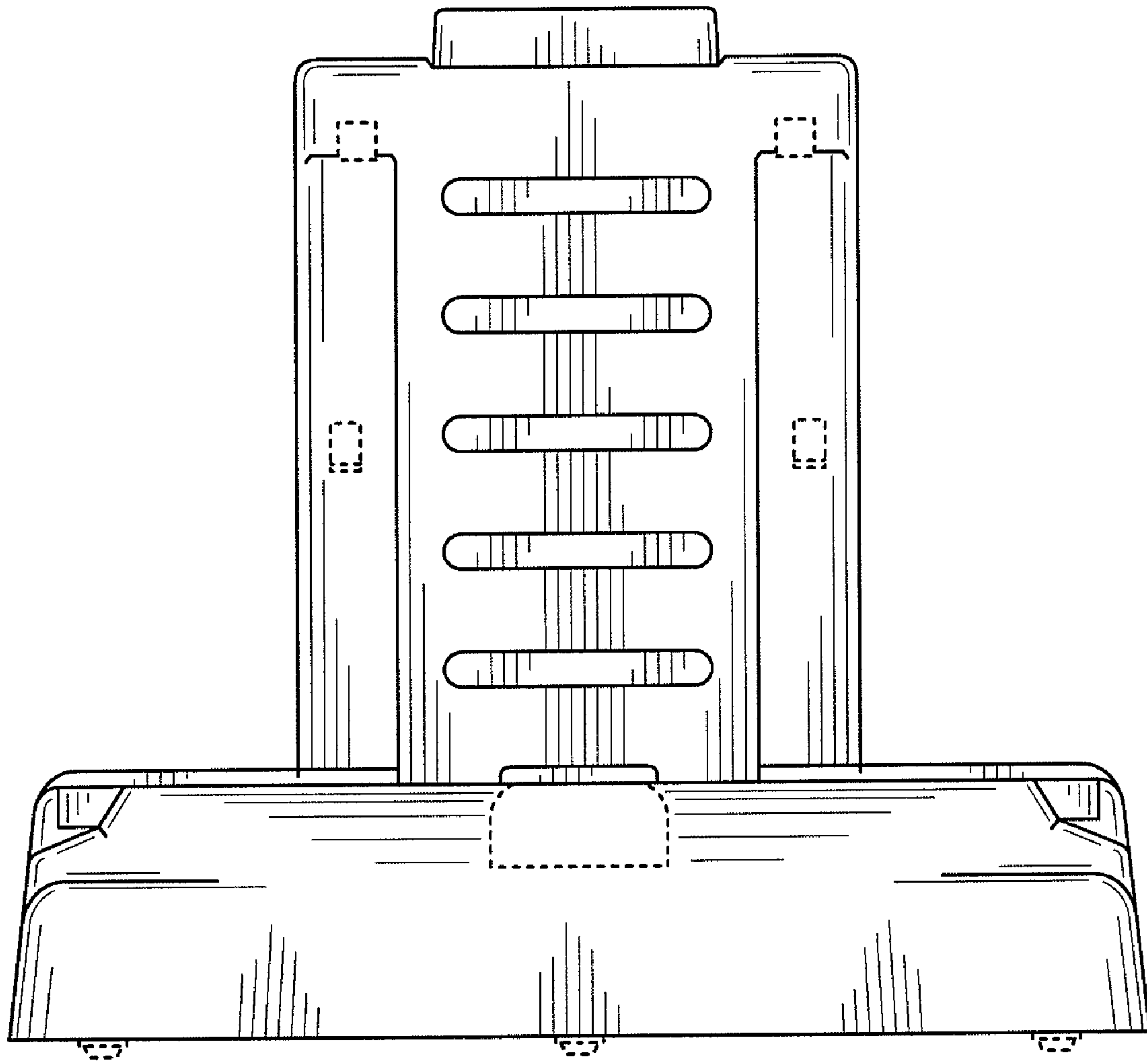


**FIG. 1**





**FIG. 2**



**FIG. 3**

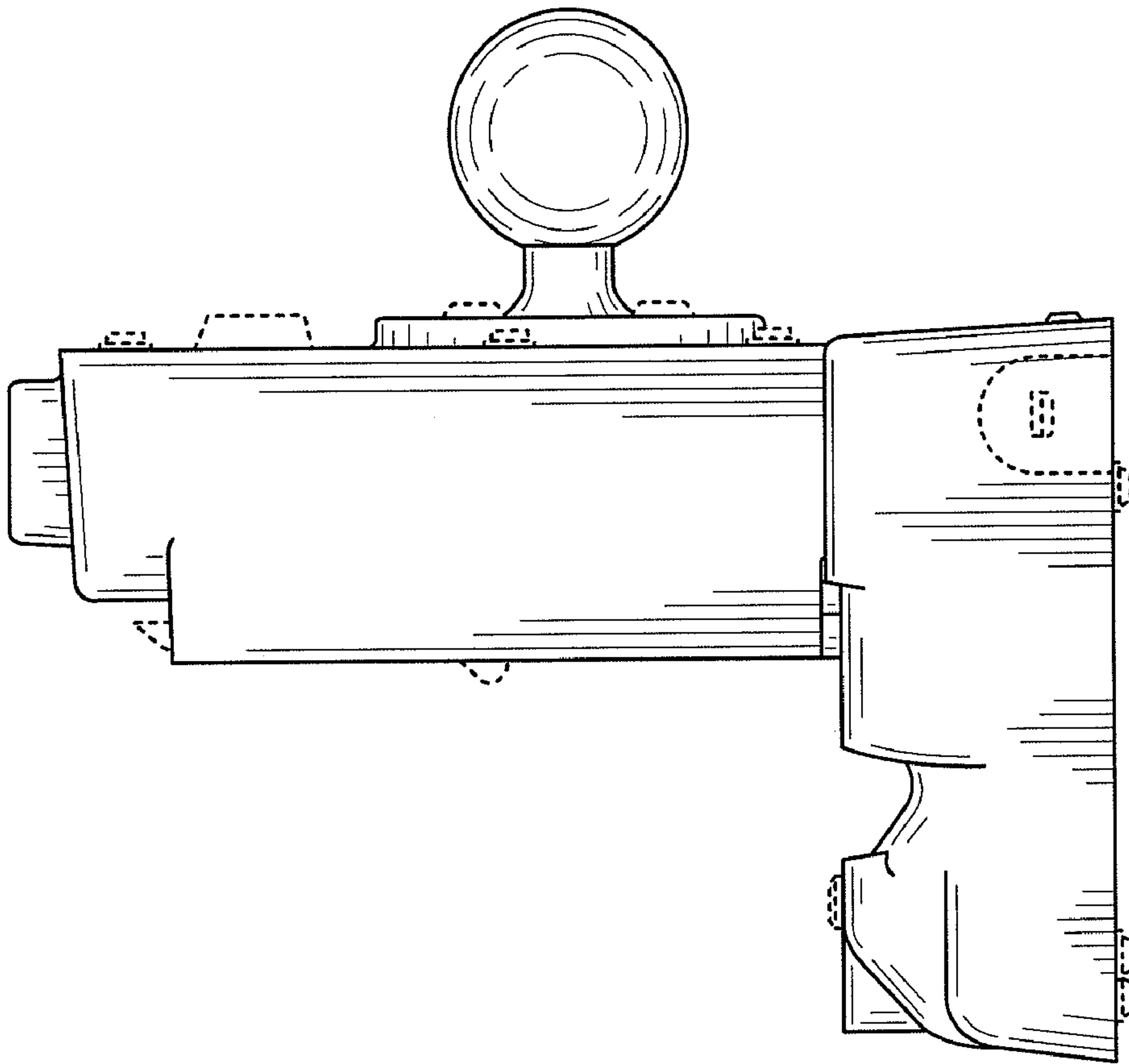


FIG. 5

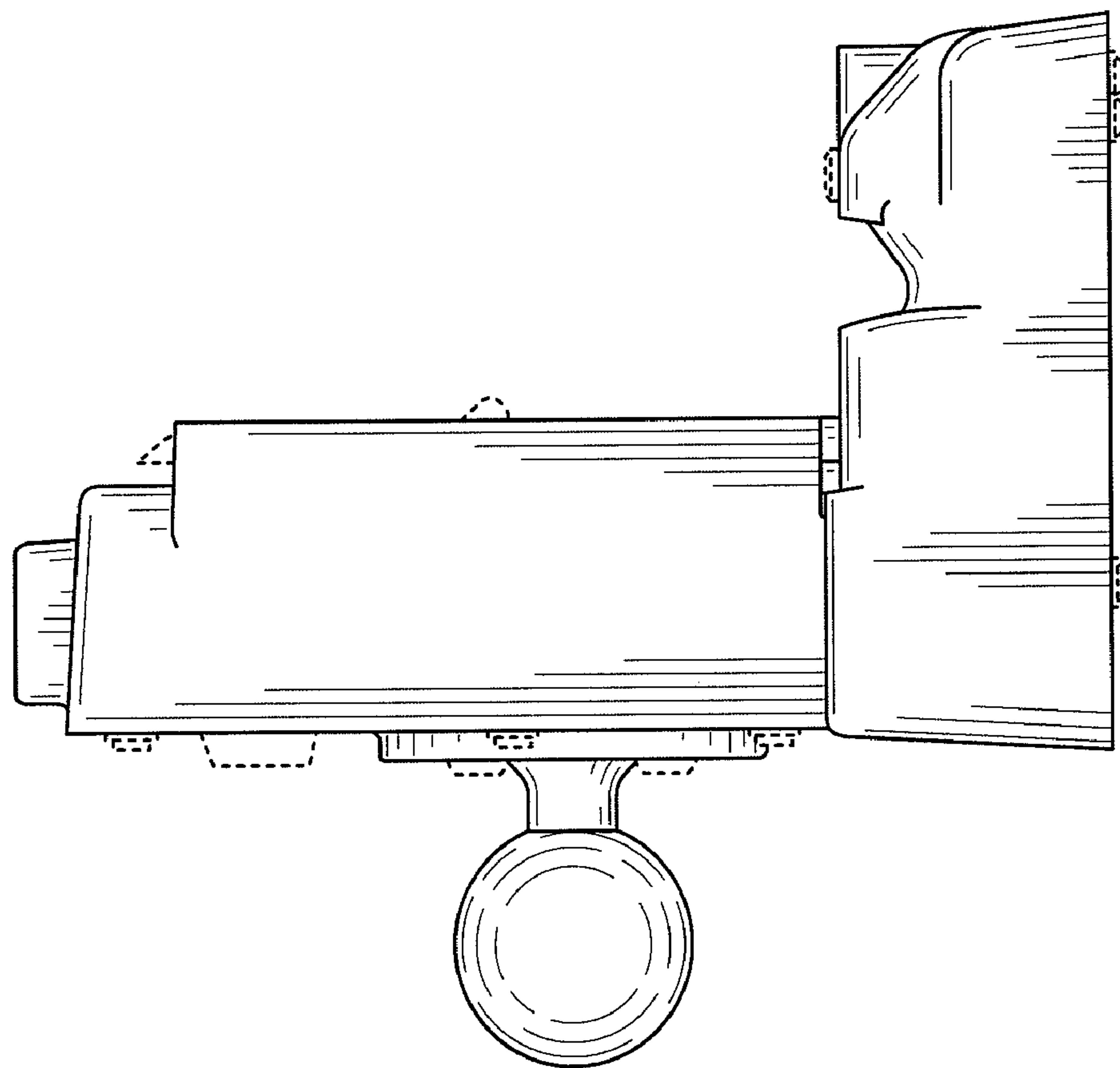


FIG. 4

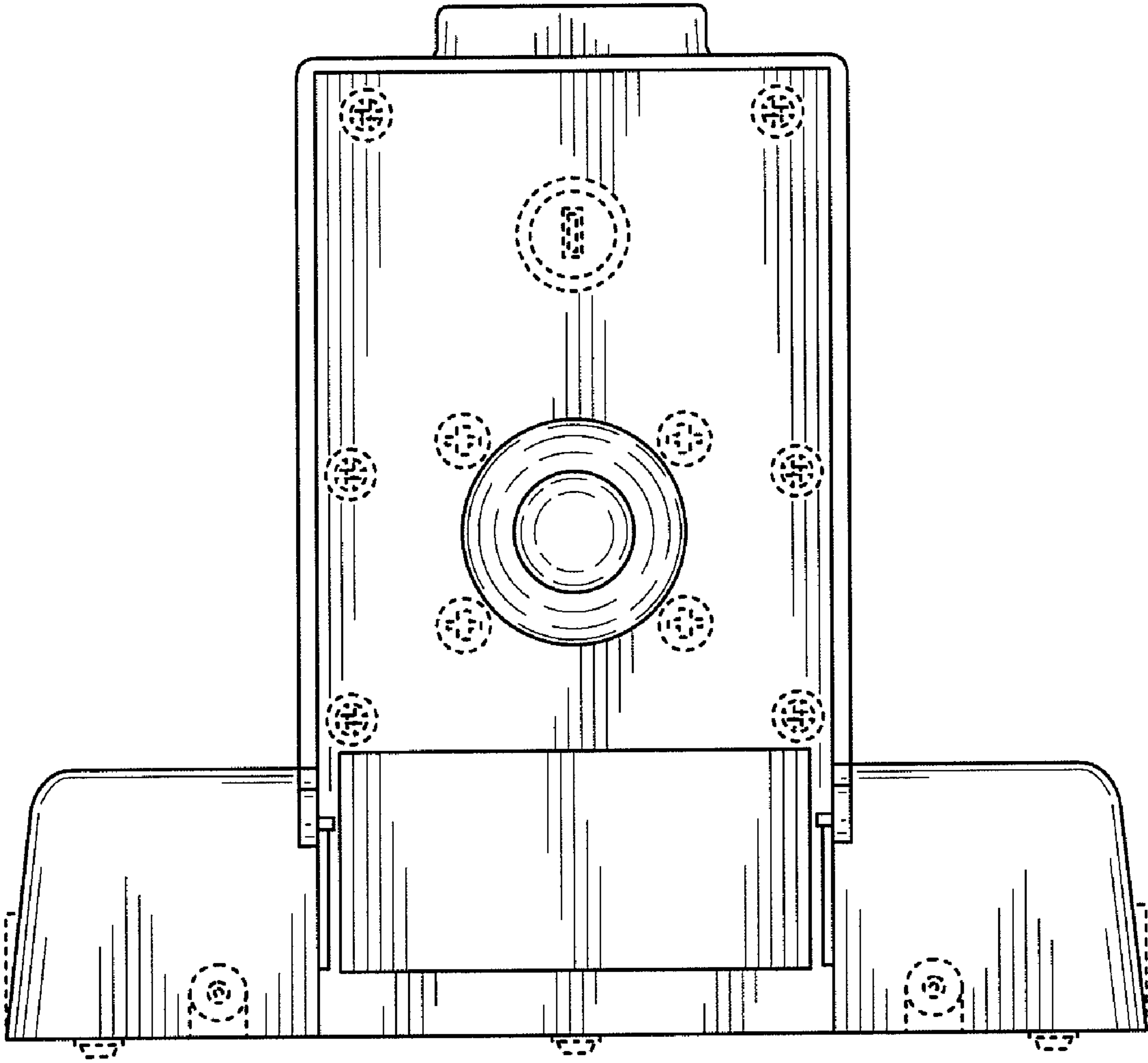
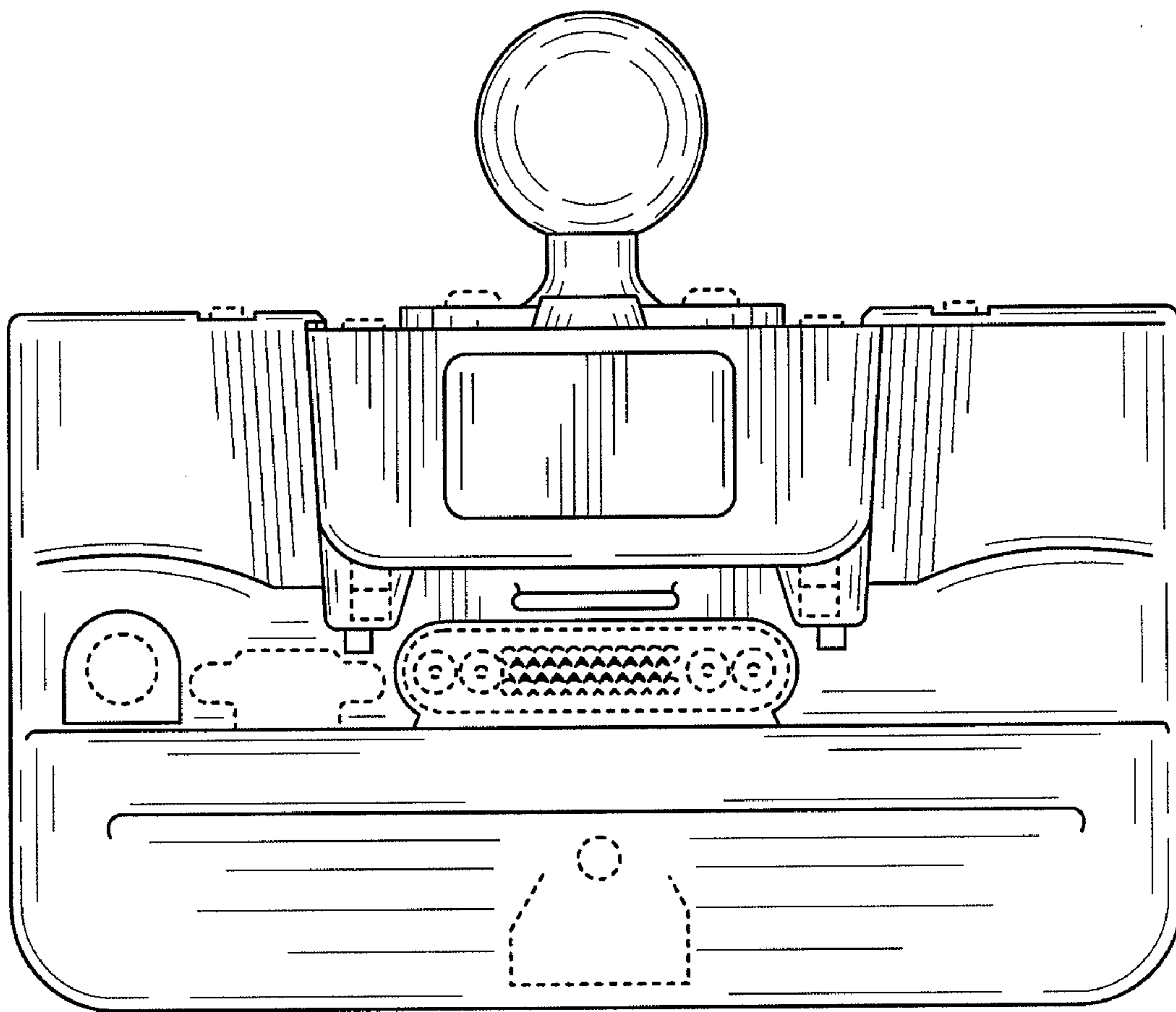
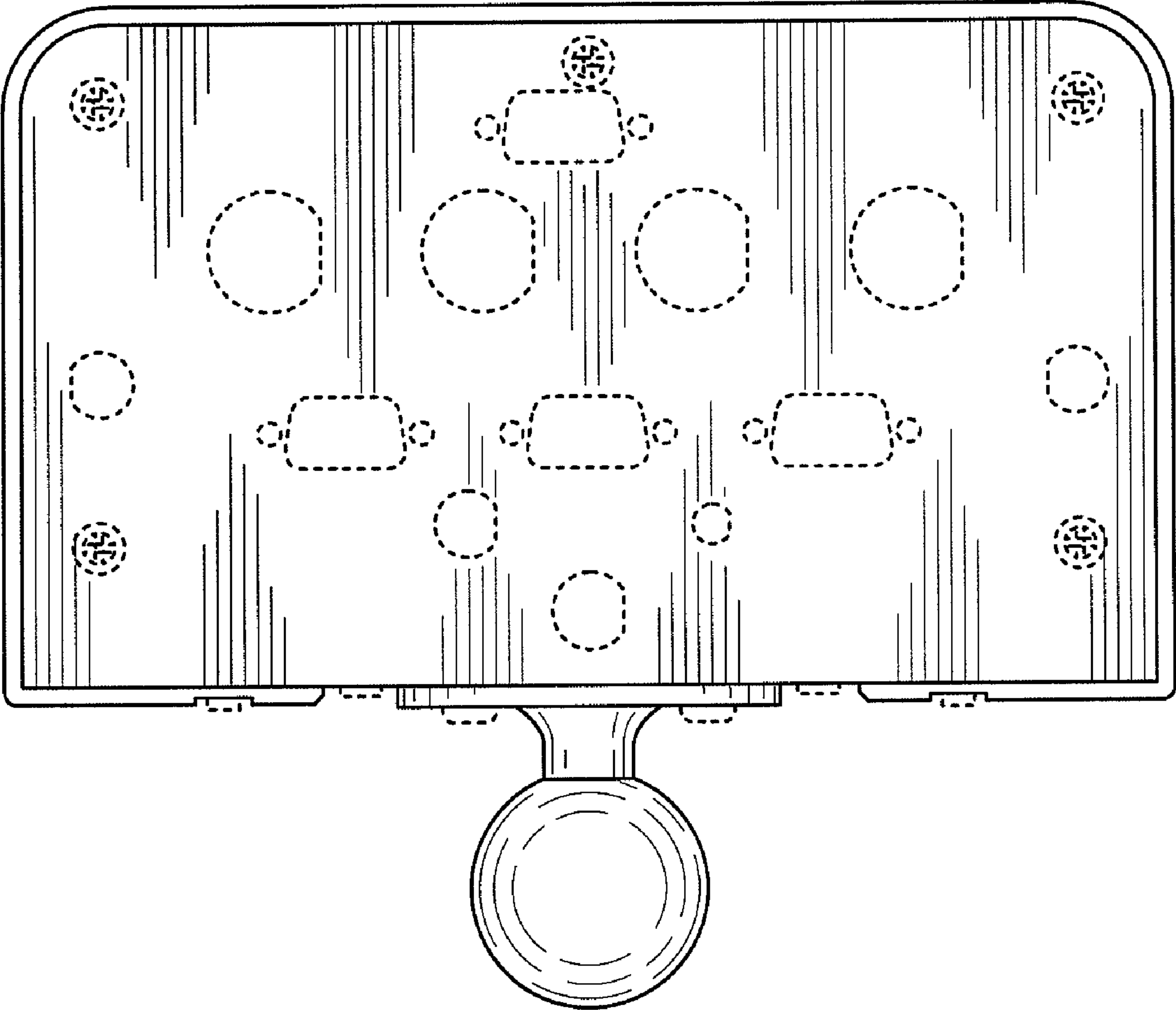


FIG. 6



**FIG. 7**





**FIG. 8**