



US00D668655S

(12) **United States Design Patent**
Li et al.

(10) **Patent No.:** **US D668,655 S**
(45) **Date of Patent:** **** Oct. 9, 2012**

(54) **TOUCH PEN**

(75) Inventors: **Wu-Qi Li**, Shenzhen (CN); **Ben-Xiang Zhao**, Shenzhen (CN); **Wu-Zhu Hu**, Shenzhen (CN); **Jin-Xin Wang**, Shenzhen (CN); **Tang Li**, Shenzhen (CN)

(73) Assignee: **Hon Hai Precision Industry Co., Ltd.**, Tu-Cheng, New Taipei (TW)

(**) Term: **14 Years**

(21) Appl. No.: **29/402,929**

(22) Filed: **Sep. 29, 2011**

(51) **LOC (9) Cl.** **14-02**

(52) **U.S. Cl.** **D14/411**

(58) **Field of Classification Search** D8/61;
D14/411; D19/35, 36, 41-51, 54-58; 401/55,
401/99, 100, 104-107, 196, 197, 202, 208,
401/209, 213, 192, 195, 243; 708/107; 345/179,
345/173; 178/19.01; 700/94

See application file for complete search history.

(56) **References Cited**

U.S. PATENT DOCUMENTS

2,421,967 A * 6/1947 Schepmoes 362/223
D234,921 S * 4/1975 Koster et al. D14/155
D293,940 S * 1/1988 Lasker D26/65

D322,140 S * 12/1991 Dacanay et al. D26/85
D374,294 S * 10/1996 Yuen D26/26
D417,165 S * 11/1999 Takeda et al. D10/106.6
D534,149 S * 12/2006 Griffin D14/155
D563,004 S * 2/2008 Biglarians D26/38
D619,581 S * 7/2010 Tani et al. D14/411
D640,698 S * 6/2011 Shi et al. D14/411
D662,097 S * 6/2012 Lin D14/411
D662,235 S * 6/2012 Lain et al. D26/3

* cited by examiner

Primary Examiner — Austin Murphy

(74) *Attorney, Agent, or Firm* — Altis Law Group, Inc.

(57) **CLAIM**

The ornamental design for a touch pen, as shown and described.

DESCRIPTION

FIG. 1 is a perspective view of a touch pen showing my design.

FIG. 2 is a front elevational view thereof.

FIG. 3 is a rear elevational view thereof.

FIG. 4 is a left-side elevational view thereof.

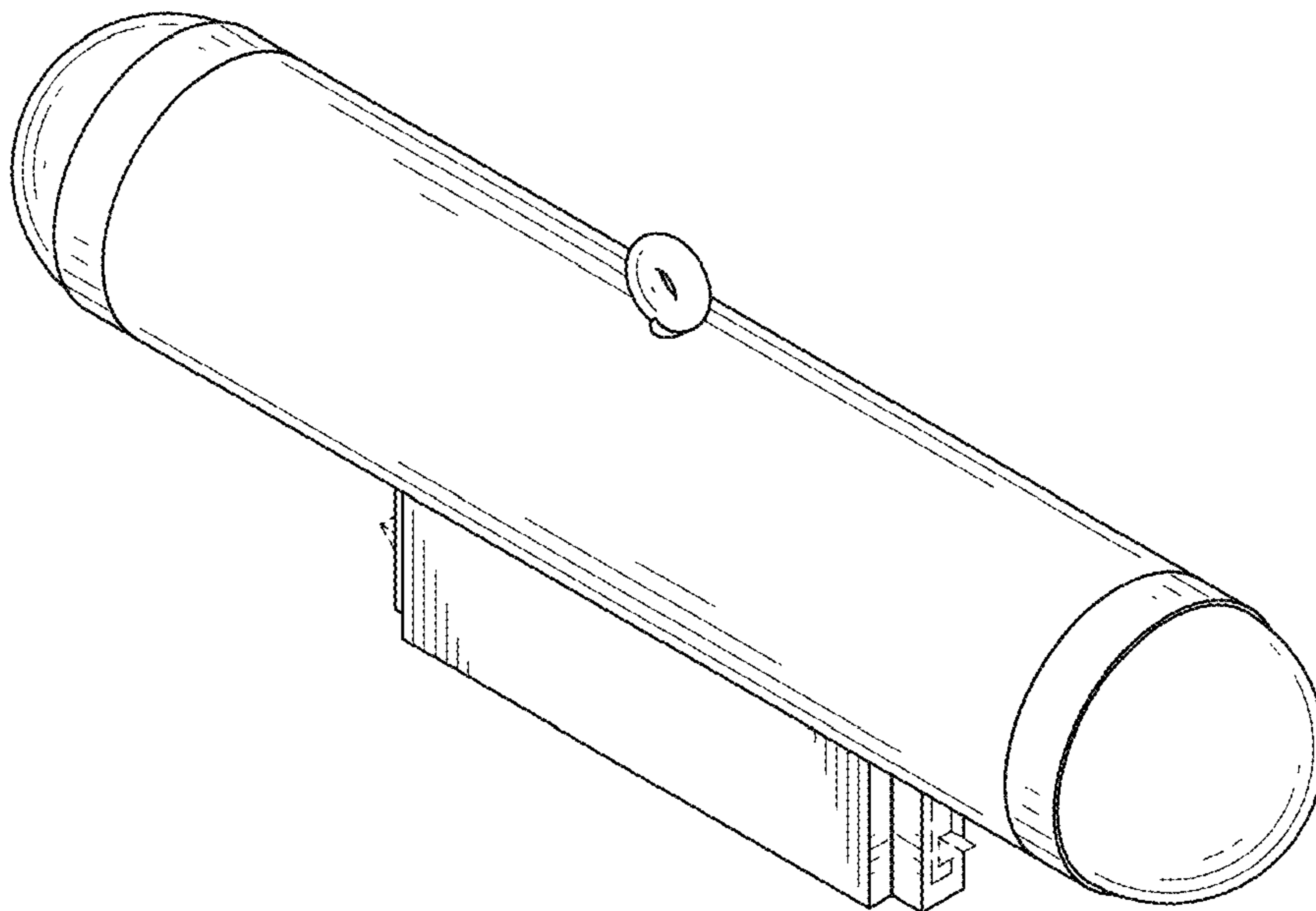
FIG. 5 is a right-side elevational view thereof.

FIG. 6 is a top plan view thereof; and,

FIG. 7 is a bottom plan view thereof.

The broken lines are for illustrative purposes only and form no part of the claimed design.

1 Claim, 7 Drawing Sheets



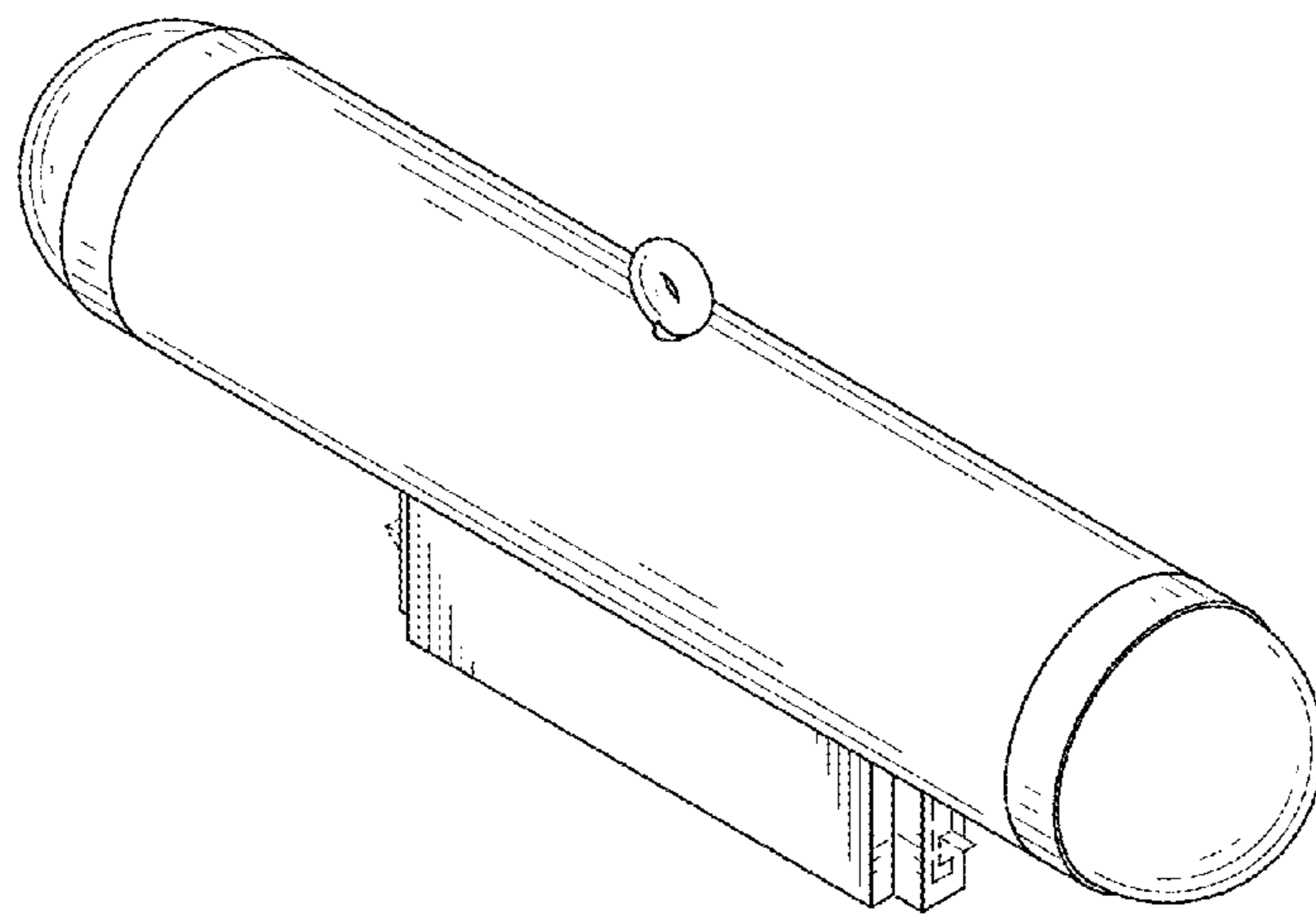


FIG. 1

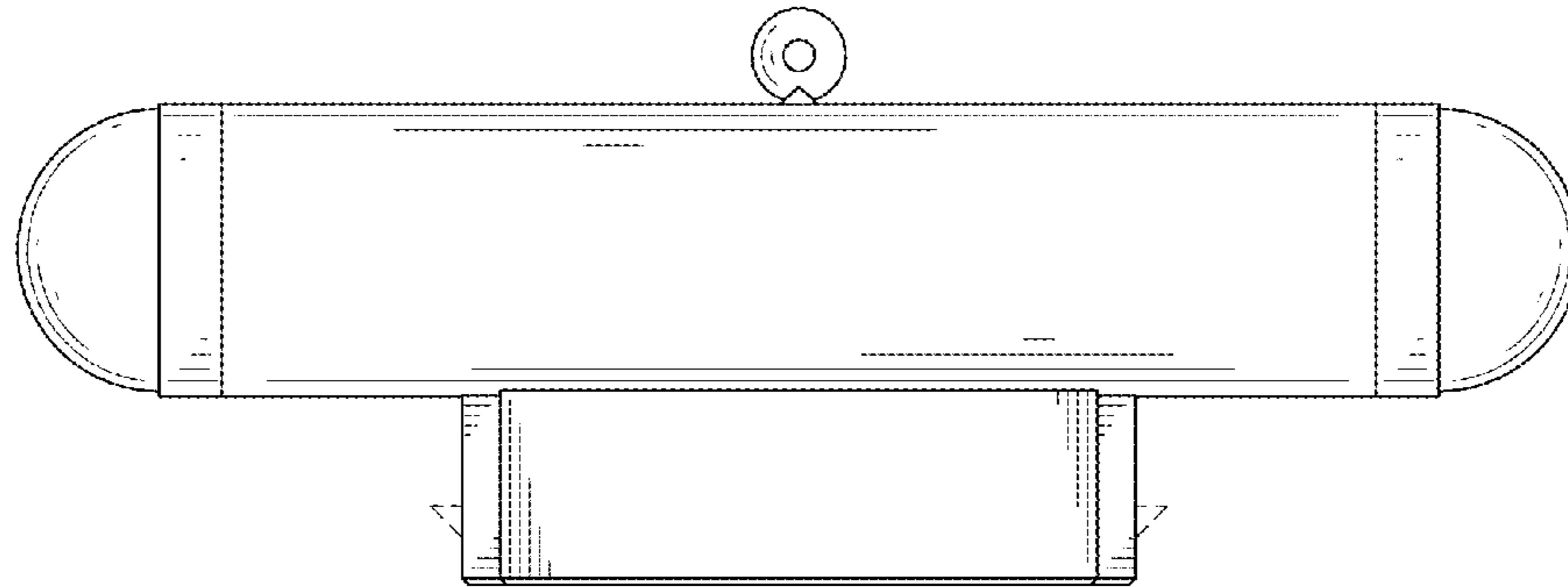


FIG. 2

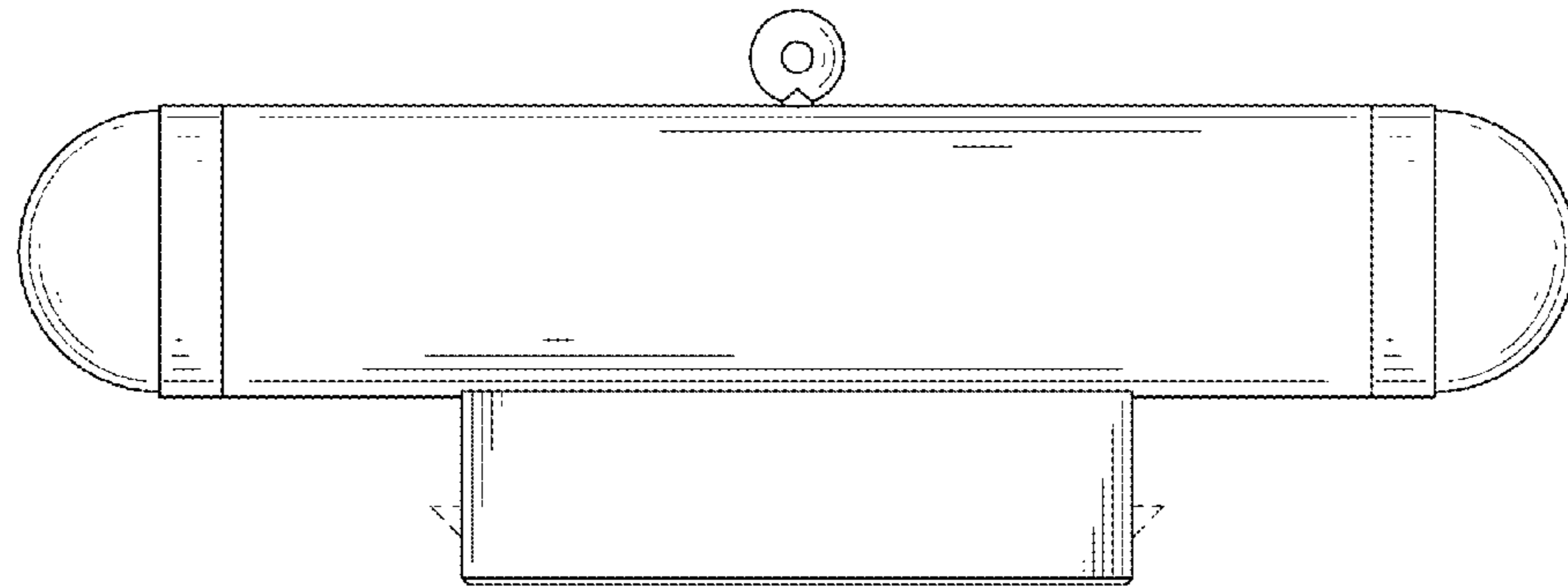


FIG. 3

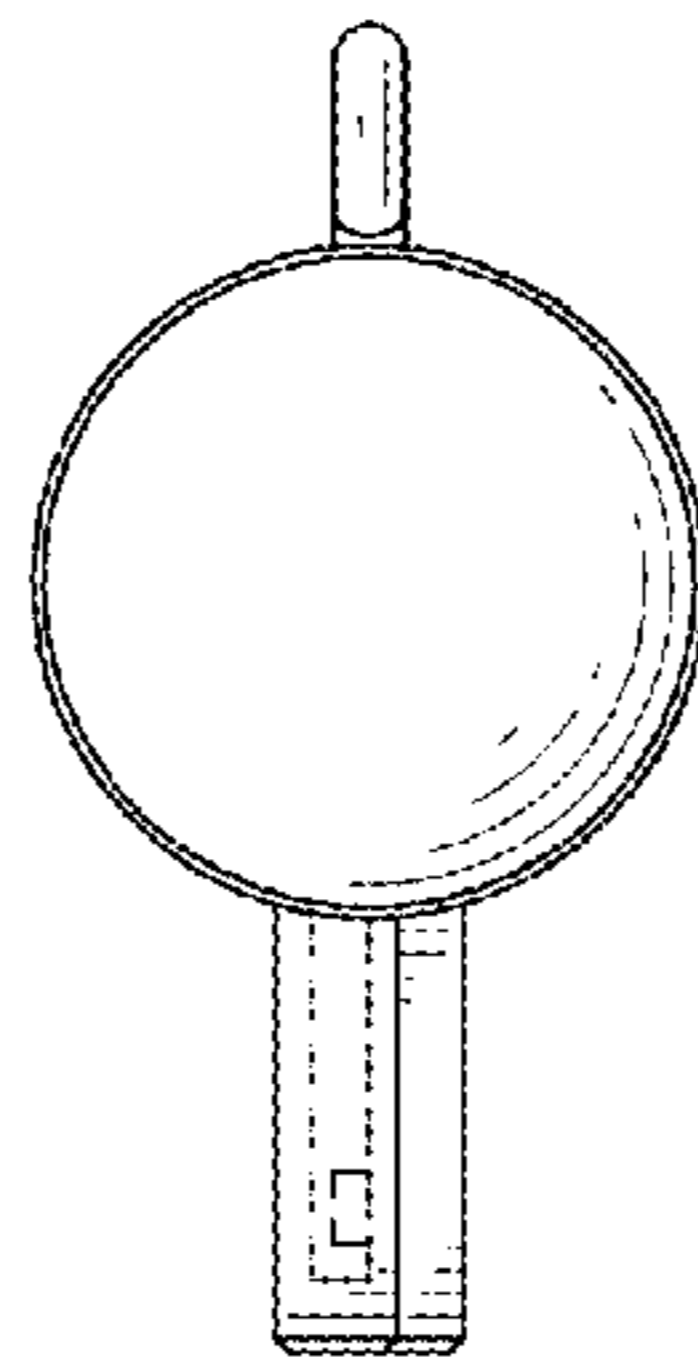


FIG. 4

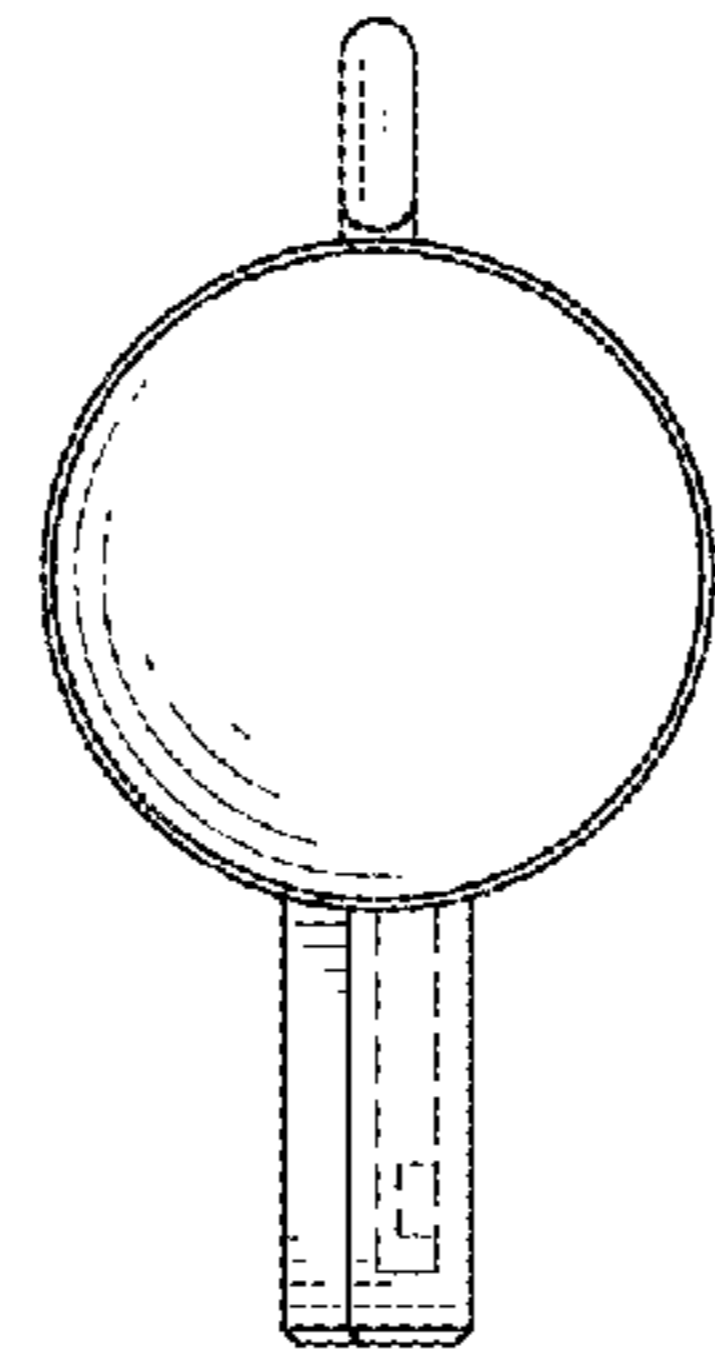


FIG. 5

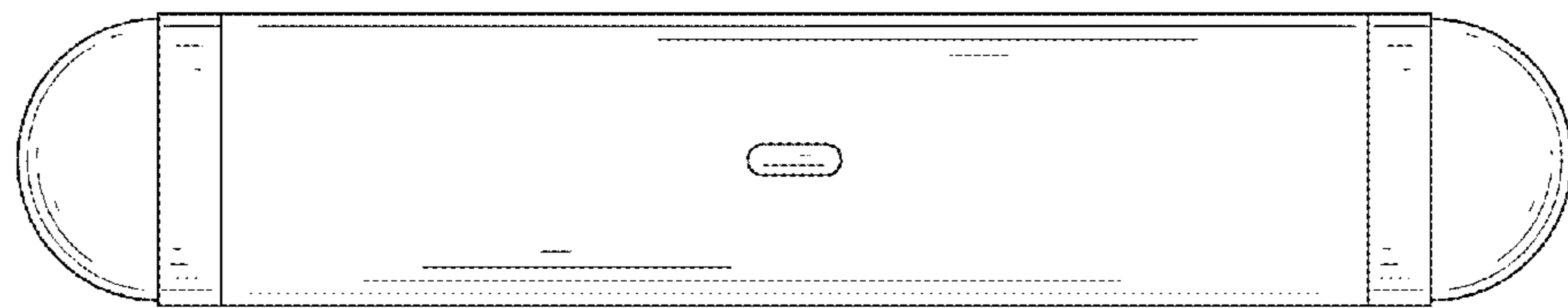


FIG. 6

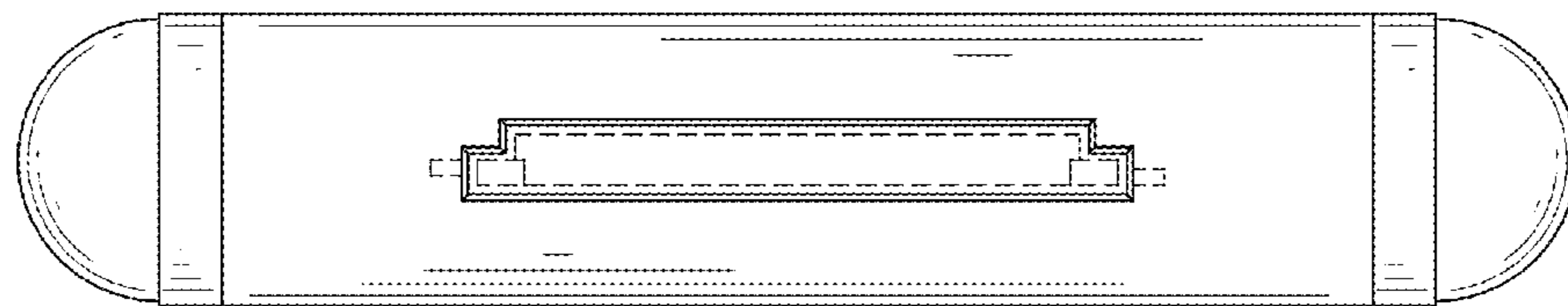


FIG. 7