



US00D668653S

(12) **United States Design Patent**  
**Chiu**

(10) **Patent No.:** **US D668,653 S**  
(45) **Date of Patent:** **\*\* Oct. 9, 2012**

(54) **DISPLAY**

(75) Inventor: **Yi-Chung Chiu**, Taoyuan County (TW)

(73) Assignee: **Hannspree, Inc.**, New Taipei (TW)

(\*\*) Term: **14 Years**

(21) Appl. No.: **29/408,538**

(22) Filed: **Dec. 14, 2011**

(51) **LOC (9) Cl.** ..... **14-02**

(52) **U.S. Cl.** ..... **D14/371**

(58) **Field of Classification Search** ..... D14/371-376,  
D14/125-129, 317, 331, 336, 337, 341, 383-385;  
D6/308; D10/20; 248/917-924, 176.1, 278.1;  
345/104, 156, 173, 174, 901-905; 348/180,  
348/184, 325, 739; 361/679.08, 679.21,  
361/679.23; 349/1, 2, 11

See application file for complete search history.

(56) **References Cited**

U.S. PATENT DOCUMENTS

D424,068	S	*	5/2000	Takemasa	.....	D14/374
D541,765	S	*	5/2007	Niitsu	.....	D14/126
D546,824	S	*	7/2007	Jackson, Jr.	.....	D14/341
D571,745	S	*	6/2008	Fujiki	.....	D14/126
D618,189	S	*	6/2010	Honda	.....	D14/126
2005/0243505	A1	*	11/2005	Jackson	.....	361/683

\* cited by examiner

*Primary Examiner* — Freda S Nunn

(74) *Attorney, Agent, or Firm* — Ming Chow; Sinorica, LLC

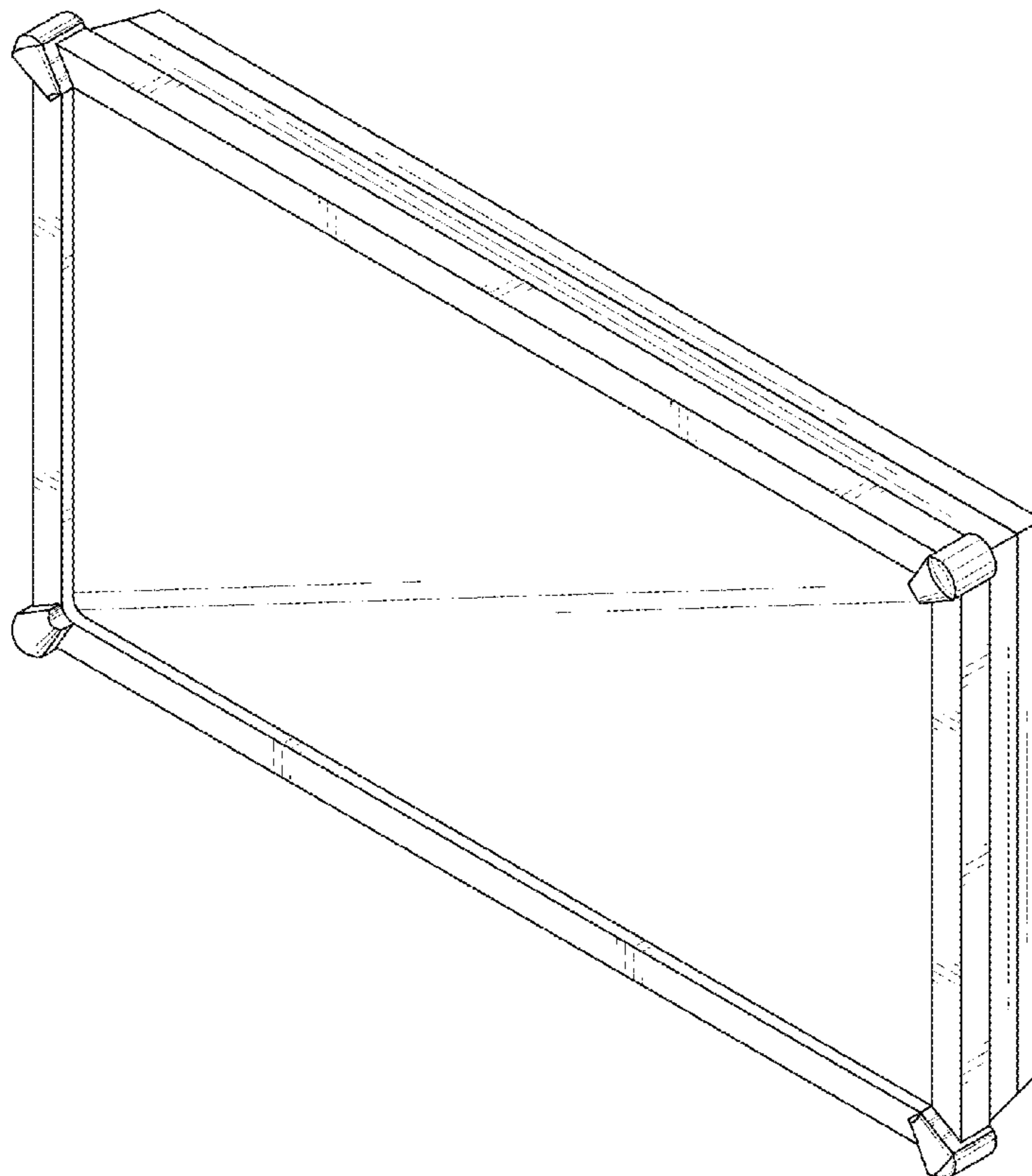
(57) **CLAIM**

The ornamental design for a display, as shown and described.

**DESCRIPTION**

FIG. 1. is a perspective view of a display showing my new design;  
FIG. 2. is a front elevational view thereof;  
FIG. 3. is a rear elevational view thereof;  
FIG. 4. is a left side elevational view thereof;  
FIG. 5. is a right side elevational view thereof;  
FIG. 6. is a top plan view thereof; and,  
FIG. 7. is a bottom plan view thereof.

**1 Claim, 7 Drawing Sheets**



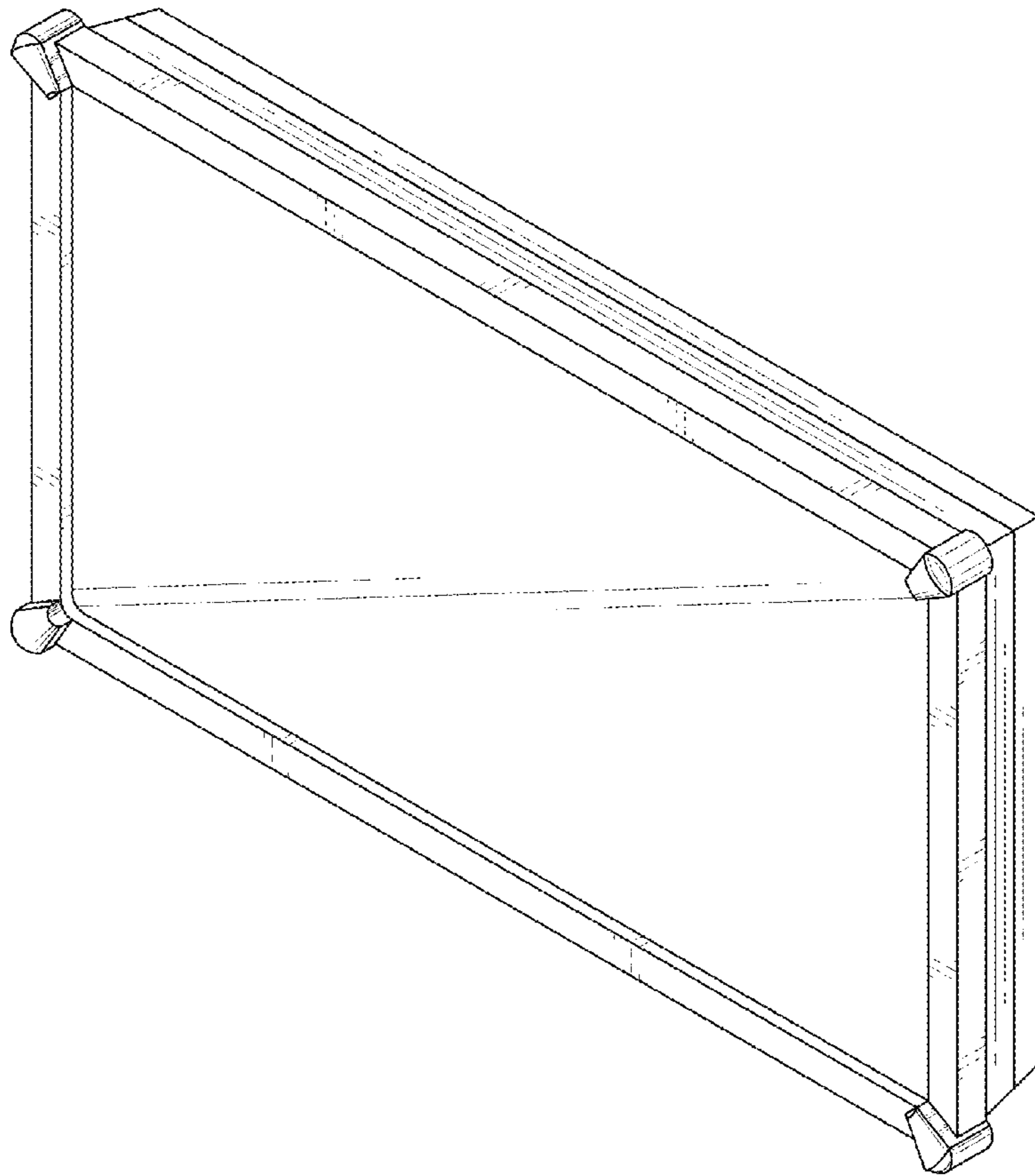


FIG. 1

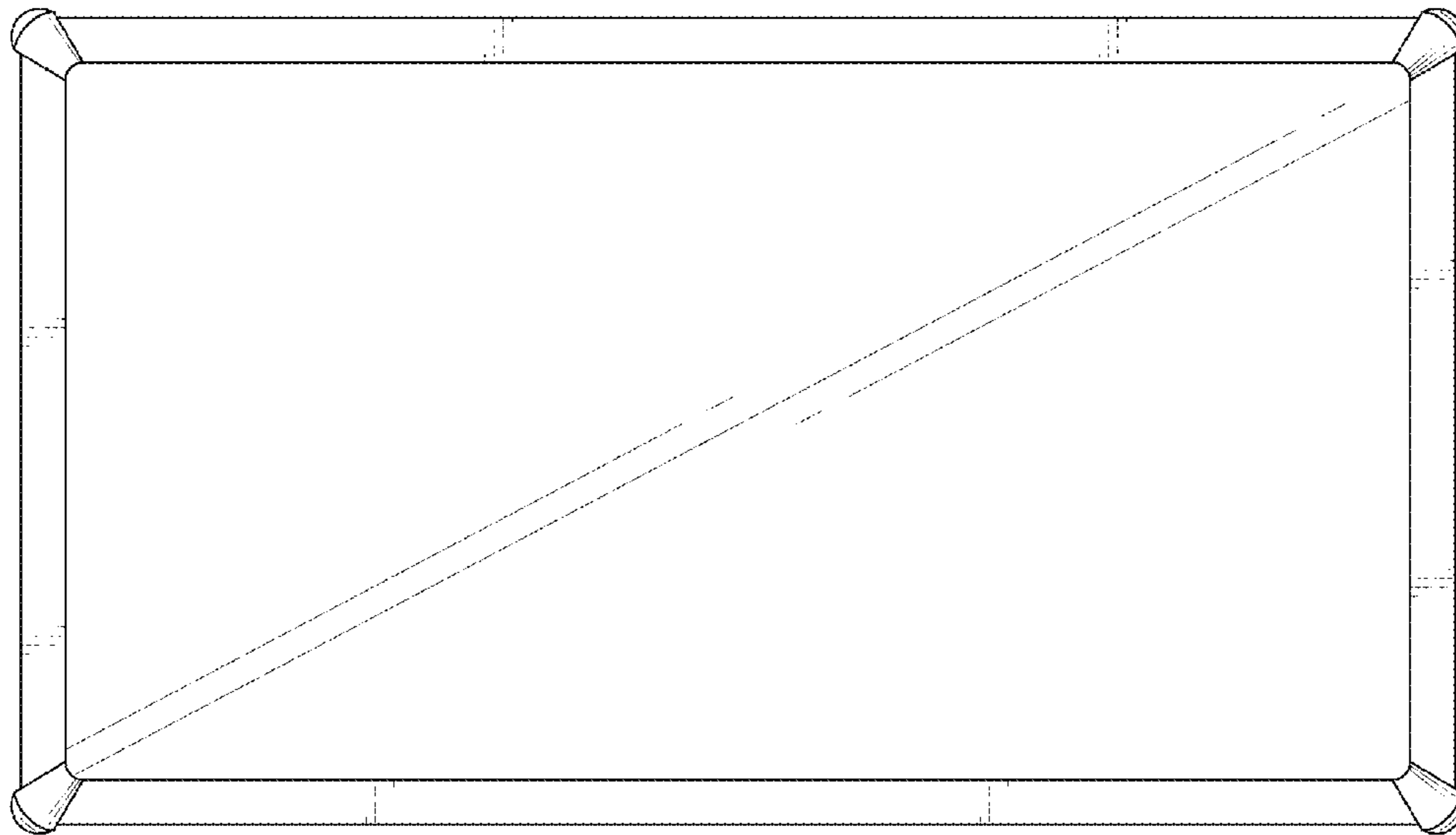


FIG. 2

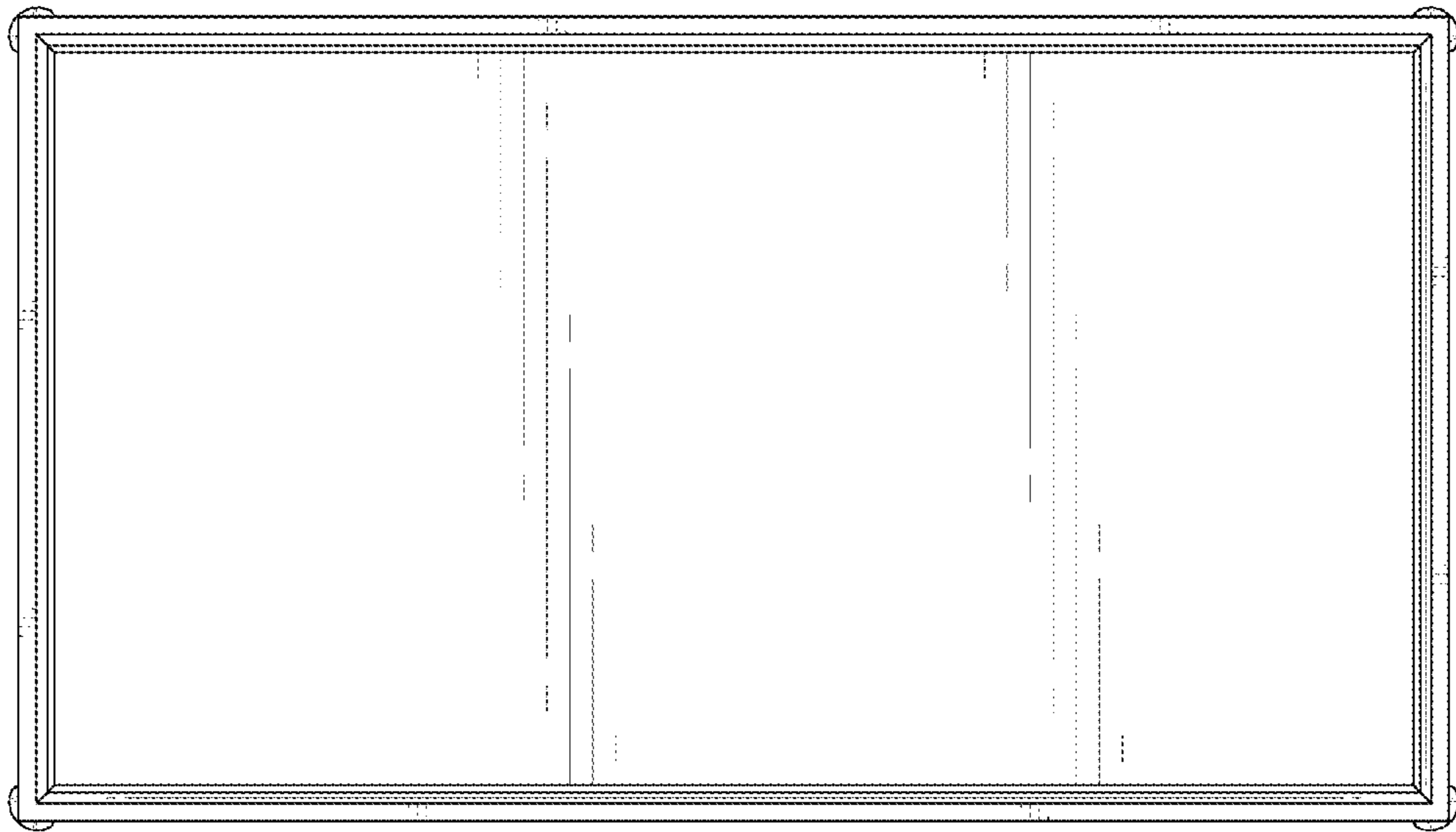


FIG. 3

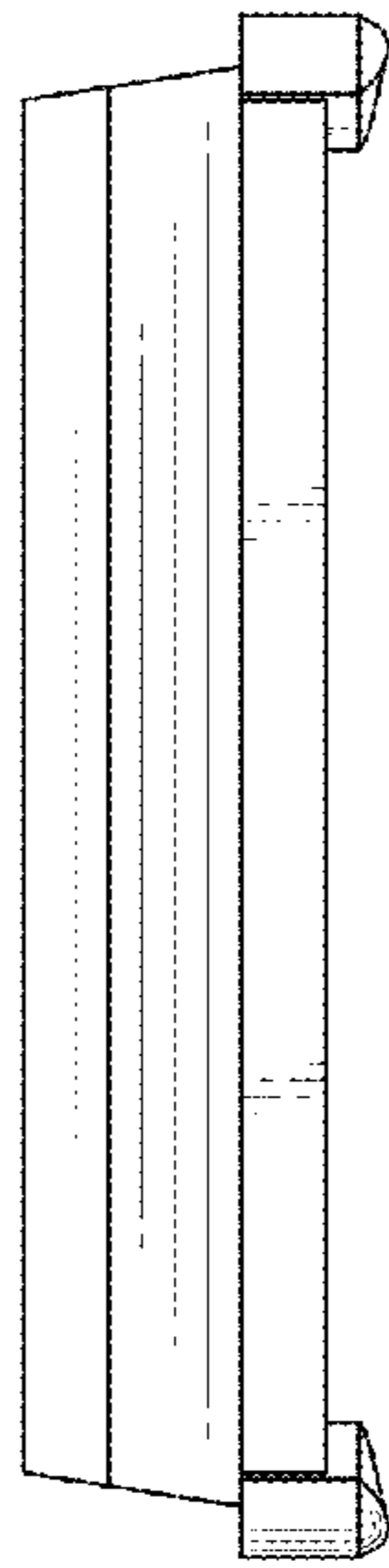


FIG. 4

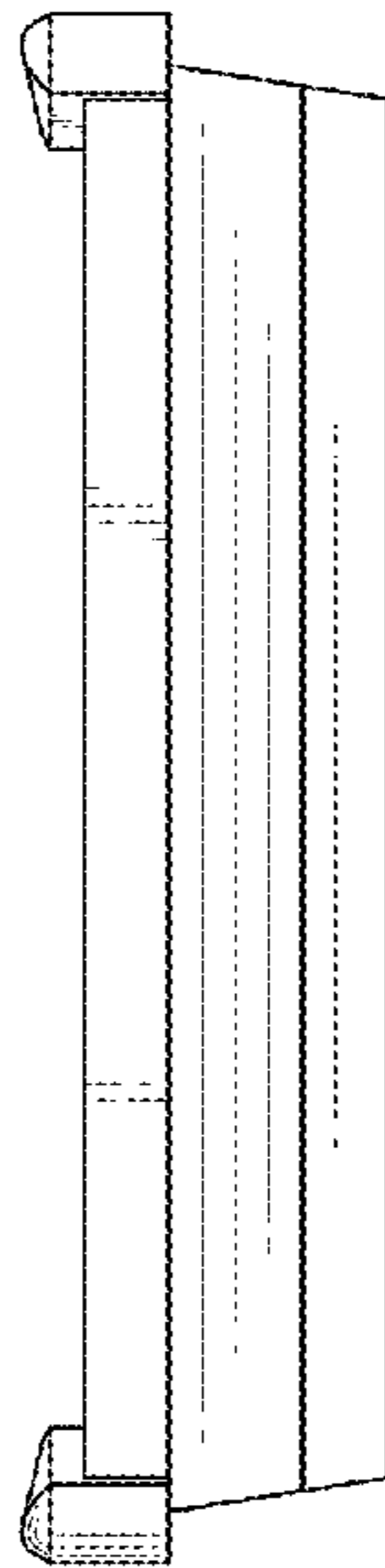


FIG. 5

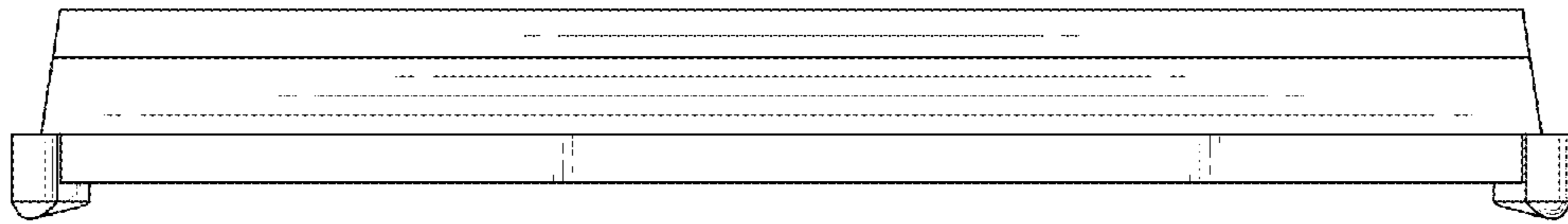


FIG. 6

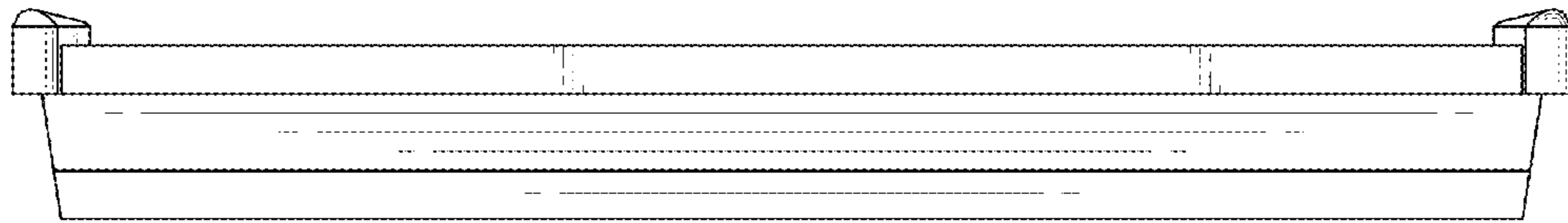


FIG. 7