

US00D668651S

(12) **United States Design Patent**  
**Kim et al.**

(10) **Patent No.:** **US D668,651 S**  
(45) **Date of Patent:** **\*\* Oct. 9, 2012**

(54) **MOBILE TERMINAL**

(75) Inventors: **Jin-Soo Kim**, Yongin-Si (KR);  
**Jung-Min Yeo**, Seoul (KR)

(73) Assignee: **Samsung Electronics Co., Ltd.** (KR)

(\*\*) Term: **14 Years**

(21) Appl. No.: **29/390,801**

(22) Filed: **Apr. 29, 2011**

(30) **Foreign Application Priority Data**

Mar. 9, 2011 (KR) ..... 30-2011-0009470

(51) **LOC (9) Cl.** ..... **14-02**

(52) **U.S. Cl.** ..... **D14/341; D14/138 G**

(58) **Field of Classification Search** ..... D14/341-347,  
D14/137, 138, 138.1, 138 A, 138 AA, 138 R,  
D14/138 AB, 138 AC, 138 AD, 138 C, 138 G,  
D14/496, 203.1, 203.3, 203.4, 203.5, 203.7,  
D14/426, 427, 432, 429, 129, 130, 420, 439-441,  
D14/448, 125, 126, 147, 156, 218, 247-248,  
D14/250, 389, 388, 315-318; D10/65, 104;  
D18/6-7; D21/324, 329, 330; D19/26, 59,  
D19/60; 455/556.1, 556.2, 566, 575.1, 90.3;  
379/433.04, 433.01, 433.06, 916; 345/169,  
345/173, 901, 905; 361/679.26, 679.27,  
361/679.3, 679.55, 679.56

See application file for complete search history.

(56) **References Cited**

**U.S. PATENT DOCUMENTS**

D270,061 S \* 8/1983 Ackeret ..... D6/308  
D333,574 S \* 3/1993 Ackeret ..... D6/300

D490,420 S \* 5/2004 Solomon et al. .... D14/341  
D532,791 S \* 11/2006 Kim ..... D14/203.7  
D558,460 S \* 1/2008 Yu et al. .... D6/308  
D579,930 S \* 11/2008 Maskatia ..... D14/341  
D602,487 S \* 10/2009 Maskatia ..... D14/341  
D613,510 S \* 4/2010 Tzeng et al. .... D6/308  
D617,793 S \* 6/2010 Chiang et al. .... D14/341  
D625,306 S \* 10/2010 Miyawaki ..... D14/341  
D636,391 S \* 4/2011 Shen et al. .... D14/341  
D636,769 S \* 4/2011 Wood et al. .... D14/341  
D638,412 S \* 5/2011 Lee ..... D14/250  
D639,805 S \* 6/2011 Song et al. .... D14/341  
D640,220 S \* 6/2011 Shyu et al. .... D14/138 G  
D641,018 S \* 7/2011 Lee et al. .... D14/341  
D646,902 S \* 10/2011 Woo et al. .... D6/308  
D650,381 S \* 12/2011 Park et al. .... D14/341  
D654,893 S \* 2/2012 Jung ..... D14/138 G  
D657,795 S \* 4/2012 Smith et al. .... D14/447

\* cited by examiner

*Primary Examiner* — Barbara Fox

(74) *Attorney, Agent, or Firm* — NSIP Law

(57) **CLAIM**

The ornamental design for a mobile terminal, as shown and described.

**DESCRIPTION**

FIG. 1 is a perspective view of a mobile terminal showing the new design.  
FIG. 2 is a front view of the mobile terminal of FIG. 1;  
FIG. 3 is a rear view of the mobile terminal of FIG. 1;  
FIG. 4 is a left-side view of the mobile terminal of FIG. 1;  
FIG. 5 is a right-side view of the mobile terminal of FIG. 1;  
FIG. 6 is a top plan view of the mobile terminal of FIG. 1; and,  
FIG. 7 is a bottom plan view of the mobile terminal of FIG. 1.

**1 Claim, 5 Drawing Sheets**

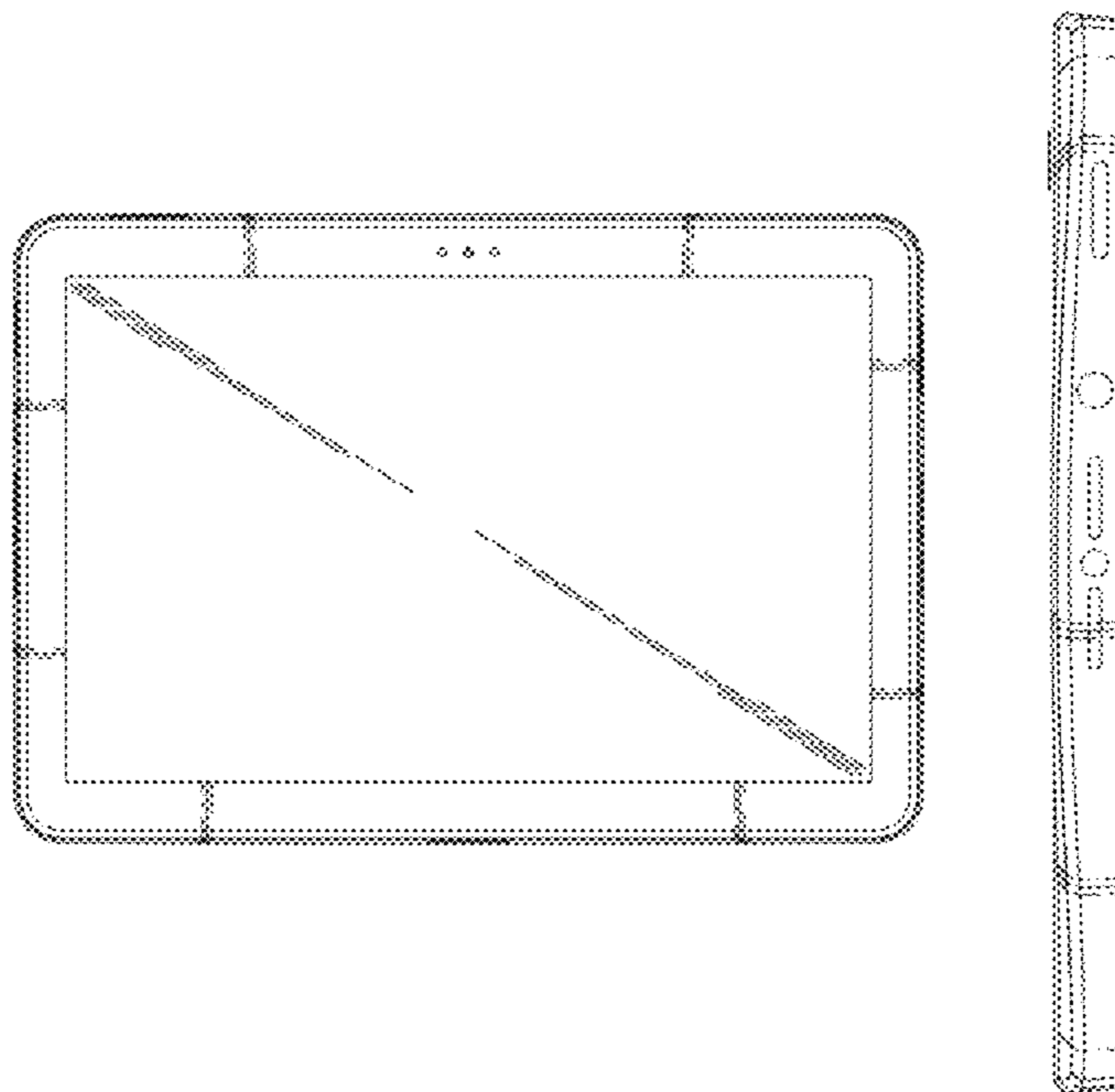


FIG. 1

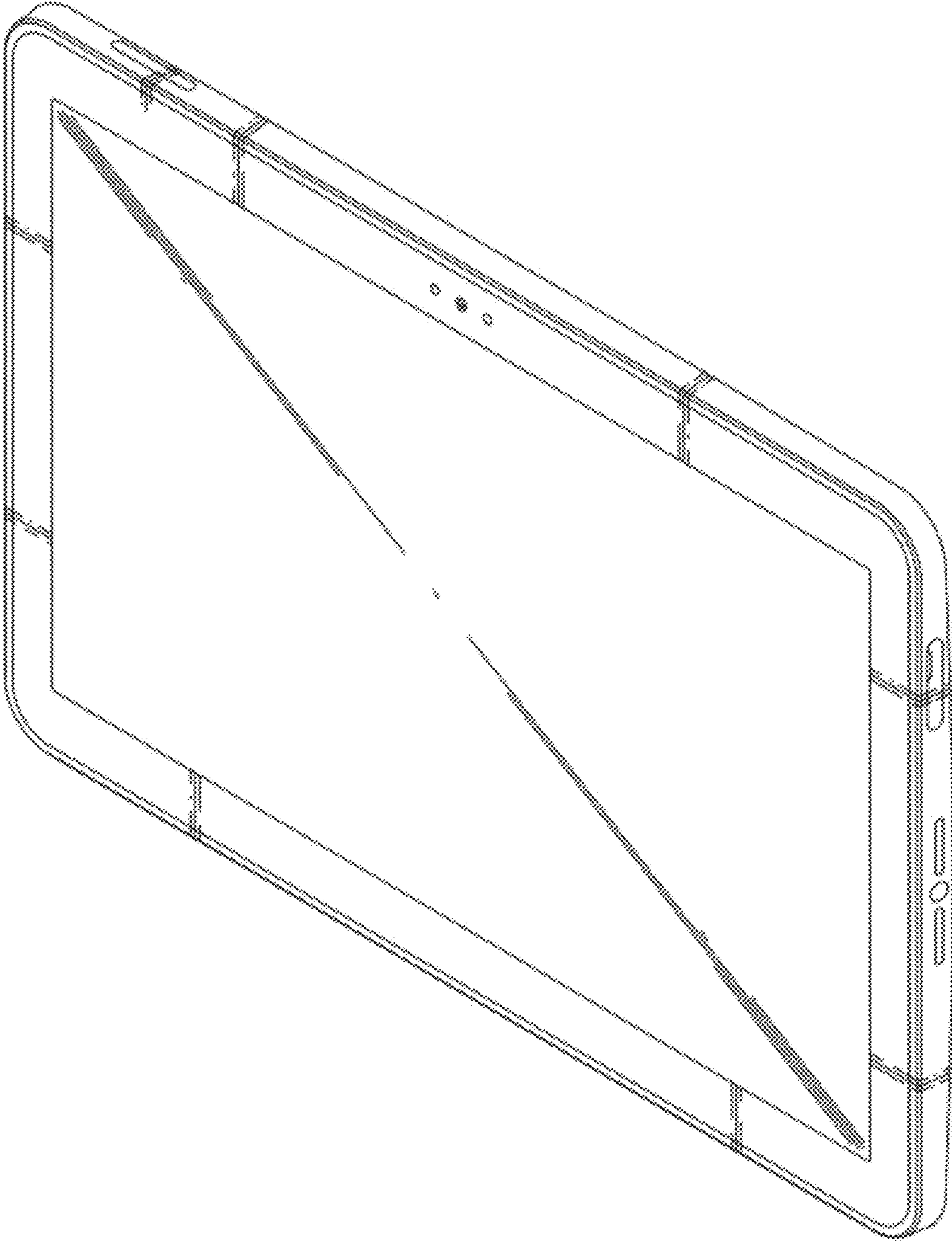


FIG. 2

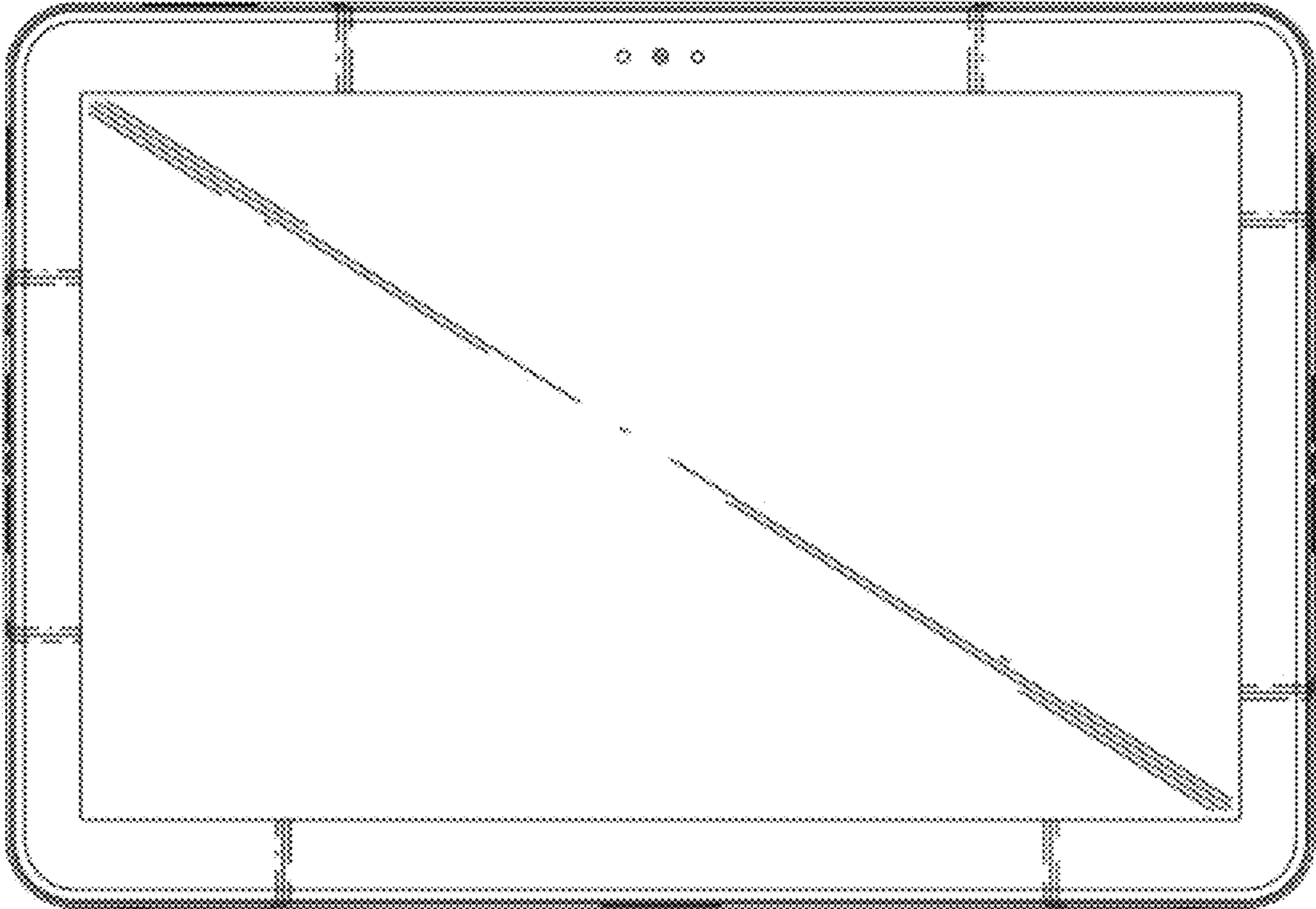


FIG. 3

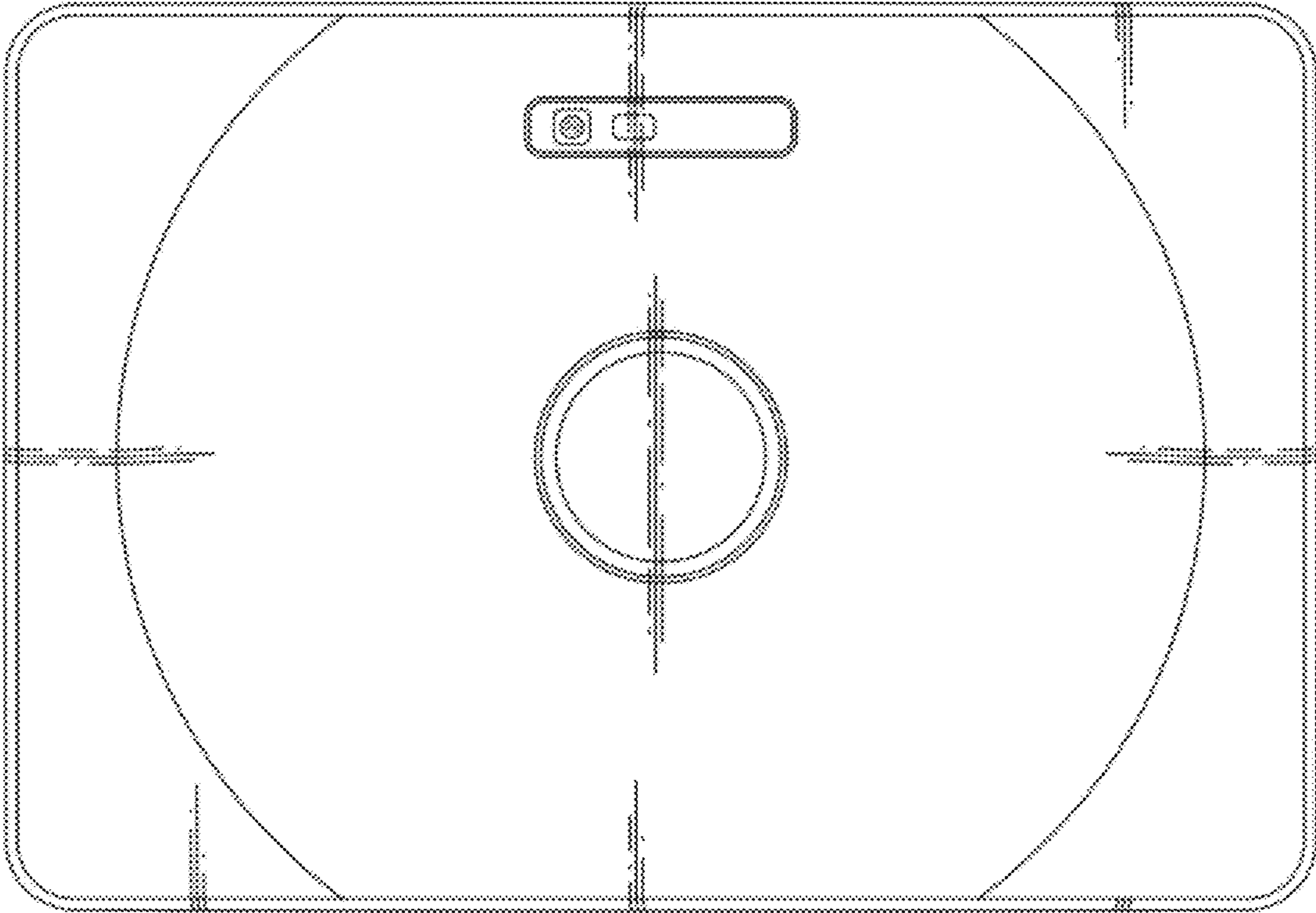




FIG. 4

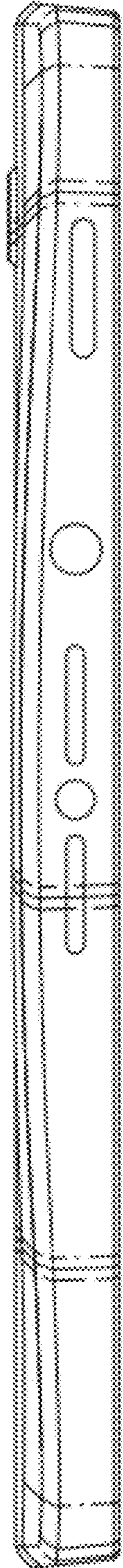


FIG. 5

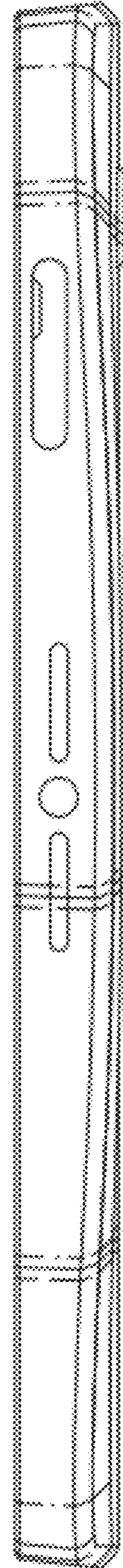


FIG. 6

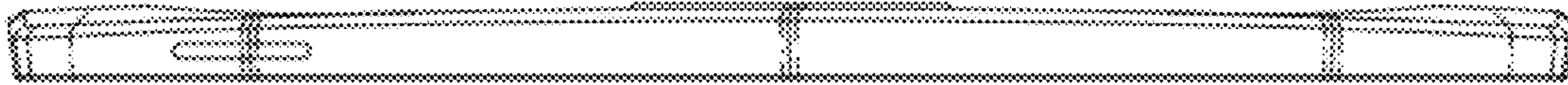


FIG. 7

