



US00D668641S

(12) **United States Design Patent**
Luijben et al.

(10) **Patent No.:** **US D668,641 S**

(45) **Date of Patent:** **** Oct. 9, 2012**

(54) **FLAT SMALL AUDIO VISUAL WALL MOUNT**

(75) Inventors: **Stefan Arthur Luijben**, Helmond (NL);
Daniel Watze Flach, Son en Breugel
(NL)

(73) Assignee: **Vogel's Holding B.V.** (NL)

(**) Term: **14 Years**

(21) Appl. No.: **29/411,828**

(22) Filed: **Jan. 26, 2012**

(51) **LOC (9) Cl.** **14-03**

(52) **U.S. Cl.** **D14/239**

(58) **Field of Classification Search** D14/125-134,
D14/239, 371, 136, 374-377; D8/363, 373,
D8/349, 394; 248/465, 917-924, 123.11;
348/825, 827, 836, 837, 838, 180, 184, 325,
348/739; 600/443; D6/477-479, 407, 474,
D6/460, 461, 468; 312/7.2; 341/12; 345/87,
345/104, 133, 156, 168, 169, 173; 720/605,
720/669, 600, 655; 369/99, 197; 455/344-347;
349/1, 2, 11, 62; 108/59, 91, 92, 96; 211/40,
211/41.12, 42, 49.1, 50, 85.2, 90.04, 187,
211/190, 119.003, 134.153, 87.01, 71.01

See application file for complete search history.

(56) **References Cited**

U.S. PATENT DOCUMENTS

1,815,767 A * 7/1931 Fusmer 248/475.1
D517,085 S * 3/2006 Deuschle D14/451
D528,901 S * 9/2006 David D8/373
D539,125 S * 3/2007 Ly Hau et al. D8/373

D553,125 S * 10/2007 Ly Hau et al. D14/239
D560,671 S * 1/2008 Muday et al. D14/451
D565,054 S * 3/2008 Anderson et al. D14/452
D565,399 S * 4/2008 Grey D8/380
D566,444 S * 4/2008 Grey D6/553
D570,355 S * 6/2008 Muday et al. D14/451
D570,852 S * 6/2008 Muday et al. D14/451
D576,632 S * 9/2008 Stenhouse et al. D14/451

* cited by examiner

Primary Examiner — Raphael Barkai

Assistant Examiner — Randall H Gholson

(74) *Attorney, Agent, or Firm* — Miller & Martin PLLC

(57) **CLAIM**

The ornamental design for the flat small audio visual wall mount, as shown and described.

DESCRIPTION

FIG. 1 is a front plan view of the flat small audio visual wall mount;

FIG. 2 is a right plan view of the flat small audio visual wall mount shown in FIG. 1;

FIG. 3 is a back plan view of the flat small audio visual wall mount shown in FIG. 1;

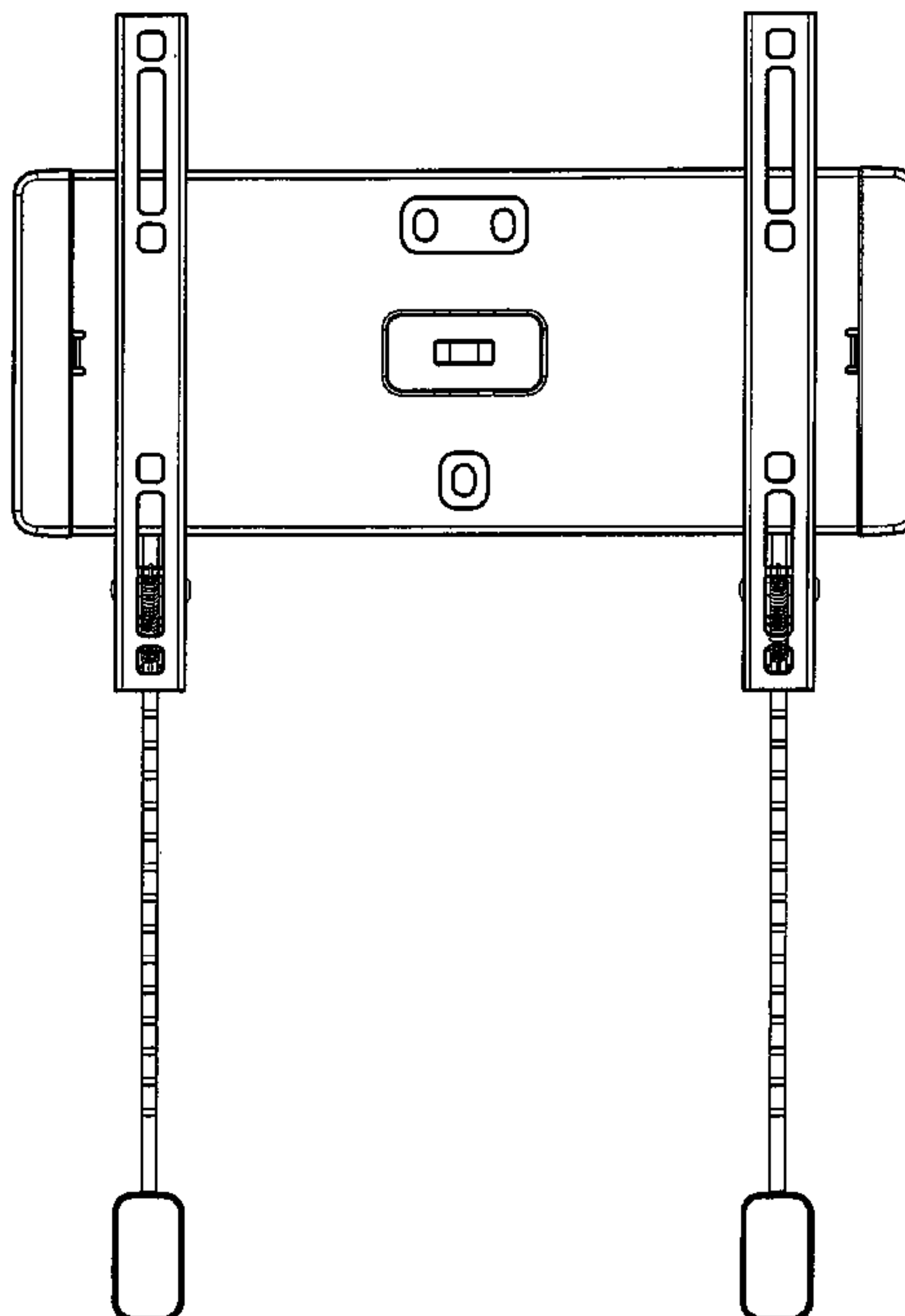
FIG. 4 is a top plan view of the flat small audio visual wall mount shown in FIG. 1;

FIG. 5 is a bottom plan view of the flat small audio visual wall mount shown in FIG. 1;

FIG. 6 is a top front left perspective view of the flat small audio visual wall mount shown in FIG. 1; and,

FIG. 7 is a top front right perspective view of the flat small audio visual wall mount shown in FIG. 1.

1 Claim, 7 Drawing Sheets



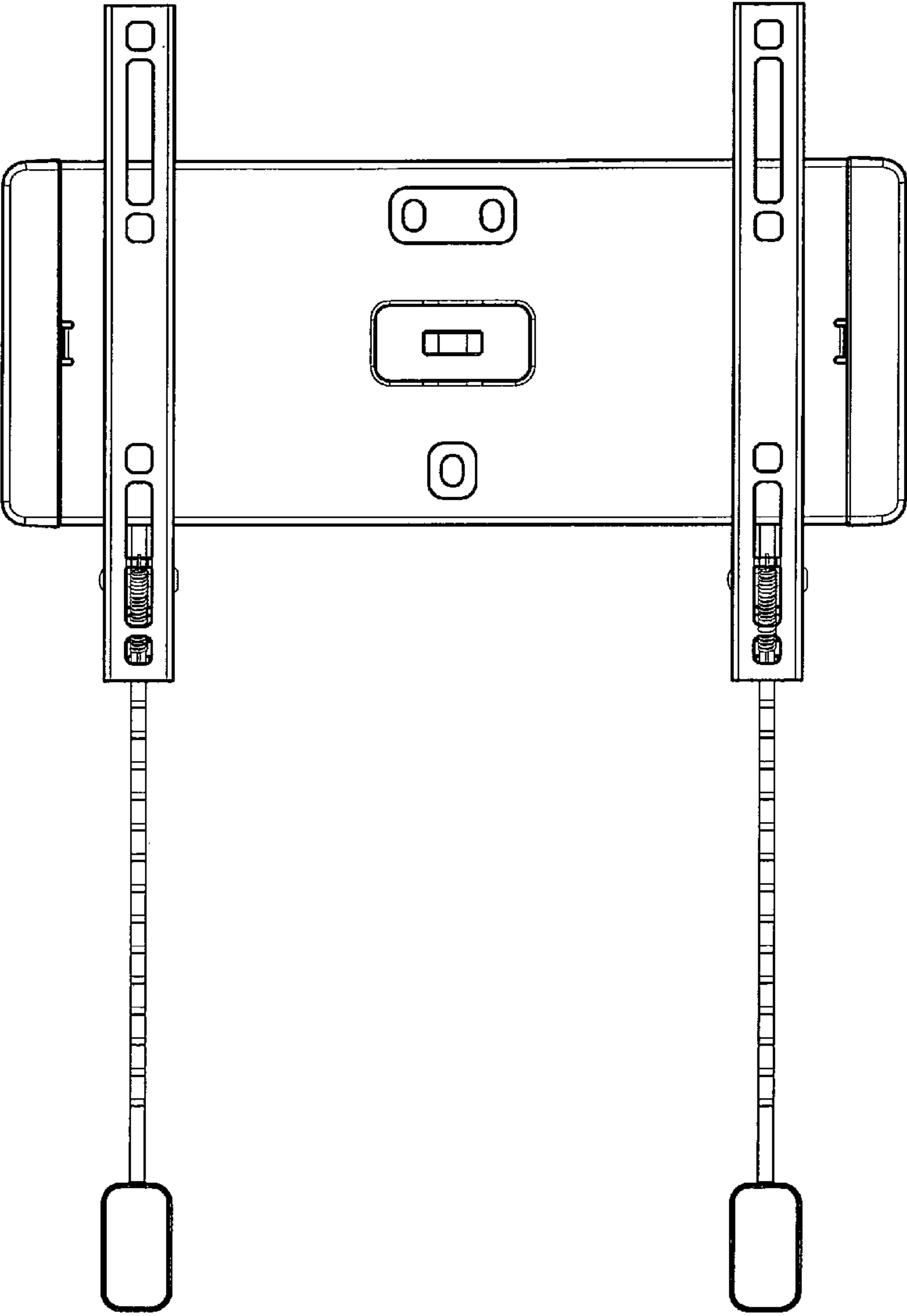


Figure 1

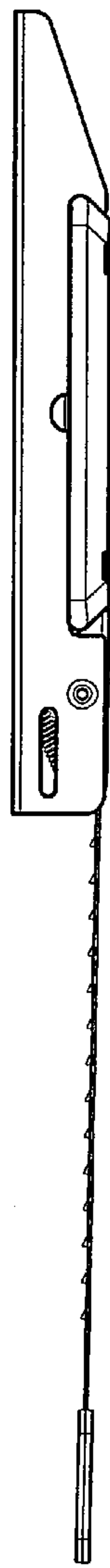


Figure 2

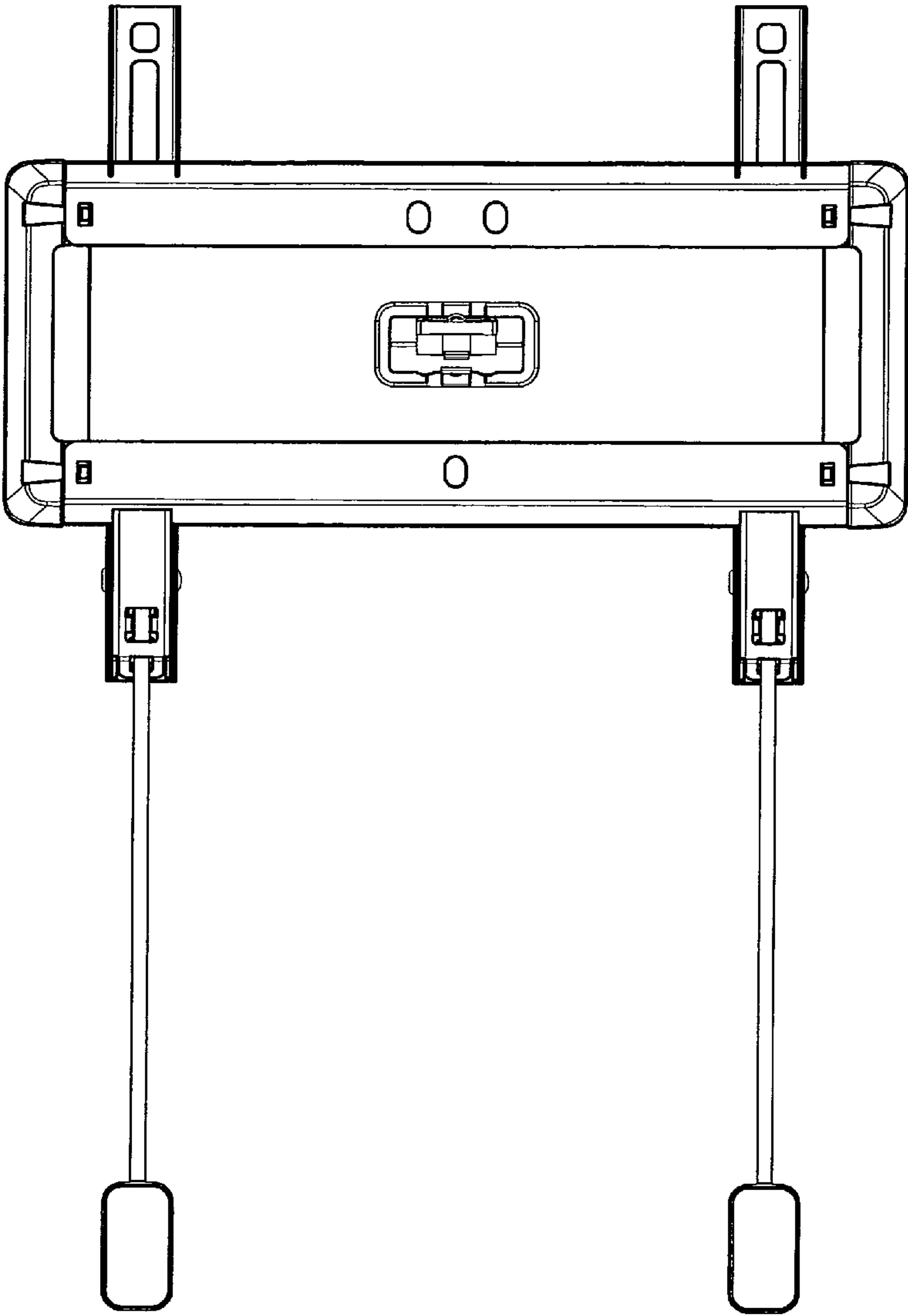


Figure 3

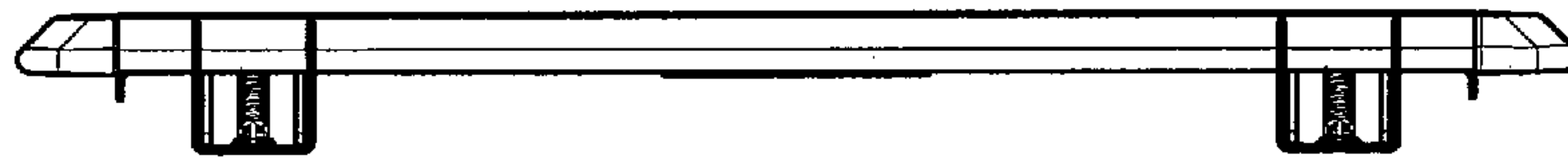


Figure 4

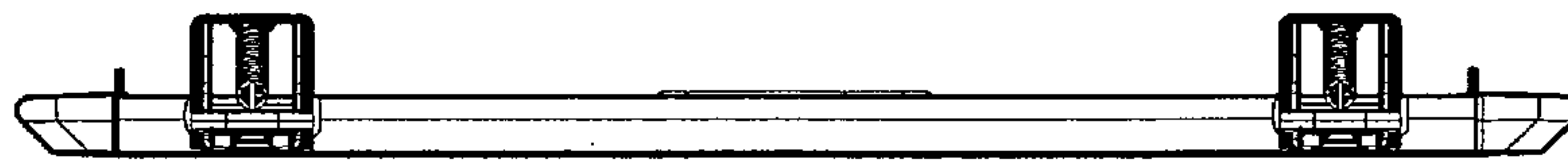


Figure 5

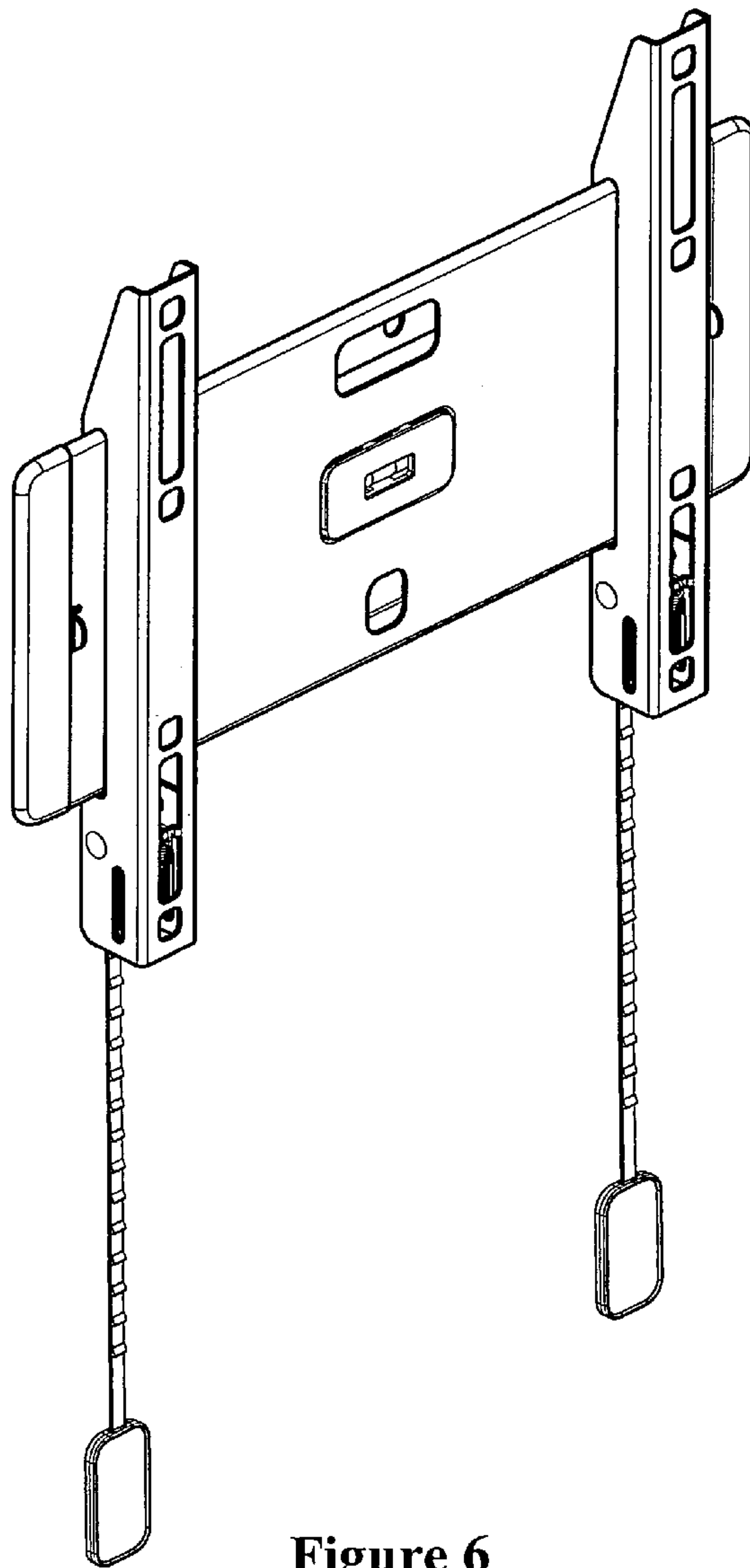


Figure 6

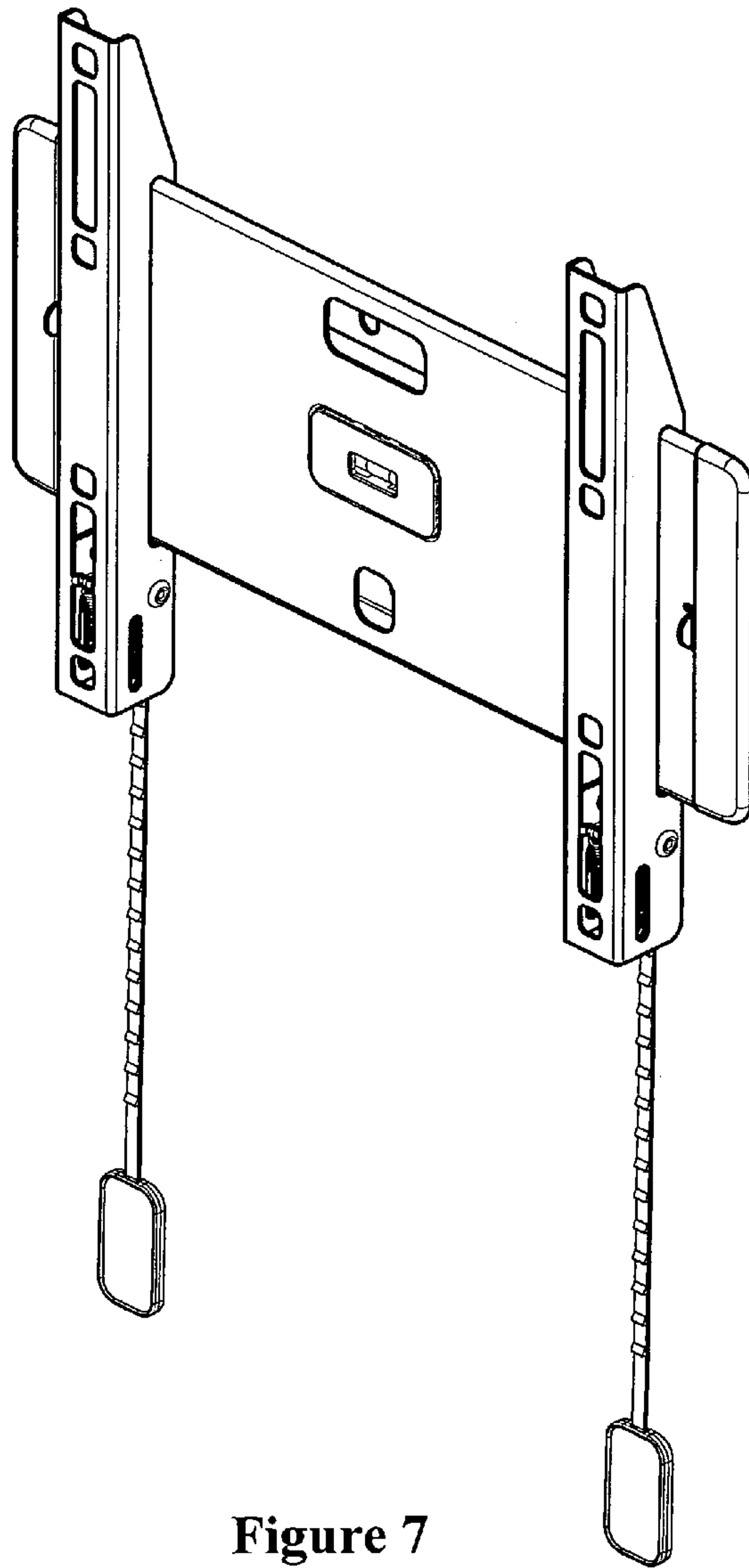


Figure 7