



US00D668637S

(12) **United States Design Patent**  
**Kitayama**

(10) **Patent No.:** **US D668,637 S**  
(45) **Date of Patent:** **\*\* Oct. 9, 2012**

(54) **EARPHONE**

(75) Inventor: **Sohei Kitayama**, Tokyo (JP)

(73) Assignee: **Sony Corporation**, Tokyo (JP)

(\*\*) Term: **14 Years**

(21) Appl. No.: **29/371,396**

(22) Filed: **Feb. 7, 2011**

**Related U.S. Application Data**

(63) Continuation of application No. 29/347,563, filed on Mar. 4, 2010, now Pat. No. Des. 632,282.

(30) **Foreign Application Priority Data**

Oct. 28, 2009 (JP) ..... D2009-025258  
Oct. 28, 2009 (JP) ..... D2009-025259  
Oct. 28, 2009 (JP) ..... D2009-025260  
Nov. 6, 2009 (JP) ..... D2009-026022  
Nov. 6, 2009 (JP) ..... D2009-026023  
Jan. 29, 2010 (CN) ..... 2010 3 0114246

(51) **LOC (9) Cl.** ..... **14-01**

(52) **U.S. Cl.** ..... **D14/223**

(58) **Field of Classification Search** ..... D14/205,  
D14/206, 223; 181/129, 130, 135; 379/430,  
379/420.04; 381/380, 381, 328, 324, 382;  
D24/174, 106; 128/864, 865; 455/90.3,  
455/575.1, 575.2, 351

See application file for complete search history.

(56) **References Cited**

**U.S. PATENT DOCUMENTS**

D267,429 S \* 12/1982 Harada ..... D24/174  
4,375,016 A \* 2/1983 Harada ..... 181/135  
4,471,490 A \* 9/1984 Bellafore ..... 381/324  
D340,286 S \* 10/1993 Seo ..... D24/174  
D353,379 S 12/1994 Nakamura et al.  
D355,702 S \* 2/1995 Johnson ..... D23/209  
D377,796 S 2/1997 Hayashi  
D402,661 S 12/1998 Hayashi

6,690,807 B1 \* 2/2004 Meyer ..... 381/327  
D508,483 S 8/2005 Suzuki  
D518,474 S 4/2006 Suzuki  
D556,326 S \* 11/2007 Espersen ..... D24/174  
7,349,550 B2 \* 3/2008 Oliveira et al. .... 381/380  
D587,241 S \* 2/2009 Suzuki ..... D14/205  
D587,243 S \* 2/2009 Suzuki ..... D14/205  
D589,151 S \* 3/2009 Sabio ..... D24/174  
D589,498 S 3/2009 Komiyama  
7,570,777 B1 \* 8/2009 Taenzer et al. .... 381/381  
D601,548 S \* 10/2009 Morisawa ..... D14/223  
D602,905 S \* 10/2009 Morisawa ..... D14/205  
D632,282 S \* 2/2011 Kitayama ..... D14/223  
D633,472 S 3/2011 Hirano et al.  
D633,899 S \* 3/2011 Zheng et al. .... D14/223  
D634,730 S 3/2011 Kitayama  
D635,574 S 4/2011 Morisawa

(Continued)

**FOREIGN PATENT DOCUMENTS**

JP D1337832 S 8/2008

(Continued)

*Primary Examiner* — Paula Greene

(74) *Attorney, Agent, or Firm* — Rader, Fishman & Grauer PLLC

(57) **CLAIM**

The ornamental design for an earphone, as shown and described.

**DESCRIPTION**

FIG. 1 is a perspective view of an earphone showing my new design;

FIG. 2 is a front elevational view thereof;

FIG. 3 is a rear elevational view thereof;

FIG. 4 is a left side elevational view thereof;

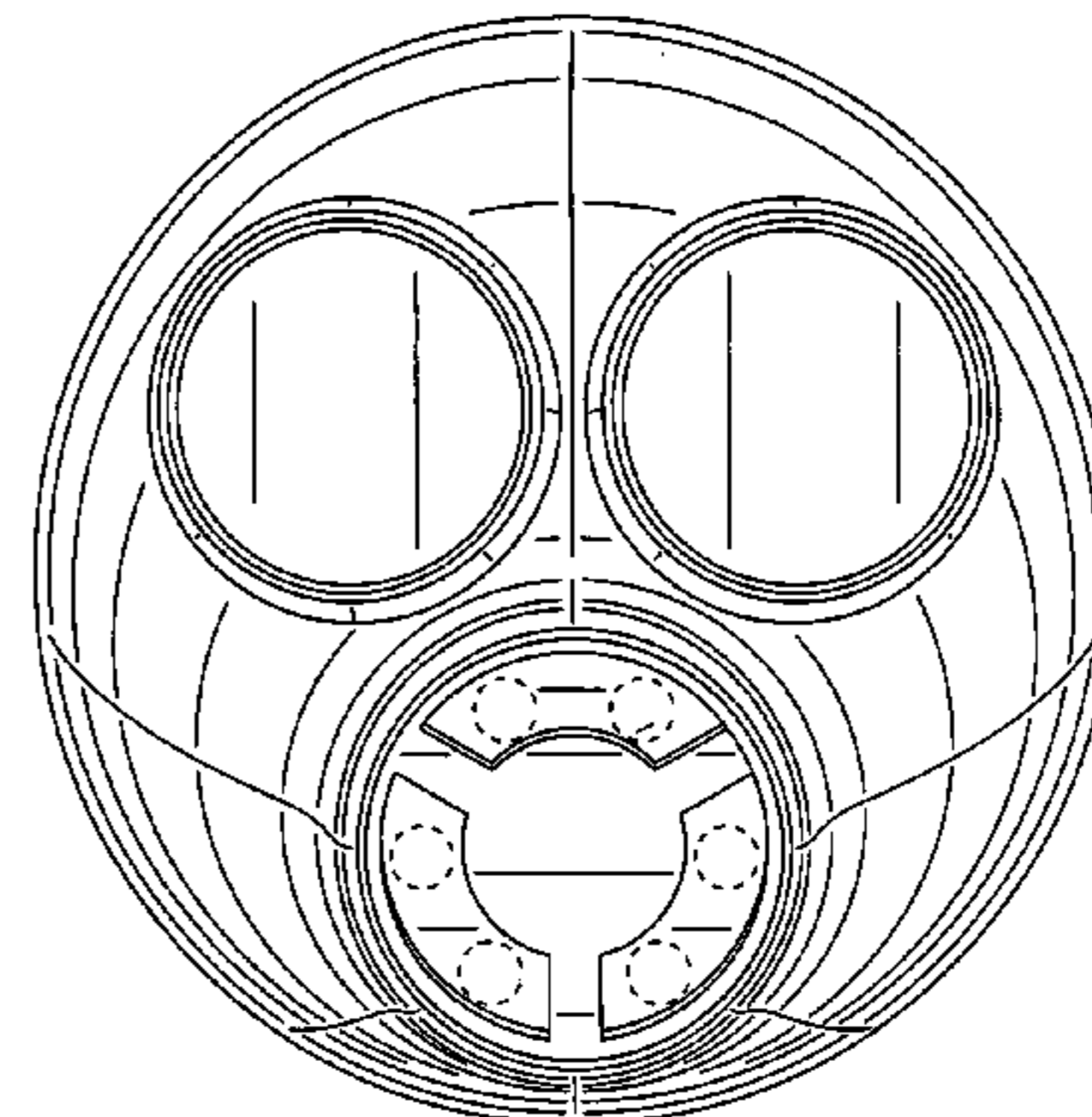
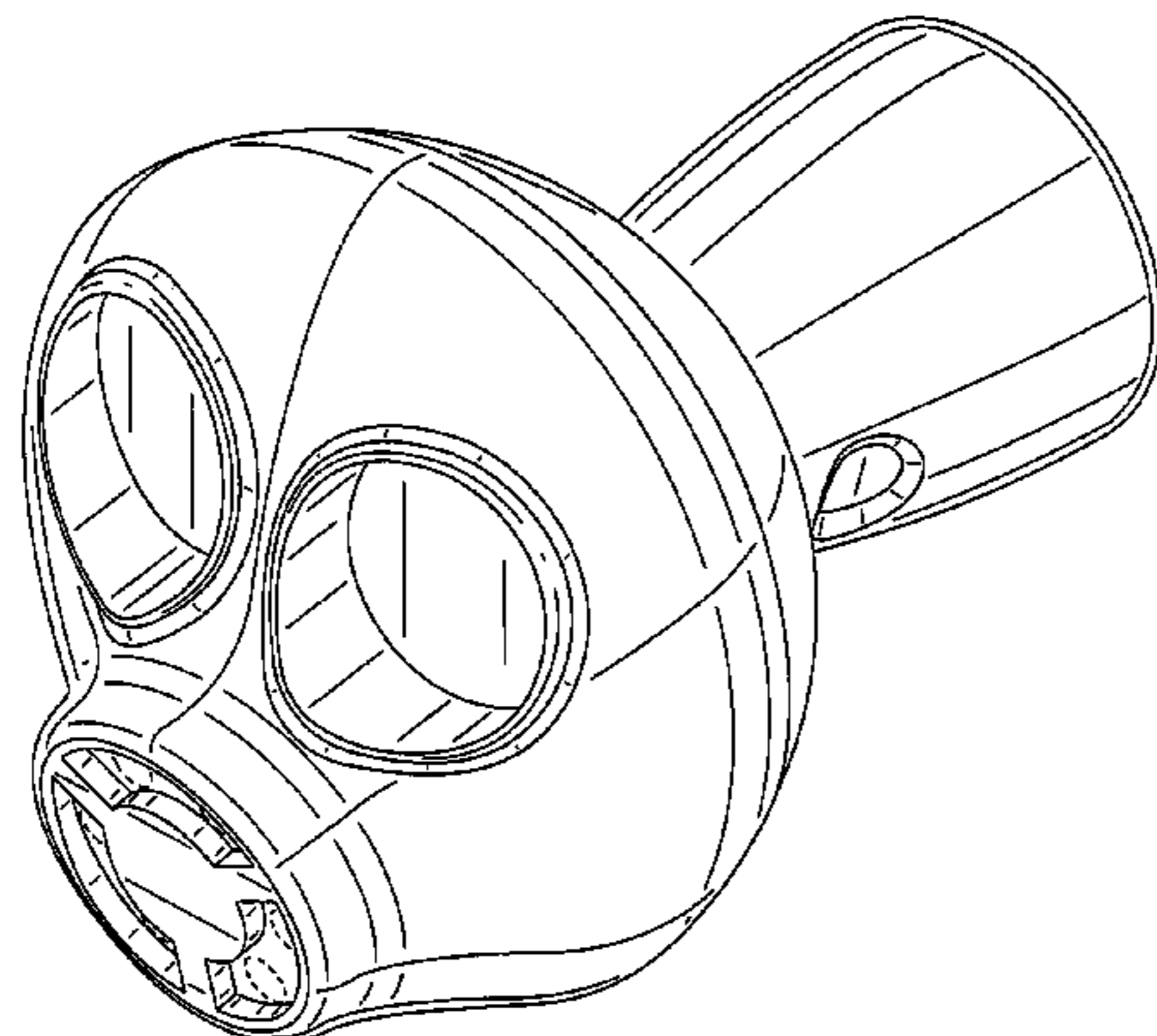
FIG. 5 is a right side elevational view thereof;

FIG. 6 is a top plan view thereof; and,

FIG. 7 is a bottom plan view thereof.

Portions in broken lines are for illustrative purposes only and form no part of the claimed design.

**1 Claim, 4 Drawing Sheets**



# US D668,637 S

Page 2

---

## U.S. PATENT DOCUMENTS

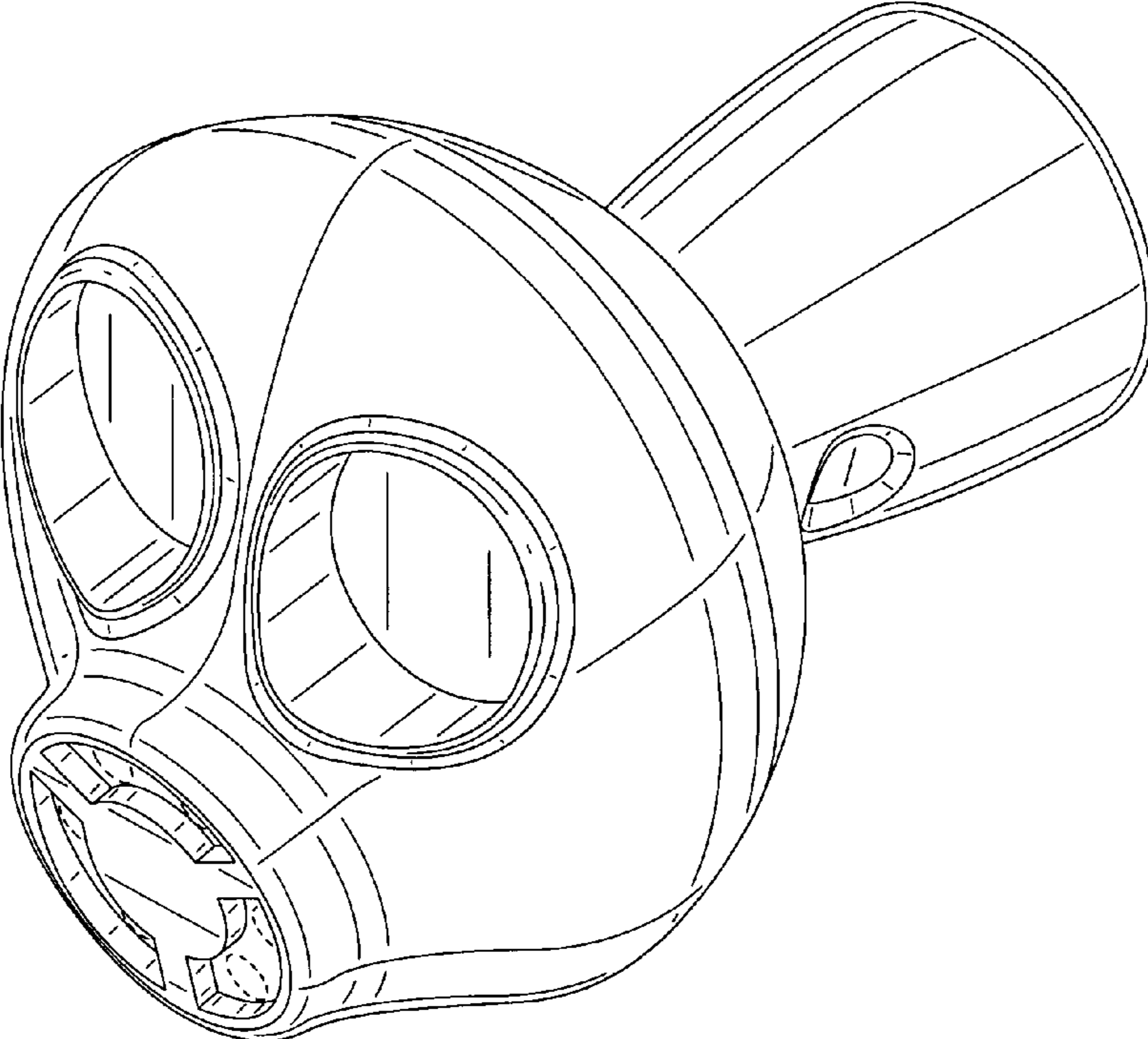
D635,957 S *	4/2011	Hirano et al. ....	D14/205
D636,377 S *	4/2011	Morisawa .....	D14/205
7,965,855 B1 *	6/2011	Ham .....	381/380
8,111,864 B2 *	2/2012	Oliveira et al. ....	381/381
8,116,495 B2 *	2/2012	Spaulding .....	381/328

## FOREIGN PATENT DOCUMENTS

JP	D1337833 S	8/2008
JP	D1342066 S	11/2008
JP	D1345789 S	12/2008

\* cited by examiner

FIG.1



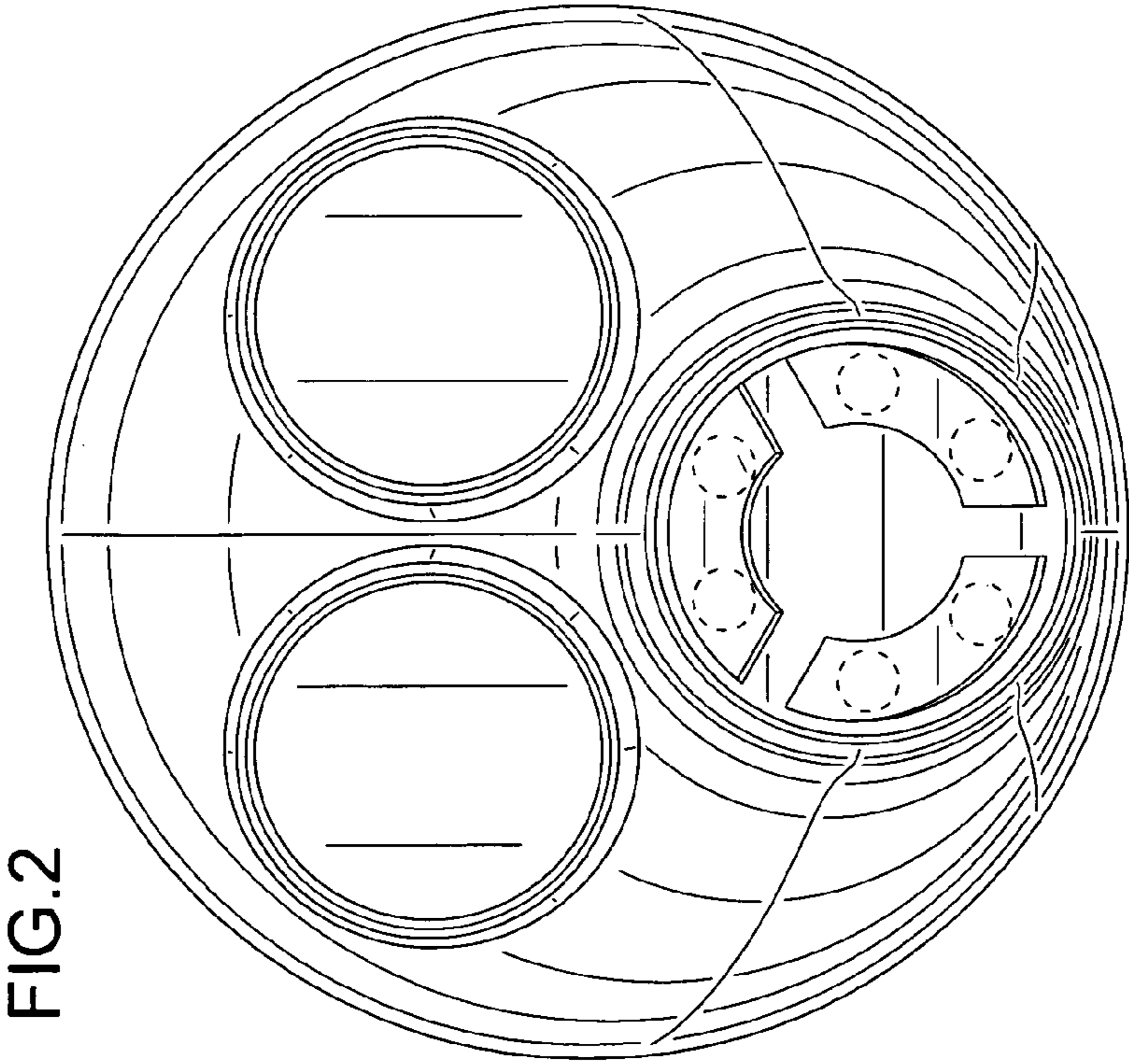
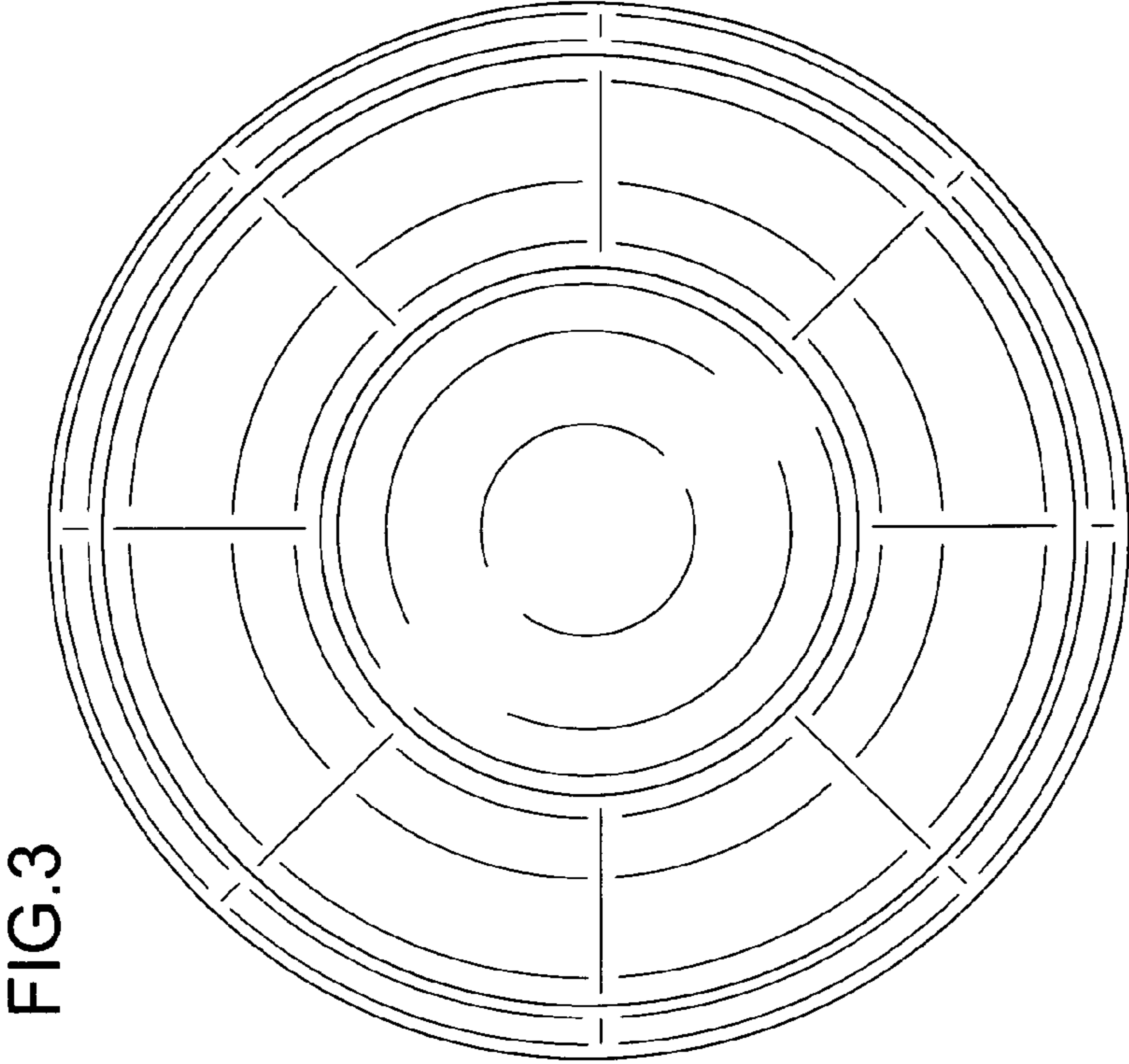


FIG.3

FIG.2

FIG.4

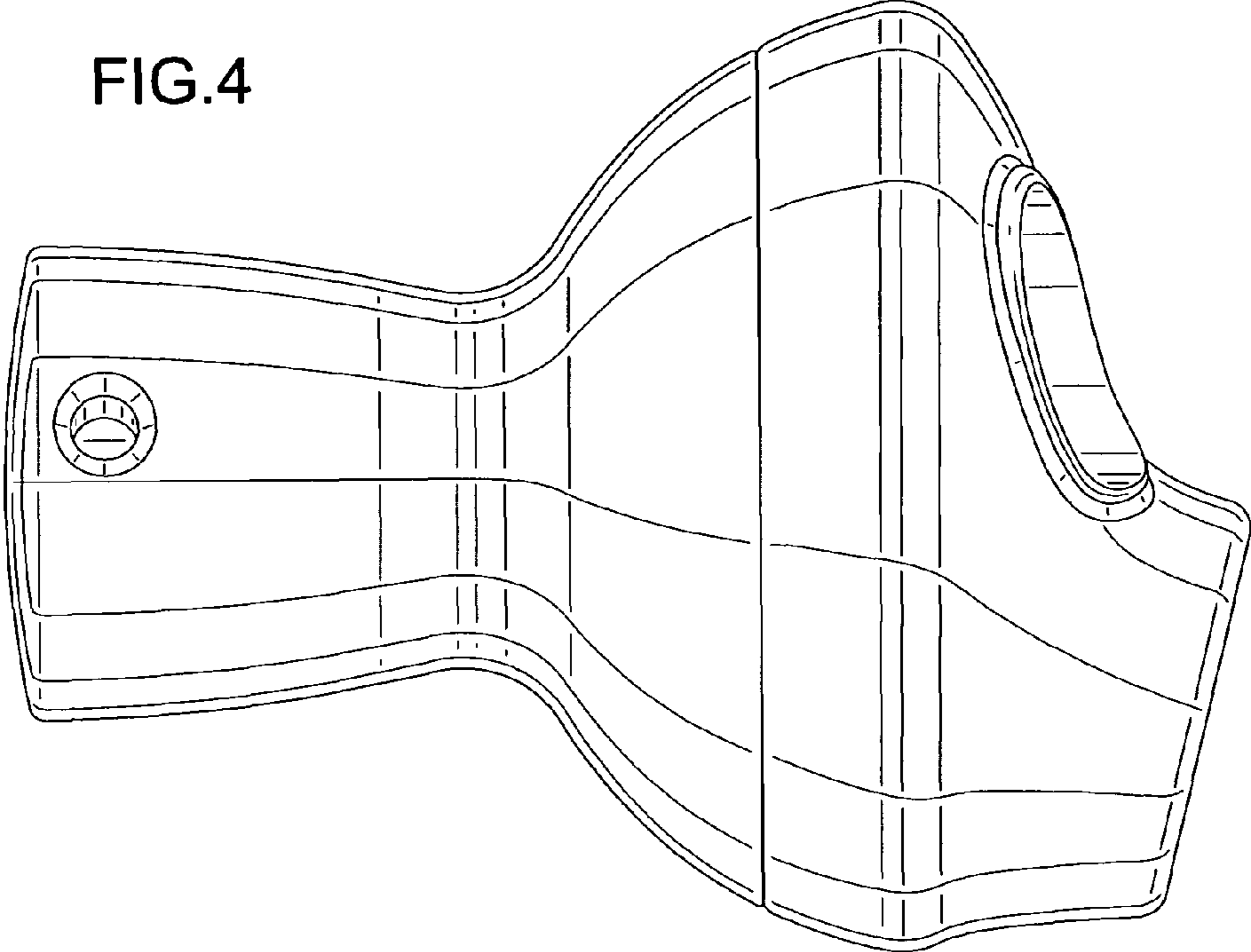
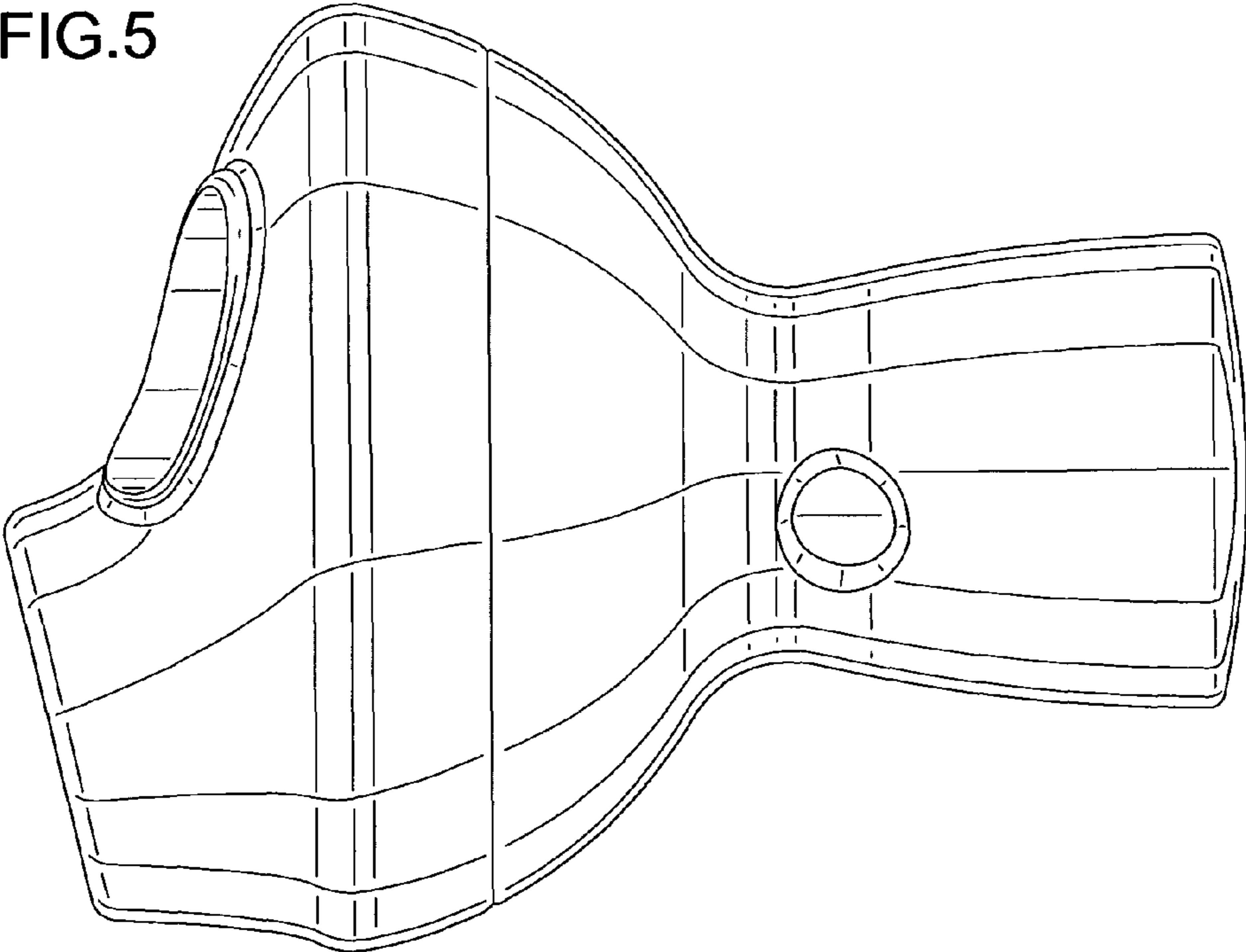


FIG.5



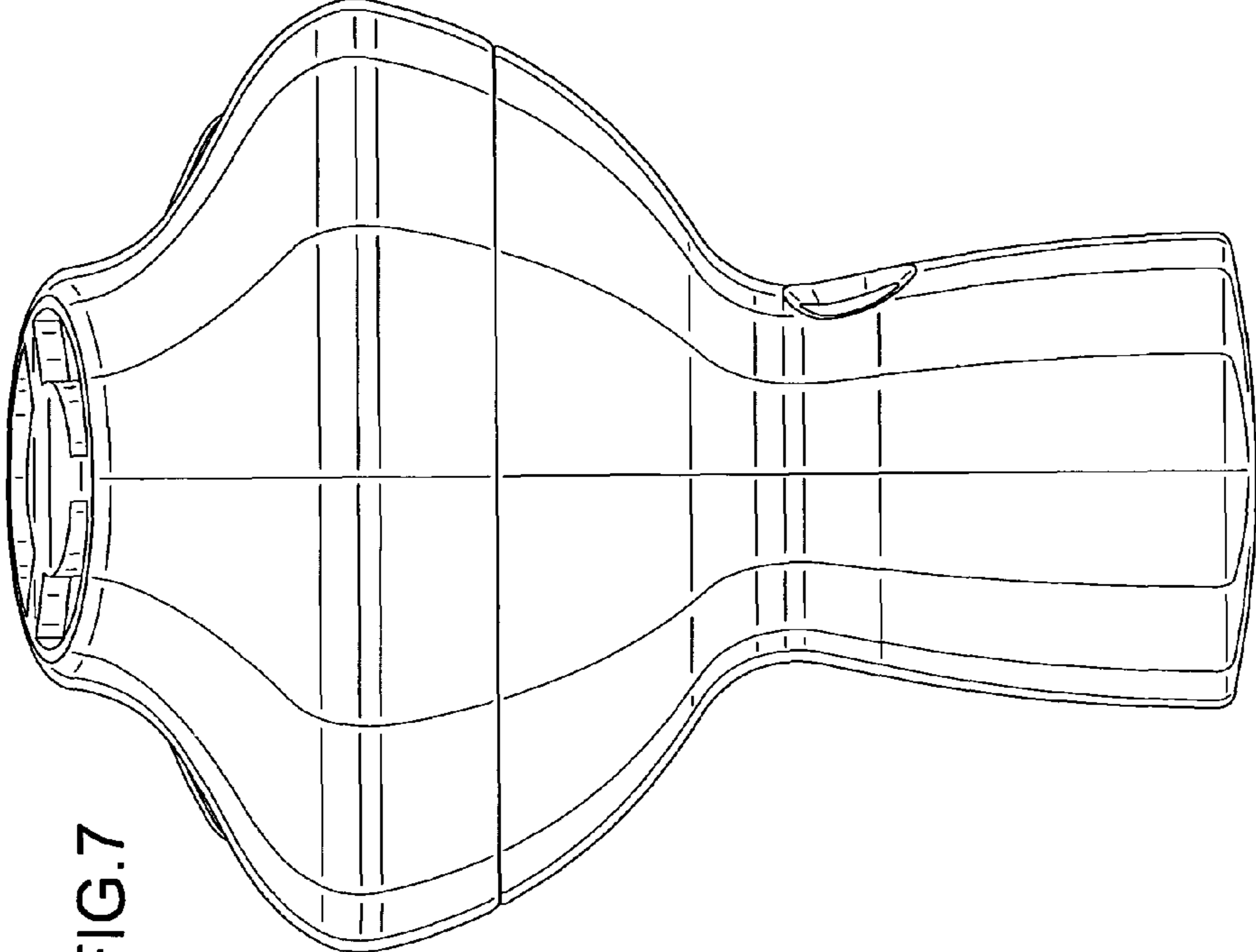


FIG. 7

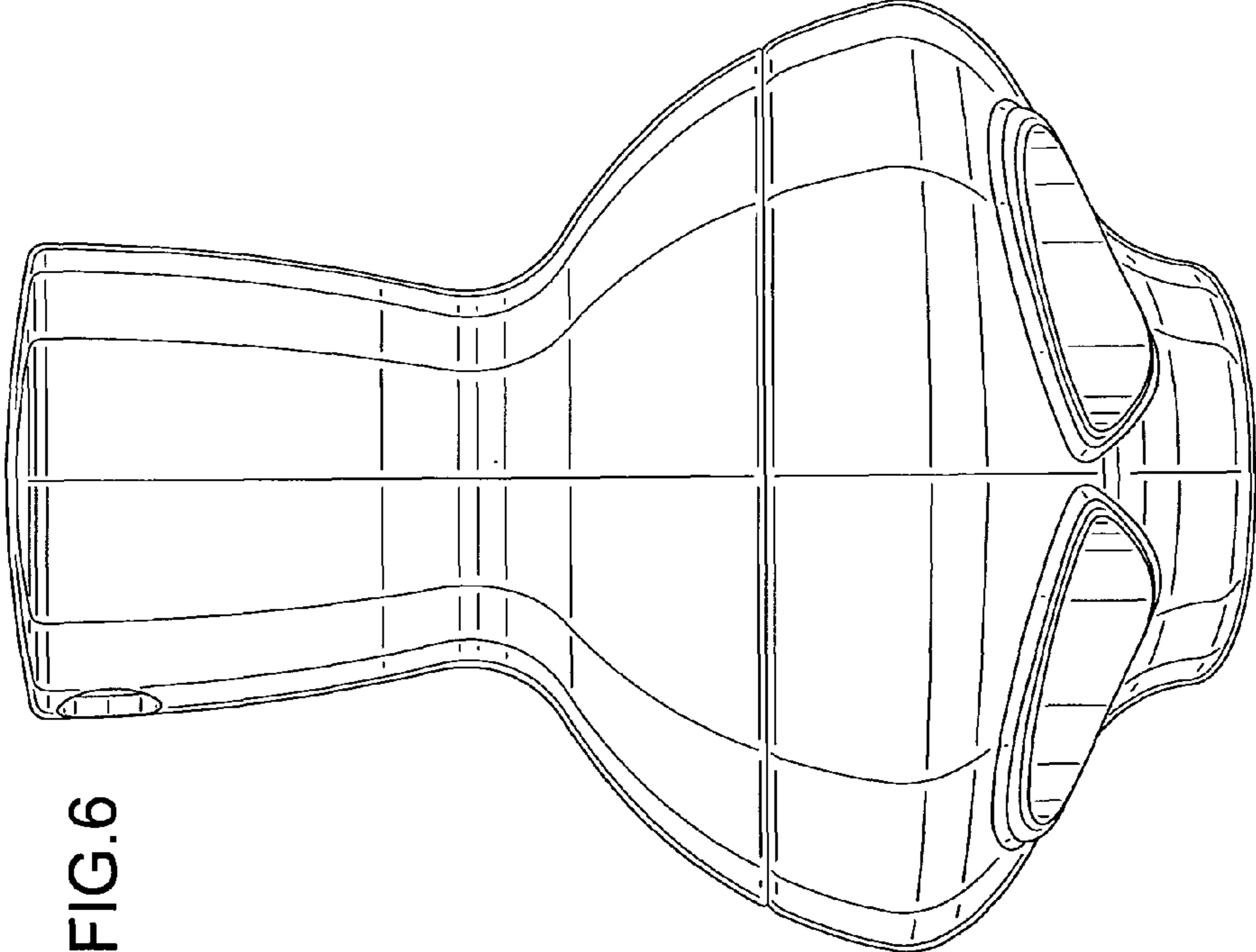


FIG. 6