

US00D668635S

(12) **United States Design Patent**
Endo et al.

(10) **Patent No.:** **US D668,635 S**
(45) **Date of Patent:** **** Oct. 9, 2012**

(54) **SPEAKER FOR A VEHICLE**
(75) Inventors: **Hideki Endo**, Yokohama (JP); **Takayuki Horie**, Komae (JP)
(73) Assignee: **Alpine Electronics, Inc.**, Tokyo (JP)
(**) Term: **14 Years**
(21) Appl. No.: **29/373,953**
(22) Filed: **Jun. 14, 2011**

(30) **Foreign Application Priority Data**
Dec. 14, 2010 (JP) 2010-029693
(51) **LOC (9) Cl.** **14-01**
(52) **U.S. Cl.** **D14/216**
(58) **Field of Classification Search** D14/204,
D14/209-216, 219, 220; 181/143, 144, 147,
181/148, 150, 151, 198, 199, 153; 381/330-302,
381/306, 333, 345, 361-364, 386-388, 332,
381/336
See application file for complete search history.

(56) **References Cited**
U.S. PATENT DOCUMENTS
1,666,303 A * 4/1928 Platt 109/21.5
4,837,839 A * 6/1989 Andrews 381/182
4,965,837 A * 10/1990 Murayama et al. 381/186
4,972,675 A * 11/1990 Kawahara et al. 60/488
D422,206 S * 4/2000 Clark D8/400
D542,779 S * 5/2007 Pantaleone D14/216

D565,032 S 3/2008 Iwamoto
D579,916 S * 11/2008 Ichikawa D14/216
D593,072 S 5/2009 Ichikawa et al.
D593,542 S * 6/2009 Kurihara D14/216
D596,620 S * 7/2009 Ichikawa et al. D14/216
D608,345 S * 1/2010 Oishi et al. D14/216
D608,764 S * 1/2010 Oishi et al. D14/216
D635,551 S * 4/2011 Wada D14/216
D635,553 S * 4/2011 Yagihashi et al. D14/216

* cited by examiner

Primary Examiner — Prabhakar Deshmukh
(74) *Attorney, Agent, or Firm* — Brinks Hofer Gilson & Lione

(57) **CLAIM**
The ornamental design for a speaker for a vehicle, as shown and described.

DESCRIPTION

FIG. 1 is a perspective view of a speaker for a vehicle showing our new, original and ornamental design;
FIG. 2 is a top view thereof;
FIG. 3 is a front view thereof;
FIG. 4 is a right side view thereof;
FIG. 5 is a left side view thereof;
FIG. 6 is a rear view thereof;
FIG. 7 is a bottom view thereof; and,
FIG. 8 is a perspective view thereof, shown for reference purposes without the speaker net.
The broken lines are for environmental purposes only and do not form any part of the claimed design.

1 Claim, 5 Drawing Sheets

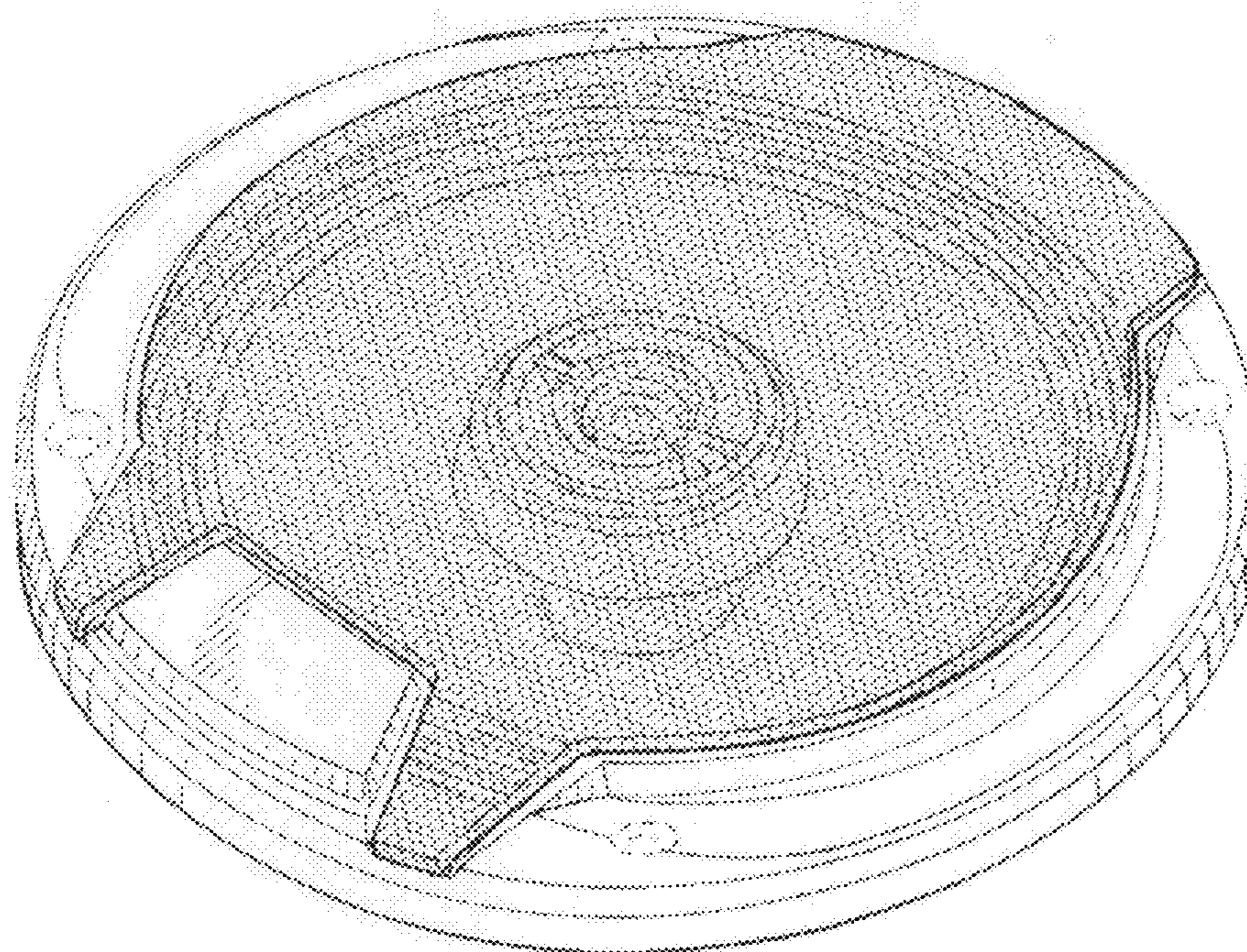


FIG. 1

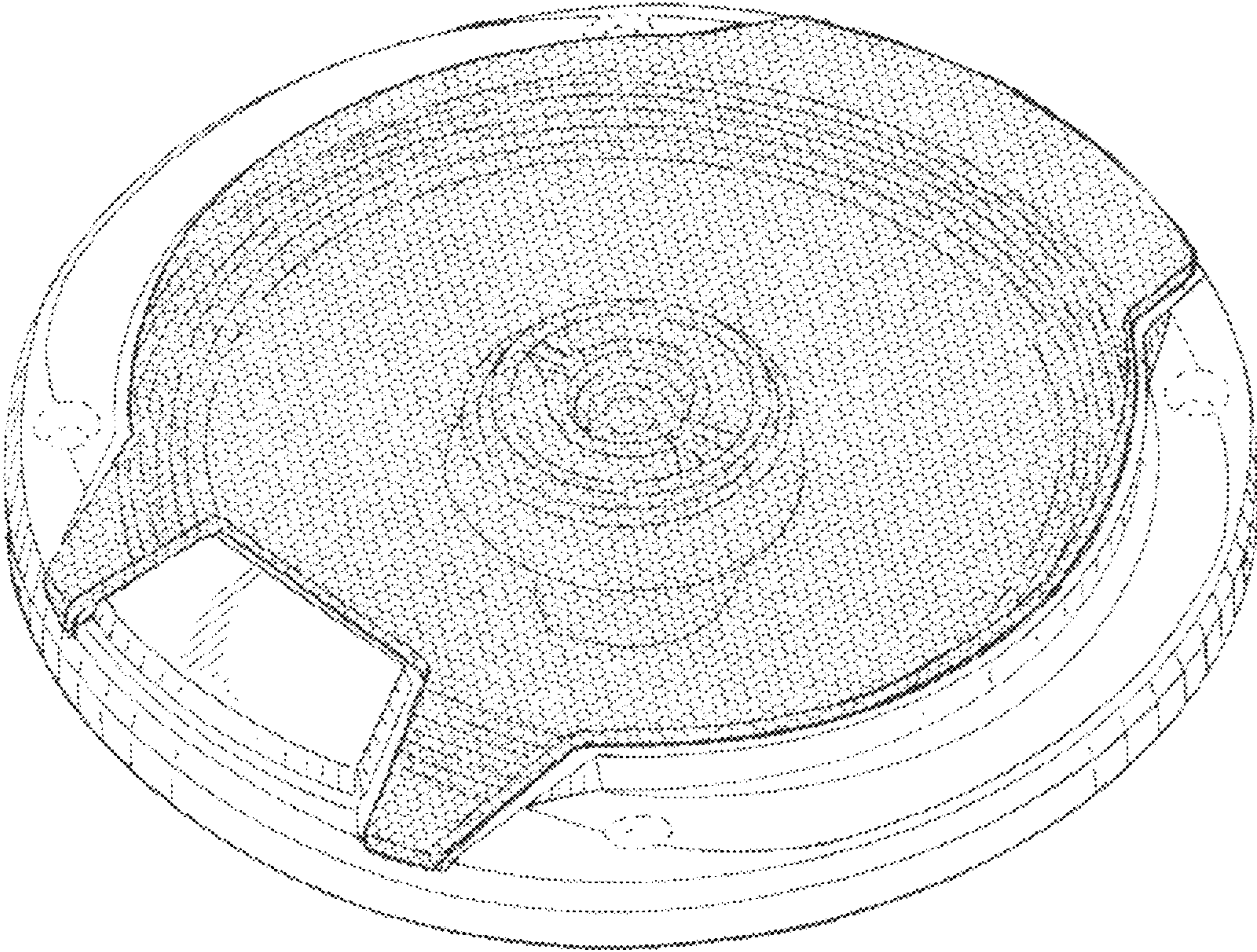


FIG. 2

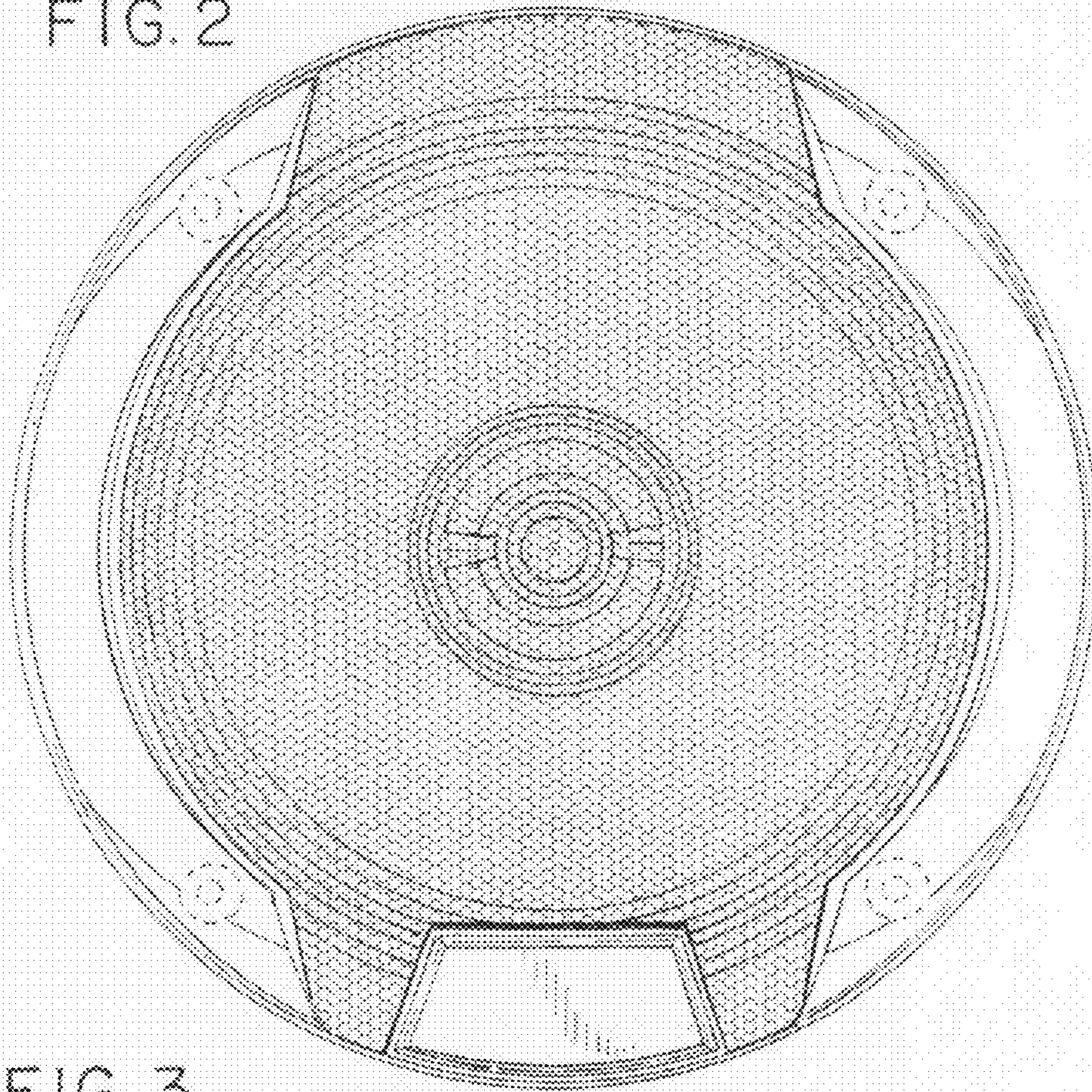


FIG. 3

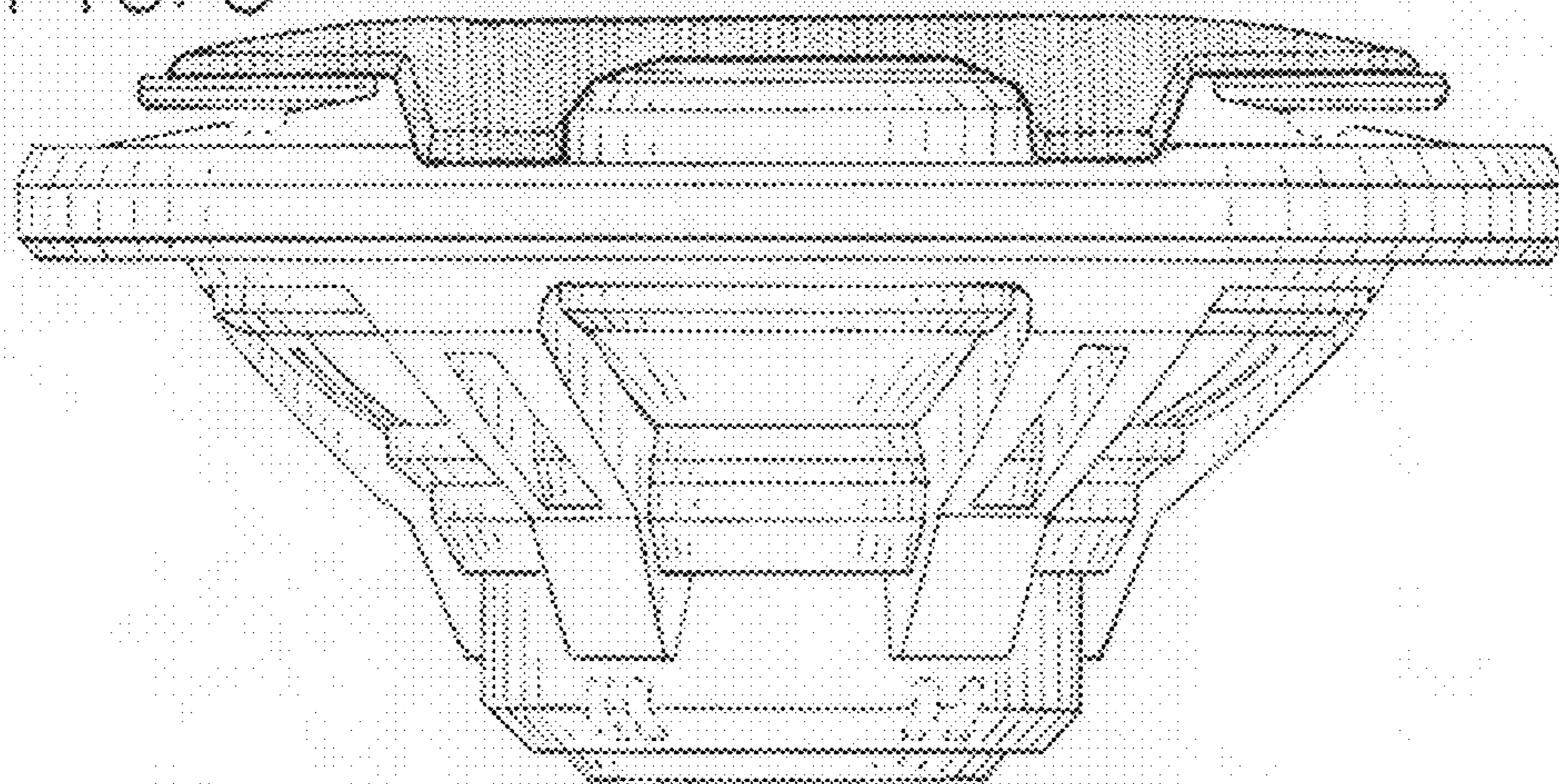


FIG. 4

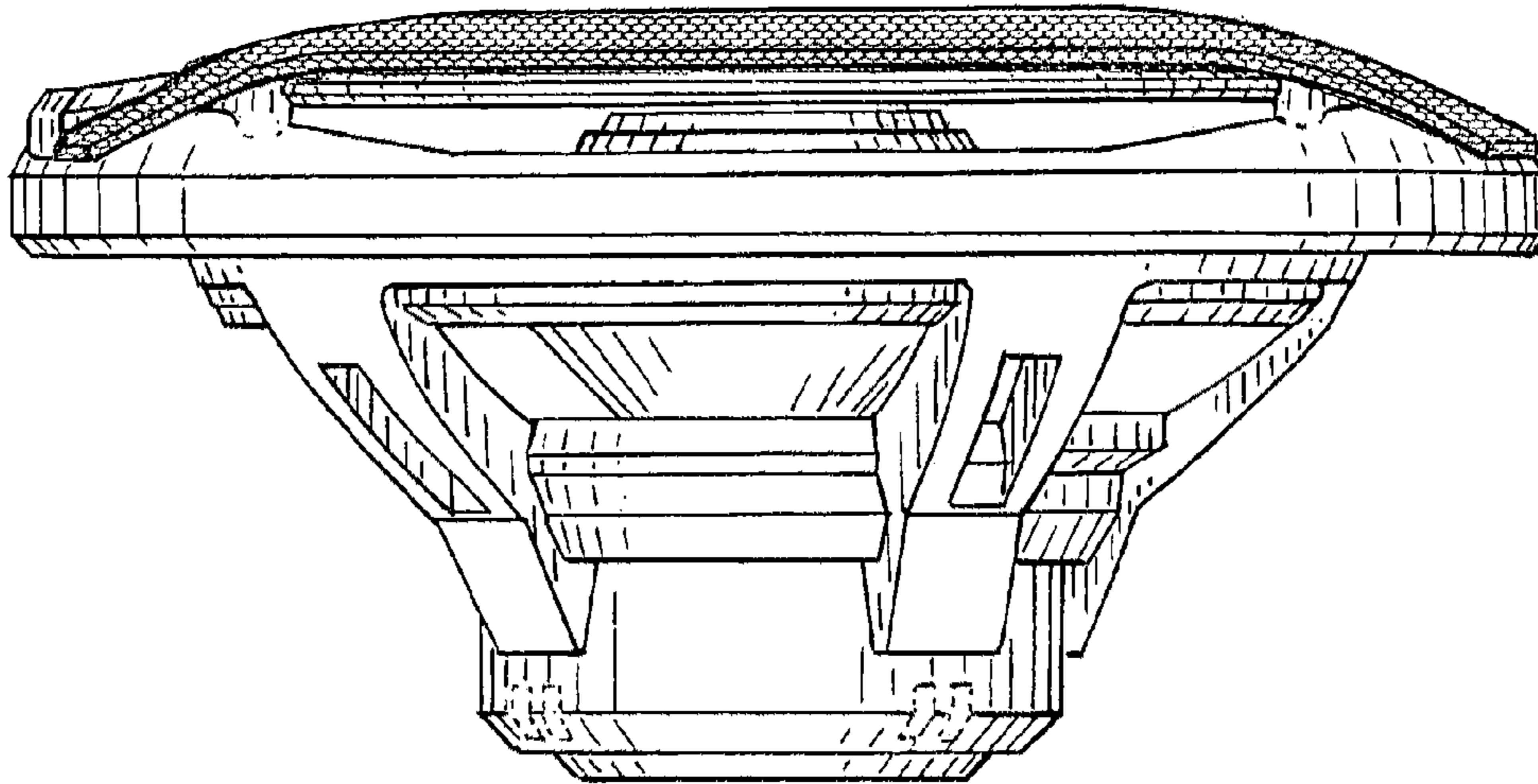


FIG. 5

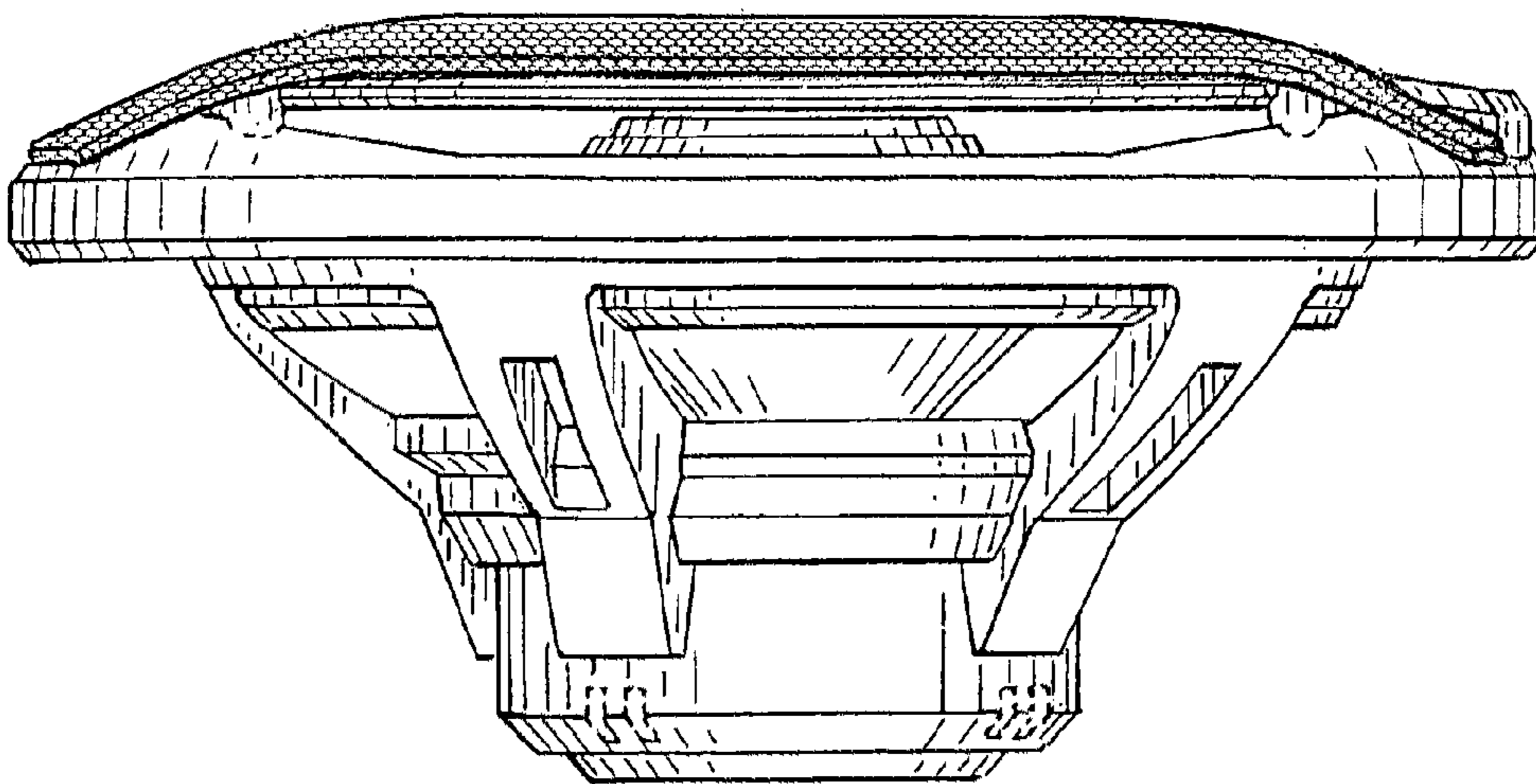


FIG. 6

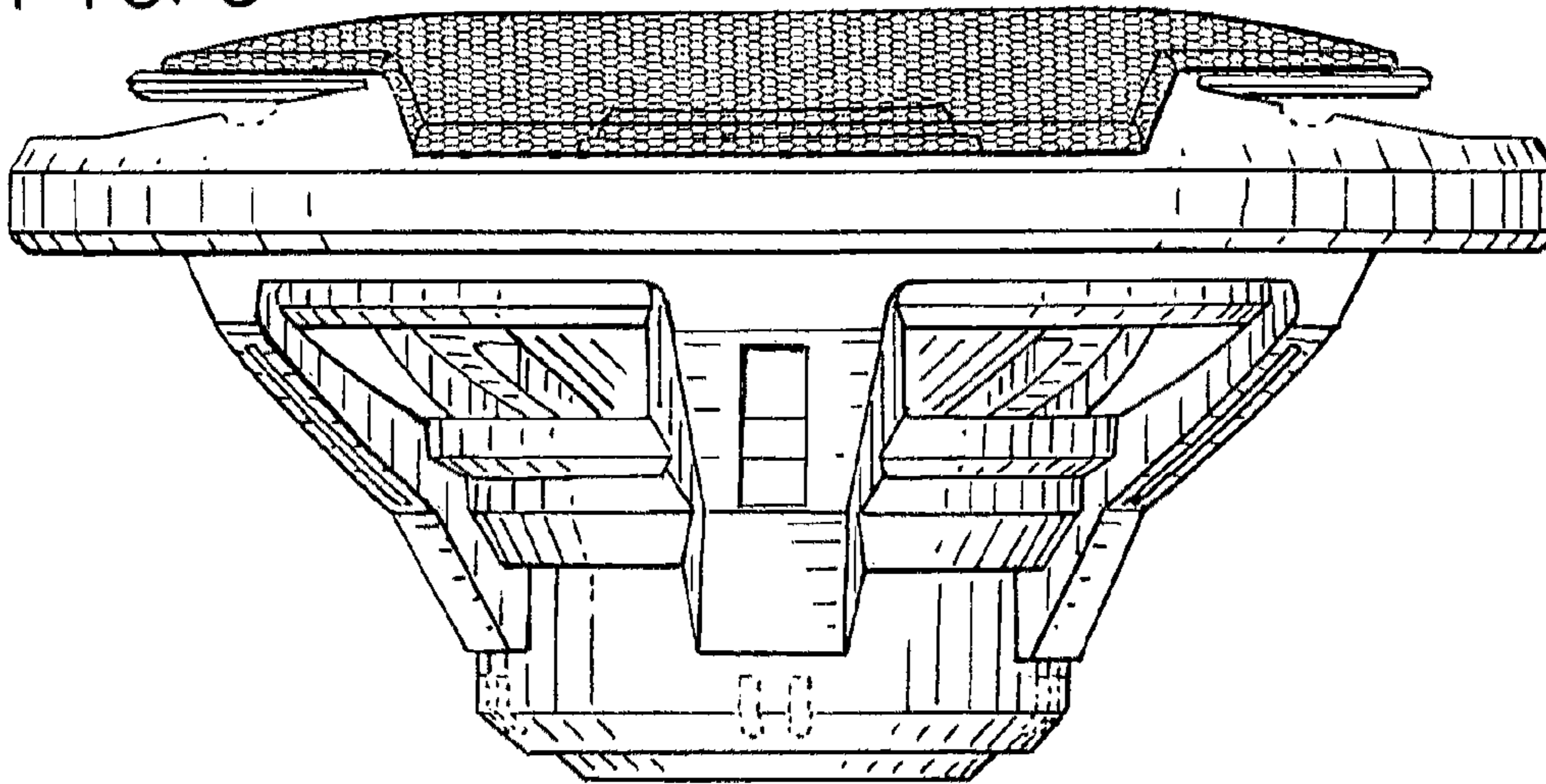


FIG. 7

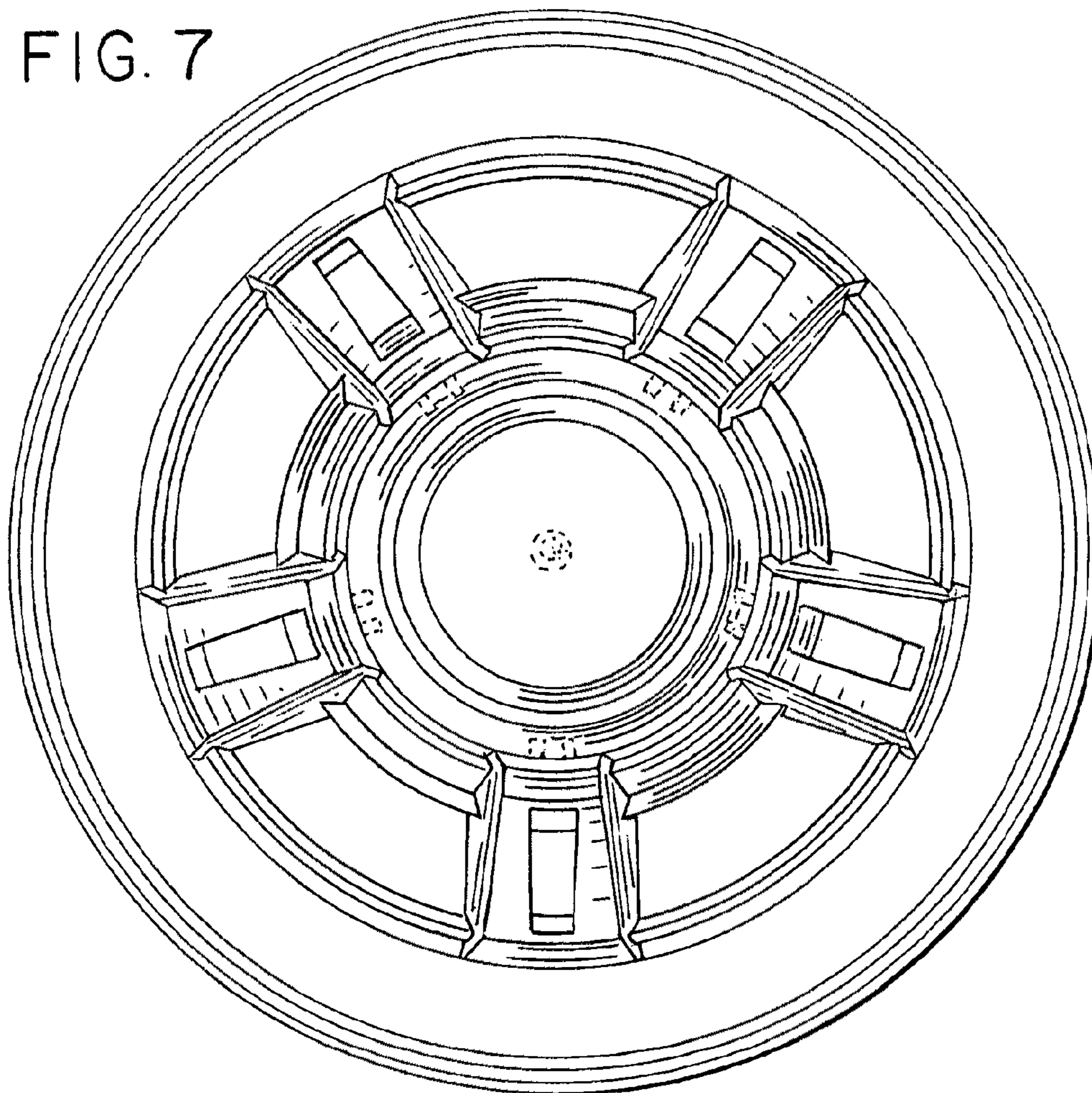


FIG. 8

