



US00D668631S

(12) **United States Design Patent**
Katsumata et al.

(10) **Patent No.:** **US D668,631 S**
(45) **Date of Patent:** **** Oct. 9, 2012**

(54) **EARPHONE**

(75) Inventors: **Jun Katsumata**, Tokyo (JP); **So Morimoto**, Tokyo (JP); **Satoshi Suzuki**, Tokyo (JP)

(73) Assignee: **Sony Corporation**, Tokyo (JP)

(**) Term: **14 Years**

(21) Appl. No.: **29/371,902**

(22) Filed: **Jan. 11, 2012**

Related U.S. Application Data

(63) Continuation of application No. 29/371,266, filed on Dec. 16, 2010, now Pat. No. Des. 653,243.

(30) **Foreign Application Priority Data**

Jun. 18, 2010 (JP) D2010-015084
Jun. 18, 2010 (JP) D2010-015088
Jun. 18, 2010 (JP) D2010-015089

(51) **LOC (9) Cl.** **14-01**

(52) **U.S. Cl.** **D14/205**

(58) **Field of Classification Search** D14/205,
D14/206, 223, 217, 251, 256, 432, 433; 181/129,
181/130, 135; 381/380, 381; 385/83, 89;
174/135; D13/154

See application file for complete search history.

(56) **References Cited**

U.S. PATENT DOCUMENTS

2,550,358 A 4/1951 Le Grand
3,051,774 A 8/1962 Schelke

(Continued)

FOREIGN PATENT DOCUMENTS

JP D1194402 S 1/2004

(Continued)

Primary Examiner — Paula Greene

(74) *Attorney, Agent, or Firm* — Rader, Fishman & Grauer PLLC

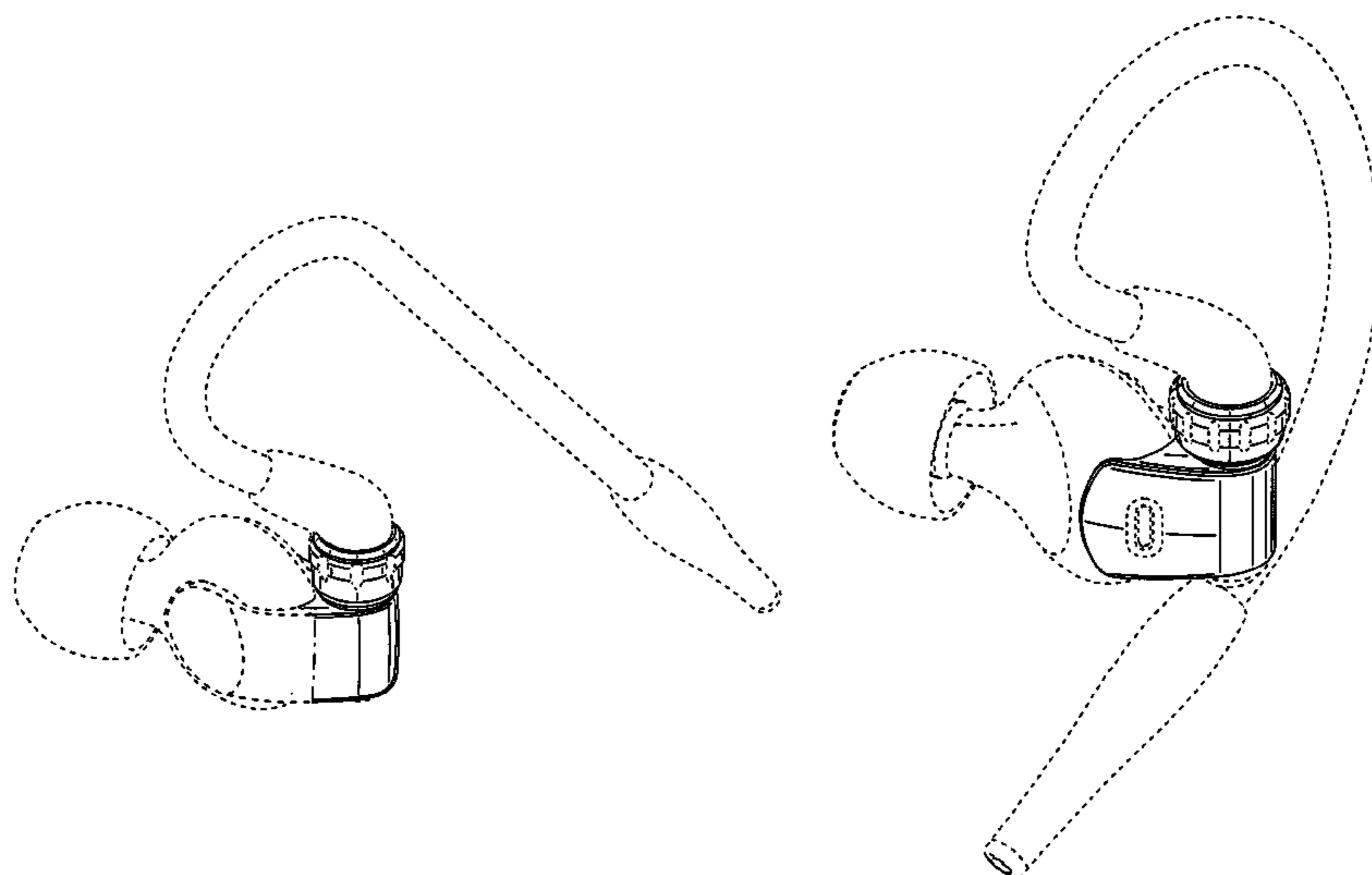
(57) **CLAIM**

The ornamental design for an earphone, as shown and described.

DESCRIPTION

FIG. 1 is a front, top, right perspective view of a first embodiment of an earphone showing our new design;
FIG. 2 is a front, top, left perspective view thereof;
FIG. 3 is a front elevational view thereof;
FIG. 4 is a rear elevational view thereof;
FIG. 5 is a left side elevational view thereof;
FIG. 6 is a right side elevational view thereof;
FIG. 7 is a top plan view thereof; and
FIG. 8 is a bottom plan view thereof.
FIG. 9 is a front, top, right perspective view of a second embodiment of an earphone showing our new design;
FIG. 10 is a front, top, left perspective view thereof;
FIG. 11 is a front elevational view thereof;
FIG. 12 is a rear elevational view thereof;
FIG. 13 is a left side elevational view thereof;
FIG. 14 is a right side elevational view thereof;
FIG. 15 is a top plan view thereof; and
FIG. 16 is a bottom plan view thereof.
FIG. 17 is a front, top, right perspective view of a third embodiment of an earphone showing our new design;
FIG. 18 is a front, top, left perspective view thereof;
FIG. 19 is a front elevational view thereof;
FIG. 20 is a rear elevational view thereof;
FIG. 21 is a left side elevational view thereof;
FIG. 22 is a right side elevational view thereof;
FIG. 23 is a top plan view thereof; and,
FIG. 24 is a bottom plan view thereof.
The portions indicated in broken lines are for illustrative purposes only and form no part of the claimed design. Dot-dash broken lines define the boundaries of, but are not included in, the claimed design.

1 Claim, 18 Drawing Sheets



US D668,631 S

Page 2

U.S. PATENT DOCUMENTS

3,141,251 A * 7/1964 Olson et al. 38/90
3,953,097 A 4/1976 Graham
4,026,621 A 5/1977 Korba
4,652,082 A 3/1987 Warner
4,730,855 A 3/1988 Pelletier
4,758,171 A 7/1988 Hey
D312,813 S 12/1990 Takizawa
D337,989 S 8/1993 Lee
5,233,677 A 8/1993 Winslow
5,273,444 A 12/1993 Down et al.
5,915,995 A 6/1999 Meyer et al.
5,963,690 A 10/1999 Cheng
D431,553 S * 10/2000 Suzuki D14/223
D435,830 S 1/2001 Cheng
D454,115 S 3/2002 Zemba
D472,890 S 4/2003 Suzuki
D474,171 S * 5/2003 Suzuki D14/206
6,768,057 B2 7/2004 Blake
D495,684 S 9/2004 Hirano
D504,672 S 5/2005 Hirano
D510,085 S 9/2005 Suzuki
D512,992 S 12/2005 Murakami
D515,069 S 2/2006 Naito

D539,268 S * 3/2007 Suzuki D14/206
D542,225 S 5/2007 Victor
D566,104 S 4/2008 Suzuki
D584,689 S 1/2009 Slawson et al.
D588,582 S 3/2009 Komiyama
D597,946 S 8/2009 Li
D604,242 S 11/2009 Kiely
D605,292 S * 12/2009 Sjursen et al. D24/174
D606,944 S * 12/2009 Mehnert et al. D13/154
D610,129 S * 2/2010 Densho et al. D14/223
D624,019 S 9/2010 Victor
D624,902 S * 10/2010 Kolton D14/205
7,831,058 B2 * 11/2010 Chen 381/361
7,864,972 B2 * 1/2011 McIntosh et al. 381/322
D637,180 S * 5/2011 Shimizu et al. D14/223
D648,328 S * 11/2011 Morimoto D14/223
D653,243 S * 1/2012 Katsumata et al. D14/223
8,103,040 B2 * 1/2012 Pelland et al. 381/381

FOREIGN PATENT DOCUMENTS

JP D1322442 S 2/2006
JP D1379167 S 2/2010
JP D1384731 S 4/2010

* cited by examiner

FIG. 1

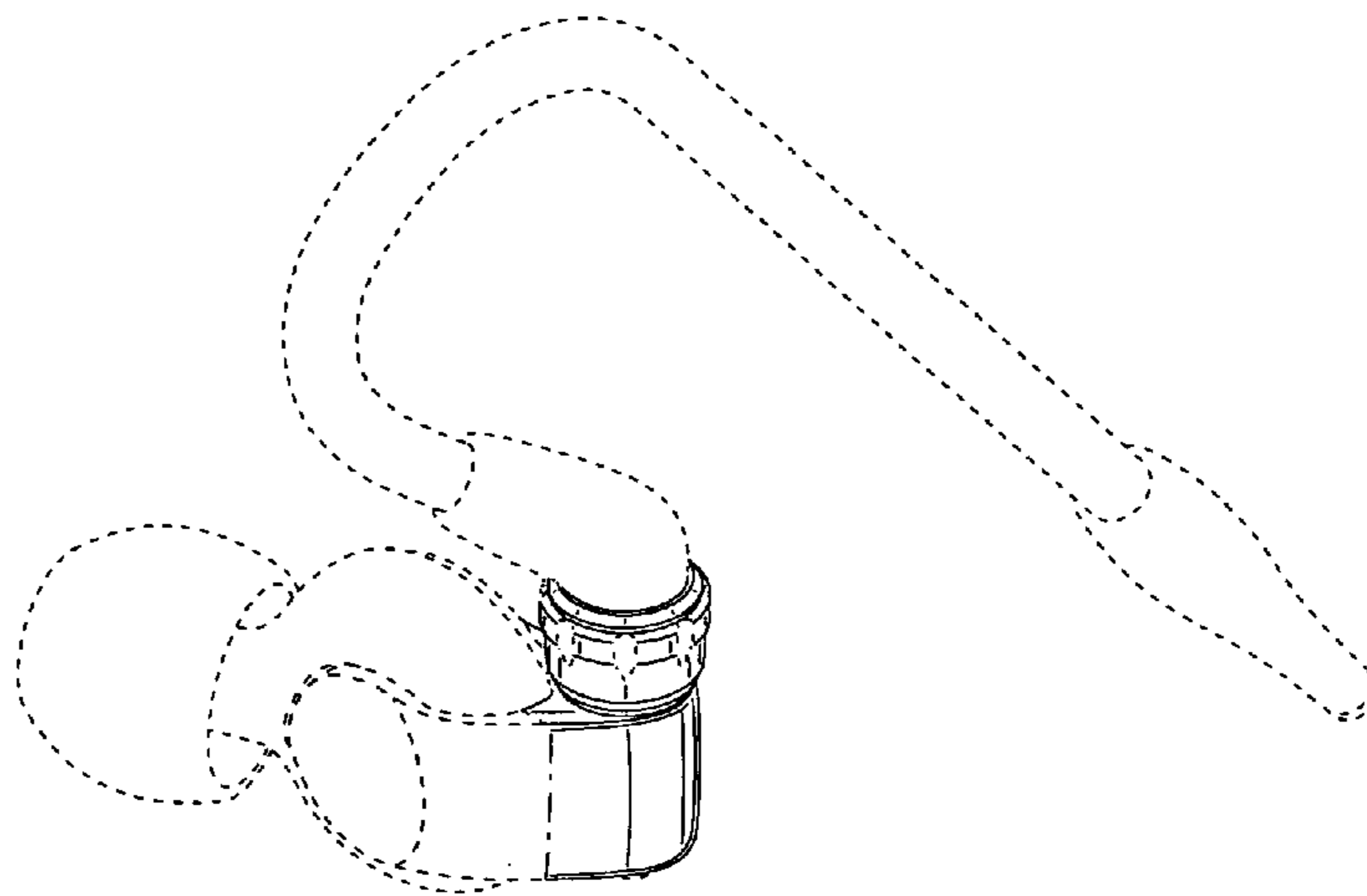
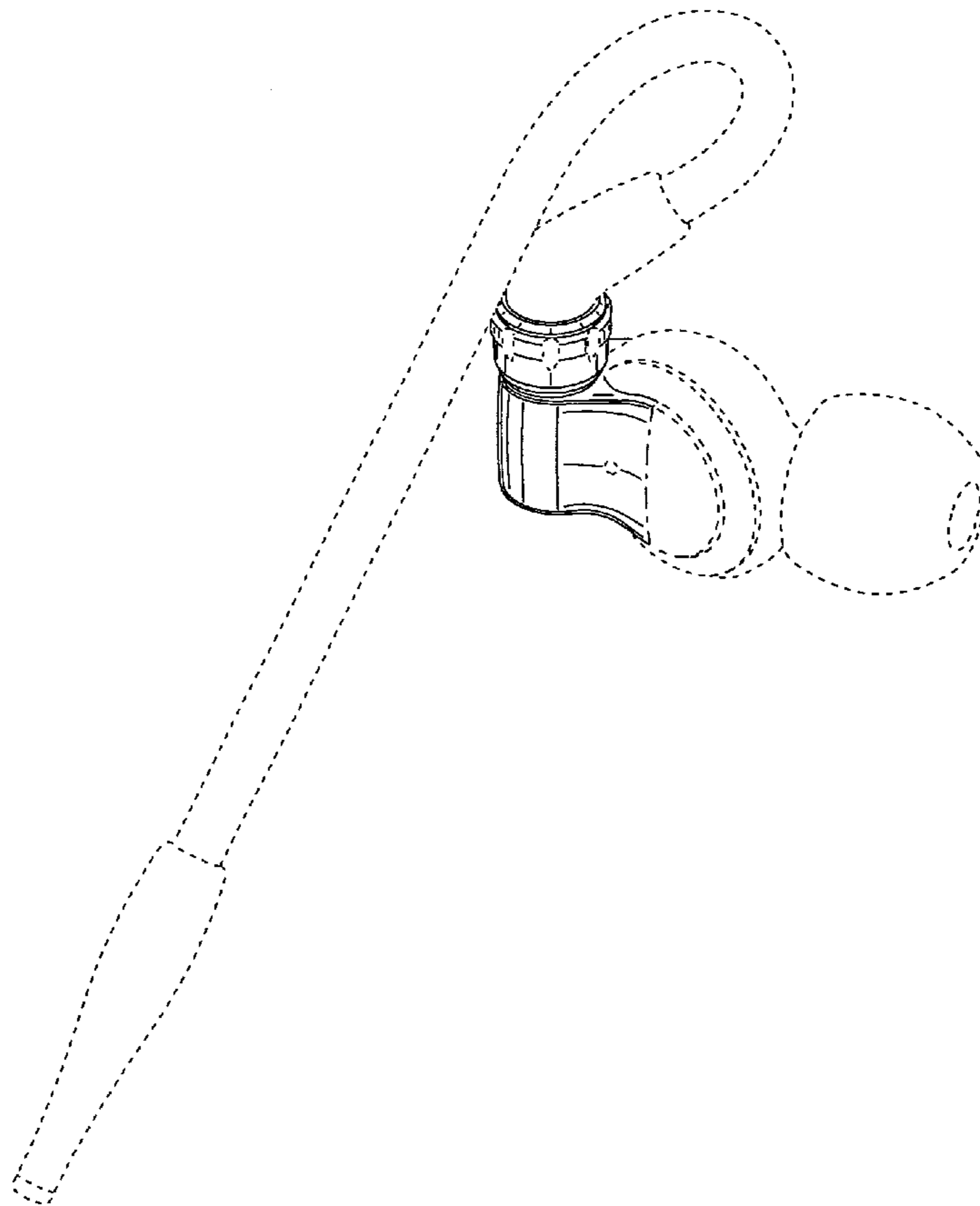


FIG.2



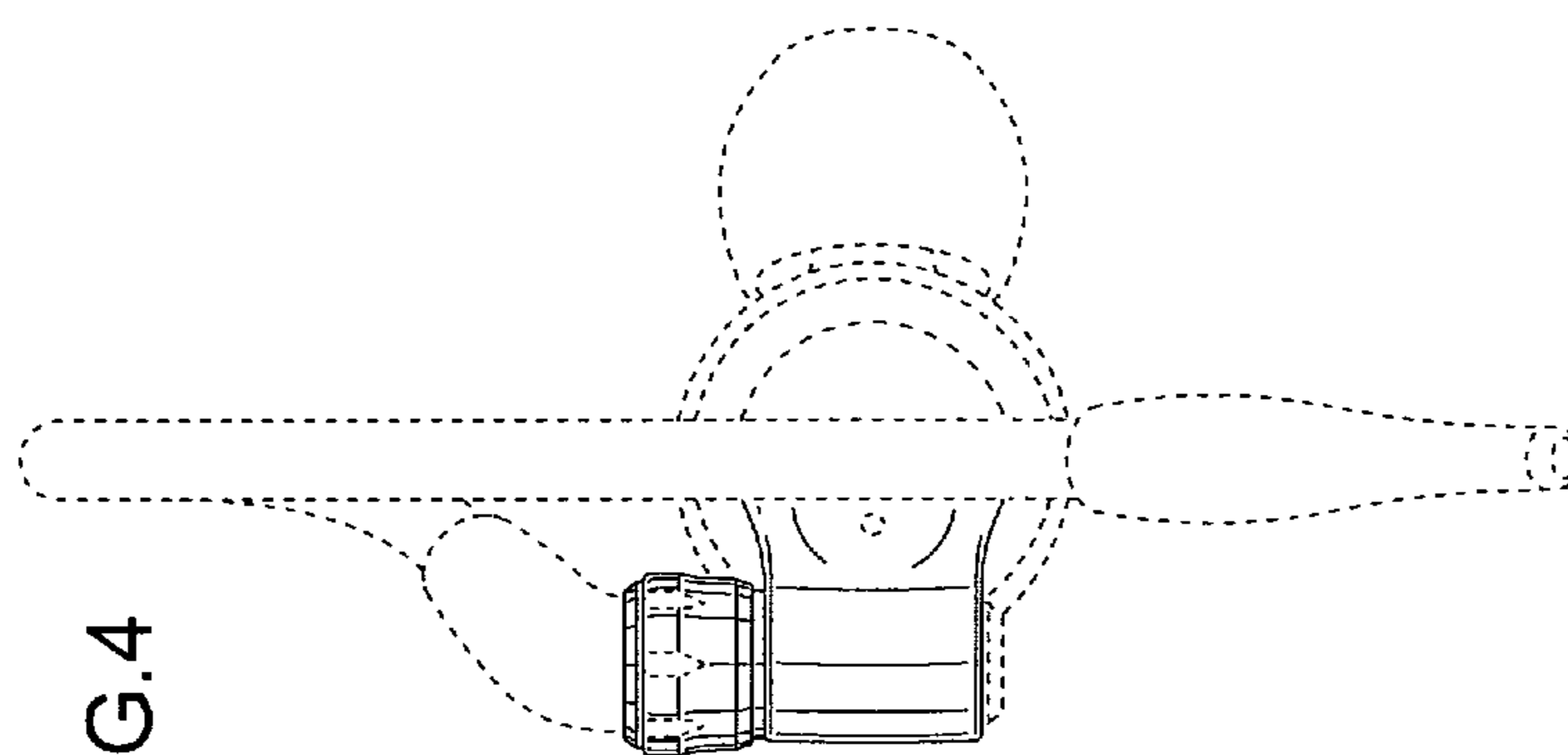


FIG. 4

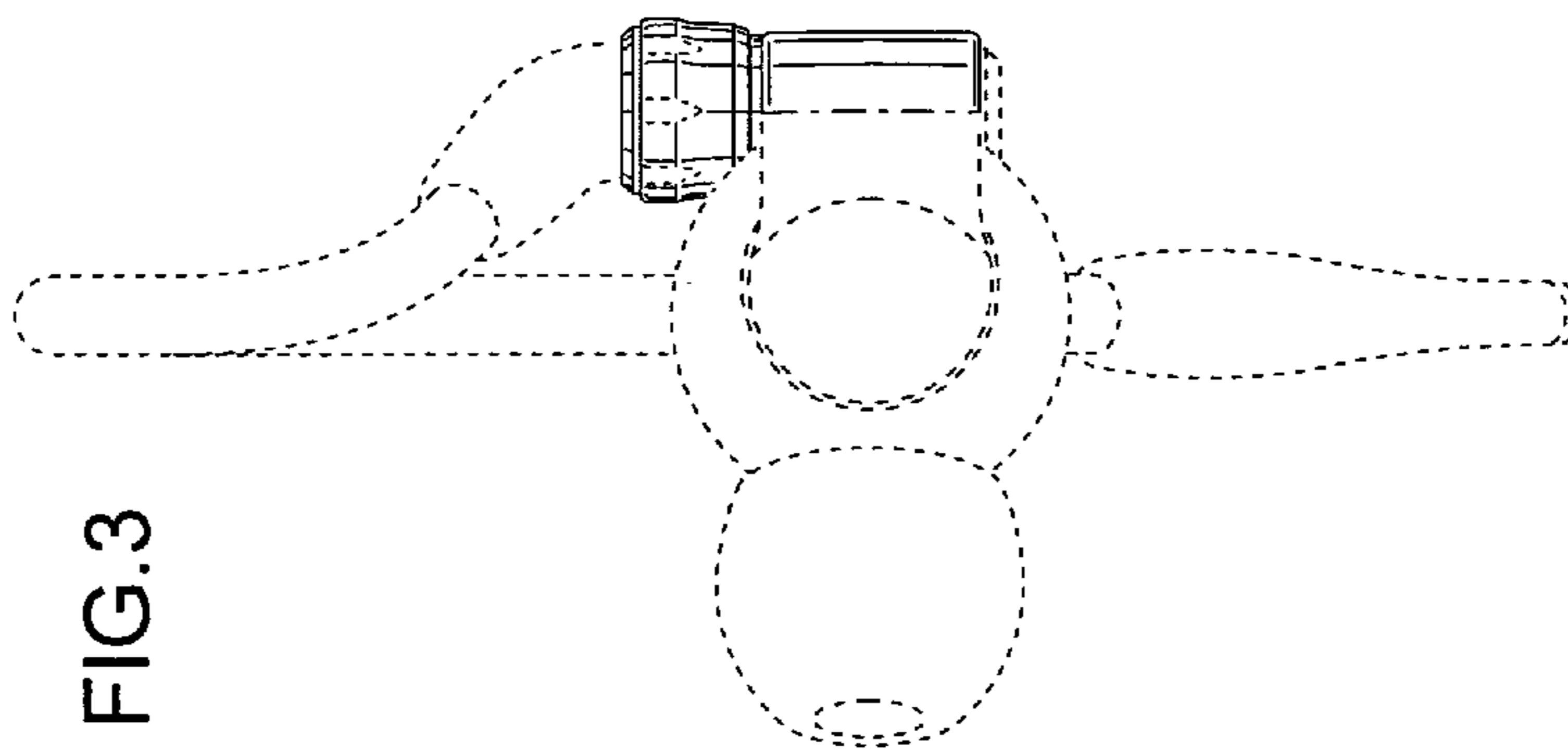


FIG. 3

FIG.5

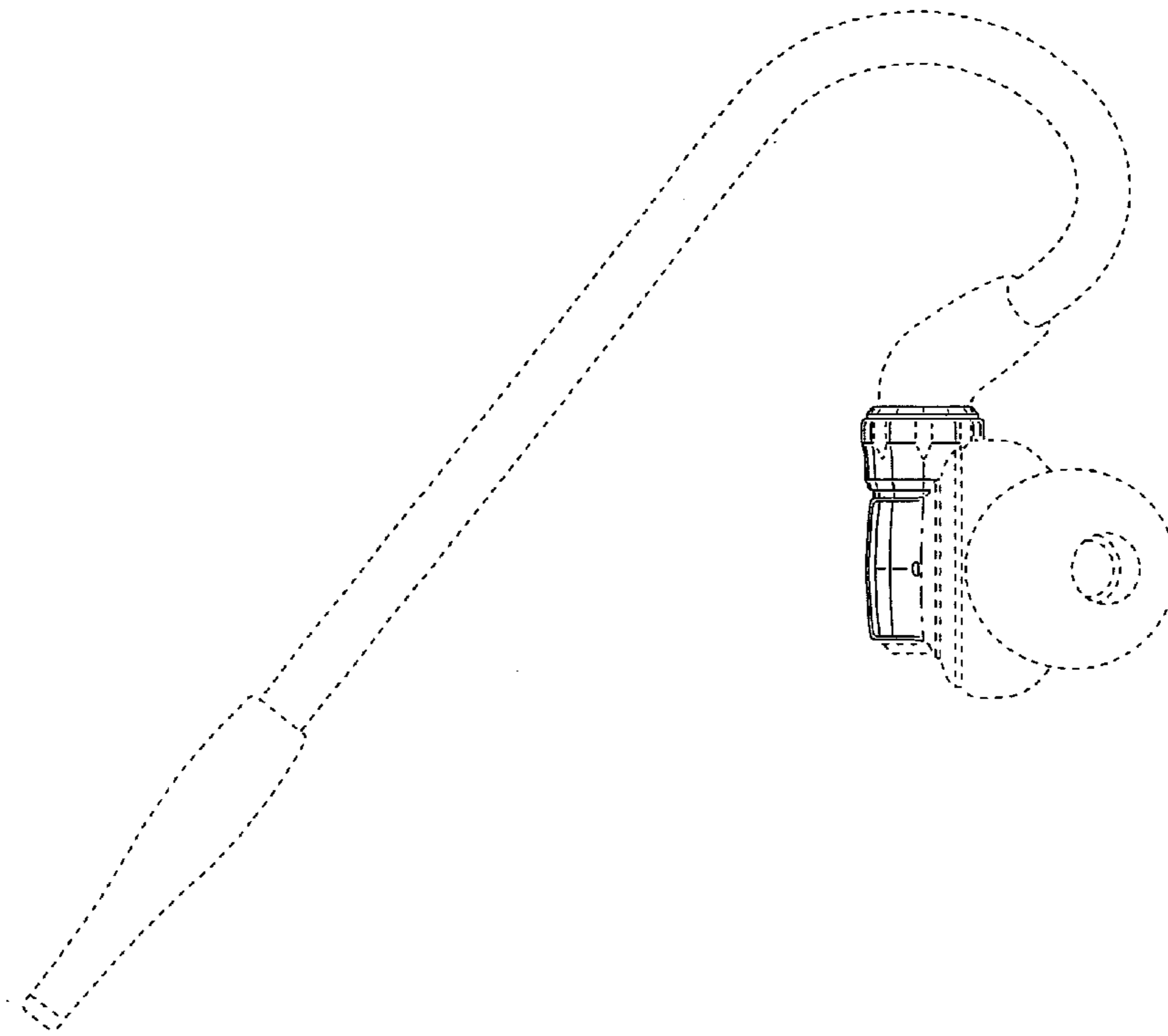
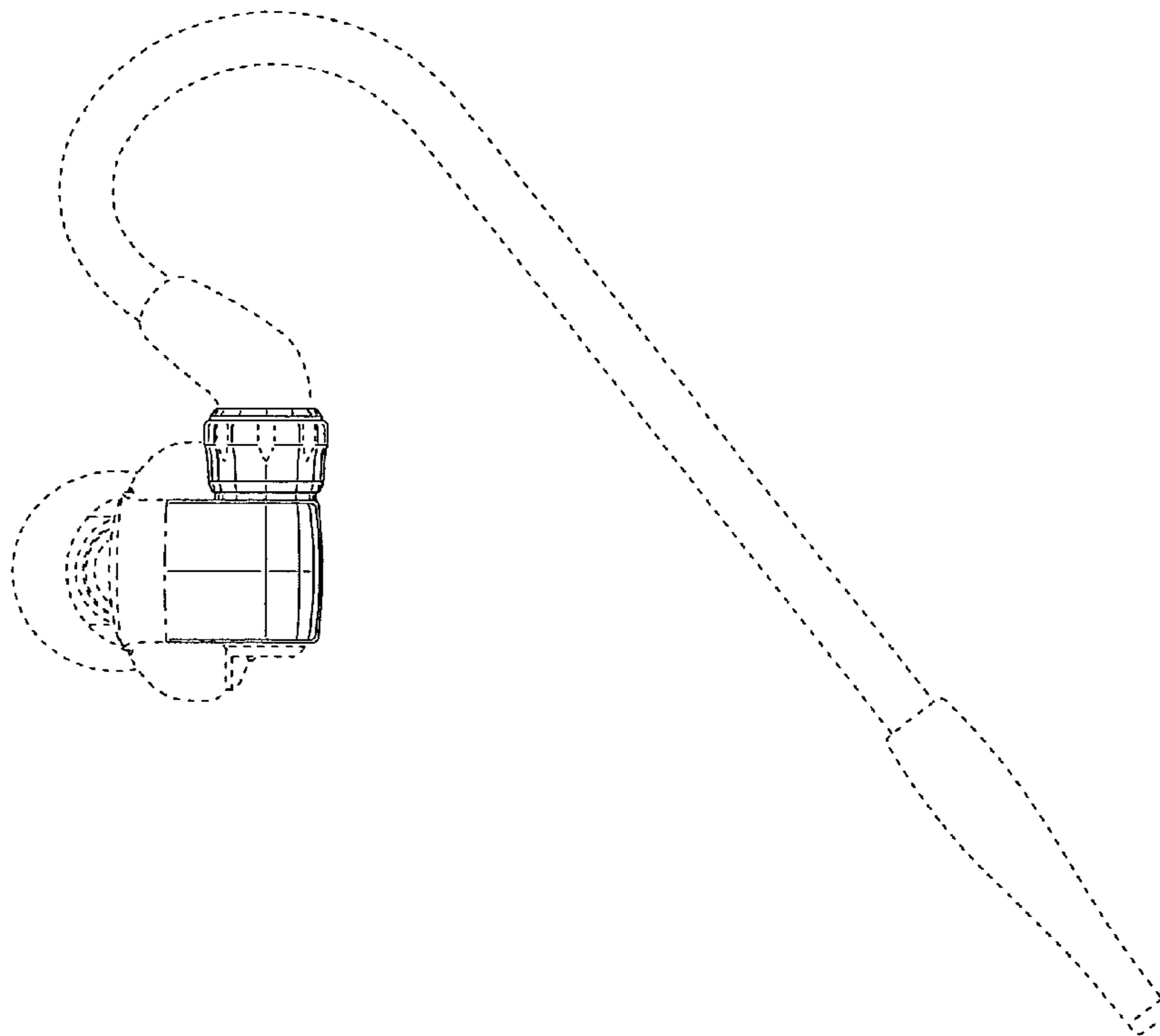


FIG.6



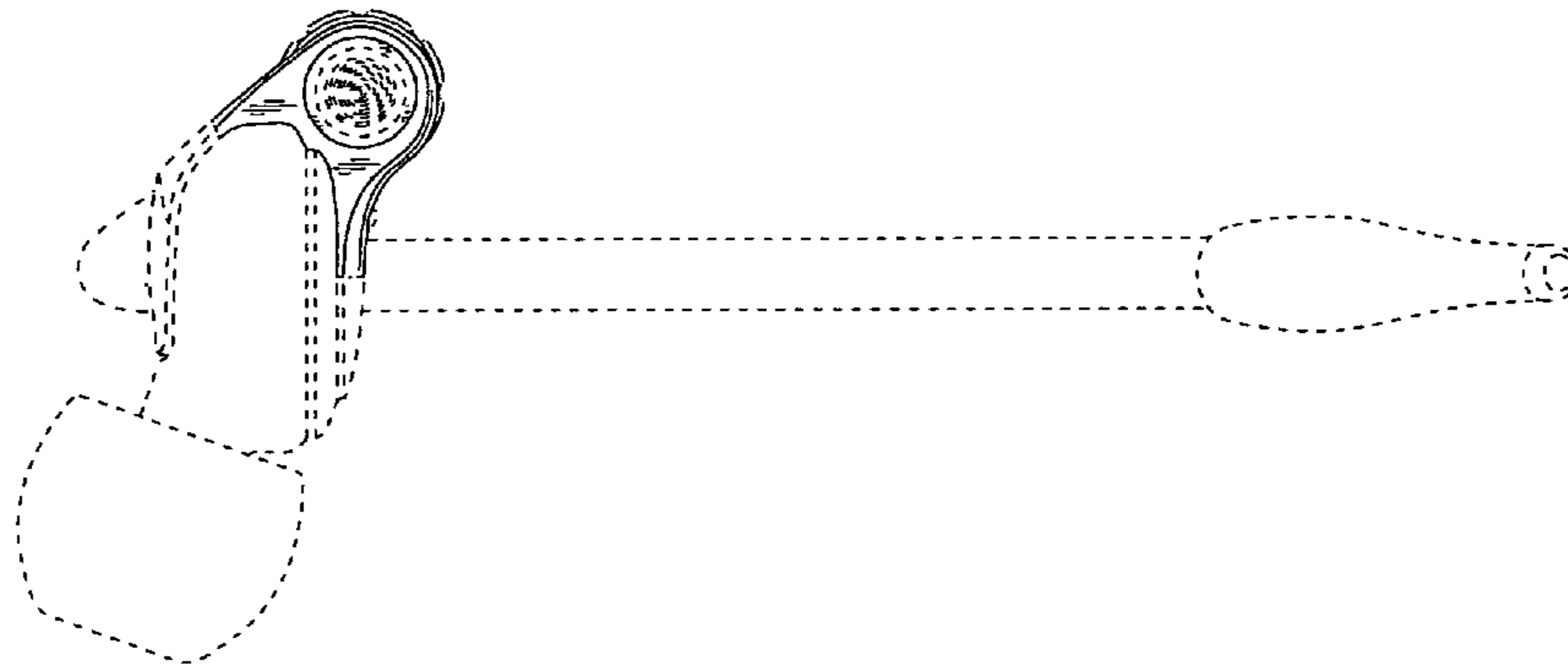


FIG. 8

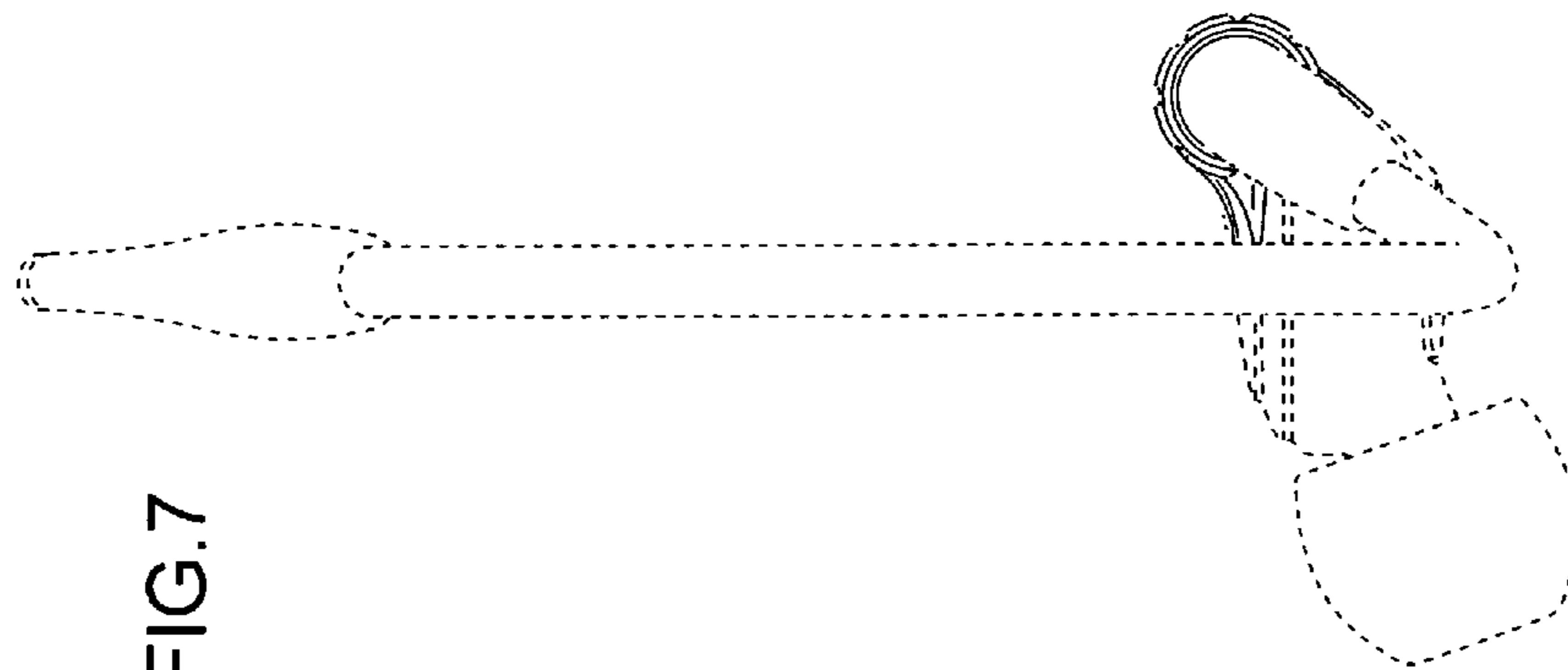


FIG. 7

FIG.9

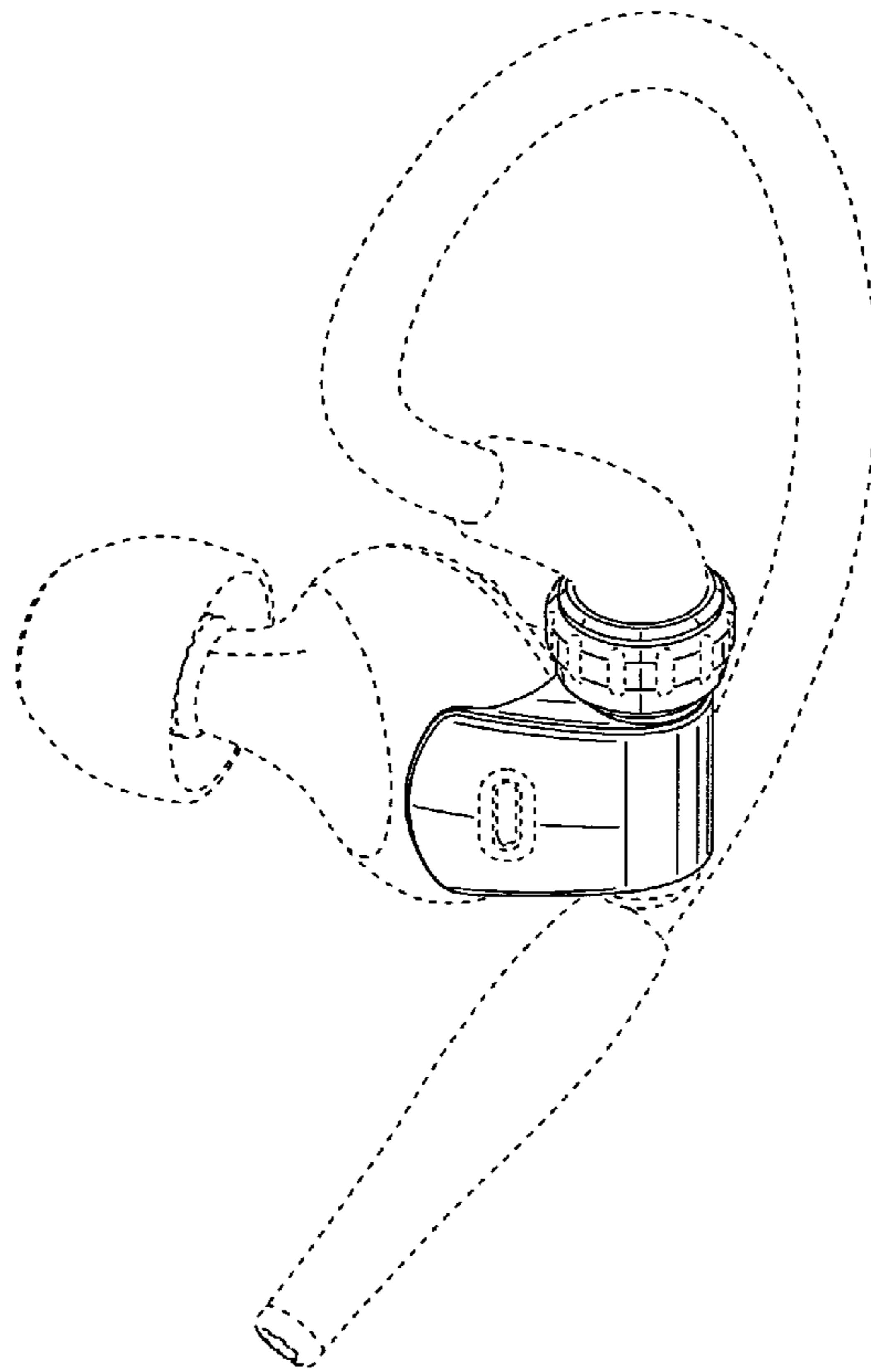
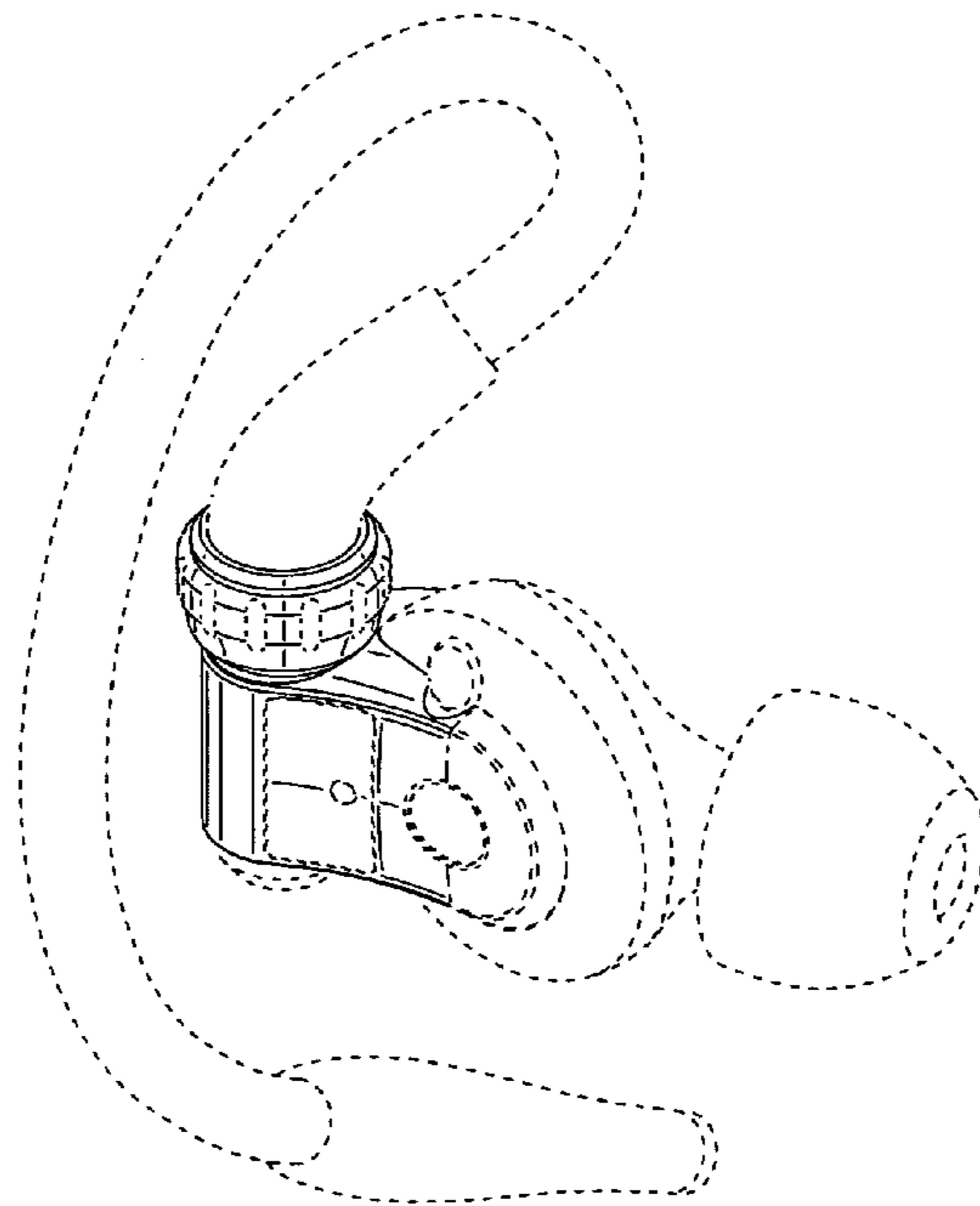


FIG. 10



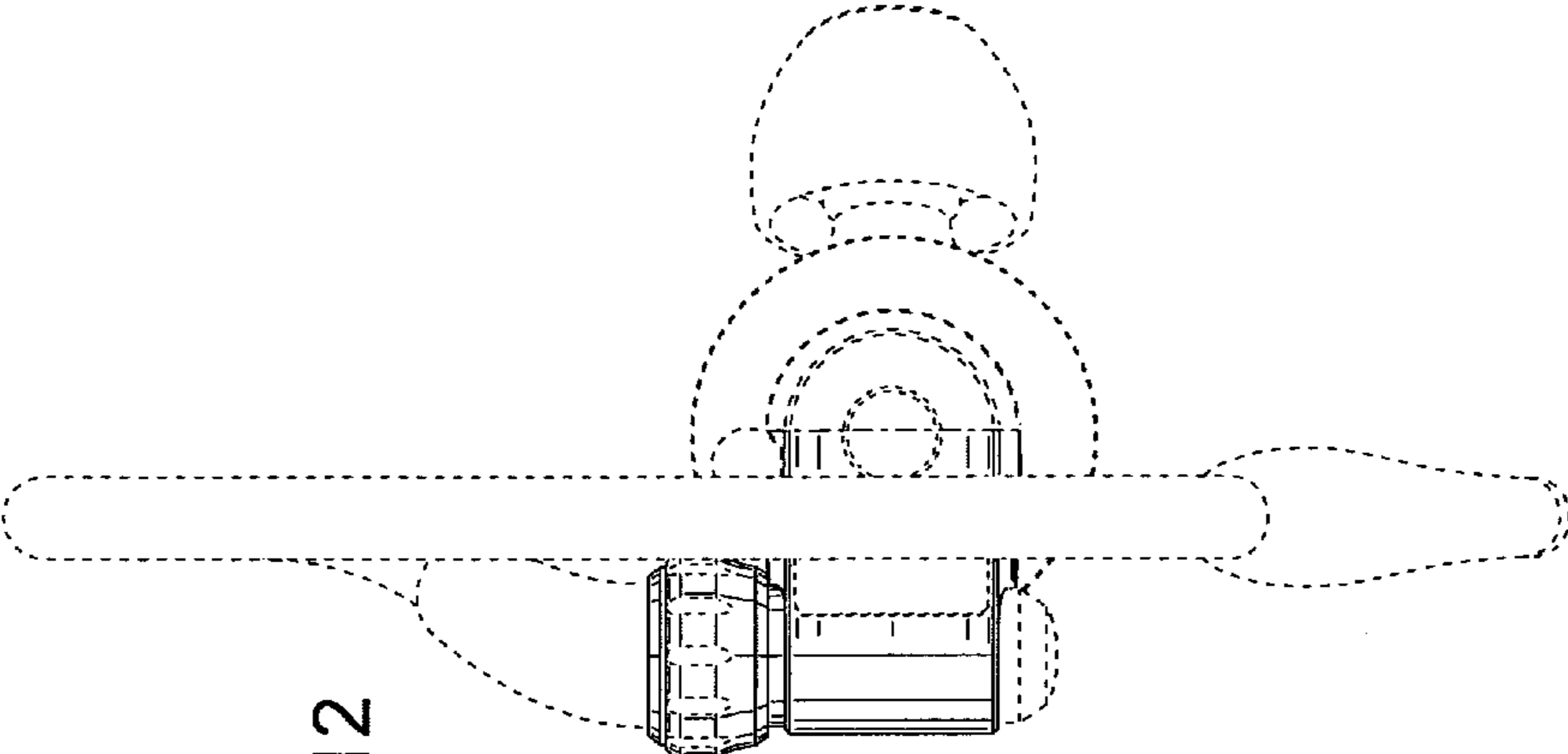


FIG.12

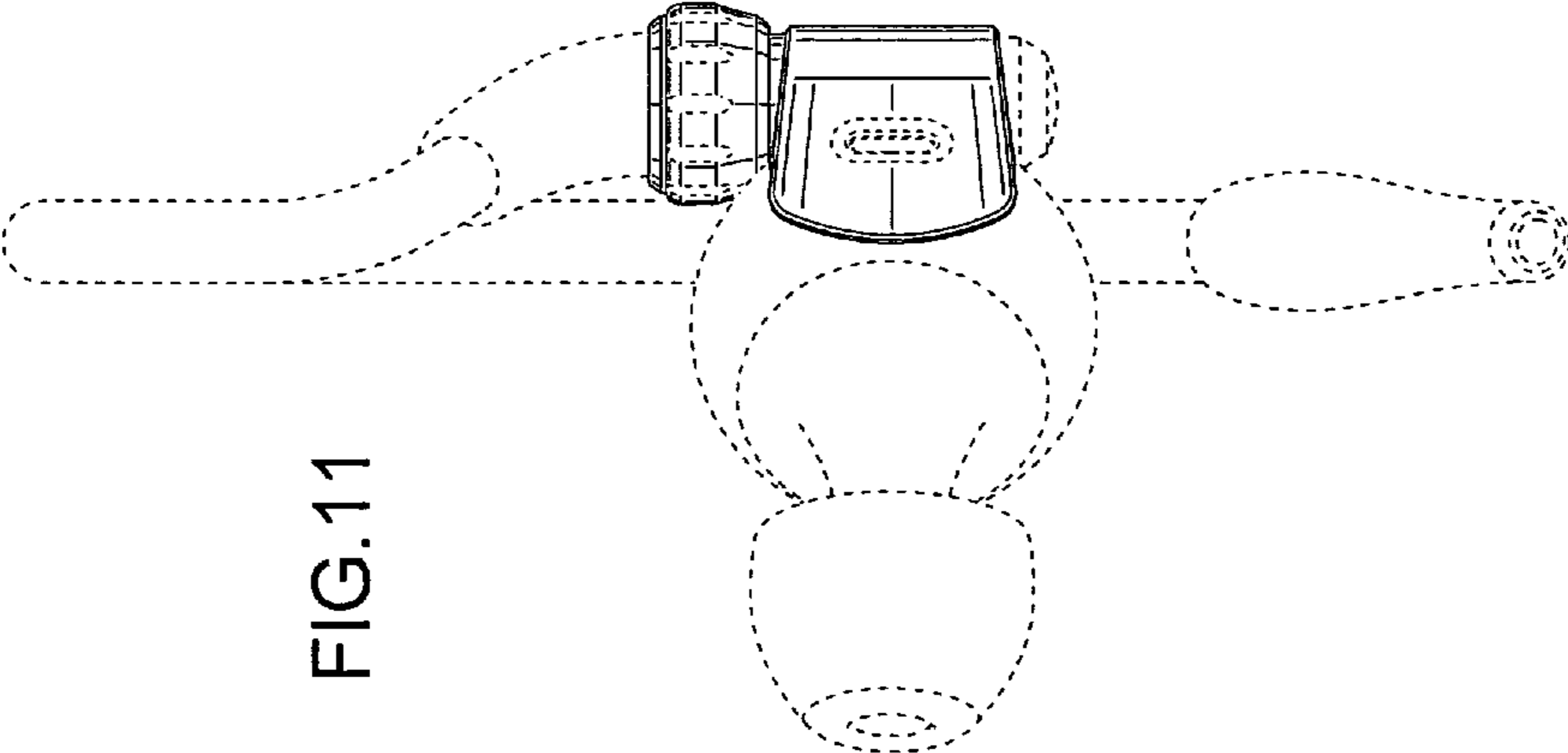


FIG.11

FIG. 13

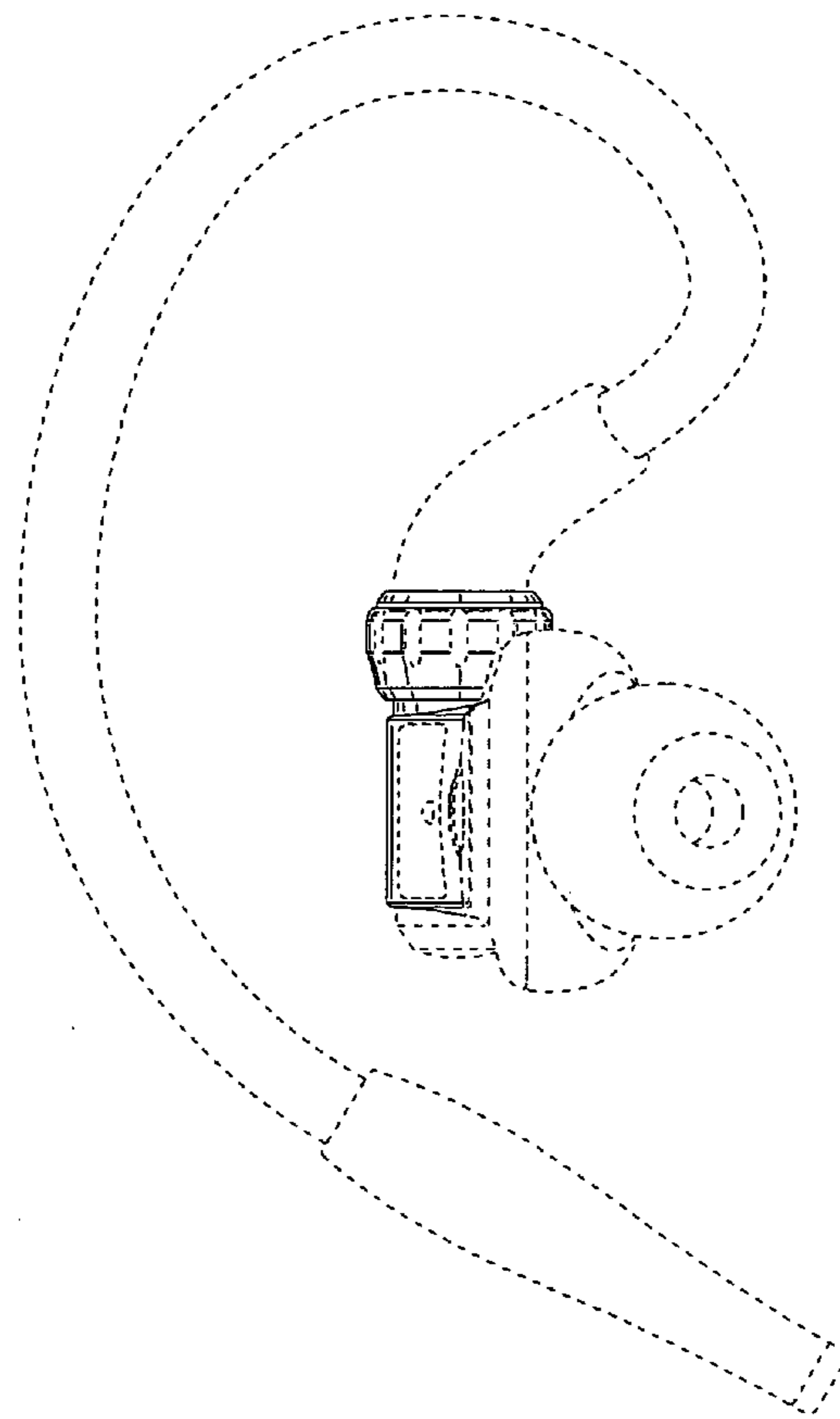
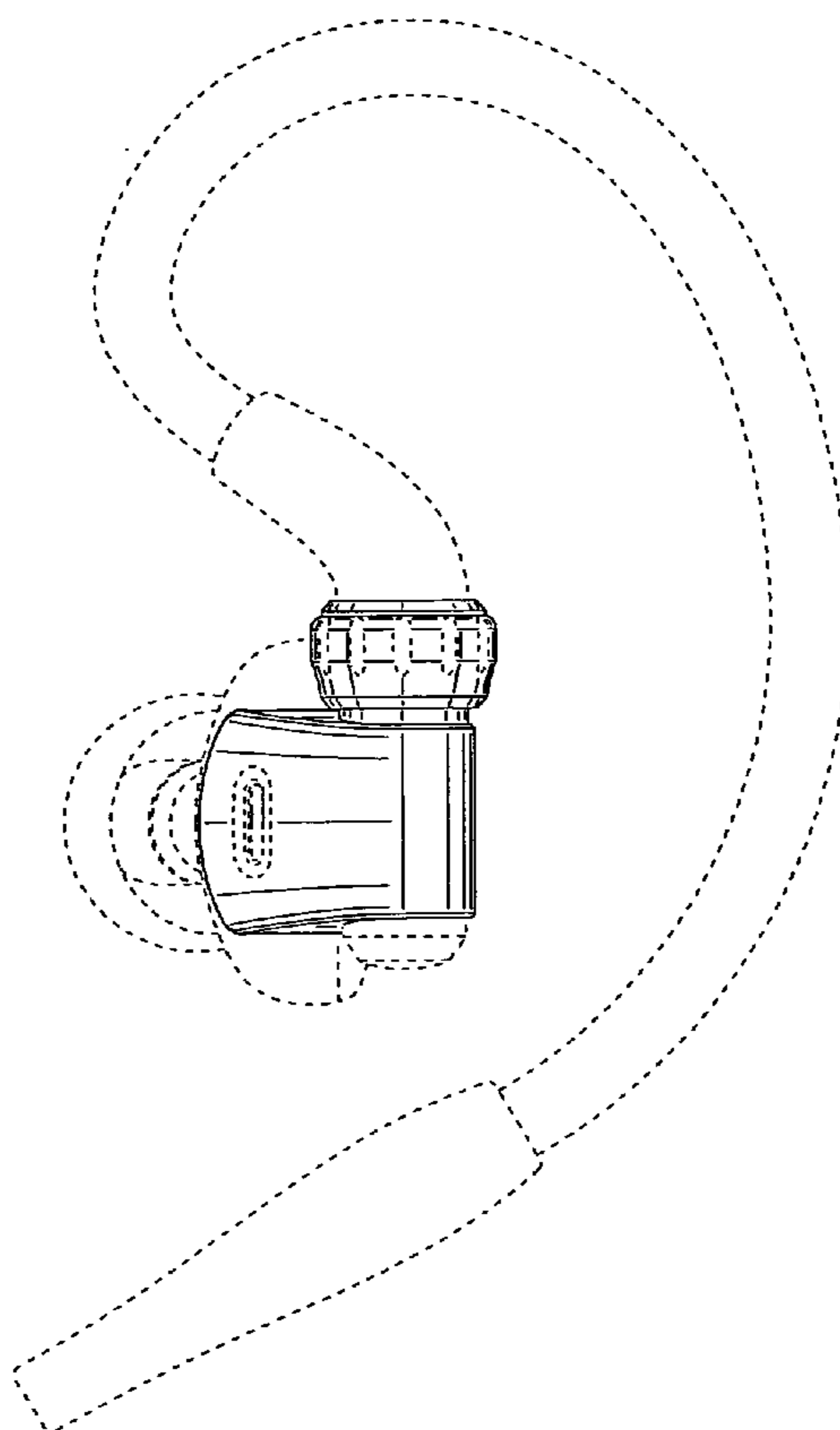


FIG.14



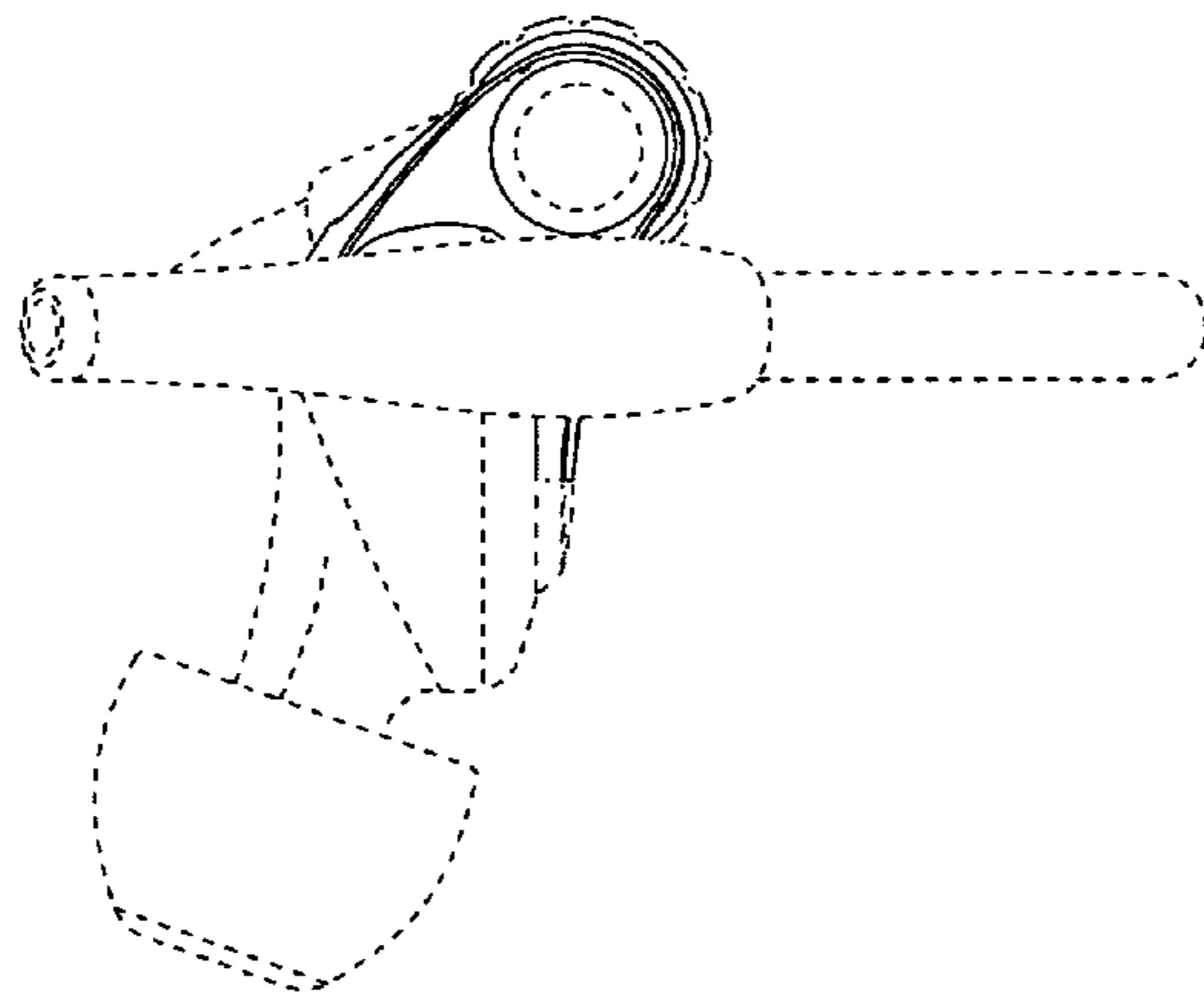


FIG.16

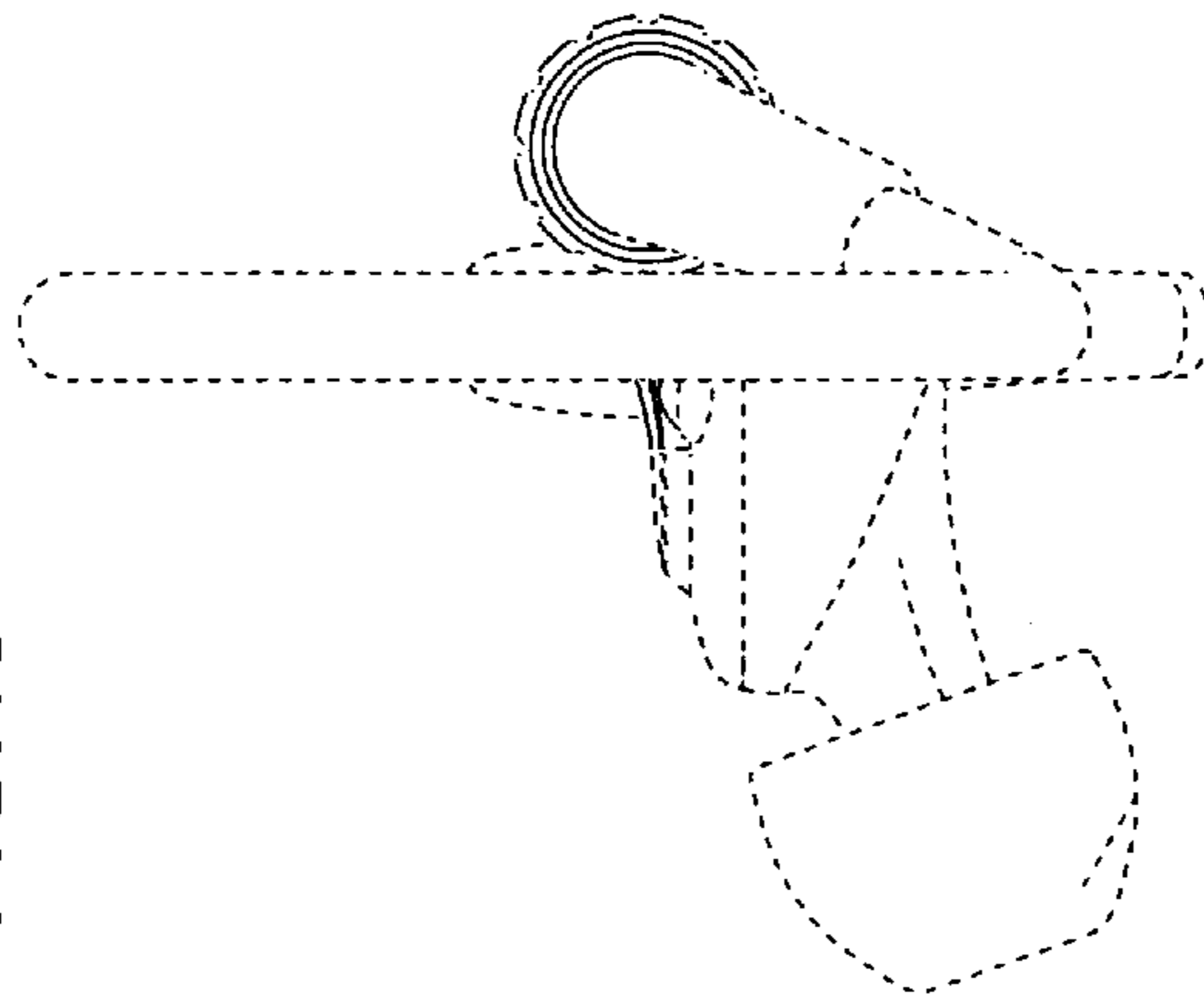


FIG.15

FIG.17

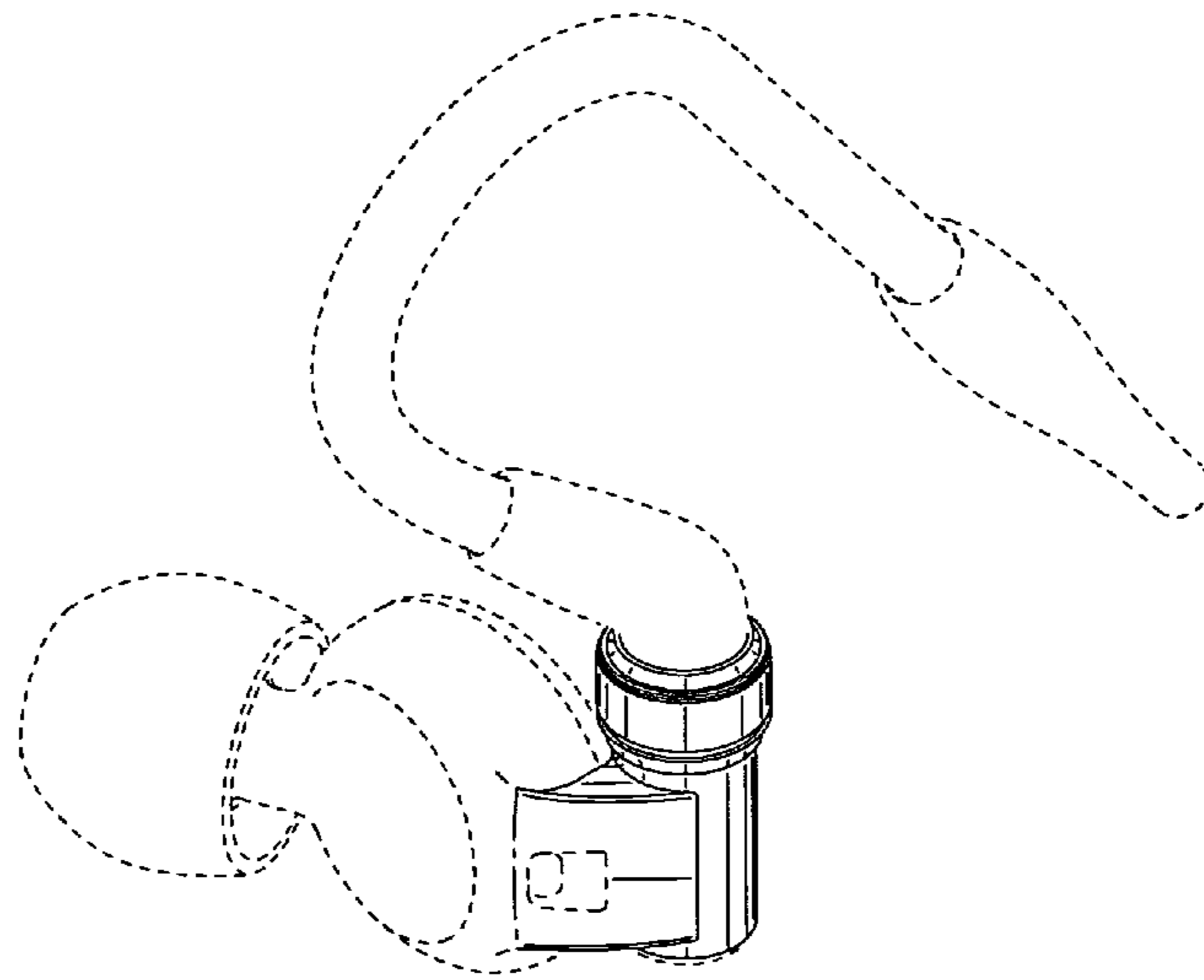
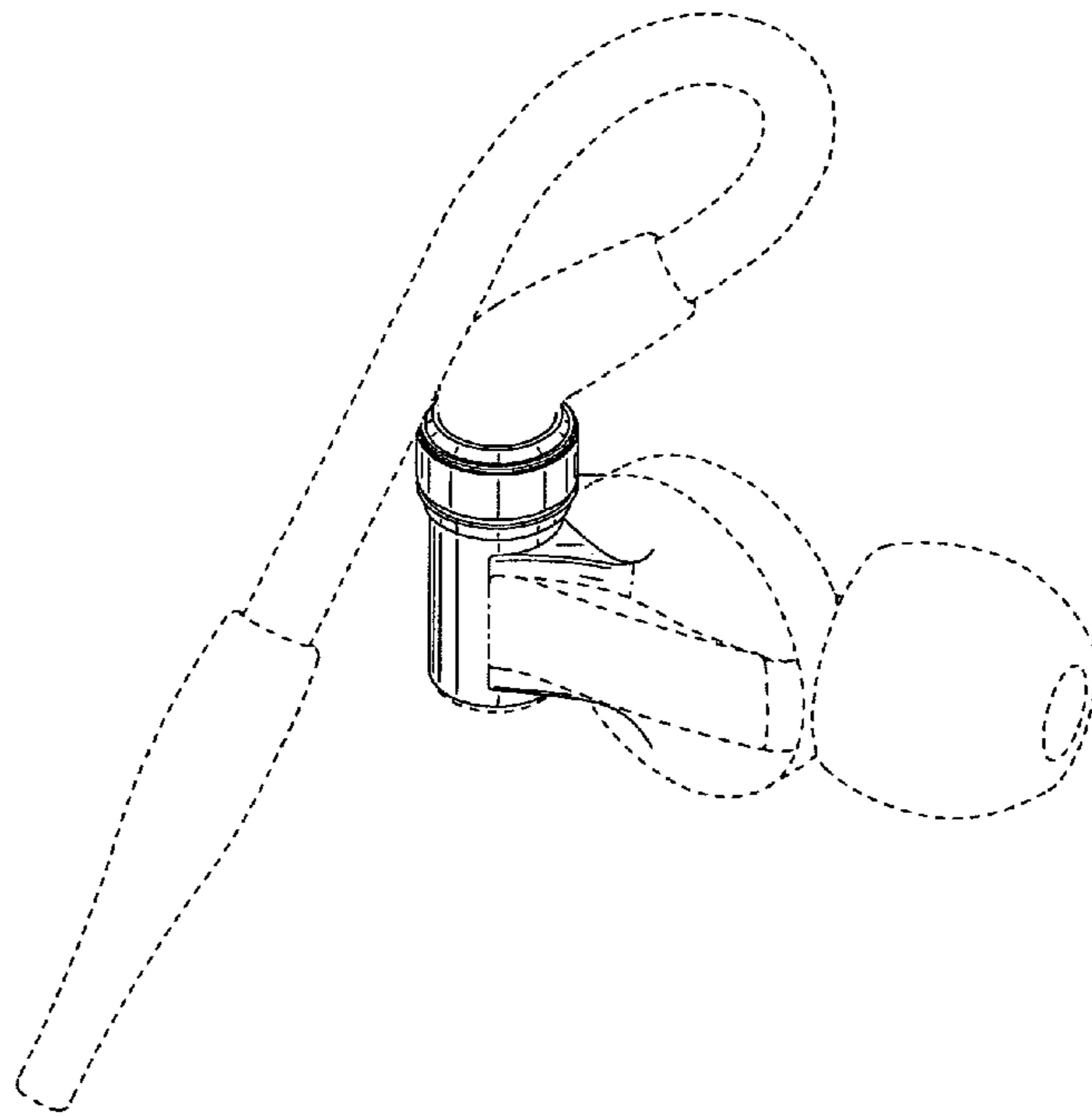


FIG. 18



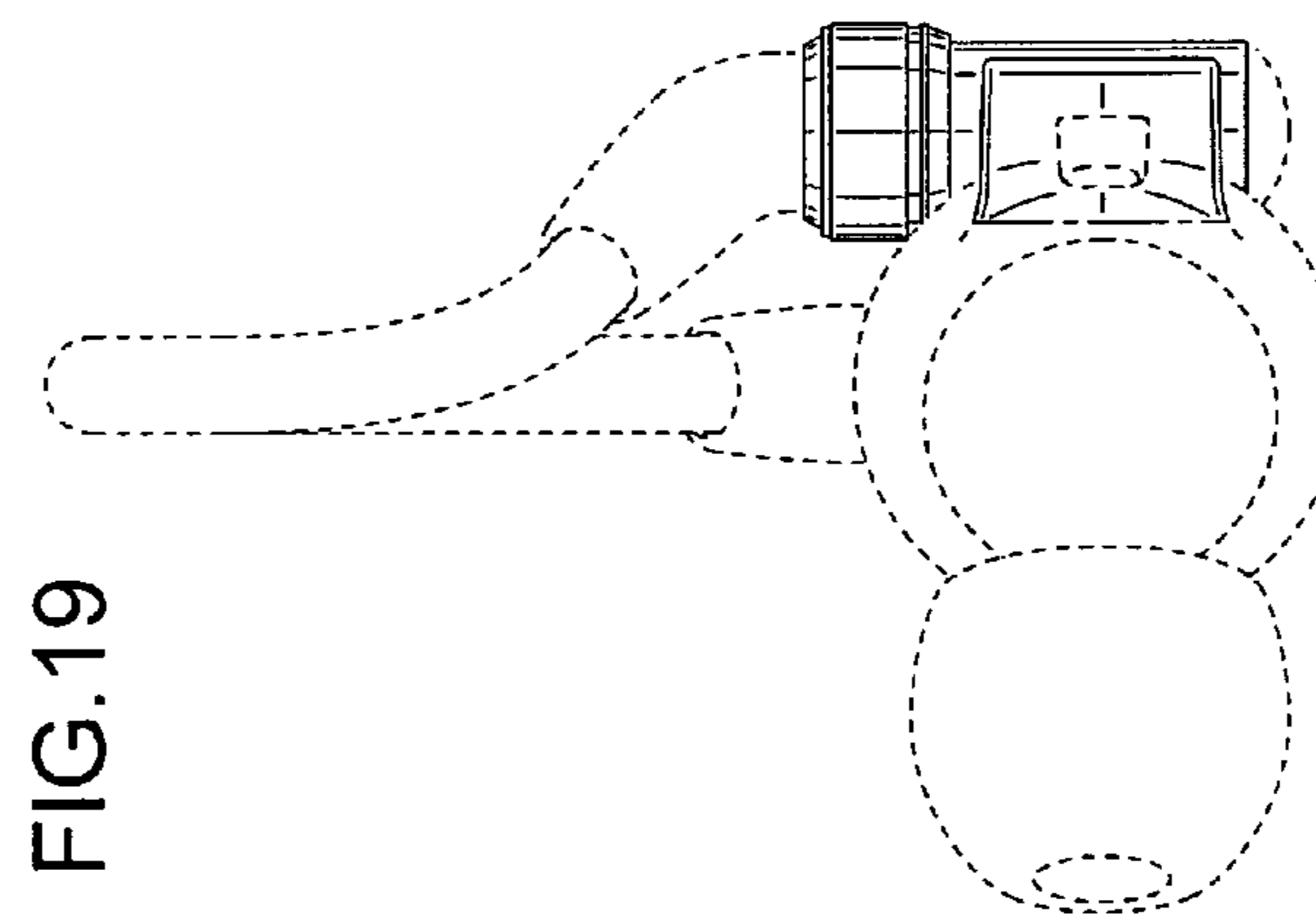
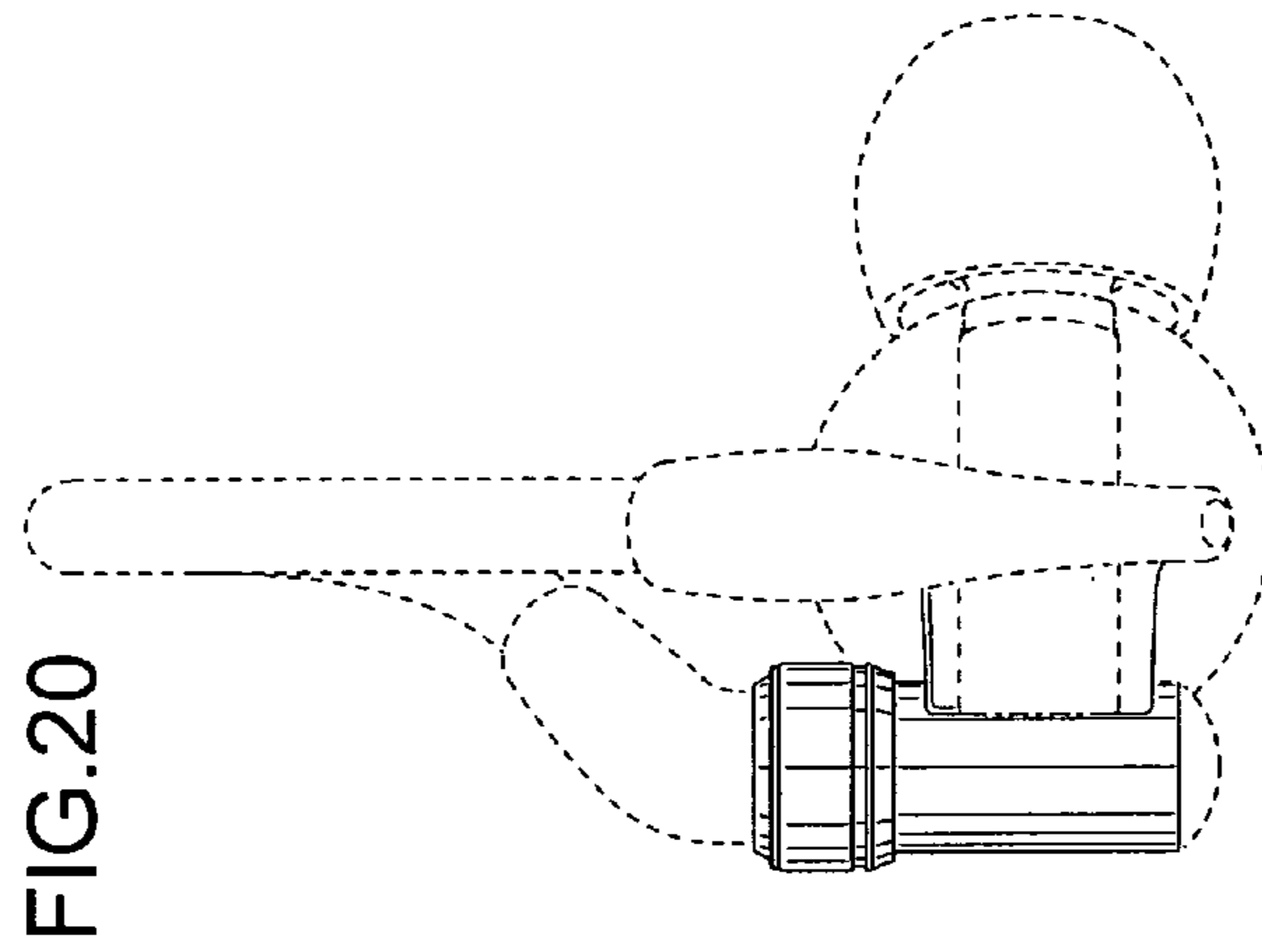


FIG.21

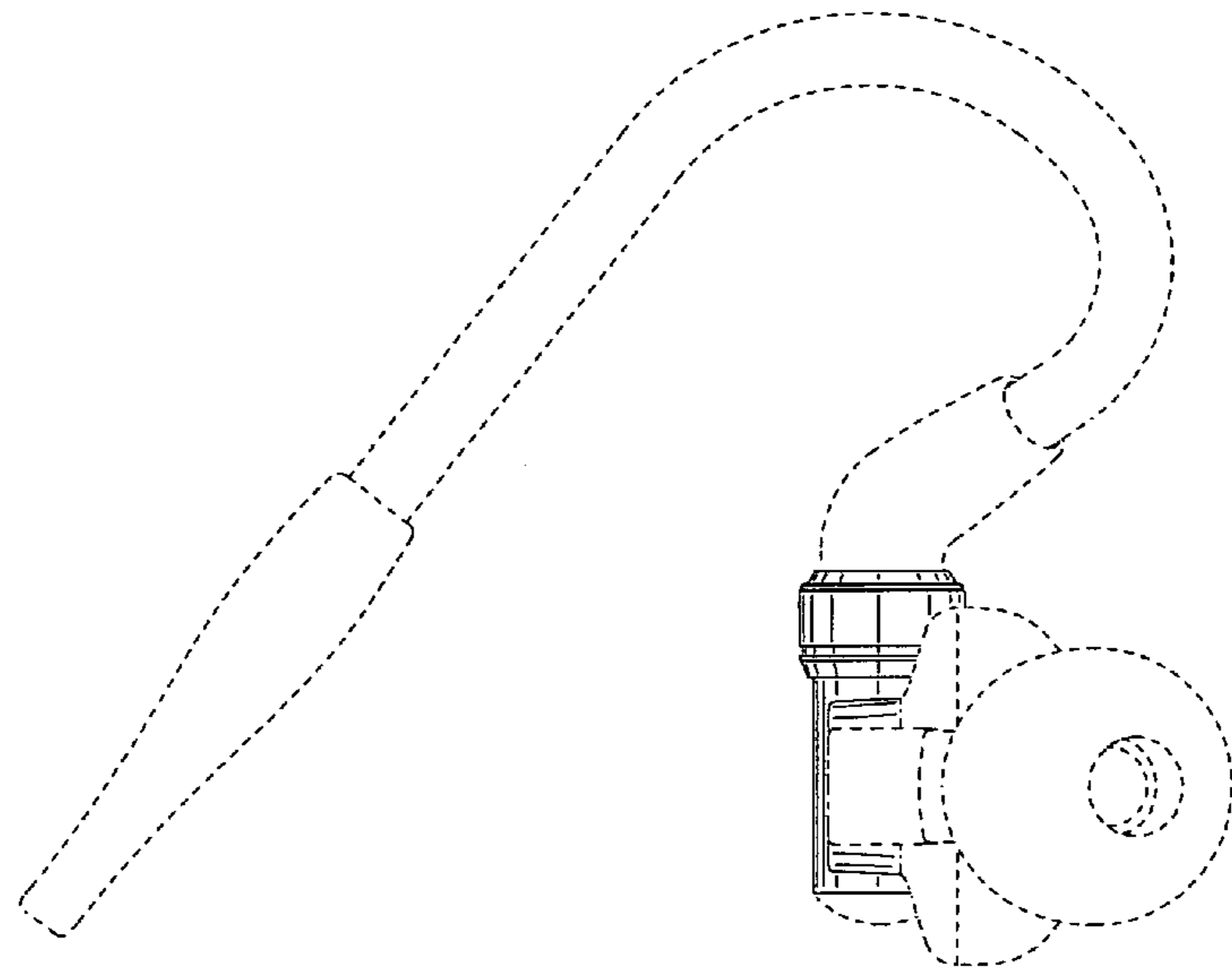
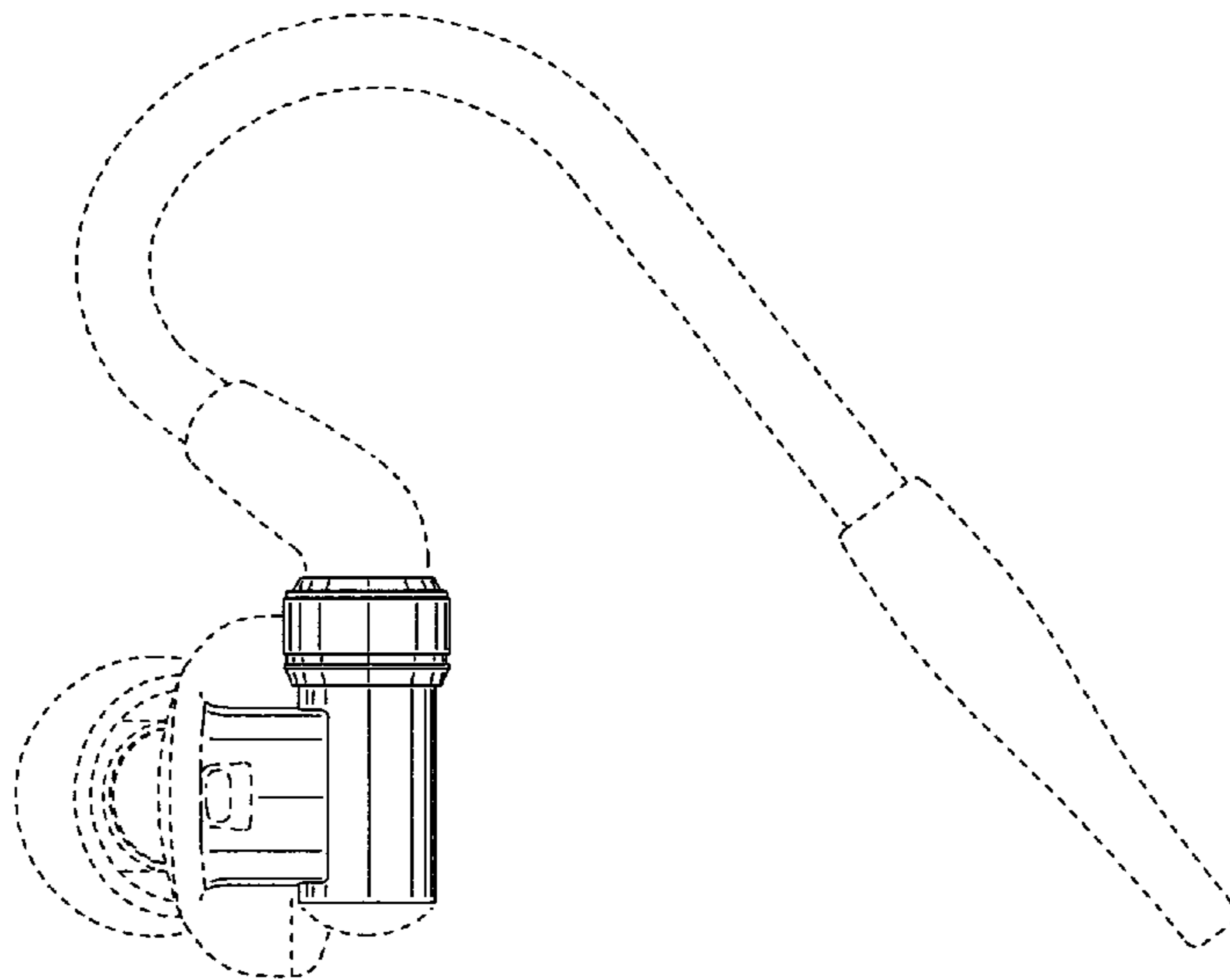


FIG.22



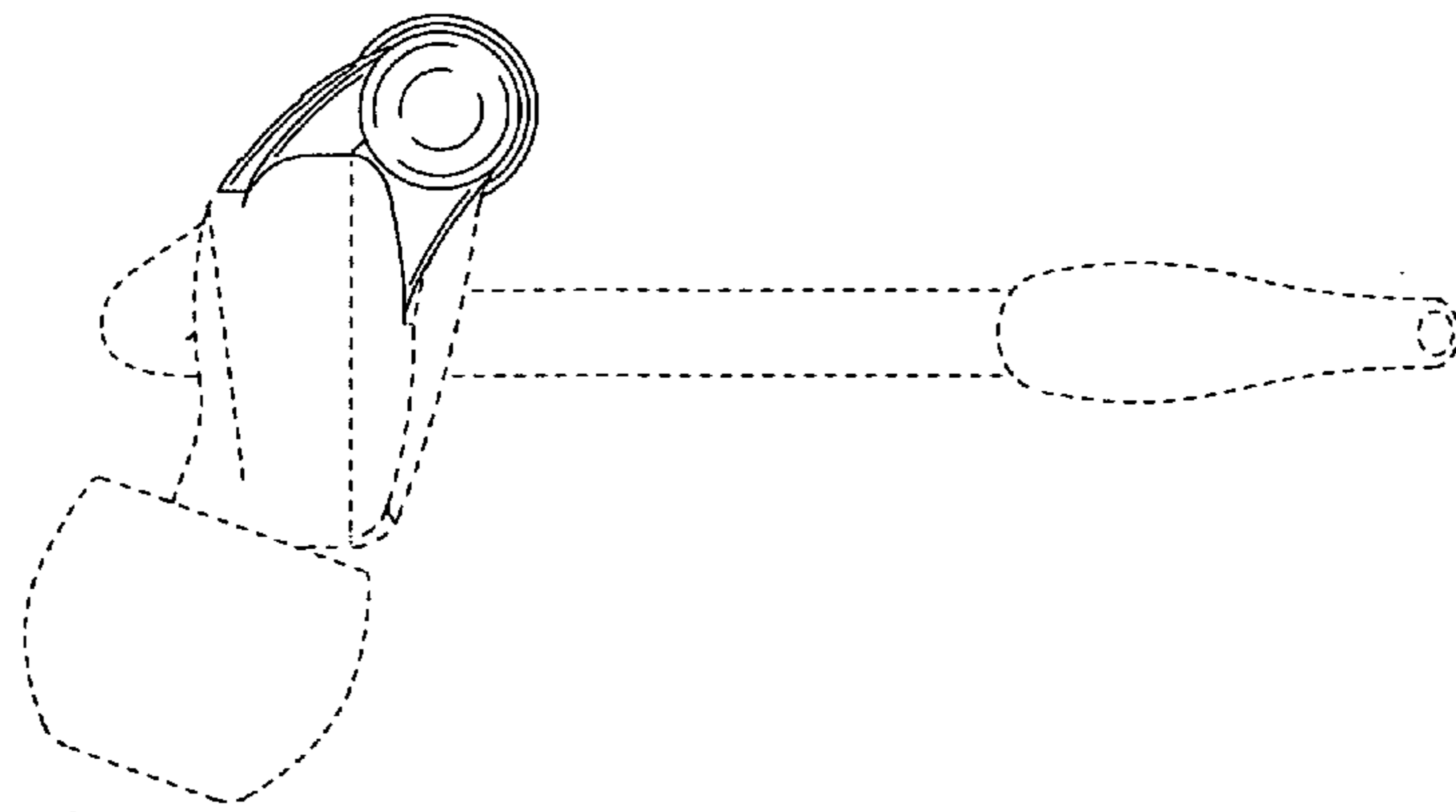


FIG.24

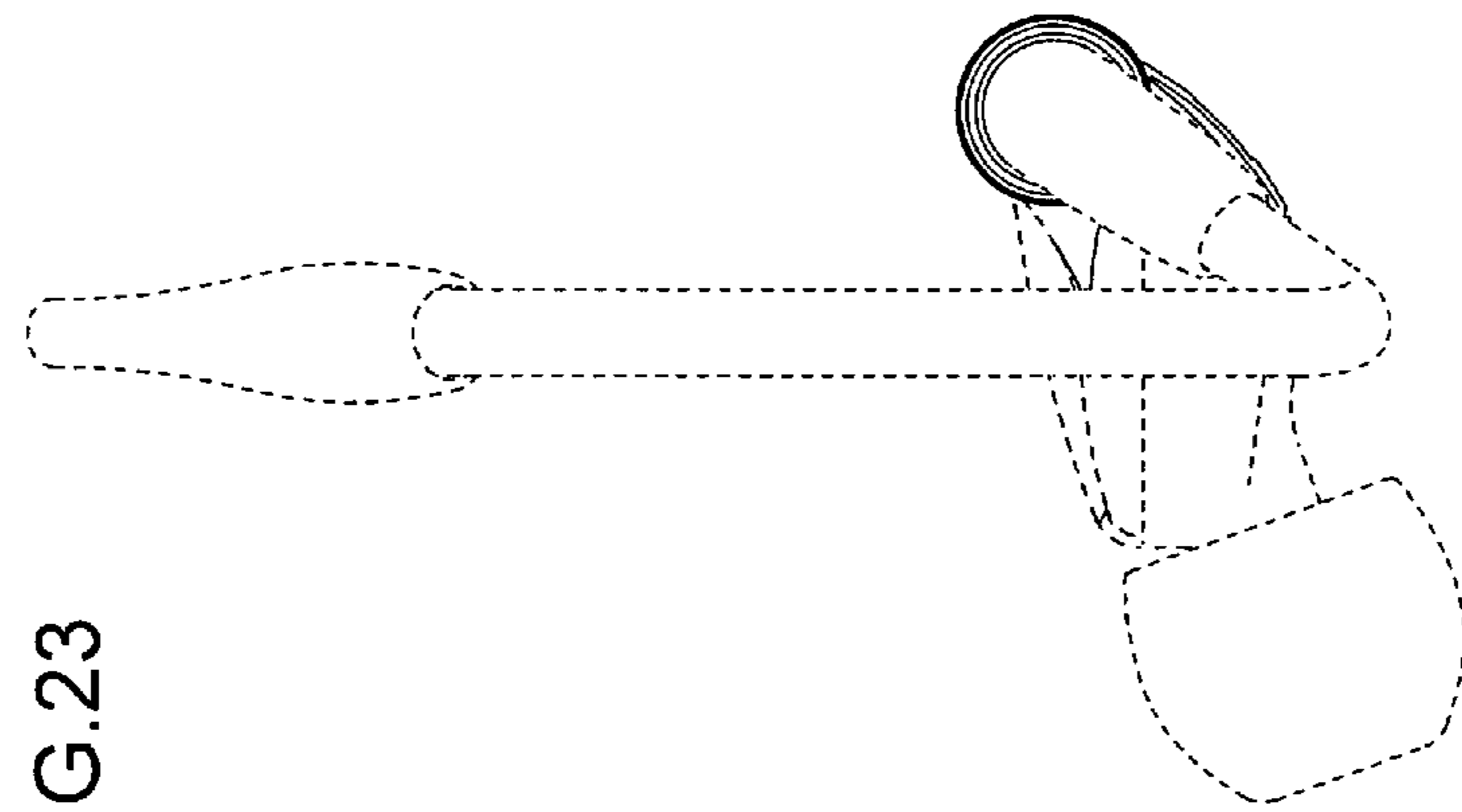


FIG.23