

US00D668625S

(12) **United States Design Patent**
Tiengtum

(10) **Patent No.:** **US D668,625 S**

(45) **Date of Patent:** **** Oct. 9, 2012**

(54) **INTEGRATED CIRCUIT SOCKET CONNECTOR**

(75) Inventor: **Pongsak Tiengtum**, Ladera Ranch, CA (US)

(73) Assignee: **Titan Semiconductor Tool, LLC**, Ladera Ranch, CA (US)

(**) Term: **14 Years**

(21) Appl. No.: **29/366,291**

(22) Filed: **Jul. 22, 2010**

(51) **LOC (9) Cl.** **13-03**

(52) **U.S. Cl.** **D13/182**

(58) **Field of Classification Search** D13/182;
285/80, 312; 324/754.03; 439/66
See application file for complete search history.

(56) **References Cited**

U.S. PATENT DOCUMENTS

5,594,355	A *	1/1997	Ludwig	324/750.25
6,244,874	B1 *	6/2001	Tan	439/66
6,409,521	B1	6/2002	Rathburn		
6,889,841	B2	5/2005	Maccoux et al.		
7,084,654	B2 *	8/2006	Zhao et al.	324/754.03
7,338,293	B2	3/2008	Gilk		
7,445,460	B1 *	11/2008	Fan et al.	439/66
7,632,106	B2 *	12/2009	Nakamura	439/66
7,639,026	B2 *	12/2009	Shell et al.	324/754.03
7,688,094	B2	3/2010	Osato		

7,722,361	B2 *	5/2010	Lopez et al.	439/72
7,737,708	B2	6/2010	Sherry		
7,918,669	B1 *	4/2011	Tiengtum	439/66
2004/0033705	A1 *	2/2004	Nelson	439/66
2011/0227594	A1 *	9/2011	Suzuki et al.	324/754.03

* cited by examiner

Primary Examiner — Selina Sikder

(74) *Attorney, Agent, or Firm* — Fulwider Patton LLP

(57) **CLAIM**

The ornamental design for an integrated circuit socket connector, as shown and described.

DESCRIPTION

FIG. 1 is a perspective view taken from the top, front, and right side of an integrated circuit, socket, and board, all in shadow, and a two piece connector showing my new design; FIG. 2 is an enlarged, perspective view of a connector showing my new design; FIG. 3 is a top plan view of a connector showing my new design; FIG. 4 is a left side view thereof; FIG. 5 is a bottom view thereof; FIG. 6 is a right side view thereof; FIG. 7 is a front view thereof; and, FIG. 8 is a rear view thereof.

Shading and broken lines are for illustrative purposes only and to show the environment of the invention, and form no part of the claimed design.

1 Claim, 3 Drawing Sheets

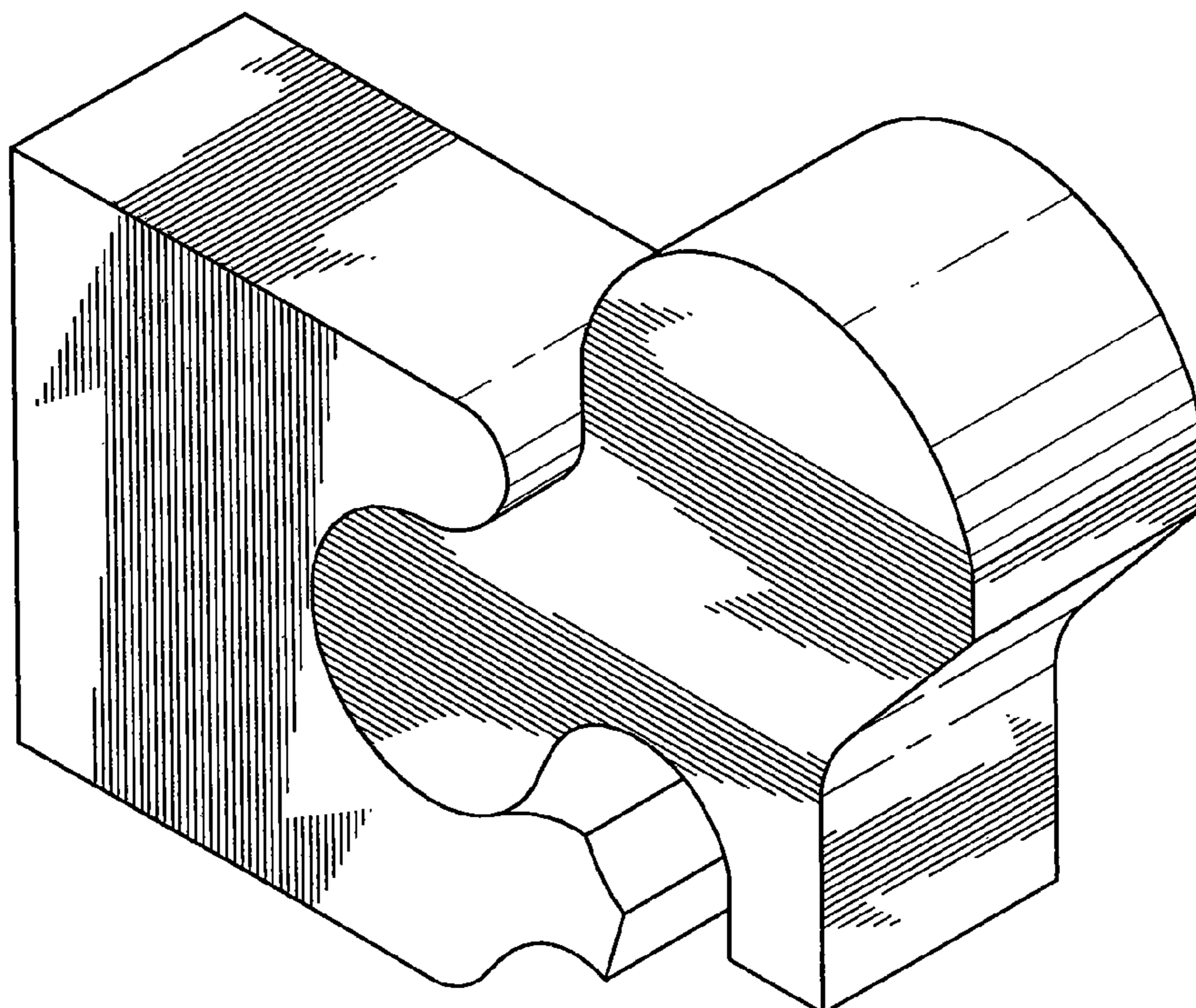


FIG. 1

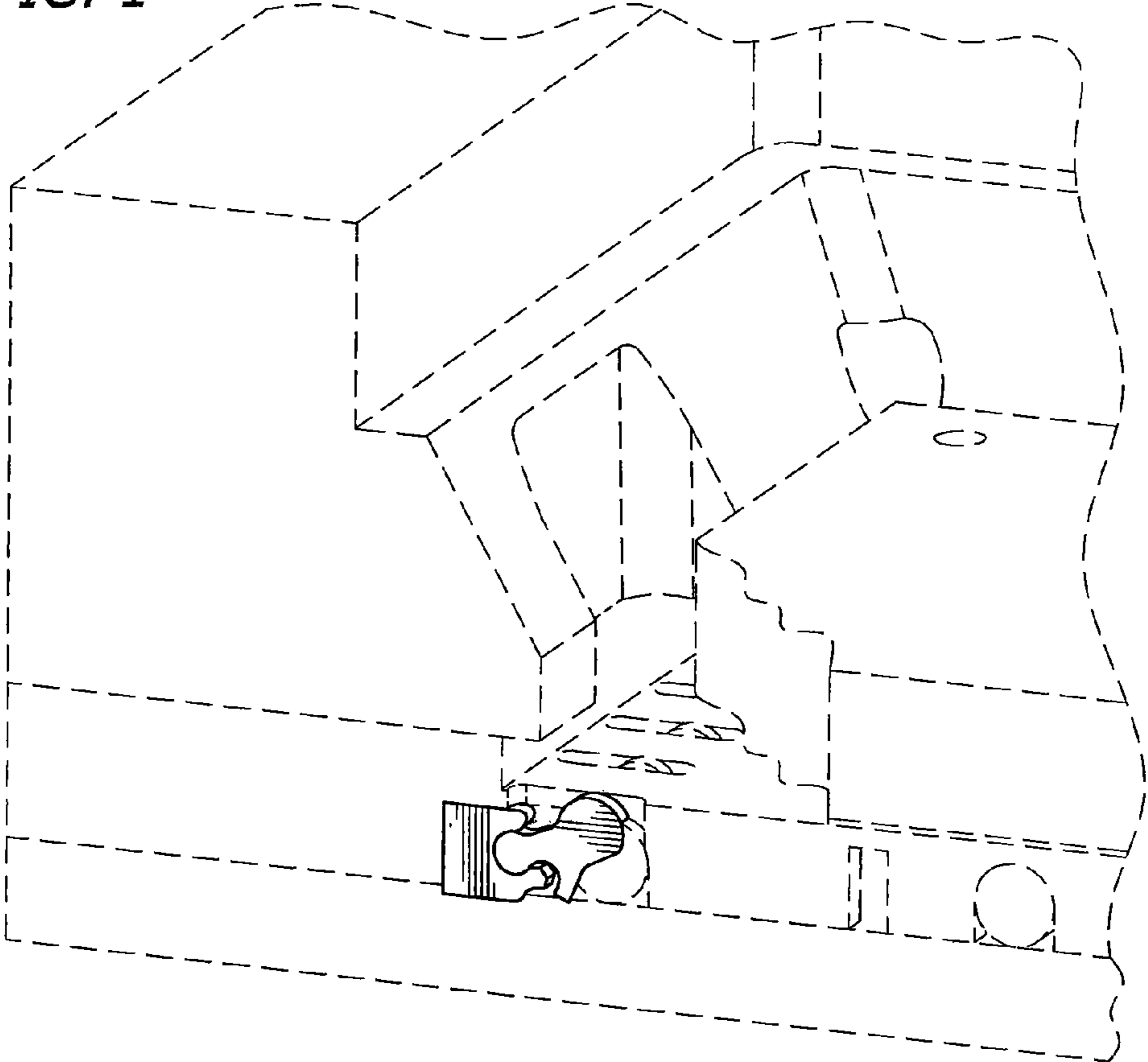


FIG. 2

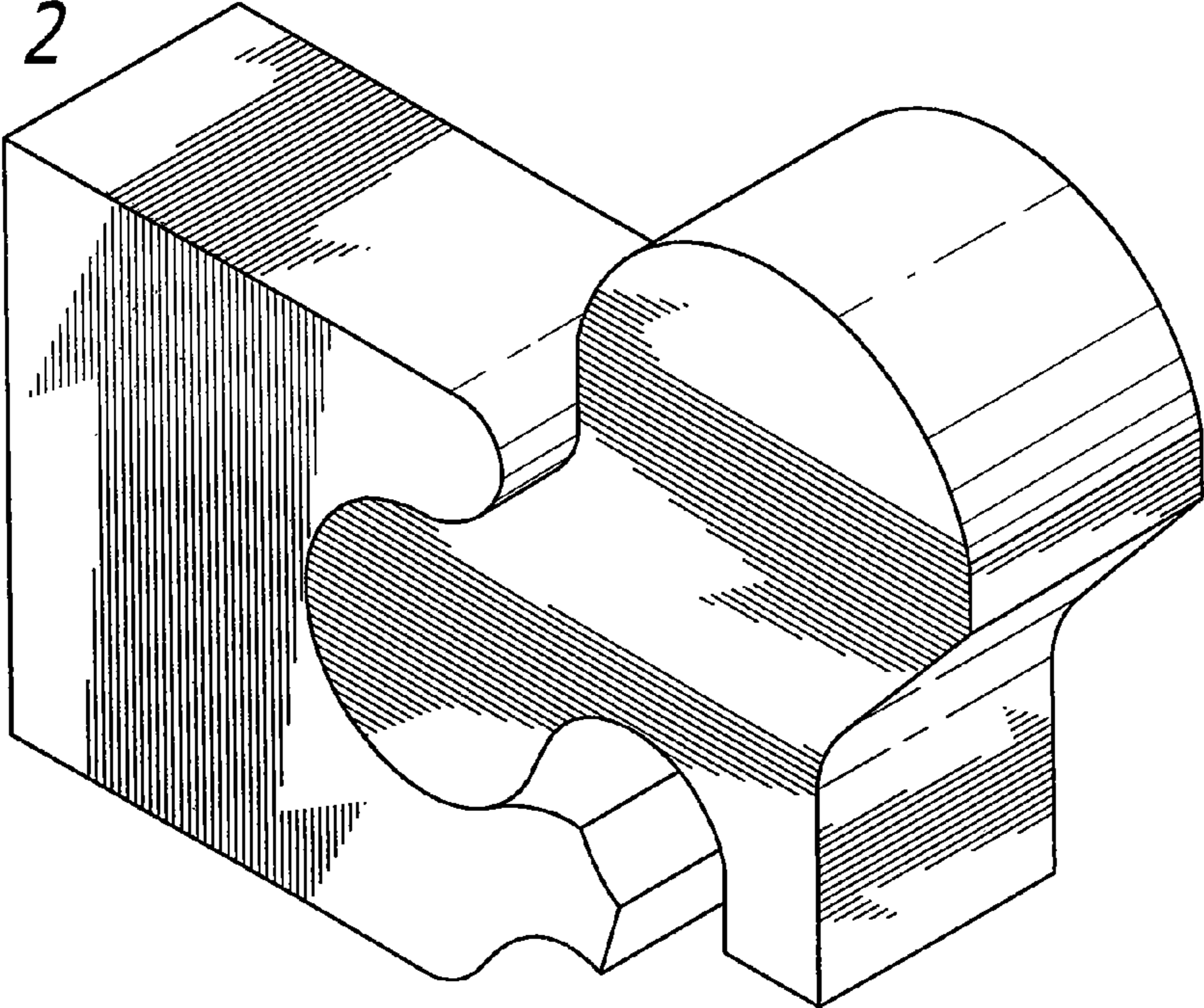


FIG. 3

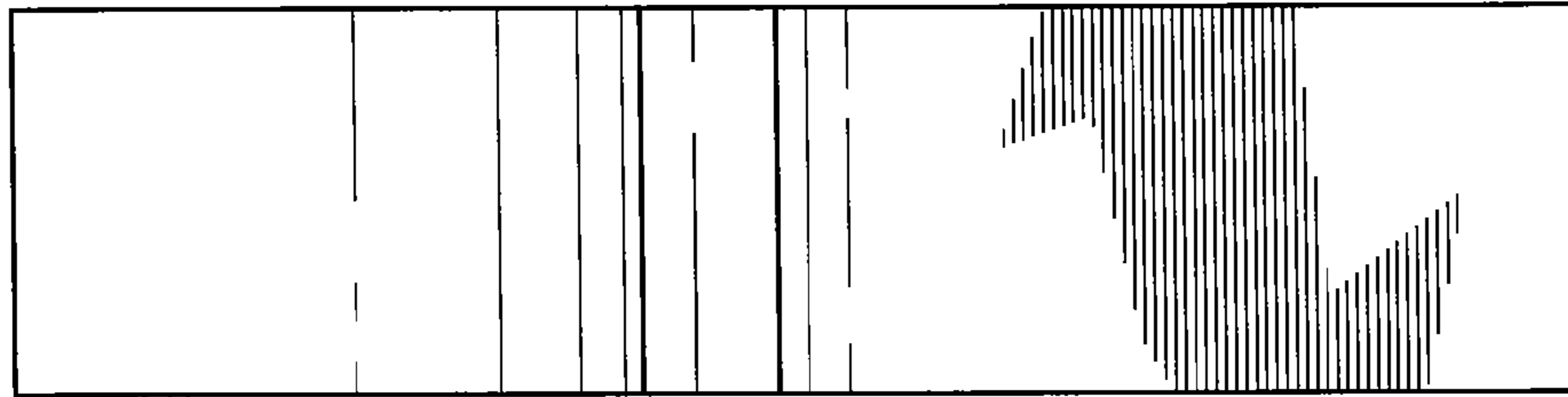


FIG. 4

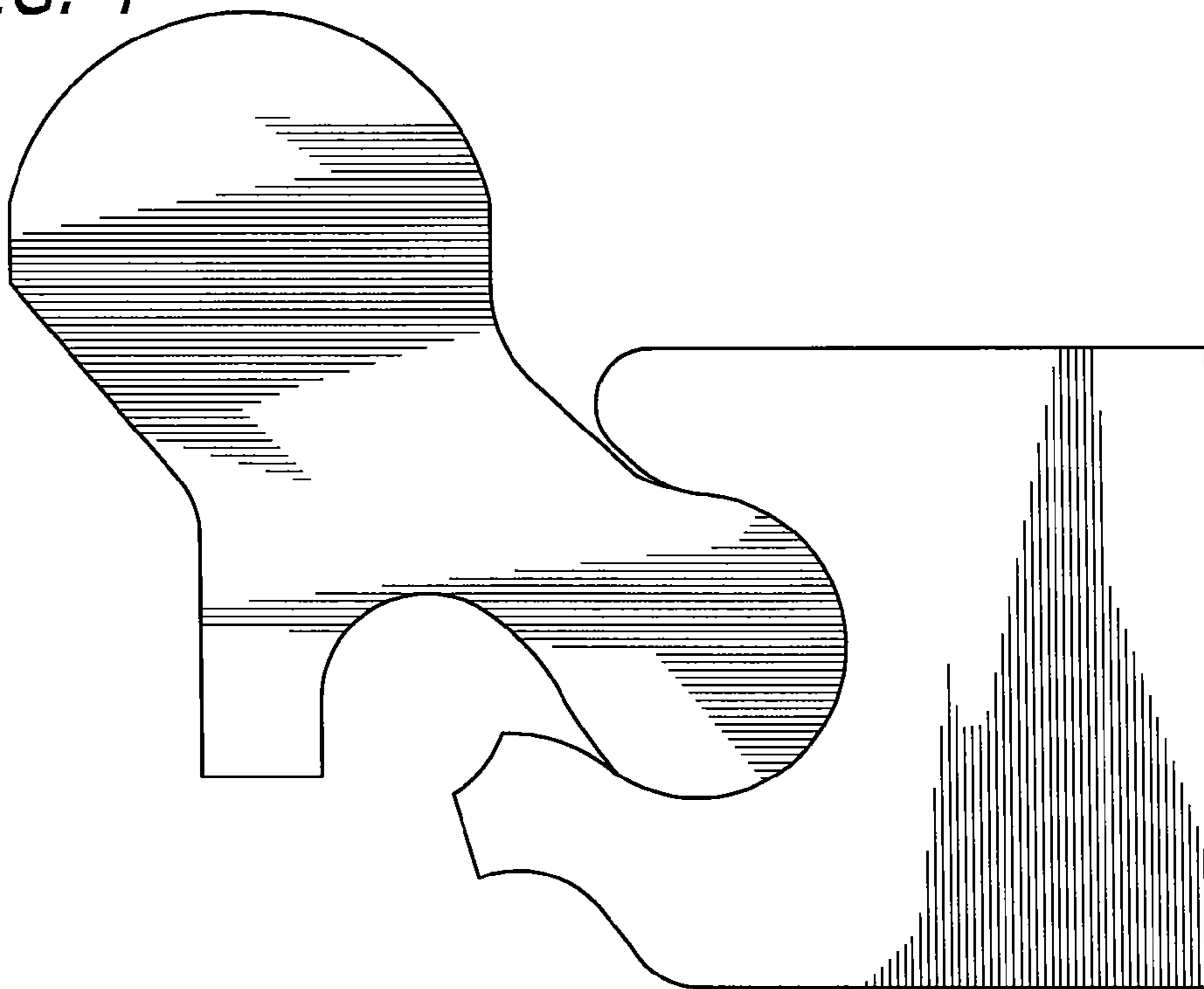


FIG. 5

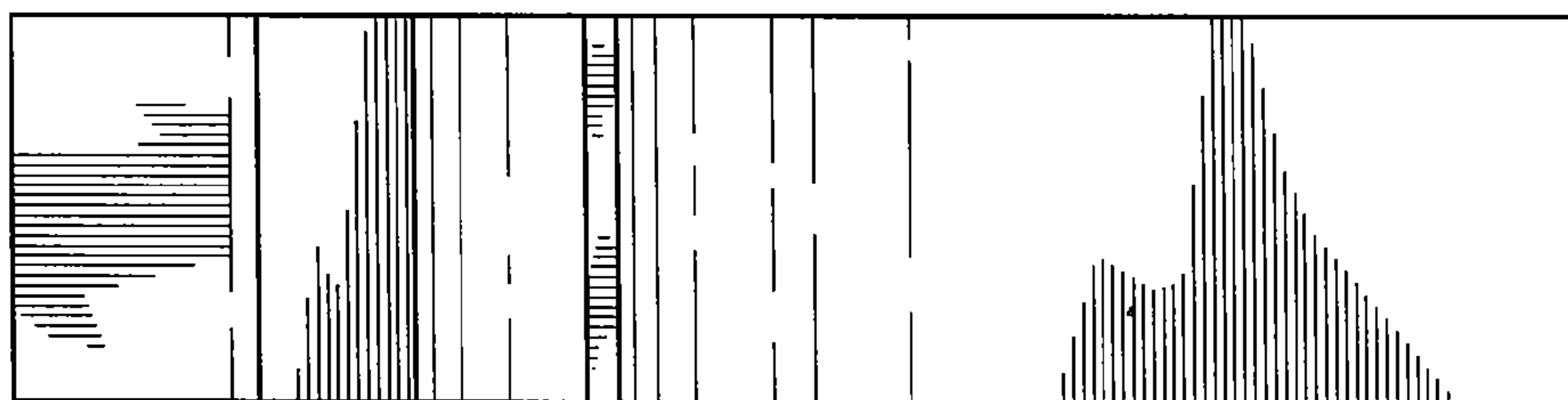


FIG. 6

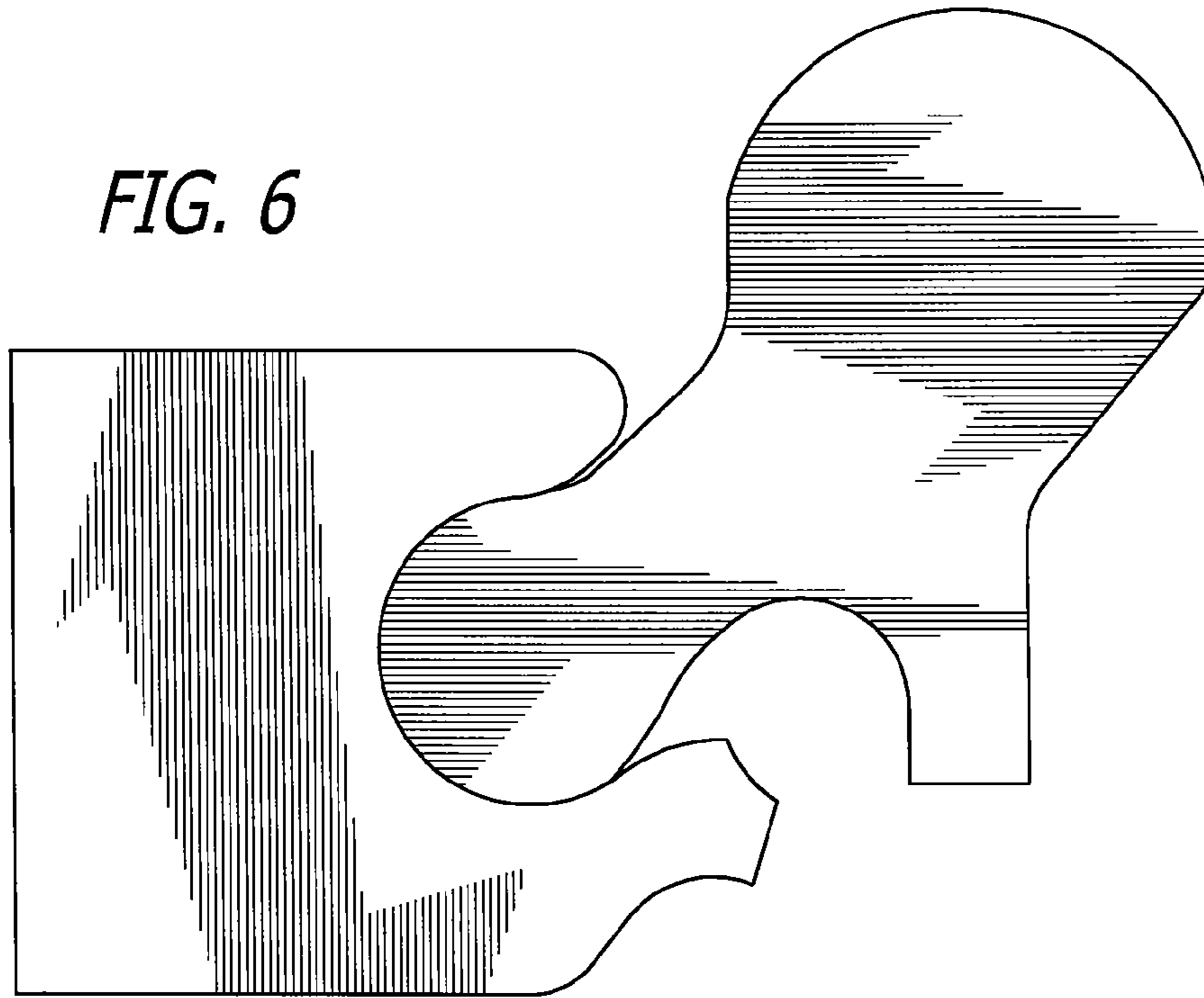


FIG. 7

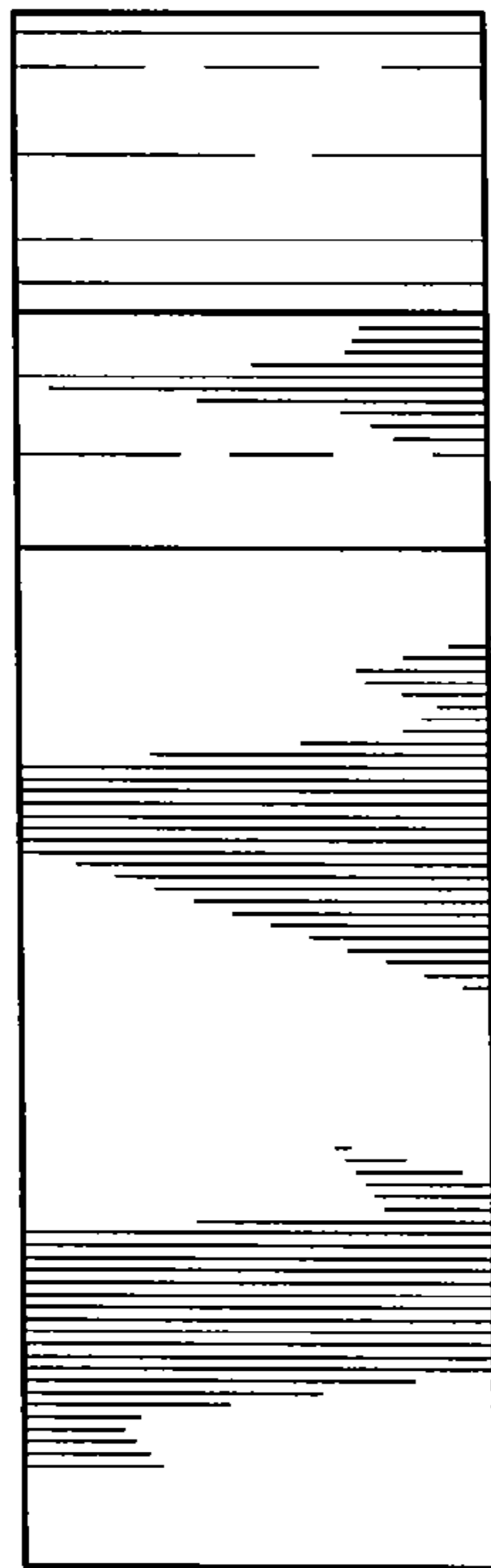


FIG. 8

