

US00D668624S

(12) **United States Design Patent**
Ko

(10) **Patent No.:** **US D668,624 S**

(45) **Date of Patent:** **** Oct. 9, 2012**

(54) **LIGHT EMITTING DIODE PACKAGE**

(75) Inventor: **Bo-Yu Ko**, New Taipei (TW)

(73) Assignee: **Lextar Electronics Corp.**, Hsinchu (TW)

(**) Term: **14 Years**

(21) Appl. No.: **29/406,971**

(22) Filed: **Nov. 21, 2011**

(30) **Foreign Application Priority Data**

Jul. 25, 2011 (TW) 100303833

(51) **LOC (9) Cl.** **13-03**

(52) **U.S. Cl.** **D13/180**

(58) **Field of Classification Search** D13/180;
D26/2; 257/79, 80, 81, 88, 89, 95, 98, 99,
257/100, E33.058; 313/483, 498, 500; 362/555,
362/800

See application file for complete search history.

(56) **References Cited**

U.S. PATENT DOCUMENTS

D607,853 S * 1/2010 Kong D13/180
D608,308 S * 1/2010 Hsieh D13/180

D608,309 S * 1/2010 Kim D13/180
D621,801 S * 8/2010 Hsieh D13/180
D628,541 S * 12/2010 Lin D13/180
D630,777 S * 1/2011 Lee D26/24
D632,267 S * 2/2011 Chen et al. D13/180
D634,284 S * 3/2011 Ko et al. D13/180
D634,285 S * 3/2011 Ko et al. D13/180
D634,286 S * 3/2011 Ko et al. D13/180
D638,378 S * 5/2011 Ko et al. D13/180

* cited by examiner

Primary Examiner — Selina Sikder

(74) *Attorney, Agent, or Firm* — Schmeiser Olsen & Watts LLP

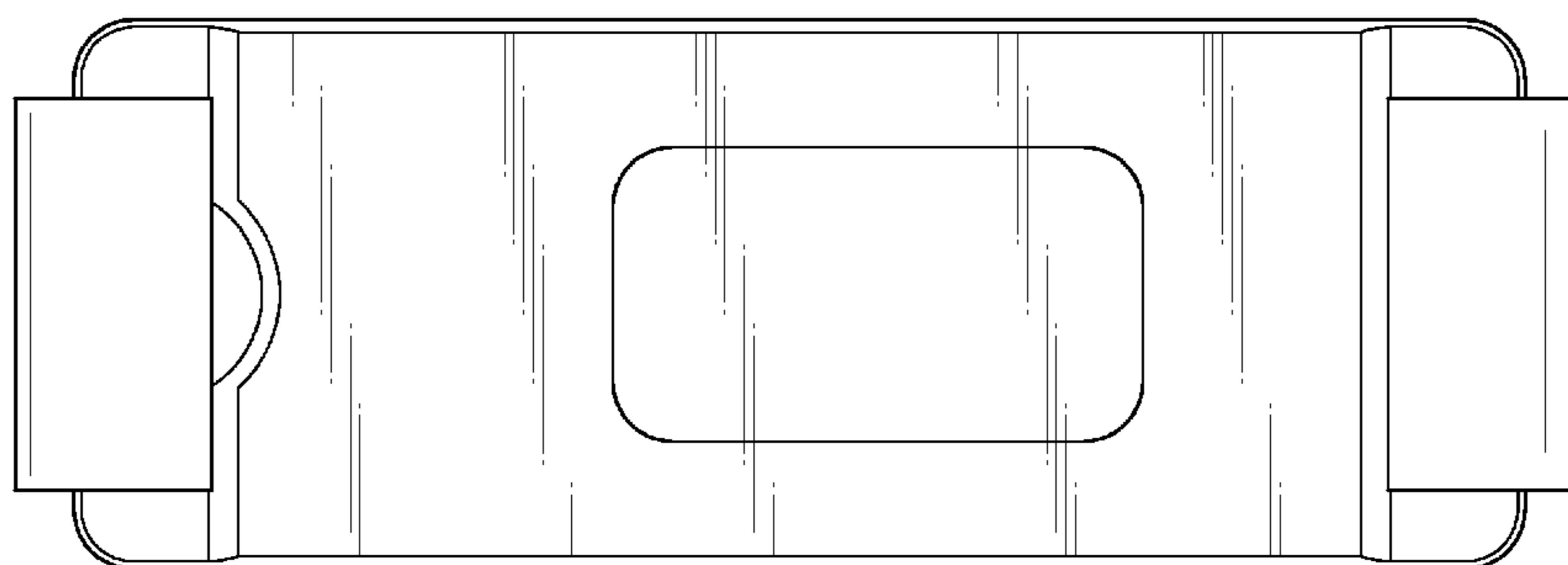
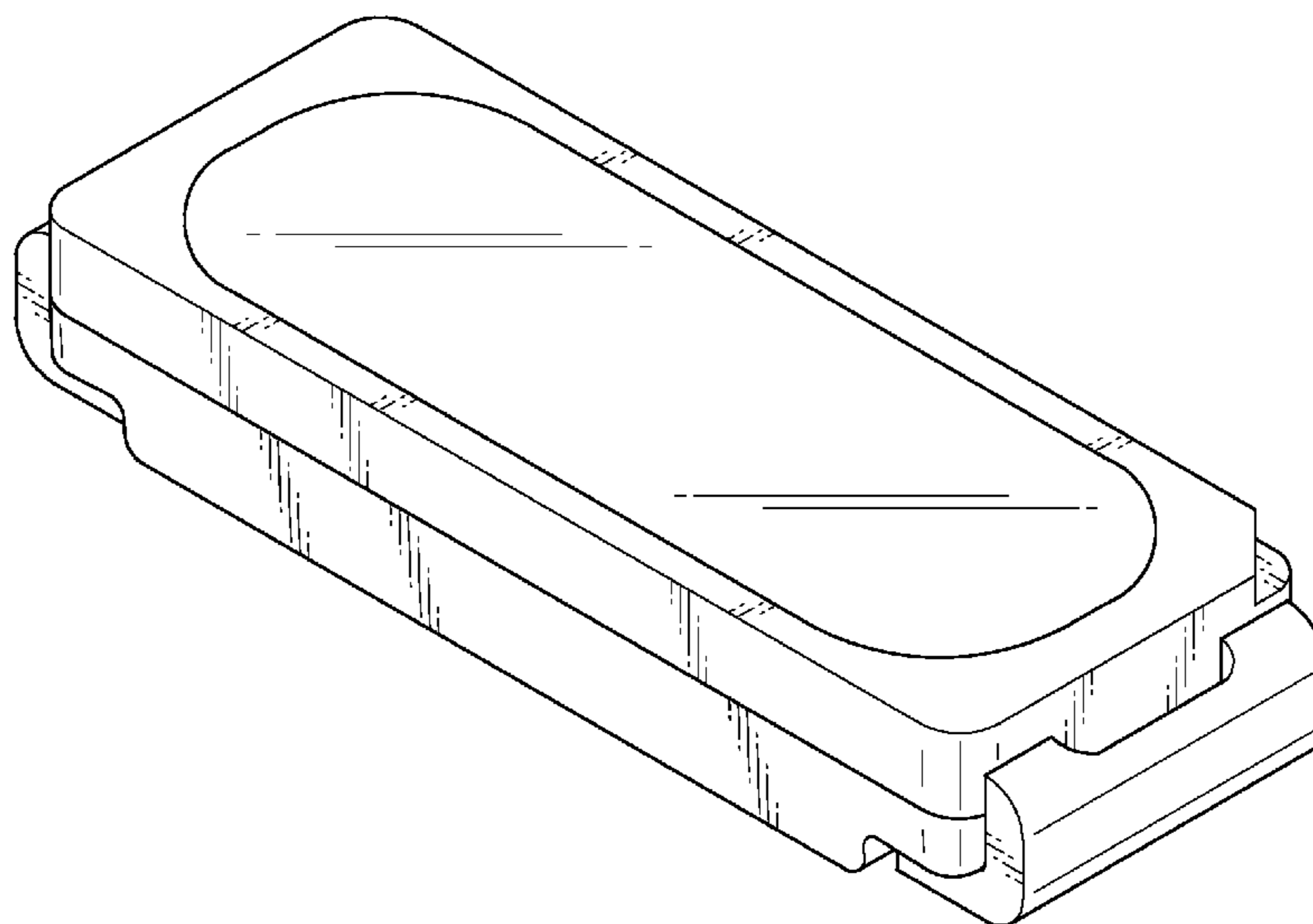
(57) **CLAIM**

I claim the ornamental design for light emitting diode package, as shown and described.

DESCRIPTION

FIG. 1 is a front perspective view of light emitting diode package showing the new design;
FIG. 2 is a front elevational view thereof;
FIG. 3 is a rear elevational view thereof;
FIG. 4 is a left side elevational view thereof;
FIG. 5 is a right side elevational view thereof;
FIG. 6 is a top plan view thereof; and,
FIG. 7 is a bottom plan view thereof.

1 Claim, 7 Drawing Sheets



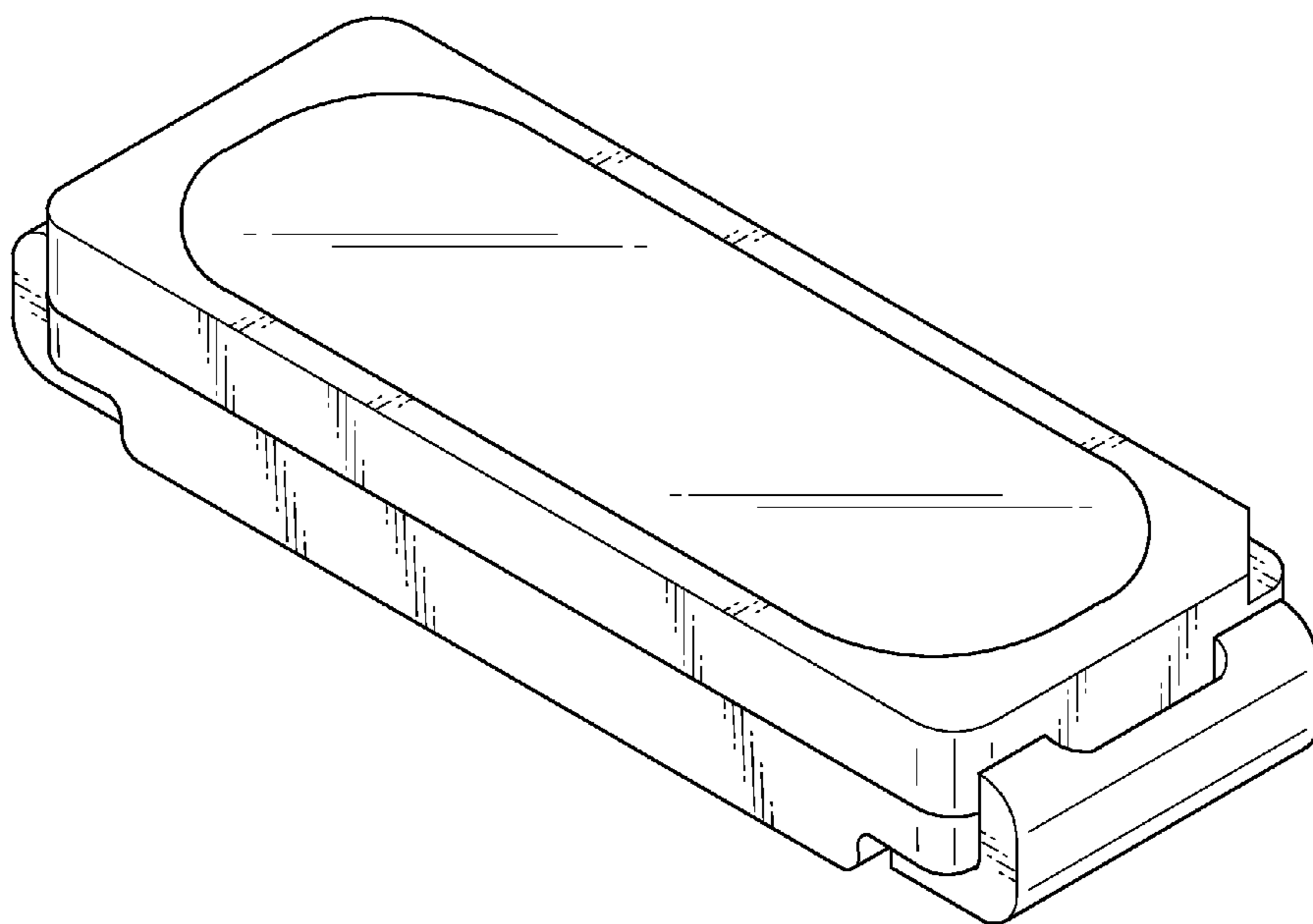


FIG.1

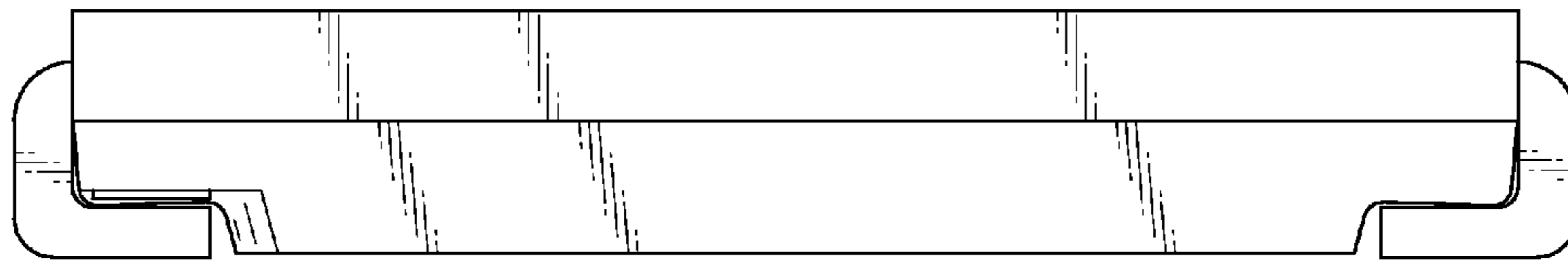


FIG.2

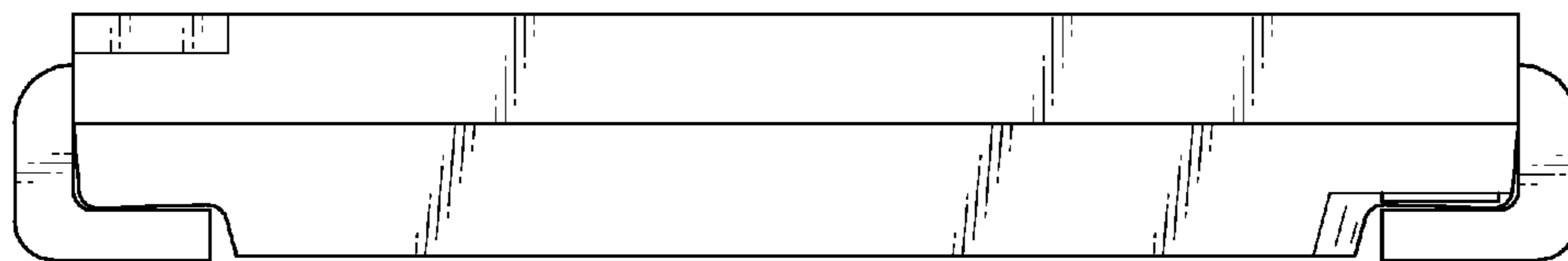


FIG.3

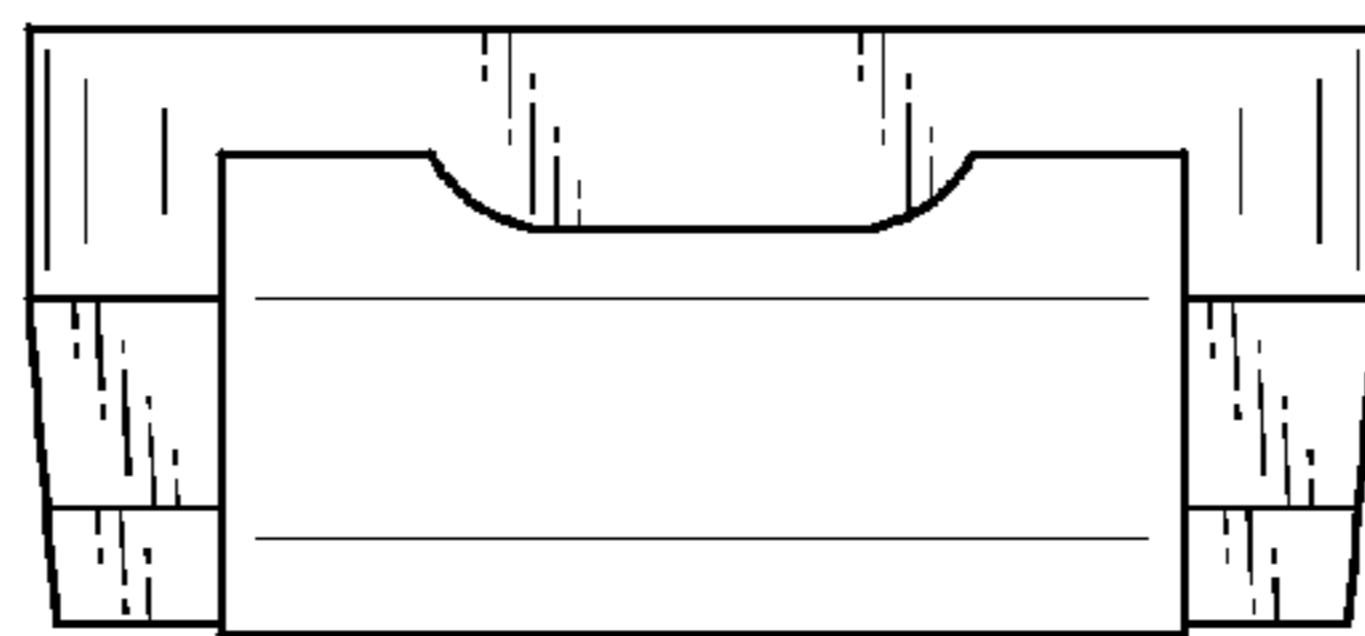


FIG.4

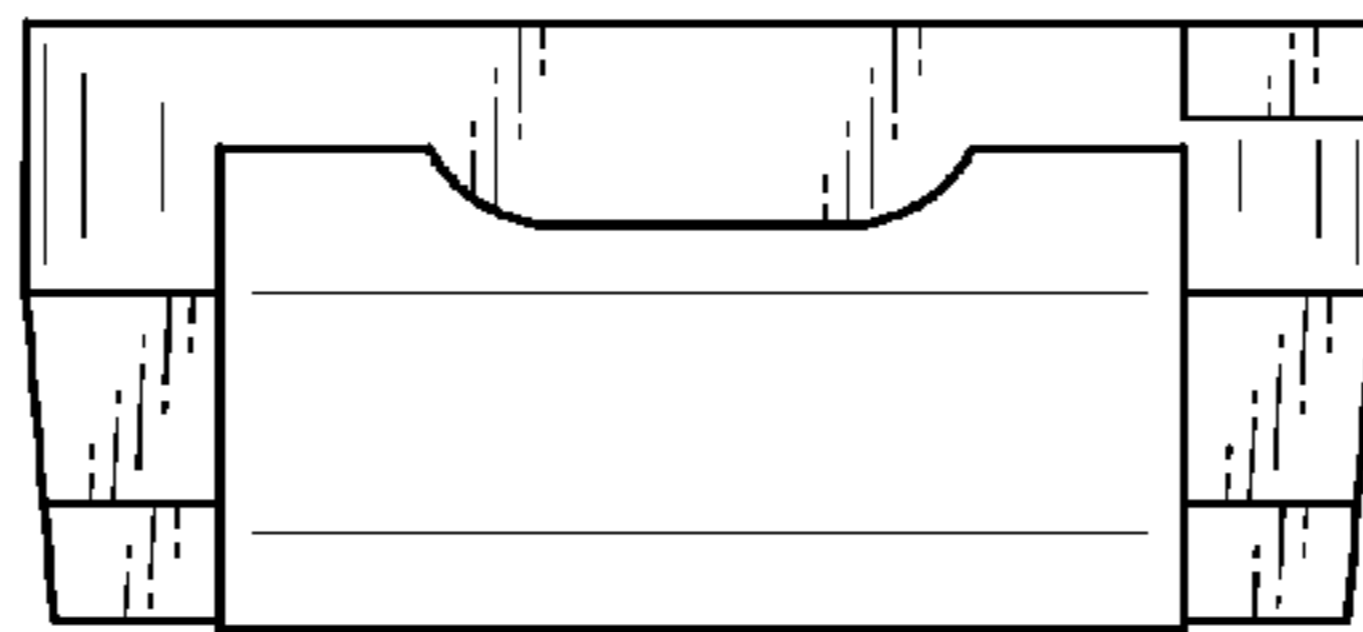


FIG.5

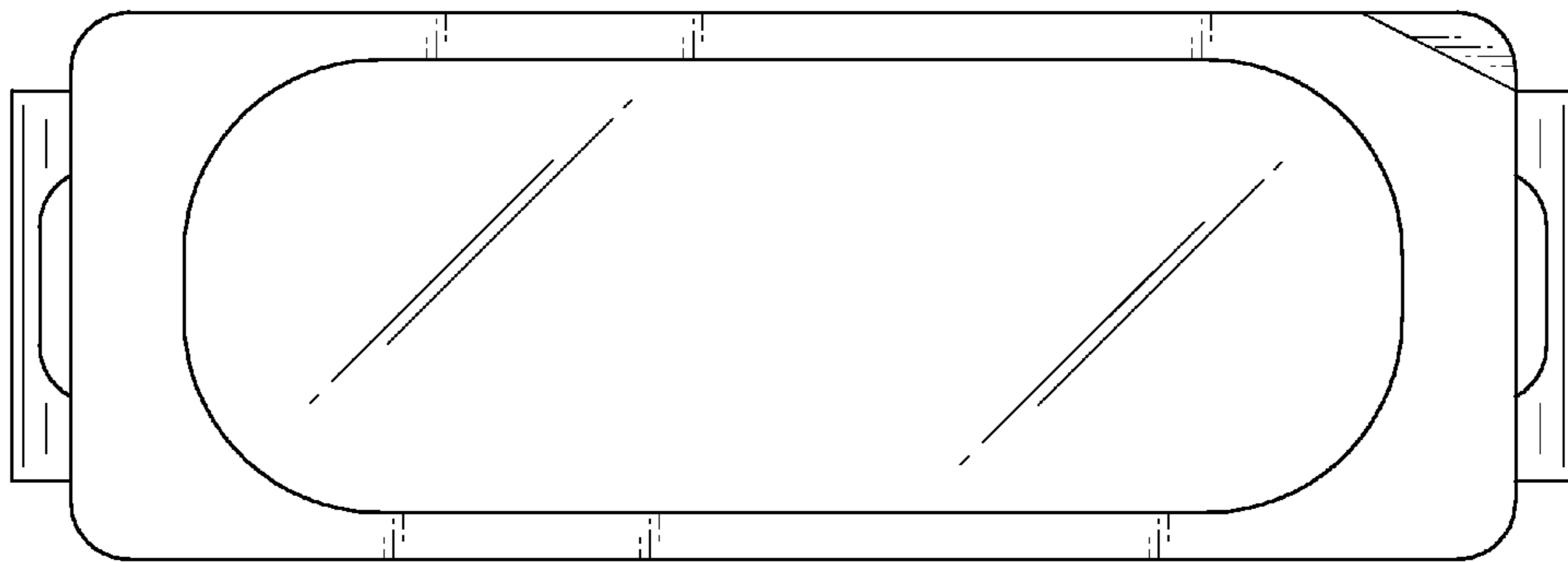


FIG.6

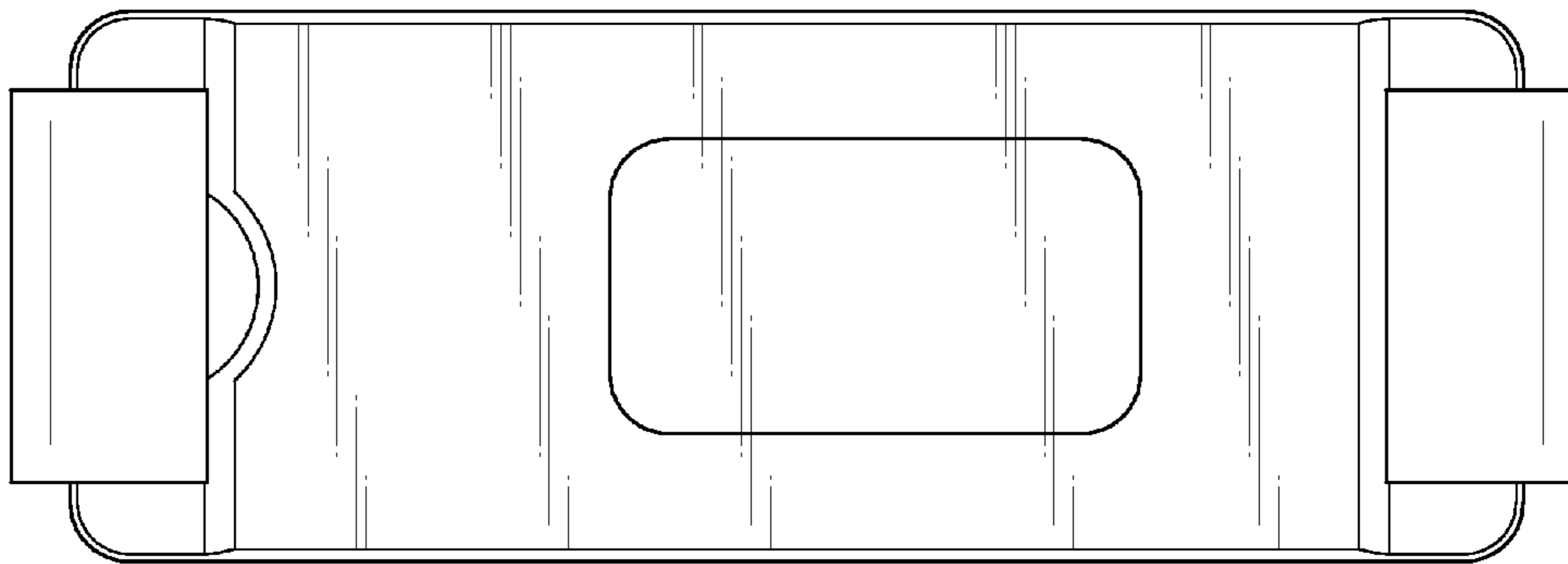


FIG. 7