

US00D668622S

(12) **United States Design Patent**
Akagawa

(10) **Patent No.:** **US D668,622 S**

(45) **Date of Patent:** **** Oct. 9, 2012**

(54) **LIGHT EMITTING DIODE**

(75) Inventor: **Seitaro Akagawa**, Komatsushima (JP)

(73) Assignee: **Nichia Corporation** (JP)

(**) Term: **14 Years**

(21) Appl. No.: **29/367,619**

(22) Filed: **Aug. 10, 2010**

(30) **Foreign Application Priority Data**

Feb. 26, 2010	(JP)	2010-04593
Feb. 26, 2010	(JP)	2010-04594
Feb. 26, 2010	(JP)	2010-04599
Feb. 26, 2010	(JP)	2010-04600

(51) **LOC (9) Cl.** **13-03**

(52) **U.S. Cl.** **D13/180**

(58) **Field of Classification Search** D13/180;
D26/1, 2; 257/79, 80, 81, 88, 89, 95, 98,
257/99, 100, E33.058; 313/483, 498, 500;
362/555, 800

See application file for complete search history.

(56) **References Cited**

U.S. PATENT DOCUMENTS

D478,879 S *	8/2003	Imai	D13/182
6,834,977 B2 *	12/2004	Suehiro et al.	362/187

D578,083 S *	10/2008	Shimonishi et al.	D13/180
D578,490 S *	10/2008	Lee et al.	D13/180
7,445,354 B2 *	11/2008	Aoki et al.	362/241
D610,100 S *	2/2010	Chang et al.	D13/180
D621,801 S *	8/2010	Hsieh	D13/180
2007/0295970 A1 *	12/2007	Chang	257/79
2011/0012151 A1 *	1/2011	Ono	257/98

* cited by examiner

Primary Examiner — Selina Sikder

(74) *Attorney, Agent, or Firm* — SAIDMAN DesignLaw Group

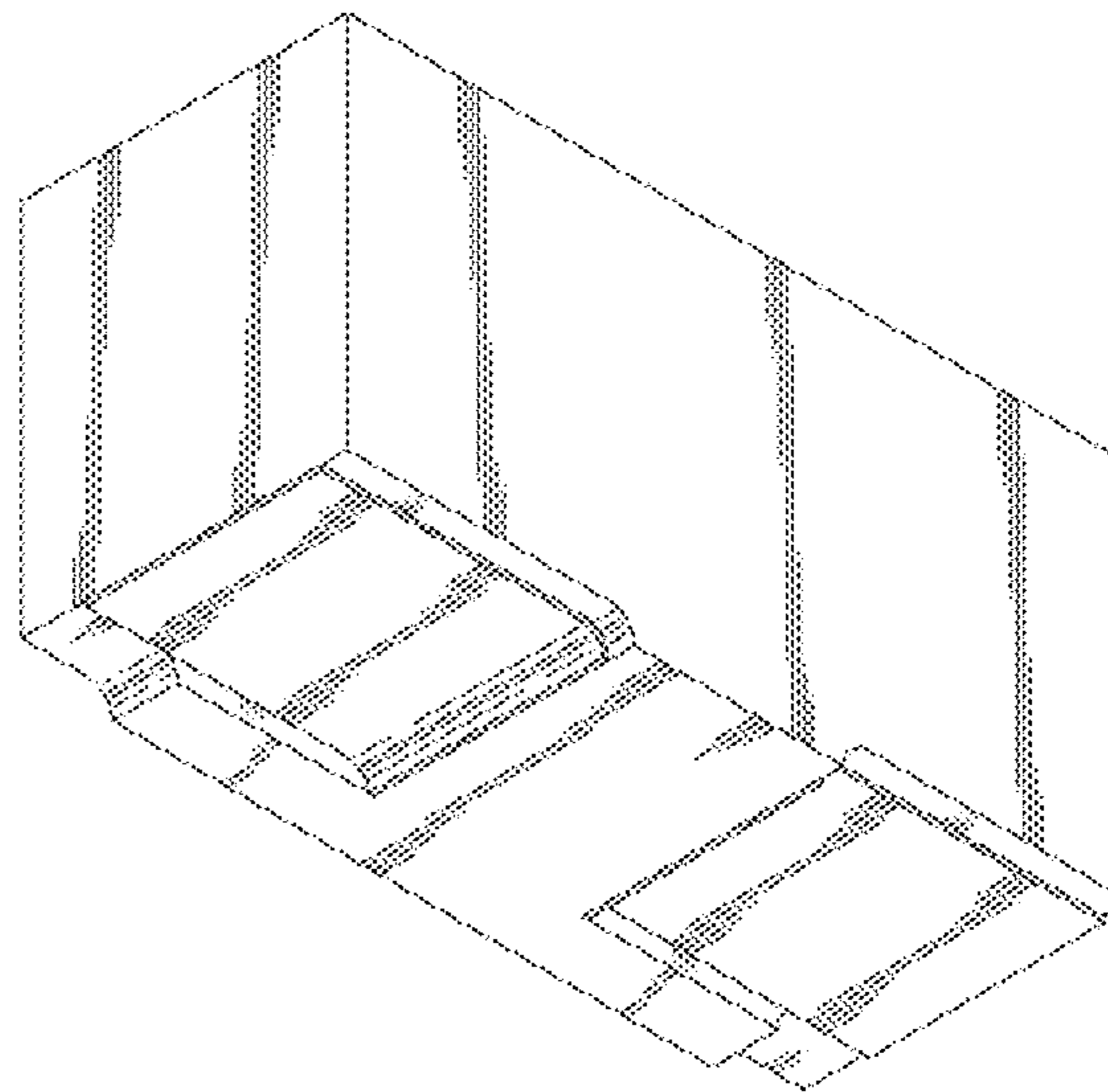
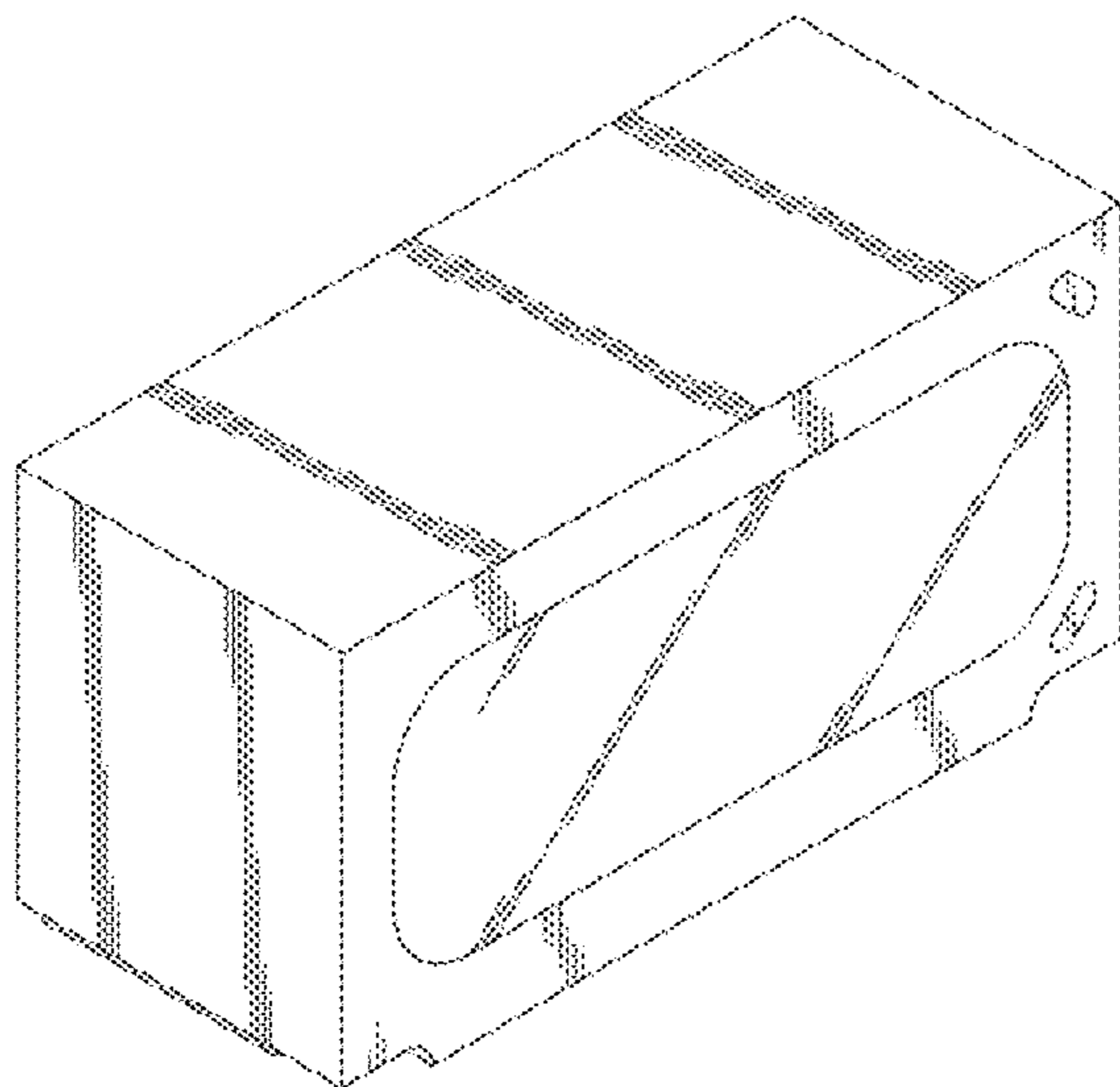
(57) **CLAIM**

The ornamental design for a light emitting diode, as shown and described.

DESCRIPTION

FIG. 1 is a front, top, left side perspective of a light emitting diode showing my new design;
FIG. 2 is a rear, bottom, left side perspective view thereof;
FIG. 3 is a front elevational view thereof;
FIG. 4 is a rear elevational view thereof;
FIG. 5 is a top plan view thereof;
FIG. 6 is a bottom plan view thereof;
FIG. 7 is a right side elevational view thereof; and,
FIG. 8 is a left side elevational view thereof.
The diagonal shade lines indicate translucency.

1 Claim, 8 Drawing Sheets



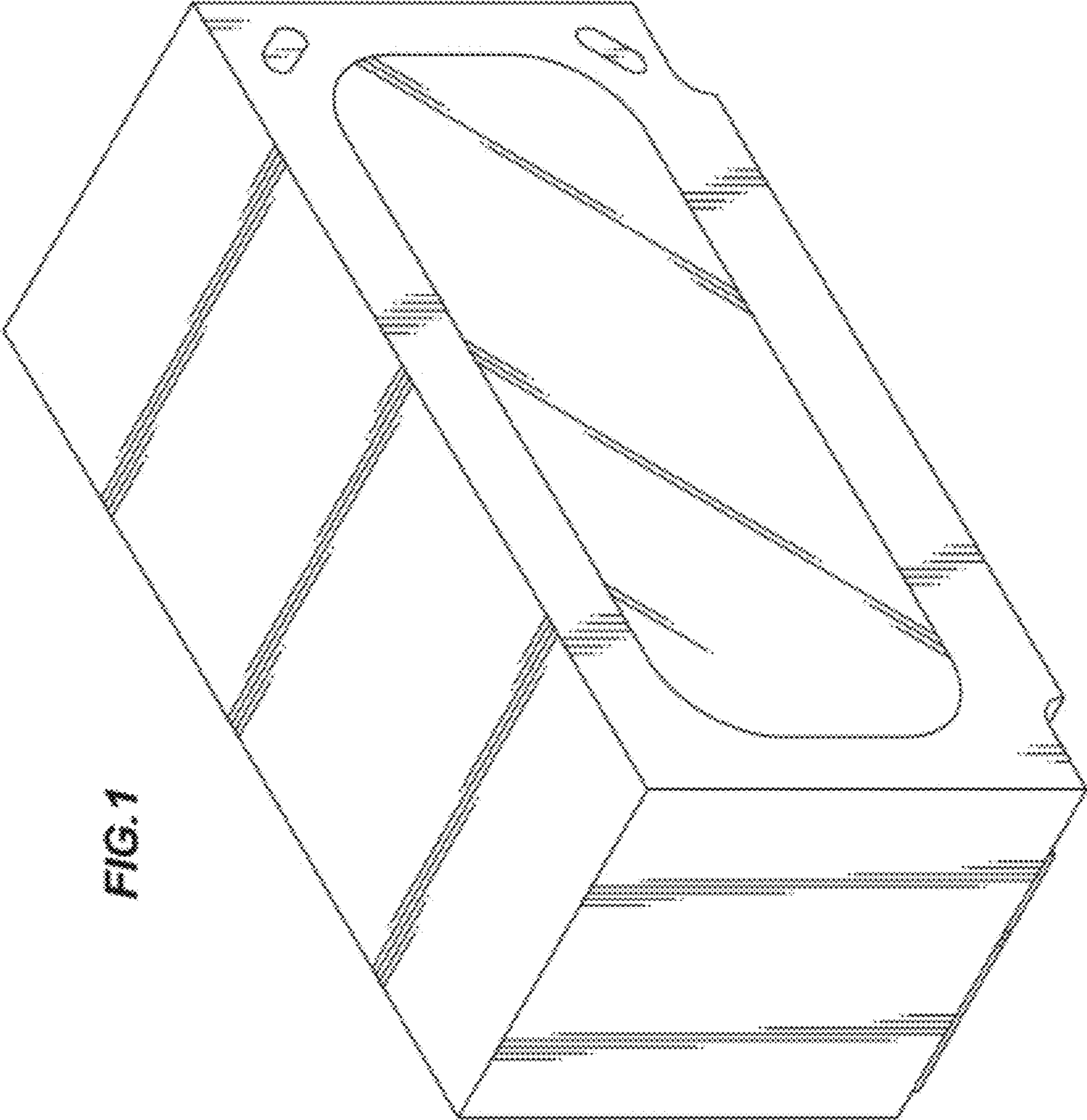


FIG. 1

FIG. 2

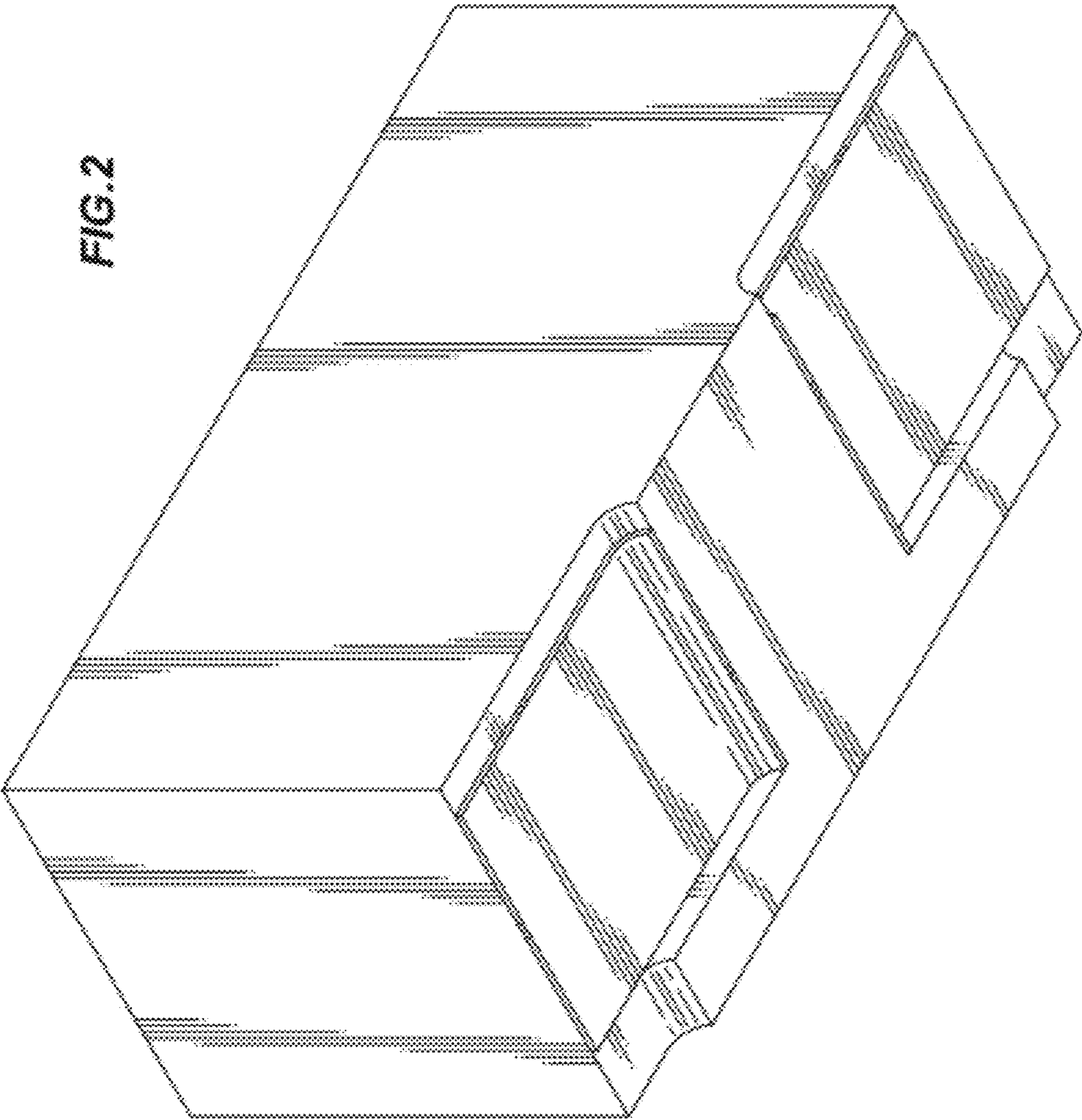


FIG. 3

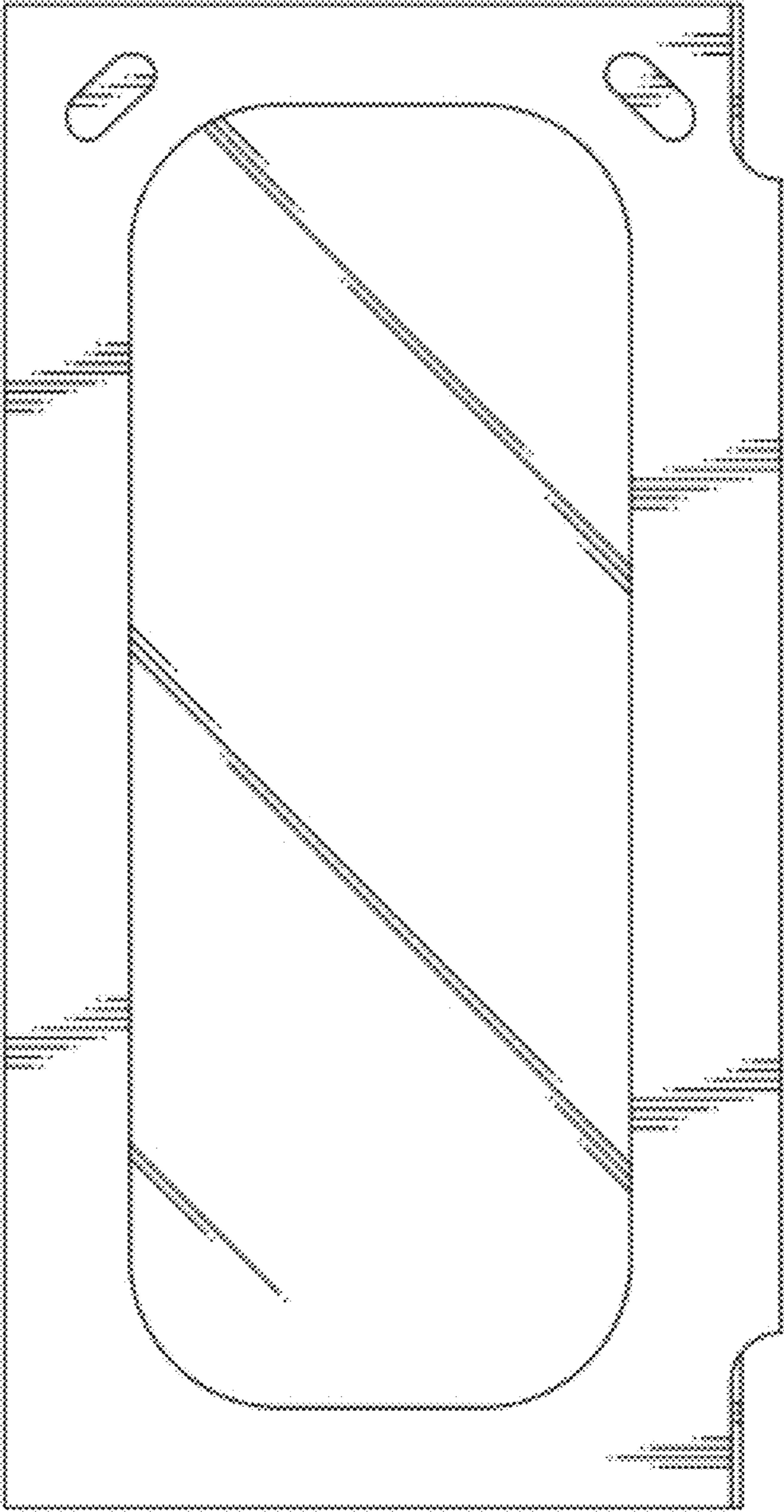


FIG. 4

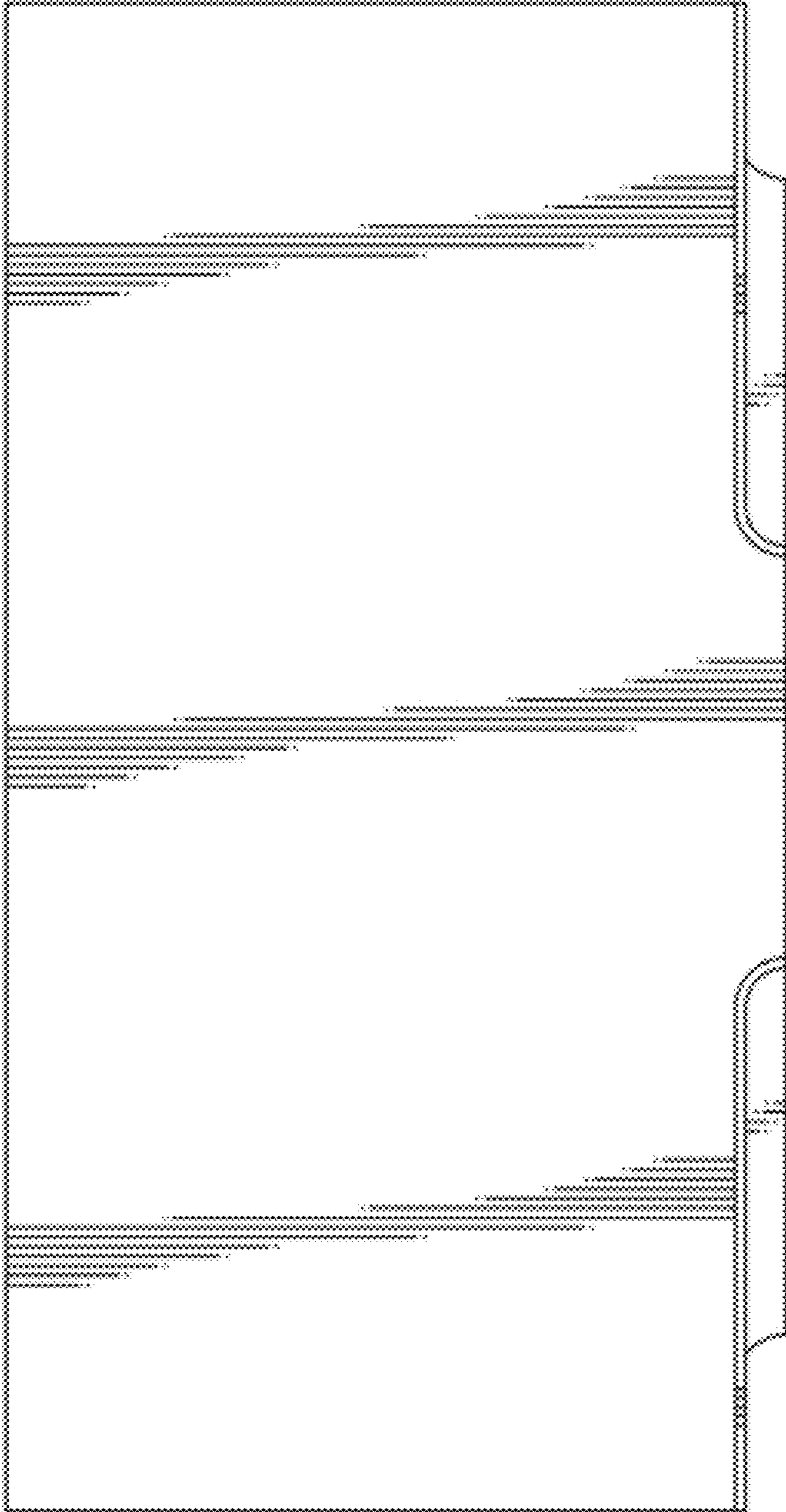


FIG. 5

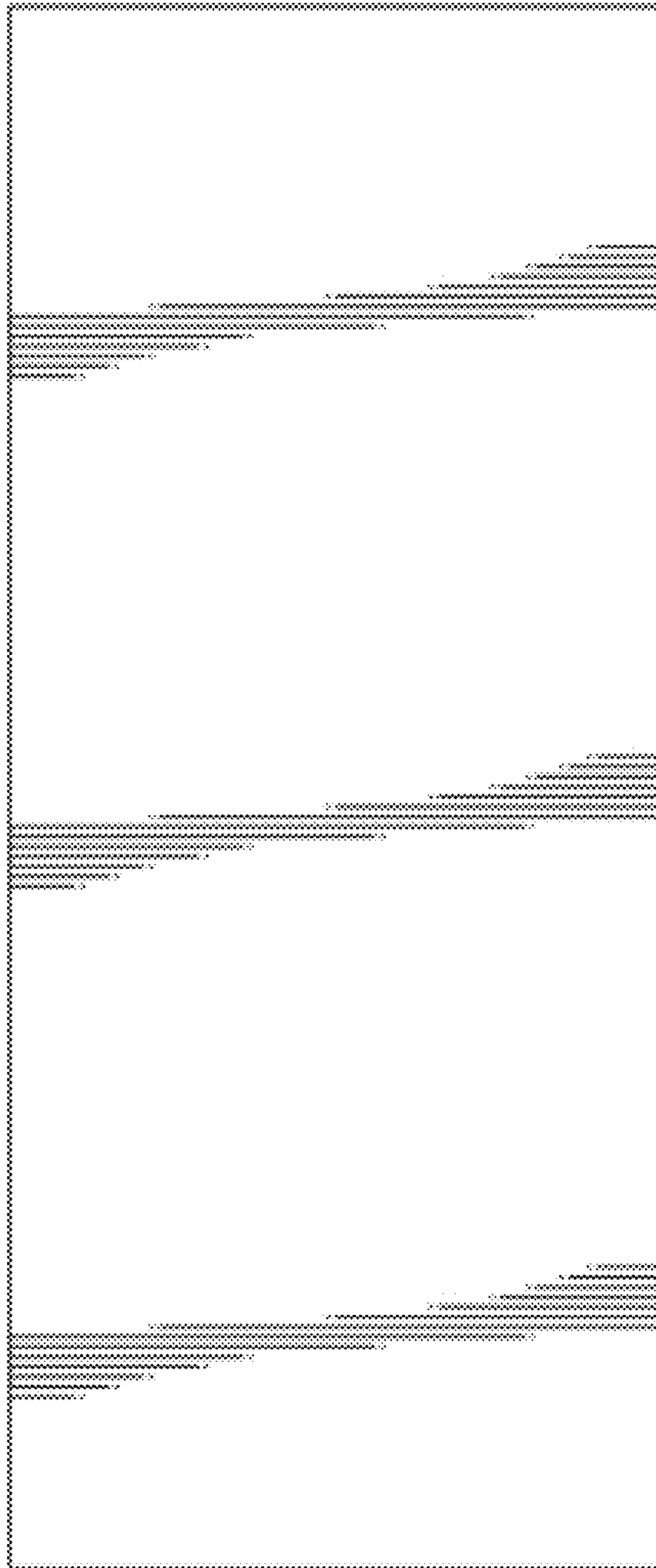


FIG. 6

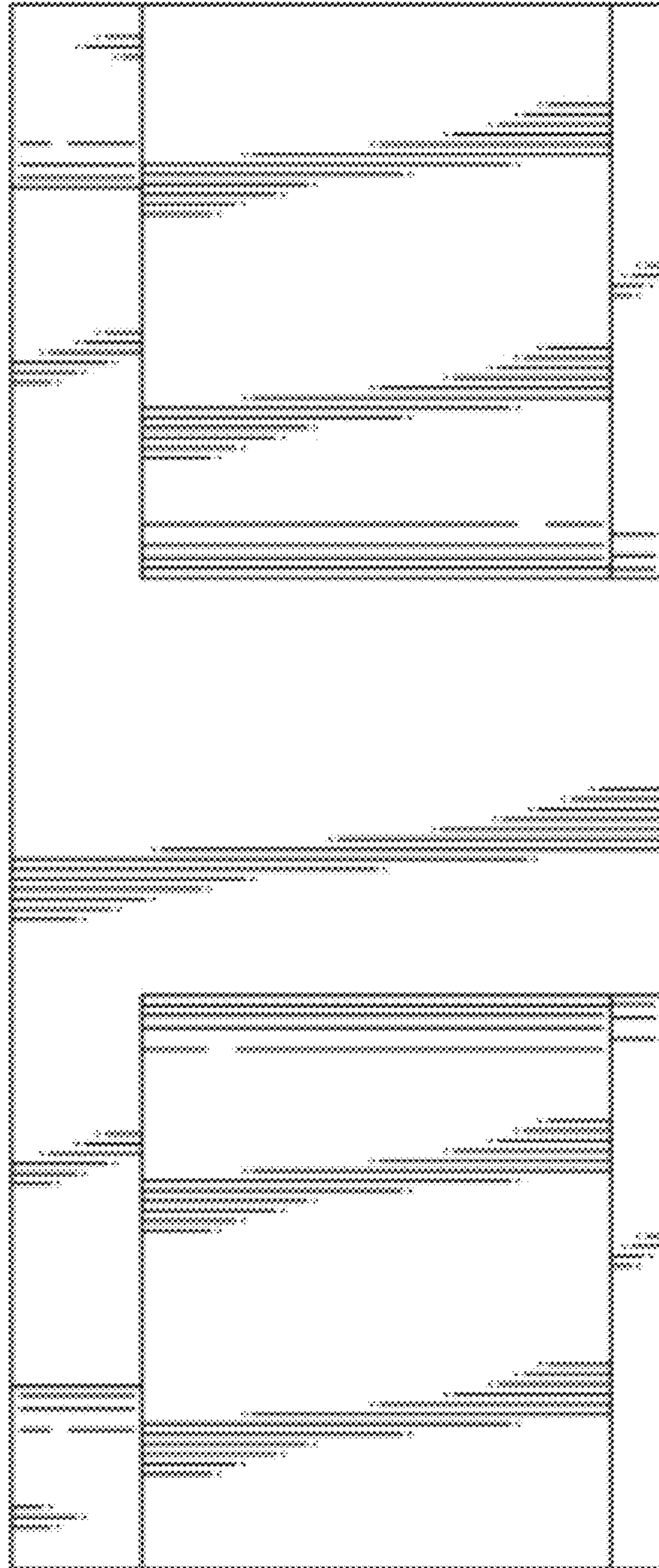


FIG. 7

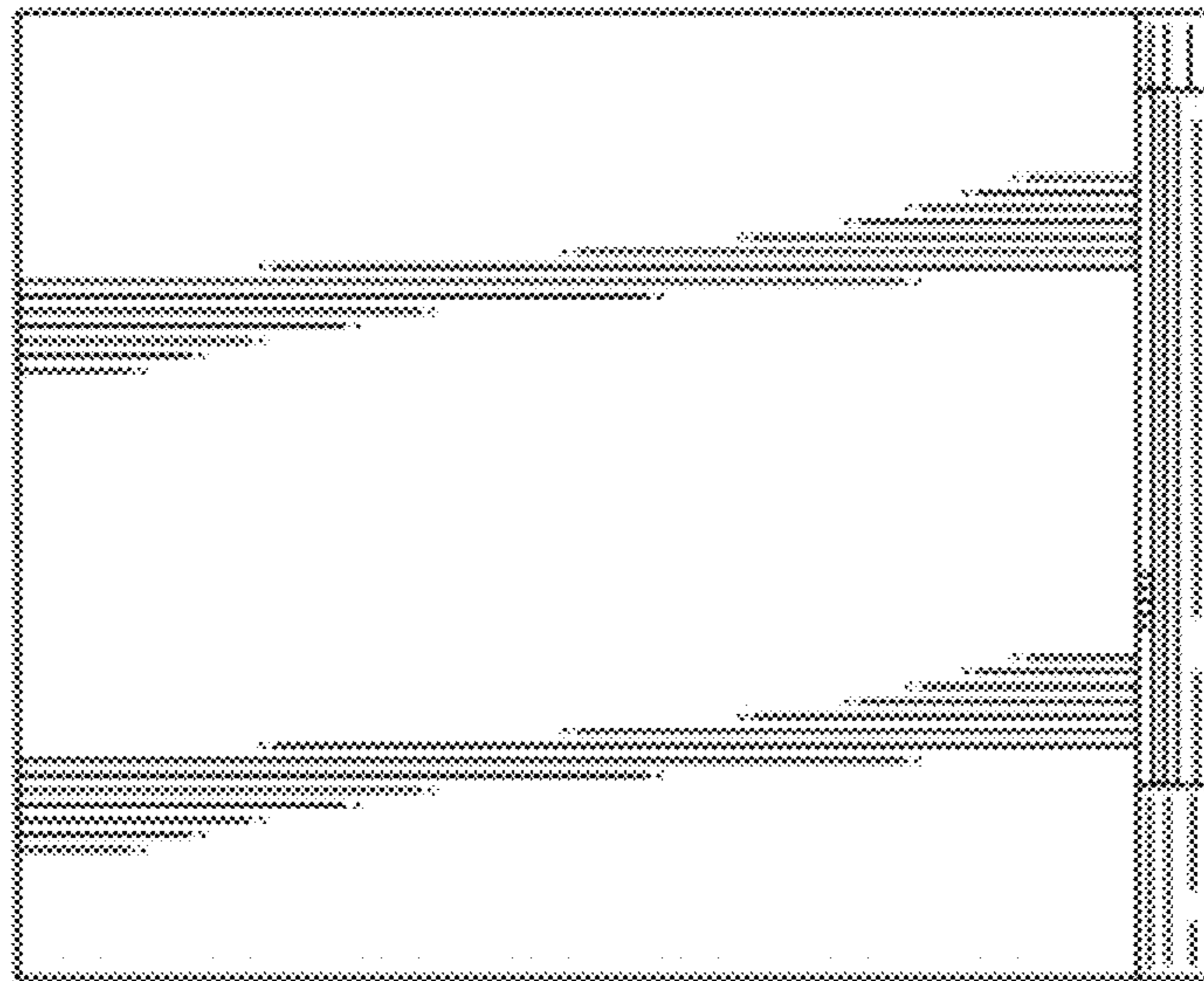


FIG. 8

